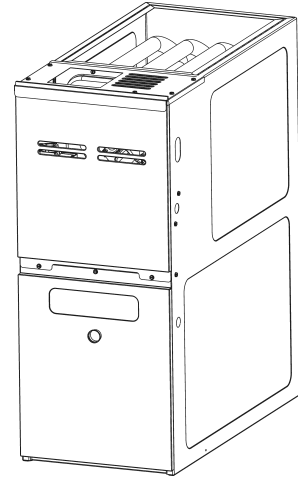


AMES 80% High Efficient Upflow Furnace

AMES800403AXAA
AMES800603AXAA
AMES800603BNAA
AMES800604BXAA
AMES800803BXAA
AMES800804BXAA
AMES800804CXAA
AMES800805CXAA
AMES801005CXAA
AMES801205DXAA



Amana® is a registered trademark of Maytag Corporation or its related companies and is used under license. All rights reserved.

This manual is to be used by qualified technicians only.

Important Information

Index

Functional Parts List	3
Illustration and Parts	4 - 9

Views shown are for parts illustrations only, not servicing procedures

Text Codes:

AR - As Required

NA - Not Available

NS - Not Shown

00000000 - See Note

QTY - Quantity Example (QTY 3) (If Quantity not shown, Quantity = 1)

M - Model Example (M1) (If M Code not shown, then part is used on all Models)

Expanded Model Nomenclature:

Example M1 - Model#1 M2 - Model#2 M3 - Model#3

Goodman Company, L.P. is not responsible for personal injury or property damage resulting from improper service. Review all service information before beginning repairs.

Warranty service must be performed by an authorized technician, using authorized factory parts. If service is required after the warranty expires, Goodman Company, L.P. also recommends contacting an authorized technician and using authorized factory parts.

Goodman Company, L.P. reserves the right to discontinue, or change at any time, specifications or designs without notice or without incurring obligations.

For assistance within the U.S.A. contact:

Homeowner Support
Goodman Company, L.P.
19001 Kermier Road
Waller, Texas 77484
877-254-4729-Telephone
713-863-2382-Facsimile

For assistance outside the U.S.A. contact:

International Division
Goodman Company, L.P.
19001 Kermier Road
Waller, Texas 77484
713-861-2500-Telephone
713-863-2382-Facsimile

Functional Parts

Part

No: Description:

20162904 *PRIMARY LIMIT-TEMPERATURE CONTROL
(M2, M3, M4, M5, M6, M9)
*Refer to service bulletin SF-054

0130F00038 AUX LIMIT - LT BLUE 120^o

B1368034 BLOWER WHEEL (10 X 6) (M1, M2)

B1368000 BLOWER WHEEL (11 X 10) (M10)

PCBBF145 CIRCUIT BOARD

0130F00010 FLAME SENSOR

0151M00037 GAS VALVE

10690402 INTERLOCK SWITCH

20162903 LIMIT (M7, M8, M10)

20162901 LIMIT (M1)

10123529 MANUAL RESET R.O.S. LIMIT (QTY 2)

0131F00122 MOTOR, PROGRAM-X13 (M3)

0131F00126 MOTOR, PROGRAM-X13 (M7)

0131F00129 MOTOR, PROGRAM-X13 (M10)

0131F00120 MOTOR, PROGRAM-X13 (M1, M2)

0131F00127 MOTOR, PROGRAM-X13 (M8)

0131F00125 MOTOR, PROGRAM-X13 (M6)

0131F00124 MOTOR, PROGRAM-X13 (M5)

0131F00123 MOTOR, PROGRAM-X13 (M4)

0131F00128 MOTOR, PROGRAM-X13 (M9)

0131M00002P MOTOR, VENT 80+

0130F00008 SINI IGNITOR

0130F00506 SWITCH, PRESSURE (M2, M3, M4, M7, M8)

0130F00507 SWITCH, PRESSURE (M10)

0130F00505 SWITCH, PRESSURE (M1, M5, M6, M9)

0130M00140 TRANSFORMER,(120V TO 24V,40VA,

0150M00042 WHEEL, BLOWER (10 X 10) (M7, M8, M9)

0150M00043 WHEEL, BLOWER (10 X 8) (M3, M4, M5, M6)

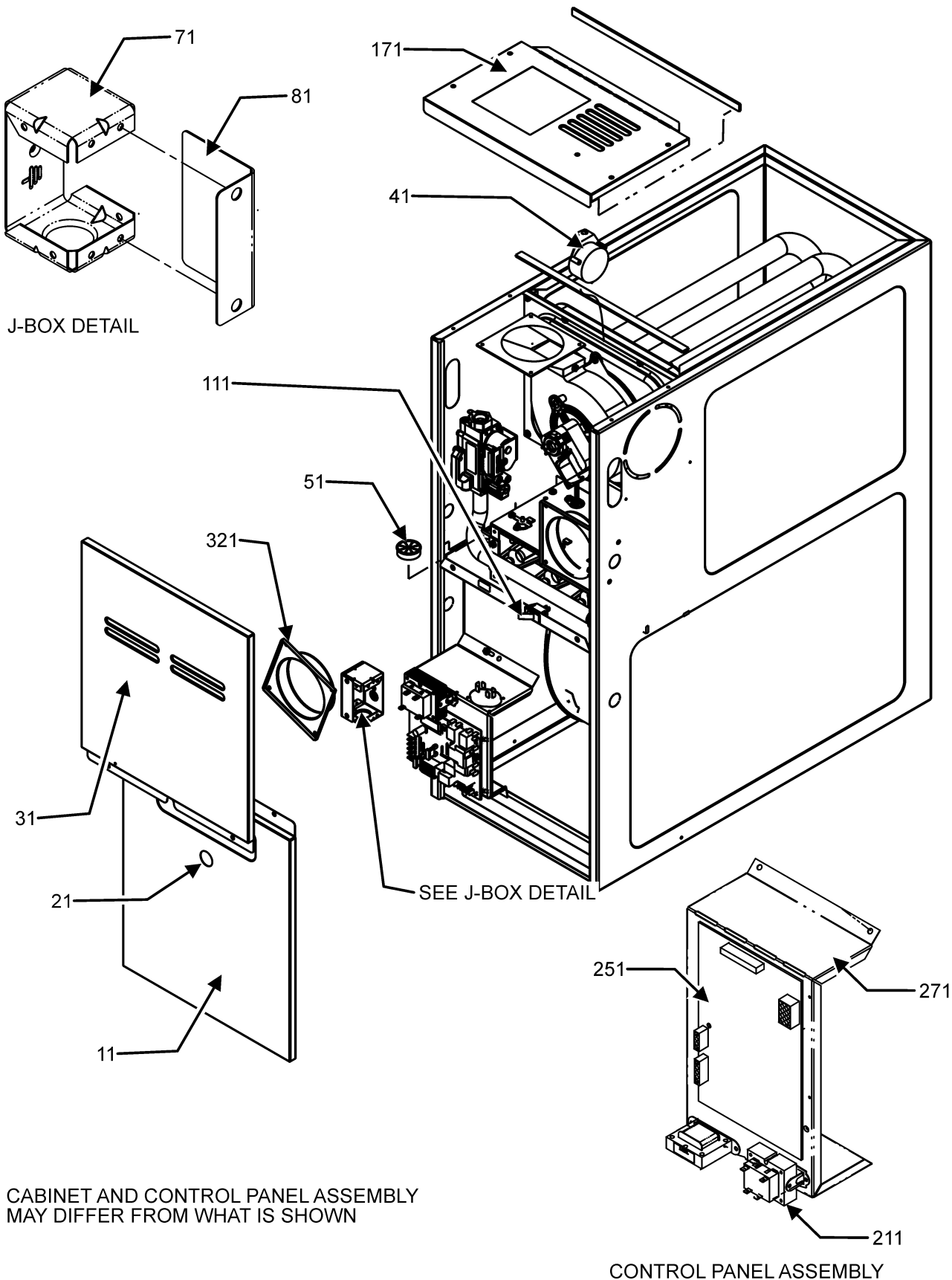
SPECIAL PARTS

0161F00006 AMANA NAMEPLATE

Expanded Model Nomenclature

M1 - AMES800403AXAA
M2 - AMES800603AXAA
M3 - AMES800603BNAA
M4 - AMES800604BXAA
M5 - AMES800803BXAA
M6 - AMES800804BXAA
M7 - AMES800804CXAA
M8 - AMES800805CXAA
M9 - AMES801005CXAA
M10 - AMES801205DXAA

Cabinet Assembly



CABINET AND CONTROL PANEL ASSEMBLY
MAY DIFFER FROM WHAT IS SHOWN

Cabinet Assembly

Ref. Part No: No:	Description:	Ref. Part No: No:	Description:
-------------------	--------------	-------------------	--------------

Image 1:

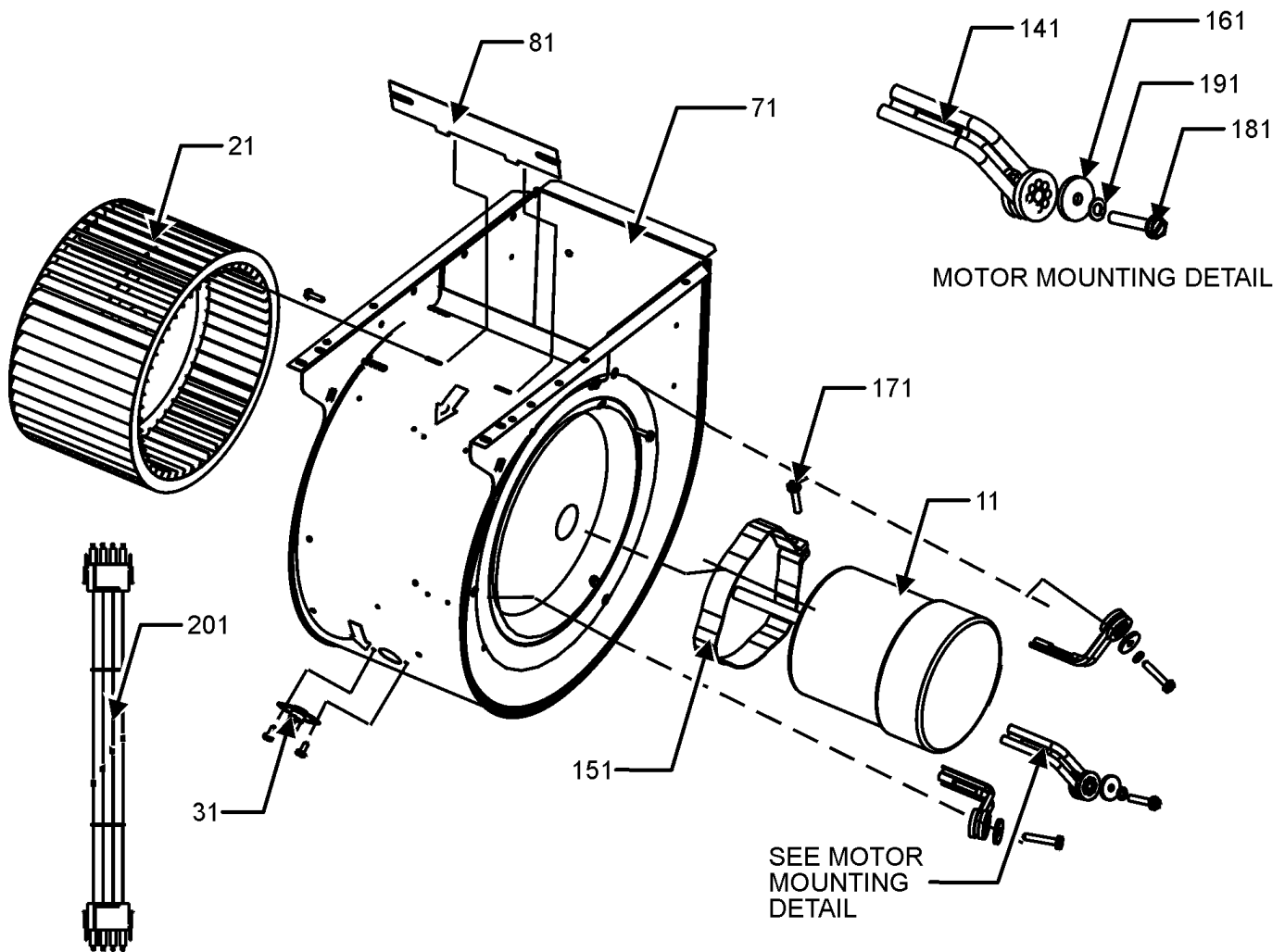
11	0121F00122LG	DOOR, BLOWER, 14"-PAINTED (M1, M2)
11	0121F00123LG	DOOR, BLOWER, 17.5" PAINTED (M3, M4, M5, M6)
11	0121F00124LG	DOOR, BLOWER, 21"-PAINTED (M7, M8, M9)
11	0121F00125LG	DOOR, BLOWER, 24.5"-PAINTED (M10)
21	B1392139	VIEW PORT BUSHING-BLOWER DOOR
31	0121F00118LG	DOOR CTRL AC CESS, 14"-PAINTED (M1, M2)
31	0121F00120LG	DOOR CTRL AC CESS, 21"-PAINTED (M7, M8, M9)
31	0121F00121LG	DOOR CTRL AC CESS, 24.5"PAINTED (M10)
31	0121F00119LG	DOOR CTRL AC CESS,17.5"-PAINTED (M3, M4, M5, M6)
41	0130F00505	SWITCH, PRESSURE (M1, M5, M6, M9)
41	0130F00506	SWITCH, PRESSURE (M2, M3, M4, M7, M8)
41	0130F00507	SWITCH, PRESSURE (M10)
51	B1392147	UNIVERSAL BUSHING WITH SLICE
71	4014502	J-BOX
81	4015502	COVER, J-BOX
111	10690402	INTERLOCK SWITCH
171	0121F00141DG	TOP, FURNACE 14"-PAINTED (M1, M2)
171	0121F00142DG	TOP, FURNACE 17.5"-PAINTED (M3, M4, M5, M6)
171	0121F00143DG	TOP, FURNACE 21"-PAINTED (M7, M8, M9)
171	0121F00463DG	TOP, FURNACE 24.5" PAINTED (M10)
211	0130M00140	TRANSFORMER,(120V TO 24V,40VA,
251	PCBBF145	CIRCUIT BOARD
271	1815817	CNTRL MT PNL
321	4023500	CHIMNEY TRANSITION TOP
NS	0161F00006	AMANA NAMEPLATE

Expanded Model Nomenclature

- | |
|----------------------|
| M1 - AMES800403AXAA |
| M2 - AMES800603AXAA |
| M3 - AMES800603BNAA |
| M4 - AMES800604BXAA |
| M5 - AMES800803BXAA |
| M6 - AMES800804BXAA |
| M7 - AMES800804CXAA |
| M8 - AMES800805CXAA |
| M9 - AMES801005CXAA |
| M10 - AMES801205DXAA |

Blower Assembly

BLOWER ASSEMBLY



Blower Assembly

Ref. Part No: No:	Description:	Ref. Part No: No:	Description:
-------------------	--------------	-------------------	--------------

Image 1:

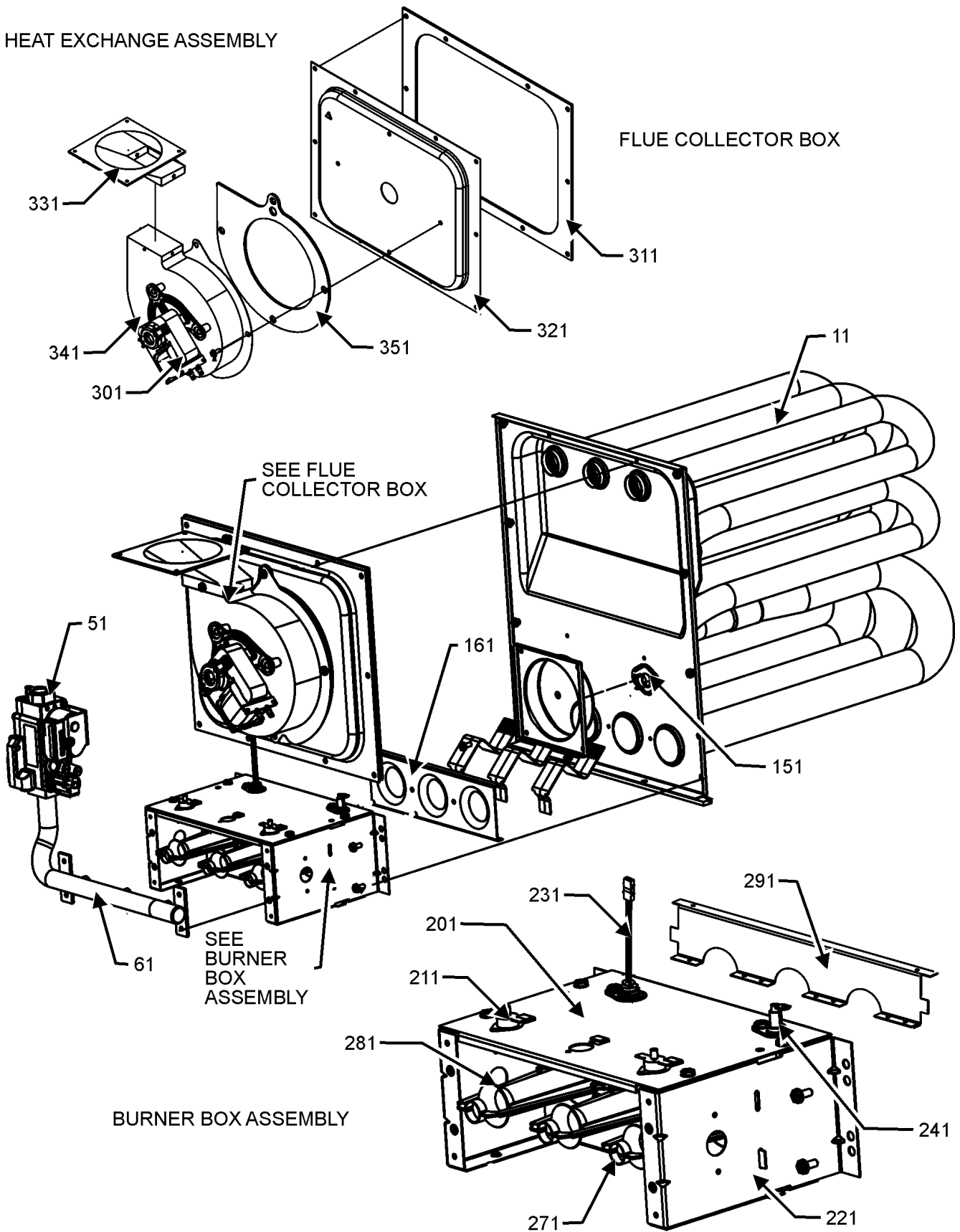
21	B1368034	BLOWER WHEEL (10 X 6) (M1, M2)
21	B1368000	BLOWER WHEEL (11 X 10) (M10)
21	0150M00042	WHEEL, BLOWER (10 X 10) (M7, M8, M9)
21	0150M00043	WHEEL, BLOWER (10 X 8) (M3, M4, M5, M6) AUX
31	0130F00038	LIMIT - LT BLUE 120°
71	2539307	BLOWER HOUSING 10 X 10 (M7, M8, M9, M10)
71	2539305	BLOWER HOUSING 10 X 6 (M1, M2)
71	2539306	BLOWER HOUSING 10 X 8 (M3, M4, M5, M6)
81	764741	BLOWER BLOCK-OFF 10 X 10 (M7, M8, M9,
81	764740	M10) BLOWER BLOCK-OFF 10 X 8 (M3, M4, M5,
81	764739	M6) BLOWER CUT-OFF 10 X 6 (M1, M2)
141	B1376863	MOUNT ARM, MOTOR (HEAVY DUTY) (QTY 3)
151	0121M00039	MOUNT BAND, MOTOR (HEAVY DUTY)
161	B1392918	WASHER FLAT 1/4 ID X 1 OD (QTY 3)
171	0163M00320	HEX HEAD ALL THREAD TAP BOLT
181	M0250565	SCREW-TC 1.25" (QTY 3)
191	B1393800	LOCKNUT NYLON INSERT 1/4,20
201	0159F00076	WIRING HARNESS
11	0131F00120	MOTOR, PROGRAM-X13 (M1, M2)
11	0131F00122	MOTOR, PROGRAM-X13 (M3)
11	0131F00123	MOTOR, PROGRAM-X13 (M4)
11	0131F00124	MOTOR, PROGRAM-X13 (M5)
11	0131F00125	MOTOR, PROGRAM-X13 (M6)
11	0131F00126	MOTOR, PROGRAM-X13 (M7)
11	0131F00127	MOTOR, PROGRAM-X13 (M8)
11	0131F00128	MOTOR, PROGRAM-X13 (M9)
11	0131F00129	MOTOR, PROGRAM-X13 (M10)

Expanded Model Nomenclature

M1 - AMES800403AXAA
M2 - AMES800603AXAA
M3 - AMES800603BNAA
M4 - AMES800604BXAA
M5 - AMES800803BXAA
M6 - AMES800804BXAA
M7 - AMES800804CXAA
M8 - AMES800805CXAA
M9 - AMES801005CXAA
M10 - AMES801205DXAA

Heat Exchange Assembly

HEAT EXCHANGE ASSEMBLY



Heat Exchange Assembly

Ref. Part No:	Ref. Part No:	Description:	Description:
Image 1:		Image 1:	
11	0270F00931	HEAT EXCHANGER ASSY (M1)	NS 0159F00099 WIRE HARNESS ASSY, IGNITOR
11	0270F00932	HEAT EXCHANGER ASSY (M2)	NS 0259F00078 WIRE KIT ASSY.
11	0270F00933	HEAT EXCHANGER ASSY (M3, M4)	Expanded Model Nomenclature
11	0270F00934	HEAT EXCHANGER ASSY (M5, M6)	
11	0270F00935	HEAT EXCHANGER ASSY (M7, M8)	
11	0270F00936	HEAT EXCHANGER ASSY (M9)	
11	0270F00937	HEAT EXCHANGER ASSY (M10)	
51	0151M00037	GAS VALVE	
61	0120F00006	MANIFOLD (M1)	
61	0120F00007	MANIFOLD (M2, M3, M4)	
61	0120F00008	MANIFOLD (M5, M6, M7, M8)	
61	0120F00009	MANIFOLD (M9)	
61	0120F00010	MANIFOLD (M10)	
151	20162904	*PRIMARY LIMIT-TEMPERATURE CONTROL (M2, M3, M4, M5, M6, M7, M8, M9, M10) <small>*Refer to Service Bulletin 054</small>	M1 - AMES800403AXAA
151	20162901	LIMIT (M1)	M2 - AMES800603AXAA
151	20162903	LIMIT (M7, M8, M10)	M3 - AMES800603BNAA
161	4028000	ORIFICE PLATE, 2CELL (M1)	M4 - AMES800604BXAA
161	4028001	ORIFICE PLATE, 3CELL (M2, M3, M4)	M5 - AMES800803BXAA
161	4028002	ORIFICE PLATE, 4 CELL (M5, M6, M7, M8)	M6 - AMES800804BXAA
161	4028003	ORIFICE PLATE, 5CELL (M9)	M7 - AMES800804CXAA
161	4028004	ORIFICE PLATE, 6CELL (M10)	M8 - AMES800805CXAA
201	0121F00162	TOP, BURNER BOX 2 CELL (M1)	M9 - AMES801005CXAA
201	0121F00163	TOP, BURNER BOX 3 CELL (M2, M3, M4)	M10 - AMES801205DXAA
201	0121F00164	TOP, BURNER BOX 4 CELL (M5, M6, M7, M8)	
201	0121F00165	TOP, BURNER BOX 5 CELL (M9)	
201	0121F00166	TOP, BURNER BOX 6 CELL (M10)	
211	10123529	MANUAL RESET R.O.S. LIMIT (QTY 2)	
221	0121F00146	SIDE PLATE BURNER BOX (QTY 2)	
231	0130F00008	SINI IGNITOR	
241	0130F00010	FLAME SENSOR	
271	10716005	ORIFICE (QTY 2)	
281	B4022700	INSHOT BURNER ASSY 3" (QTY 2)	
291	0121F00167	BURNER BRACKET 2B (M1)	
291	0121F00168	BURNER BRACKET 3B (M2, M3, M4)	
291	0121F00169	BURNER BRACKET 4B (M5, M6, M7, M8)	
291	0121F00170	BURNER RACK, 5 CELL (M9)	
291	0121F00171	BURNER RACK, 6 CELL (M10)	
301	DY6.186.070	VENT MOTOR CAPACITOR	
311	0154F00003	GASKET-14 INCH (M1, M2)	
311	0154F00004	GASKET-17.5 INCH (M3, M4, M5, M6)	
311	0154F00005	GASKET-21 INCH (M7, M8, M9)	
311	0154F00006	GASKET-24.5 INCH (M10)	
321	0121F00333	21" COLLECTOR BOX 1.75" DIA (M7, M8)	
321	0121F00330	24.5" COLLECTOR BOX 2.125" DIA (M10)	
321	0121F00217	COLLECTOR BOX (M9)	
321	0121F00126	COLLECTOR BOX 14" 1.375 DIA (M1)	
321	0121F00128	COLLECTOR BOX 17.5" 1.75 DIA (M3, M4, M5, M6)	
321	0121F00198	COLLECTOR BOX, 14" 1.75 DIA (M2)	
331	0128F00006	CHIMNEY TRANSITION BOTTOM	
341	0131M00002P	MOTOR, VENT 80+	
351	0154F00003	GASKET-14 INCH (M1, M2)	
351	0154F00004	GASKET-17.5 INCH (M3, M4, M5, M6)	
351	0154F00005	GASKET-21 INCH (M7, M8, M9)	
351	0154F00006	GASKET-24.5 INCH (M10)	
NS	0259F00054	12-PIN WIRE HARNESS ASSY	