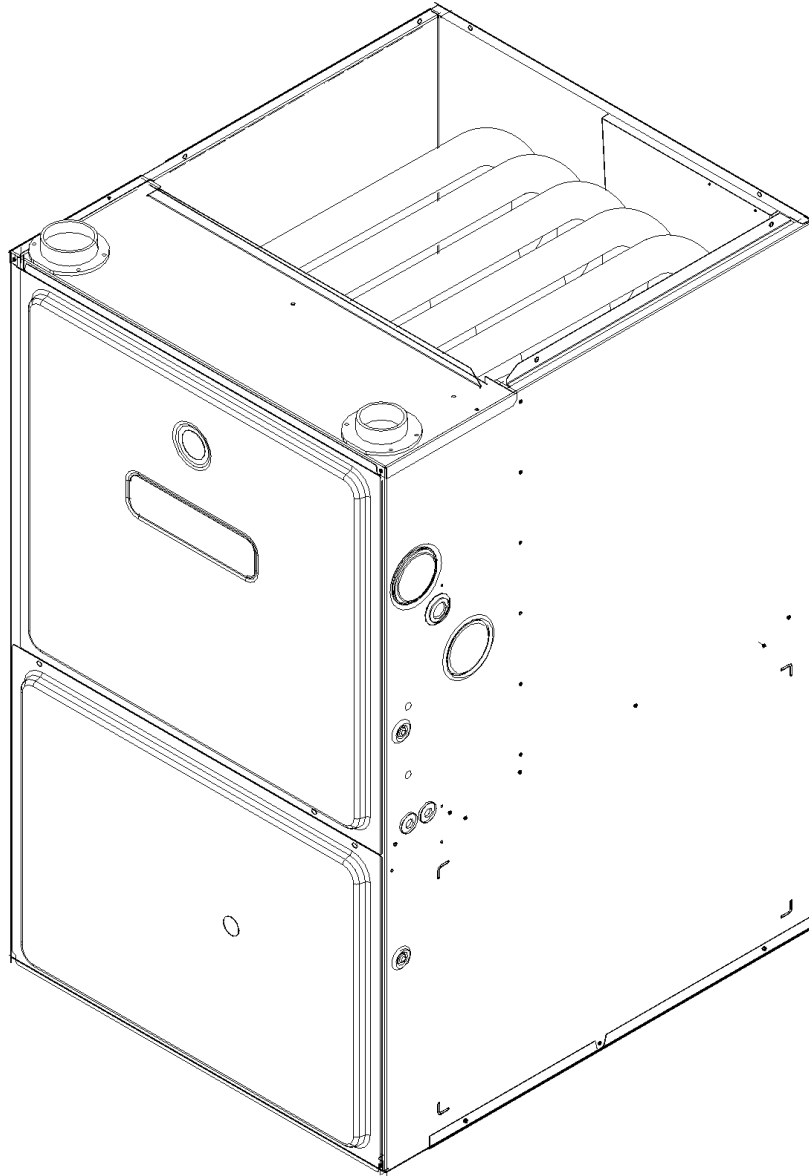


AMEH96 EEM Upflow Furnace

AMEH960403BXAA
AMEH960603BXAA
AMEH960805CXAA
AMEH961005DXAA



Amana is a registered trademark of Maytag Corporation or its related companies and is used under license to Goodman Company, L.P., Houston, TX. All rights reserved.

This manual is to be used by qualified technicians only.

Important Information

Index

Functional Parts List	3
Illustration and Parts	4 - 11

Views shown are for parts illustrations only, not servicing procedures

11-18-13: Updated blower wheel B1368047A to B1368047

Text Codes:

AR - As Required

NA - Not Available

NS - Not Shown

00000000 - See Note

QTY - Quantity Example (QTY 3) (If Quantity not shown, Quantity = 1)

M - Model Example (M1) (If M Code not shown, then part is used on all Models)

Expanded Model Nomenclature:

Example M1 - Model#1 M2 - Model#2 M3 - Model#3

Goodman Company, L.P. is not responsible for personal injury or property damage resulting from improper service. Review all service information before beginning repairs.

Warranty service must be performed by an authorized technician, using authorized factory parts. If service is required after the warranty expires, Goodman Company, L.P. also recommends contacting an authorized technician and using authorized factory parts.

Goodman Company, L.P. reserves the right to discontinue, or change at any time, specifications or designs without notice or without incurring obligations.

For assistance within the U.S.A. contact:

Consumer Affairs Department

Goodman Company, L.P.

7401 Security Way

Houston, Texas 77040

877-254-4729-Telephone

713-863-2382-Facsimile

For assistance outside the U.S.A. contact:

International Division

Goodman Company, L.P.

7401 Security Way

Houston, Texas 77040

713-861-2500-Telephone

713-863-2382-Facsimile

Functional Parts

Part

No: **Description:**

10735102	BECKETT BURNER (QTY A/R)
D6723311	BLOWER WHEEL (M4)
B1368047	BLOWER WHEEL 10 X 10 (M3)
B1368058	BLOWER WHEEL 10 X 8 (M1, M2)
0130F00010	FLAME SENSOR
0130F00008	IGNITOR-SINI 17 SEC
10123519	MANUAL RESET LIMIT (M4)
10123517	MANUAL RESET LIMIT (M3)
10123535	MANUAL RESET LIMIT-RED (M1, M2, M3)
10123533	MANUAL RESET LIMIT-YELLOW (M1, M2, M4)
0131M00286	MOTOR, 115V 1 HP, PROG (M3)
0131M00287	MOTOR, 115V 1 HP,PROG (M4)
0131M00285	MOTOR, 115V 1/2 HP, PROG (M2)
0131M00284	MOTOR, 115V 1/2 HP, PROG (M1)
PCBBF132	PCB 2STAGE HYBRID FURNACE CNTL
0130F00214	PRESSURE SWITCH (M1)
0130F00110	PRESSURE SWITCH - GREEN (M2, M3, M4)
20197308	PRESSURE SWITCH-YELLOW
0130M00063	PRIMARY LIMIT - GOLD 140° (M2, M3)
20162904	PRIMARY LIMIT-TEMPERATURE CONTROL (M1, M4)
0130M00140	TRANSFORMER 120V TO 24V, 40 VA
0151M00028	VALVE,GAS(HW)VR92

SPECIAL PARTS

0161M00003P AMANA NAMEPLATE

Expanded Model Nomenclature

M1 - AMEH960403BXAA
M2 - AMEH960603BXAA
M3 - AMEH960805CXAA
M4 - AMEH961005DXAA

Cabinet

Image 1

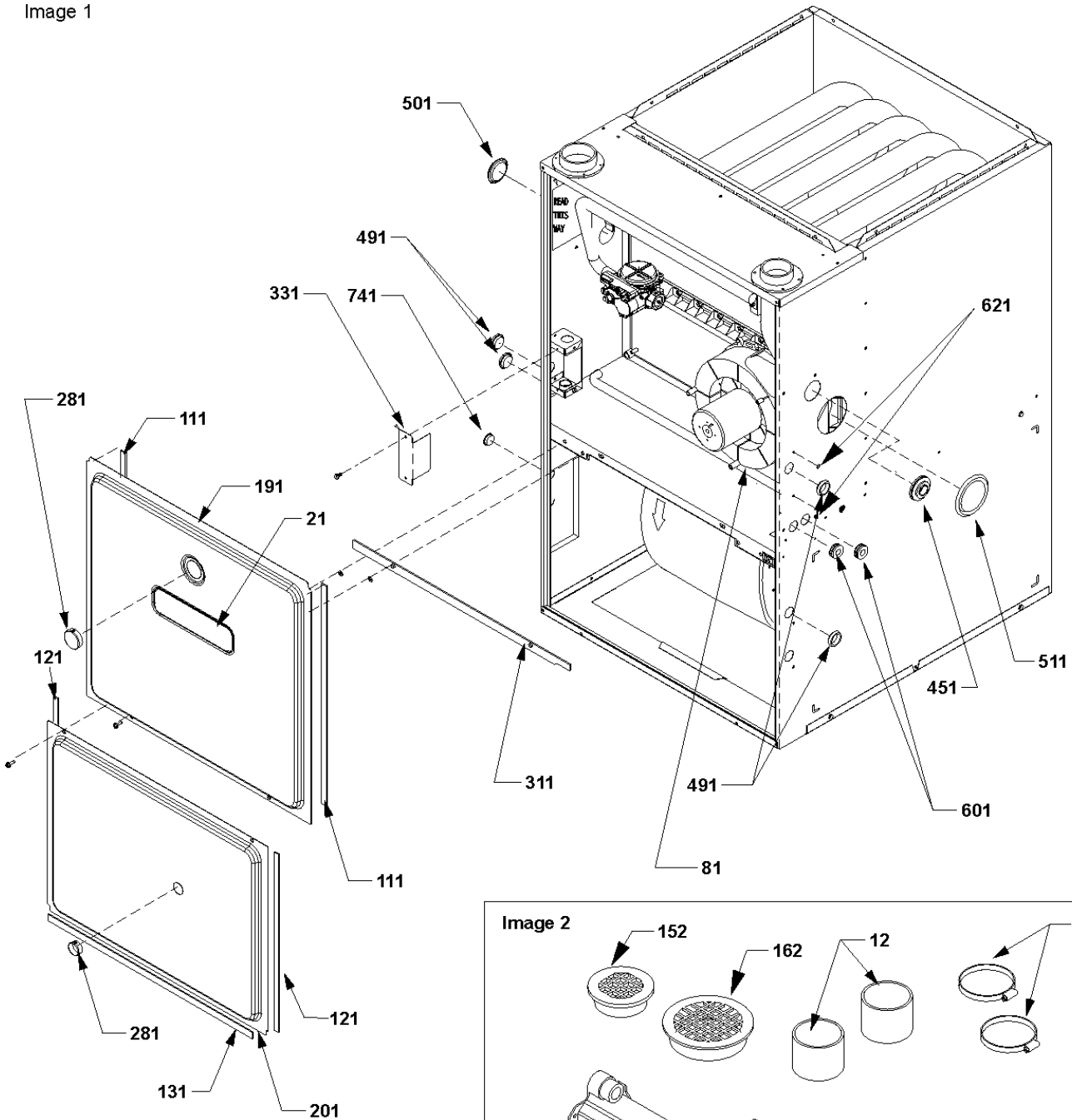
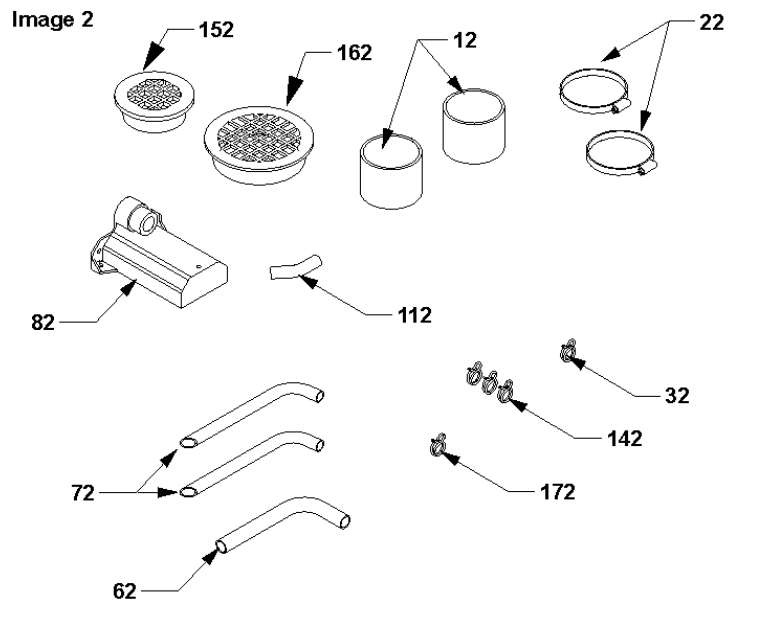


Image 2



Cabinet

Ref. Part No: No:	Description:	Ref. Part No: No:	Description:
-------------------	--------------	-------------------	--------------

Image 1:

21	0161M00003P	AMANA NAMEPLATE
81	20201902	DRAIN HOSE
111	20179308	GASKET (QTY 2)
121	20179311	GASKET (QTY 2)
131	20179312	GASKET (M3)
131	20179313	GASKET (M4)
191	0121F00066LG	ACCESS DOOR (M1, M2)
191	0121F00067LG	ACCESS DOOR (M3)
191	0121F00068LG	ACCESS DOOR (M4)
201	0121F00063LG	BLOWER DOOR (M1, M2)
201	0121F00064LG	BLOWER DOOR (M3)
201	0121F00065LG	BLOWER DOOR (M4)
281	B1392139	VIEW PORT BUSHING-BLOWER DOOR (QTY 2)
311	22320001	DECK GASKET (M1, M2)
311	22320002	DECK GASKET (M3)
311	22320003	DECK GASKET (M4)
331	0161F00013	JUNCTION BOX COVER
451	M0501301	PIPE GROMMET
491	M0570808	BUTTON PLUG (QTY 4)
501	M0570806	BUTTON PLUG
511	M0570807	BUTTON PLUG
601	A4691701	GROMMET (QTY 2)
621	M0310345	BUTTON PLUG (QTY 2)
741	B1392104	UNIVERSAL BUSHING UB 875

Image 2:

12	10254303	RUBBER COUPLING
22	0163M00049	HOSE CLAMP (QTY 2)
32	M0119207	HOSE CLAMP
62	20201901	DRAIN HOSE
72	20201902	DRAIN HOSE
82	20171701	DRAIN TRAP
112	20214203	DRAIN ANGLE
142	M0119205	HOSE CLAMP (QTY 3)
152	B2810816	2" MESH INSERT
162	B2810814	3" MESH INSERT
172	M0119206	HOSE CLAMP
NS	10195517	STNDPIPE BAG ASSY

Expanded Model Nomenclature

M1 - AMEH960403BXAA
M2 - AMEH960603BXAA
M3 - AMEH960805CXAA
M4 - AMEH961005DXAA

Blower Assembly

Image 1

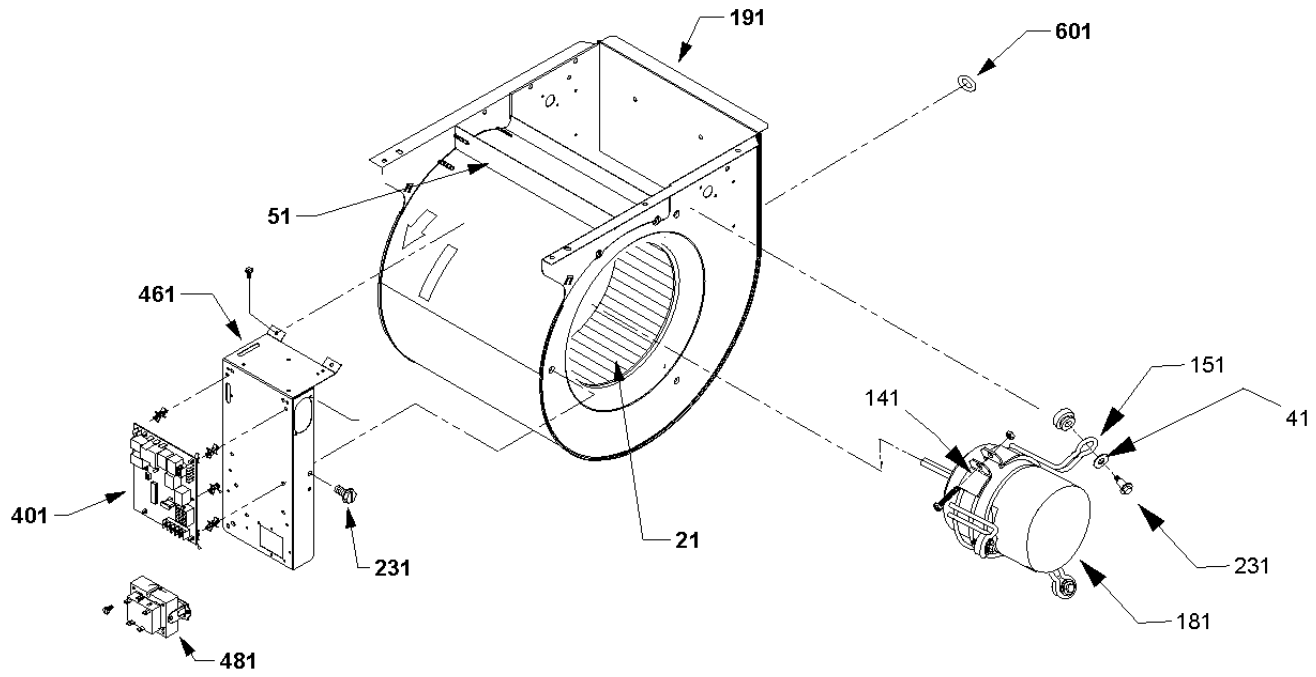
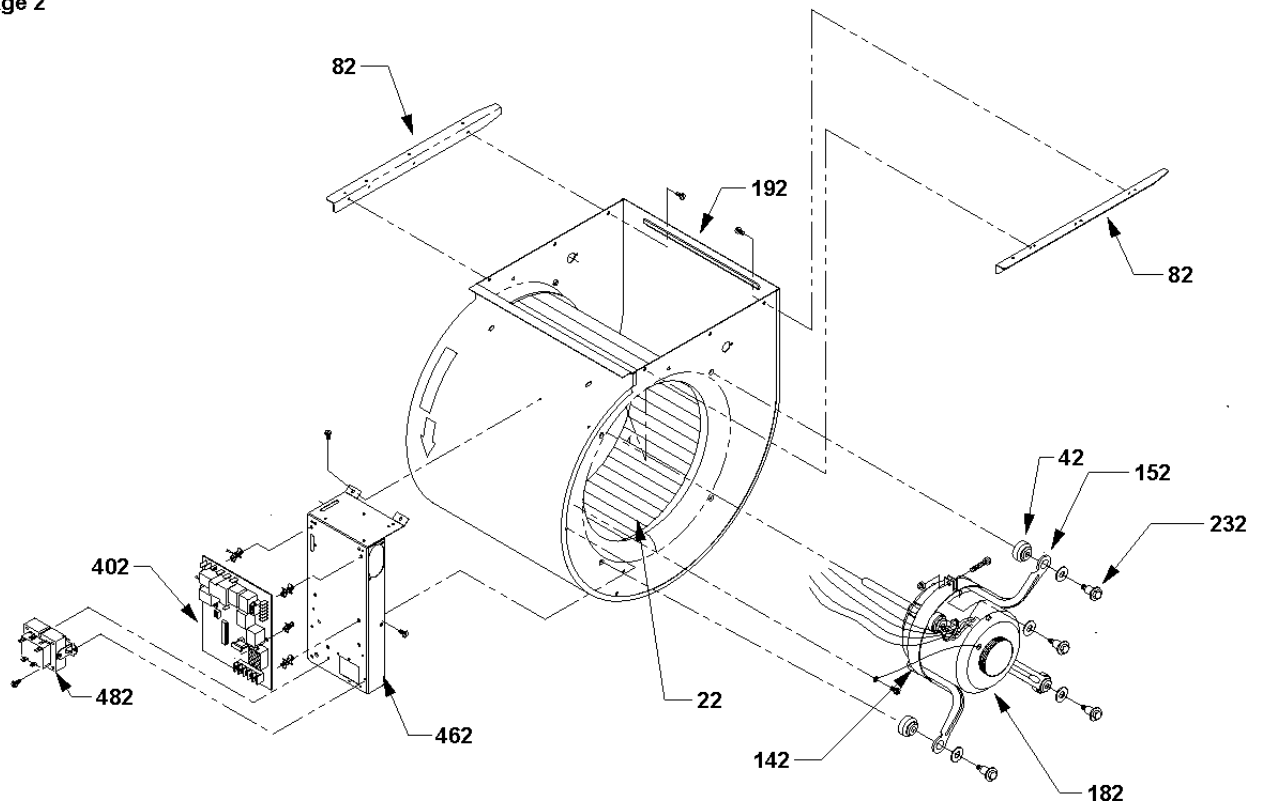


Image 2



Blower Assembly

Ref. Part No: No:	Description:	Ref. Part No: No:	Description:
-------------------	--------------	-------------------	--------------

Image 1:

21	B1368047	BLOWER WHEEL 10 X 10 (M3)
21	B1368058	BLOWER WHEEL 10 X 8 (M1, M2)
41	B1392918	WASHER, FLAT 1/4 ID X 1 OD (M1, M2, M3)
51	764741F	BLOWER BLOCK-OFF 10 X 10 (M3)
51	764740	BLOWER BLOCK-OFF 10 X 8 (M1, M2)
141	0121M00038	MOTOR MOUNT BAND (M1, M2, M3)
151	B1376857	MOTOR MOUNT ARM (M1, M2, M3)
181	0131M00286	MOTOR, 115V 1 HP, PROG (M3)
181	0131M00284	MOTOR, 115V 1/2 HP, PROG (M1)
181	0131M00285	MOTOR, 115V 1/2 HP, PROG (M2)
191	0271F00003P	BLOWER HOUSING ASSY 10 X 10 (M3)
191	0271F00000P	BLOWER HOUSING ASSY 10 X 8 (M1, M2)
231	M0250558	TC SCREW (M1, M2, M3)
231	M0250565	TC SCREW 1.25" (M1, M2, M3)
401	PCBBF132	PCB 2STAGE HYBRID FURNACE CNTL (M1, M2, M3)
461	0121F00025P	CONTROL BRACKET (M1, M2, M3)
481	0130M00140	TRANSFORMER 120V TO 24V, 40 VA (M1, M2, M3)
601	B1392021	PLASTIC PLUG, 1" (2713-BLK) (M1, M2, M3)
NS	0130M00072	ECOTECH LOW VOLTAGE HARNESS (M1, M2, M3)
NS	0130M00073	ECOTECH POWER HARNESS (M1, M2, M3)
NS	B1393802	SUPPORT, 2-WING BOARD, .187 MT (M1, M2, M3)
NS	B1393803	SUPPORT, SINGLE-WING BOARD (.1 (M1, M2, M3)
NS	0159F00018	WIRING HARNESS (M1, M2, M3)

Image 2:

22	D6723311	BLOWER WHEEL (M4)
42	A4002702	BLOWER MOTOR GROMMET (M4)
82	20175101	BLOWER SIDE RAIL (M4)
142	10441601	MOTOR MOUNT BAND (M4)
152	10441501	MOTOR MOUNT ARM (M4)
182	0131M00287	MOTOR, 115V 1 HP, PROG (M4)
192	0271F00048	BLOWER HOUSING ASSY 11 X 10 (M4)
232	M0221461	TC SCREW (M4)
402	PCBBF132	PCB 2STAGE HYBRID FURNACE CNTL (M4)
462	0121F00025P	CONTROL BRACKET (M4)
482	0130M00140	TRANSFORMER 120V TO 24V, 40 VA (M4)
NS	0130M00072	ECOTECH LOW VOLTAGE HARNESS (M4)
NS	0130M00073	ECOTECH POWER HARNESS (M4)
NS	B1393802	SUPPORT, 2-WING BOARD, .187 MT (M4)
NS	B1393803	SUPPORT, SINGLE-WING BOARD (.1 (M4)
NS	0159F00018	WIRING HARNESS (M4)

Expanded Model Nomenclature

M1 - AMEH960403BXAA
M2 - AMEH960603BXAA
M3 - AMEH960805CXAA
M4 - AMEH961005DXAA

Chassis

Image 1

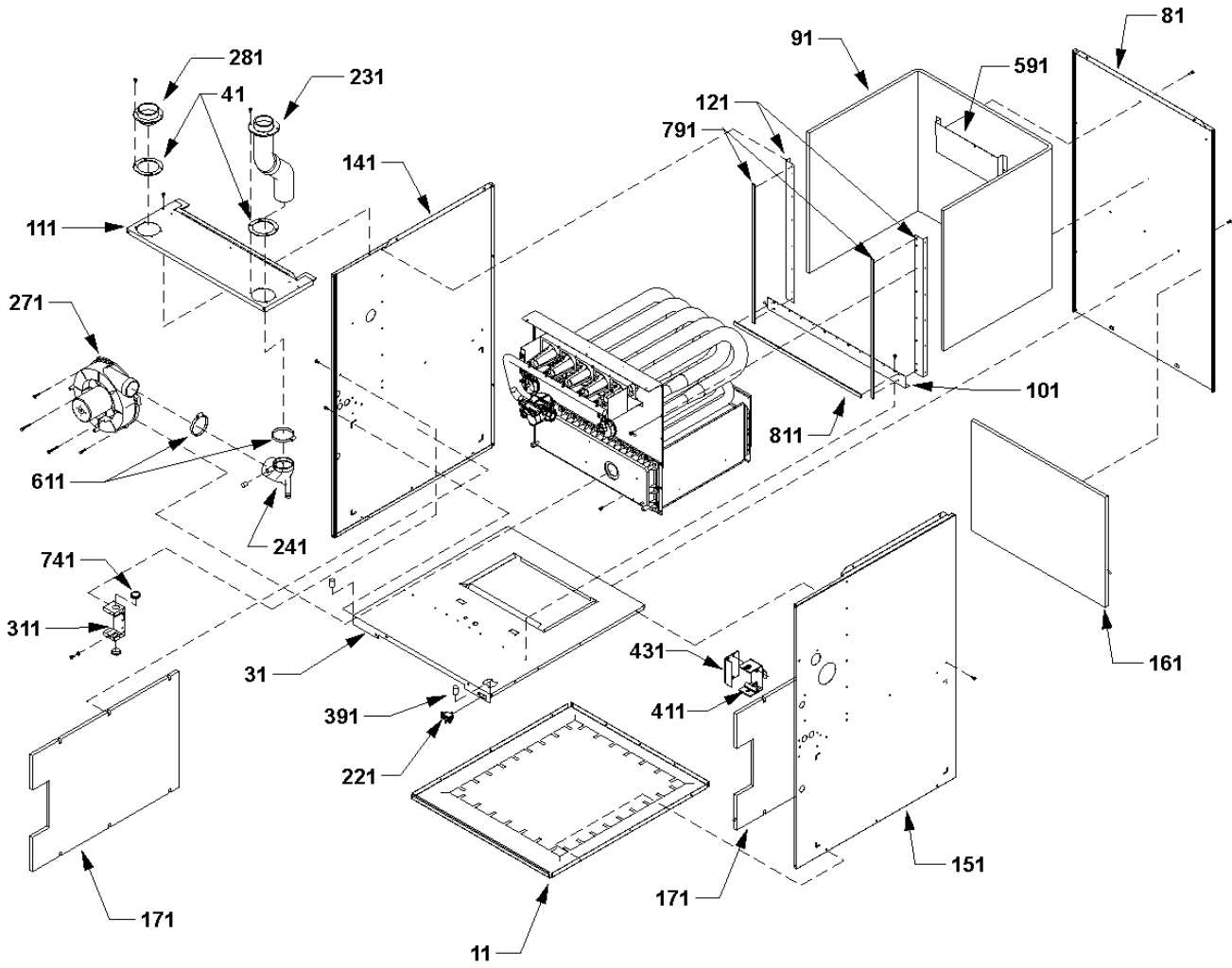
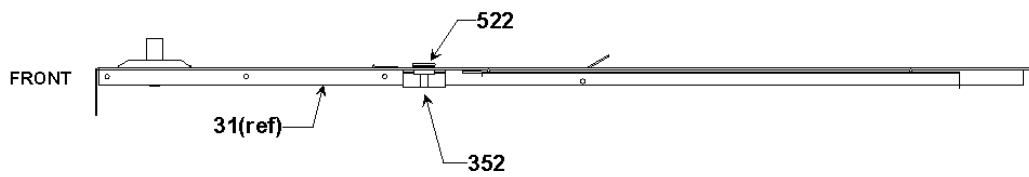


Image 2



Chassis

Ref. Part No:	Part No:	Description:	Ref. Part No:	Part No:	Description:
---------------	----------	--------------	---------------	----------	--------------

Image 1:

11	0121F00050DG	BASE PAN (M1, M2)
11	0121F00051DG	BASE PAN (M3)
11	0121F00052DG	BASE PAN (M4)
31	0121F00045	BLOWER DECK (M3)
31	0121F00048	BLOWER DECK (M4)
31	0121F00043	DECK-BLWR UF 17.5 FUR (M1, M2)
41	0154F00000P	COIL GASKET (M1, M2)
41	0154F00001P	COIL GASKET (M3)
41	0154F00002P	COIL GASKET (M4)
81	20273208	BACK PANEL (M1, M2)
81	20273212	PANEL-BACK UF FURN (M4)
81	20273210	PANEL-BACK UF PNT (M3)
91	C6415909	HEAT EXCHANGER INSULATION (M4)
91	C6415910	HEAT EXCHANGER INSULATION (M1, M2)
91	C6415911	HEAT EXCHANGER INSULATION (M3)
101	0121F00018P	DECK RAIL (M1, M2)
101	0121F00019P	DECK RAIL (M3)
101	20191303	DECK RAIL (M4)
111	0270F00100P	TOP COVER ASSY (M1, M2)
111	0270F00101P	TOP COVER ASSY (M3)
111	0270F00102P	TOP COVER ASSY (M4)
121	20191602	SIDE RAIL (M1, M2)
121	20191603	SIDE RAIL (M3)
121	20191604	SIDE RAIL (M4)
141	0121F00429DG	PANEL- SIDE LH UF FUR PNT
151	0121F00428DG	PANEL- SIDE RH UF FUR PNT
161	20006601	INSULATION (M1, M2)
161	20006602	INSULATION (M3)
161	20006603	INSULATION (M4)
171	20243503	SIDE INSULATION (QTY 2)
221	B1370818	INTERLOCK SWITCH
231	22309501	FLUE PIPE
241	20171802	ELBOW
271	0171M00000	BLOWER-ID
281	20049701	FA COUPLING
311	22320001	DECK GASKET (M1, M2)
311	22320002	DECK GASKET (M3)
311	22320003	DECK GASKET (M4)
391	M0275521	PLASTIC SEALER
411	0161F00012	JUNCTION BOX-PLA
431	0161F00013	JUNCTION BOX-LID
591	11165107	ID BLOWER SHIELD
611	0163M00049	HOSE CLAMP (QTY 2)
741	B1392104	UNIVERSAL BUSHING UB 875
791	20194608	GASKET (QTY 2)
811	20194605	GASKET (M1, M2)
811	20194606	GASKET (M3)
811	20194607	GASKET (M4)

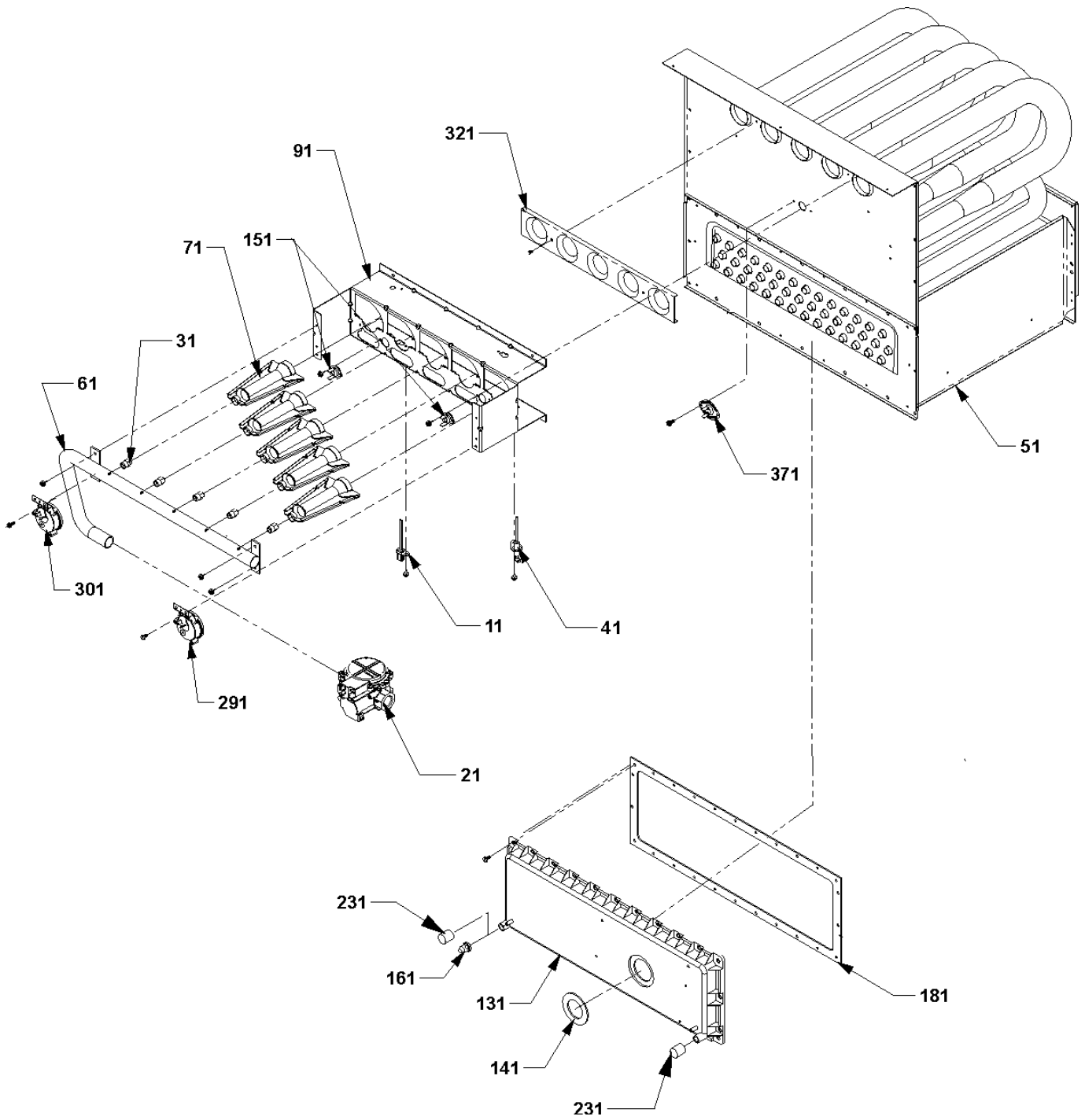
Image 2:

352	10861101	AUXILIARY LIMIT BRACKET
522	10123519	MANUAL RESET LIMIT (M4)
522	10123535	MANUAL RESET LIMIT-RED (M1, M2, M3)

Expanded Model Nomenclature

- | |
|---------------------|
| M1 - AMEH960403BXAA |
| M2 - AMEH960603BXAA |
| M3 - AMEH960805CXAA |
| M4 - AMEH961005DXAA |

Manifold / Heat Exchanger/ Gas Valve



Manifold / Heat Exchanger/ Gas Valve

Ref. Part No: No:	Description:	Ref. Part No: No:	Description:
-------------------	--------------	-------------------	--------------

Image 1:

11	0130F00008	IGNITOR-SINI 17 SEC
11	0164M00002	PRESSURE SWITCH HOSE (QTY 2)
21	0151M00028	VALVE,GAS(HW)VR92
31	0163F00004	ORIFICE (QTY A/R)
41	0130F00010	FLAME SENSOR
51	0257F00322	HEAT EXCHANGER ASSY (M1)
51	0257F00323	HEAT EXCHANGER ASSY (M2)
51	0257F00324	HEAT EXCHANGER ASSY (M3)
51	0257F00325	HEAT EXCHANGER ASSY (M4)
61	20196401	MANIFOLD - 2 BRNR (M1)
61	20196402	MANIFOLD - 3 BRNR (M2)
61	20196403	MANIFOLD - 4 BRNR (M3)
61	20196404	MANIFOLD - 5 BRNR (M4)
71	10735102	BECKETT BURNER (QTY A/R)
91	20190410	BURNER BRACKET 2B (M1)
91	20190411	BURNER BRACKET 3B (M2)
91	20190412	BURNER BRACKET 4B (M3)
91	20190413	BURNER BRACKET 5B (M4)
131	20170810A	COVER, FRONT (M1)
131	20170811A	COVER, FRONT (M2)
131	20170909A	COVER-FRONT (M3)
131	20171007A	COVER-FRONT (M4)
141	20215701	GASKET-FA
151	10123517	MANUAL RESET LIMIT (M3)
151	10123533	MANUAL RESET LIMIT-YELLOW (M1, M2, M4)
161	M0326804	TUBE PLUG
181	0154F00000P	COIL GASKET (M1, M2)
181	0154F00001P	COIL GASKET (M3)
181	0154F00002P	COIL GASKET (M4)
231	A1781105	CAP-VINYL .500 (QTY 2)
291	0130F00214	PRESSURE SWITCH (M1)
291	0130F00110	PRESSURE SWITCH - GREEN (M2, M3, M4)
301	20197308	PRESSURE SWITCH-YELLOW
321	11072201	ORIFICE SHIELD (M1)
321	11072202	ORIFICE SHIELD (M2)
321	11072203	ORIFICE SHIELD (M3)
321	11072204	ORIFICE SHIELD (M4)
371	0130M00063	PRIMARY LIMIT - GOLD 140° (M2, M3)
371	20162904	PRIMARY LIMIT-TEMPERATURE CONTROL (M1, M4)
NS	0164M00002	PRESSURE SWITCH HOSE (QTY 2)
NS	0164M00009	PRESSURE SWITCH HOSE
NS	0164M00012	PRESSURE SWITCH HOSE (M1, M2)
NS	0164M00013	PRESSURE SWITCH HOSE (M3)
NS	0164M00014	PRESSURE SWITCH HOSE (M4)

Expanded Model Nomenclature

M1 - AMEH960403BXAA
M2 - AMEH960603BXAA
M3 - AMEH960805CXAA
M4 - AMEH961005DXAA