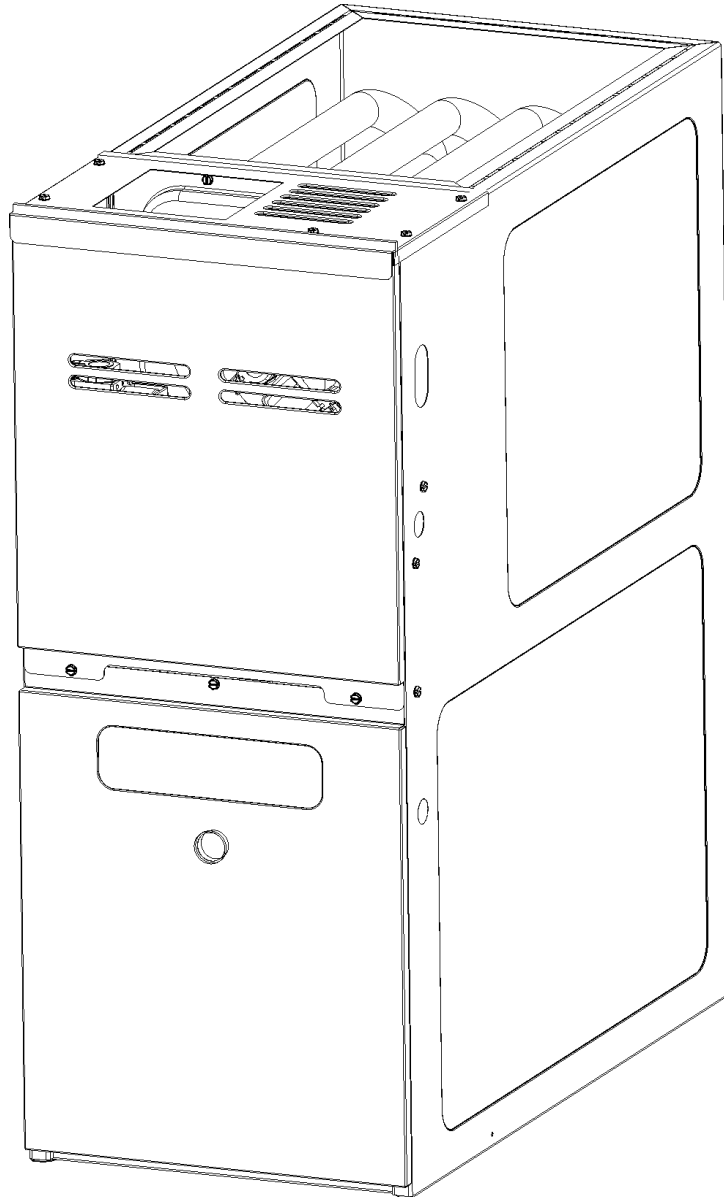


AMEH 80% Upflow Furnace

AMEH800603BNAA
AMEH800603BXAA
AMEH800805CNAA
AMEH800805CXAA
AMEH800805DNAA
AMEH800805DXAA
AMEH801005CNAA
AMEH801005CXAA



Amana is a registered trademark of Maytag Corporation or its related companies and is used under license to Goodman Company, L.P., Houston, TX. All rights reserved.

This manual is to be used by qualified technicians only.

This manual replaces RP-843.

© 2013 Goodman Company, L.P. ♦ 5151 San Felipe St., Suite 500 ♦ Houston, TX 77056

Important Information

Index

Functional Parts List	3
Illustration and Parts	4 - 9

Views shown are for parts illustrations only, not servicing procedures

Rev A: added vent motor capacitor service part

Text Codes:

AR - As Required

NA - Not Available

NS - Not Shown

00000000 - See Note

QTY - Quantity Example (QTY 3) (If Quantity not shown, Quantity = 1)

M - Model Example (M1) (If M Code not shown, then part is used on all Models)

Expanded Model Nomenclature:

Example M1 - Model#1 M2 - Model#2 M3 - Model#3

Goodman Company, L.P. is not responsible for personal injury or property damage resulting from improper service. Review all service information before beginning repairs.

Warranty service must be performed by an authorized technician, using authorized factory parts. If service is required after the warranty expires, Goodman Company, L.P. also recommends contacting an authorized technician and using authorized factory parts.

Goodman Company, L.P. reserves the right to discontinue, or change at any time, specifications or designs without notice or without incurring obligations.

For assistance within the U.S.A. contact:

Consumer Affairs Department
Goodman Company, L.P.
7401 Security Way
Houston, Texas 77040
877-254-4729-Telephone
713-863-2382-Facsimile

For assistance outside the U.S.A. contact:

International Division
Goodman Company, L.P.
7401 Security Way
Houston, Texas 77040
713-861-2500-Telephone
713-863-2382-Facsimile

Functional Parts

Part

No: Description:

0131M00177	BLOWER MOTOR 1 HP (M3, M4)
0131M00178	BLOWER MOTOR 1 HP (M7, M8)
0131M00176	BLOWER MOTOR 1/2 HP (M1, M2)
0131M00482	BLOWER MOTOR, 115V. 1HP PROG (M5, M6)
B1368016	BLOWER WHEEL 10 X 8 (M1, M2)
0150M00035	BLOWER WHEEL, 10 X 10 (M3, M4, M5, M6, M7, M8)
0130F00010	FLAME SENSOR
0130F00008	IGNITOR-SINI 17 SEC
B1370818	INTERLOCK SWITCH
10123529	MANUAL RESET LIMIT (QTY 2)
PCBBF132	PCB 2STAGE HYBRID FURNACE CNTL
0130F00042	PRESSURE SWITCH (M5, M6)
B1370179	PRESSURE SWITCH (M1, M2, M3, M4)
B1370158	PRESSURE SWITCH -0.70" WC (M7, M8)
20162903	PRIMARY LIMIT - BLUE (M3, M4, M5, M6)
0130F00038	PRIMARY LIMIT - LT BLUE 120°
20162904	PRIMARY LIMIT-TEMPERATURE CONTROL (M1, M2, M7, M8)
0130M00140	TRANSFORMER 120V TO 24V, 40 VA
0151M00028	VALVE,GAS(HW)VR92
0131M00002	VENT MOTOR
DY6.186.070	VENT MOTOR CAPACITOR

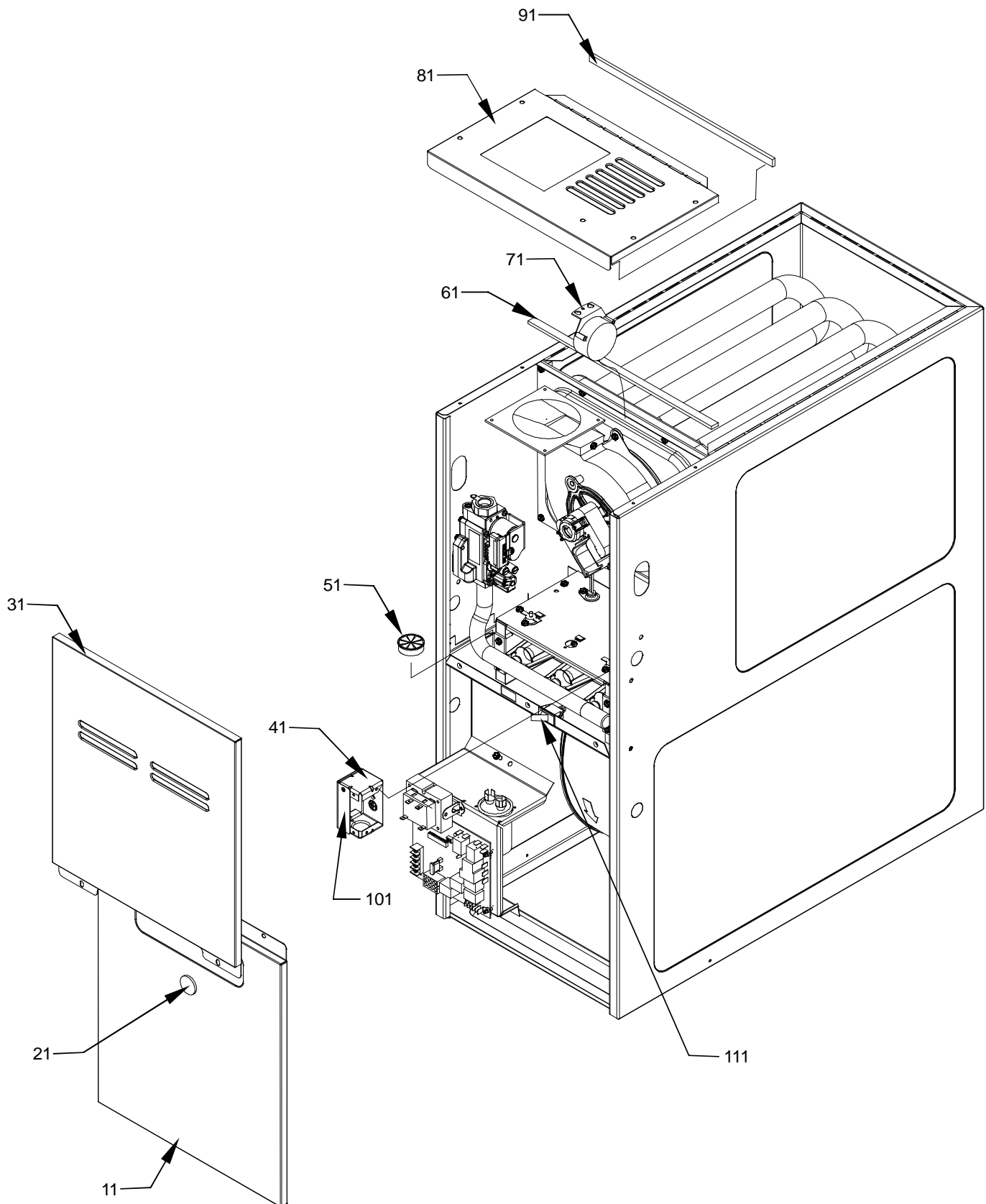
SPECIAL PARTS

0161F00006 AMANA NAMEPLATE

Expanded Model Nomenclature

M1 - AMEH800603BNAA
M2 - AMEH800603BXAA
M3 - AMEH800805CNAA
M4 - AMEH800805CXAA
M5 - AMEH800805DNAA
M6 - AMEH800805DXAA
M7 - AMEH801005CNAA
M8 - AMEH801005CXAA

Cabinet



Cabinet

Ref. Part No: No:	Description:	Ref. Part No: No:	Description:
-------------------	--------------	-------------------	--------------

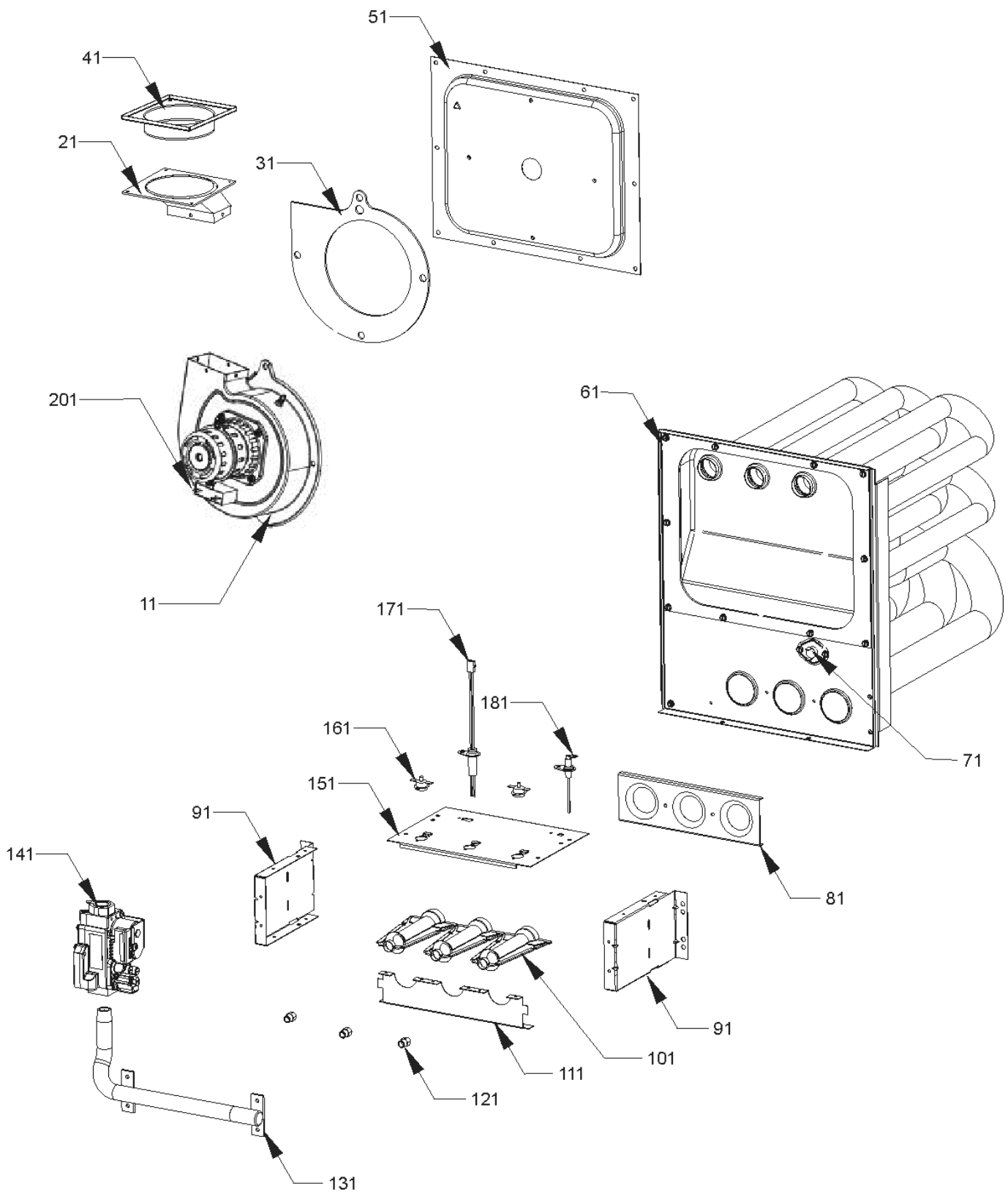
Image 1:

11	0121F00123LG	BLOWER ACCESS DOOR 17.5" (M1, M2)
11	0121F00124LG	BLOWER ACCESS DOOR 21" (M3, M4, M7, M8)
11	0121F00125LG	BLOWER ACCESS DOOR 24.5" (M5, M6)
21	B1392139	VIEW PORT BUSHING-BLOWER DOOR
31	0121F00119LG	CONTROL ACCESS DOOR 17.5" (M1, M2)
31	0121F00120LG	CONTROL ACCESS DOOR 21" (M3, M4, M7, M8)
31	0121F00121LG	CONTROL ACCESS DOOR 24.5" (M5, M6)
41	4014502	J-BOX
51	B1392147	UNIVERSAL BUSHING WITH SLICE
61	B13926112	SEAL STRIP, 1/8 X 1/2 X 17.5 (M1, M2)
61	B13926113	SEAL STRIP, 1/8 X 1/2 X 21 (M3, M4, M7, M8)
61	B13926114	SEAL STRIP, 1/8 X 1/2 X 24.5 (M5, M6)
71	0130F00042	PRESSURE SWITCH (M5, M6)
71	B1370179	PRESSURE SWITCH (M1, M2, M3, M4)
71	B1370158	PRESSURE SWITCH -0.70" WC (M7, M8)
81	0121F00463DG	TOP, FURNACE 24.5" PAINTED (M5, M6)
81	0121F00142	TOP, FURNACE, 17.5" (M1, M2)
81	0121F00143	TOP, FURNACE, 21" (M3, M4, M7, M8)
91	B13926112	SEAL STRIP, 1/8 X 1/2 X 17.5 (M1, M2)
91	B13926113	SEAL STRIP, 1/8 X 1/2 X 21 (M3, M4, M7, M8)
91	B13926114	SEAL STRIP, 1/8 X 1/2 X 24.5 (M5, M6)
101	4015502	J-BOX COVER
111	B1370818	INTERLOCK SWITCH
NS	0161F00006	AMANA NAMEPLATE
NS	0259F00051	IGNITOR WIRE HARNESS ASSY
NS	0259F00050	KIT, WIRE HYBRID FURN
NS	0270K00016	SOLID BOTTOM 17.5" CASE (M1, M2)
NS	1819002	SOLID BOTTOM 21" CASE (M3, M4, M7, M8)
NS	0270K00018	SOLID BOTTOM 24.5" CASE (M5, M6)
NS	0259F00073	WIRE HARNESS ASSY (M3, M4, M5, M6, M7, M8)
NS	0259F00085	WIRE HARNESS ASSY (M1, M2)

Expanded Model Nomenclature

M1 - AMEH800603BNAA
M2 - AMEH800603BXAA
M3 - AMEH800805CNAA
M4 - AMEH800805CXAA
M5 - AMEH800805DNAA
M6 - AMEH800805DXAA
M7 - AMEH801005CNAA
M8 - AMEH801005CXAA

Heat Exchanger Assy



Heat Exchanger Assy

Ref. Part No: No:	Description:	Ref. Part No: No:	Description:
-------------------	--------------	-------------------	--------------

Image 1:

11	0131M00002	VENT MOTOR
21	0128F00006	CHIMNEY TRANSITION BOTTOM
31	0154F00004	VENT MOTOR GASKET 17.5" (M1, M2)
31	0154F00005	VENT MOTOR GASKET 21" (M3, M4, M5, M6, M7, M8)
41	4023500	CHIMNEY TRANSITION TOP
51	0121F00333	21" COLLECTOR BOX 1.75" DIA (M3, M4, M7, M8)
51	0121F00462	21" FLUE COLLECTOR BOX (M5, M6)
51	0121F00128	FLUE COLLECTOR BOX KIT 17.5" 1.75 DIA (M1, M2)
61	0270F00933	HEAT EXCHANGER ASSY (M1, M2)
61	0270F00935	HEAT EXCHANGER ASSY (M3, M4)
61	0270F00936	HEAT EXCHANGER ASSY (M7, M8)
61	0270F03017	HEAT EXCHANGER ASSY (M5, M6)
71	20162903	PRIMARY LIMIT - BLUE (M3, M4, M5, M6)
71	20162904	PRIMARY LIMIT-TEMPERATURE CONTROL (M1, M2, M7, M8)
81	4028001	ORIFICE SHIELD 3 CELL (M1, M2)
81	4028002	ORIFICE SHIELD 4 CELL (M3, M4, M5, M6)
81	4028003	ORIFICE SHIELD 5 CELL (M7, M8)
91	0121F00146	BURNER BOX SIDE (QTY 2)
101	B4022700	INSHOT BURNER ASSY 3" (QTY A/R)
111	0121F00168	BURNER BRACKET 3B (M1, M2)
111	0121F00169	BURNER BRACKET 4B (M3, M4, M5, M6)
111	0121F00170	BURNER BRACKET 5B (M7, M8)
121	B4089345	ORIFICE (QTY A/R)
131	0120F00007	MANIFOLD (M1, M2)
131	0120F00008	MANIFOLD (M3, M4, M5, M6)
131	0120F00009	MANIFOLD (M7, M8)
141	0151M00028	VALVE,GAS(HW)VR92
151	0121F00163	BURNER BOX TOP 3 CELL (M1, M2)
151	0121F00164	BURNER BOX TOP 4 CELL (M3, M4, M5, M6)
151	0121F00165	BURNER BOX TOP 5 CELL (M7, M8)
161	10123529	MANUAL RESET LIMIT (QTY 2)
171	0130F00008	IGNITOR-SINI 17 SEC
181	0130F00010	FLAME SENSOR
201	DY6.186.070	VENT MOTOR CAPACITOR

Expanded Model Nomenclature

M1 - AMEH800603BNAA
M2 - AMEH800603BXAA
M3 - AMEH800805CNAA
M4 - AMEH800805CXAA
M5 - AMEH800805DNAA
M6 - AMEH800805DXAA
M7 - AMEH801005CNAA
M8 - AMEH801005CXAA

Blower and Control Panel

Image 1

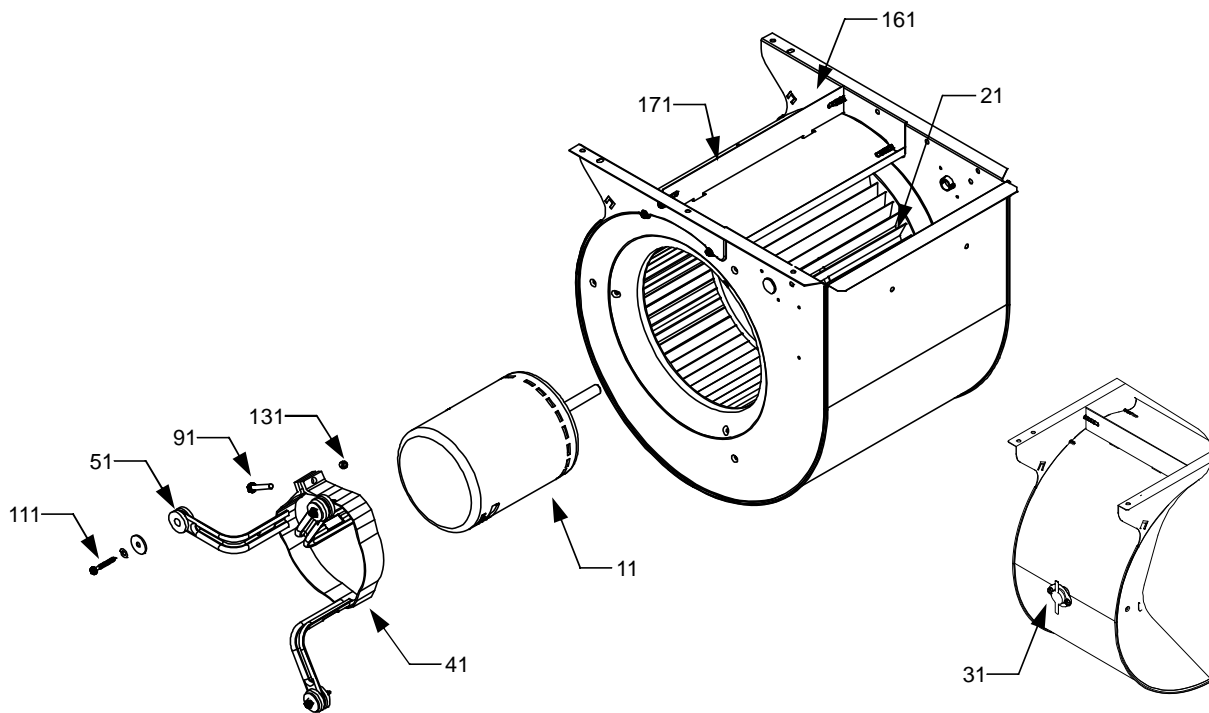
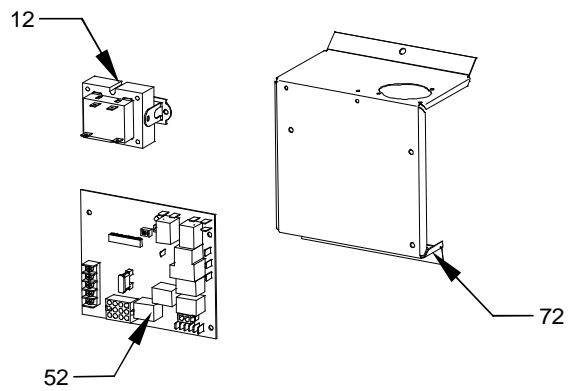


Image 2



Blower and Control Panel

Ref. Part No:	Ref. Part No:	Description:	Description:
---------------	---------------	--------------	--------------

Image 1:

11	0131M00177	BLOWER MOTOR 1 HP (M3, M4)
11	0131M00178	BLOWER MOTOR 1 HP (M7, M8)
11	0131M00176	BLOWER MOTOR 1/2 HP (M1, M2)
11	0131M00482	BLOWER MOTOR, 115V. 1HP PROG (M5, M6)
21	B1368016	BLOWER WHEEL 10 X 8 (M1, M2)
21	0150M00035	BLOWER WHEEL, 10 X 10 (M3, M4, M5, M6, M7, M8)
31	0130F00038	PRIMARY LIMIT - LT BLUE 120°
41	0121M00038	MOTOR MOUNT BAND
51	B1376853	MOTOR MOUNT ARM (QTY 3)
91	B1393323	MACHINE SCREW HWH 1/4-20 X 1-1/2 BZ
111	M0250565	TC SCREW 1.25" (QTY 3)
131	B1393800	LOCKNUT, NYLON, INSERT 1/4, 20
161	2539307	BLOWER HOUSING 10 X 10 (M3, M4, M5, M6, M7, M8)
161	2539306	BLOWER HOUSING 10 X 8 (M1, M2)
171	764740	BLOWER BLK-OFF,10X8 (M1, M2)
171	764741F	BLOWER BLOCK-OFF 10 X 10 (M3, M4, M5, M6, M7, M8)
NS	0130M00072	ECOTECH LOW VOLTAGE WIRE HARNE
NS	0130M00073	ECOTECH POWER HARNESS

Image 2:

12	0130M00140	TRANSFORMER 120V TO 24V, 40 VA
52	PCBBF132	PCB 2STAGE HYBRID FURNACE CNTL
72	1815817	CONTROL MOUNT PANEL
NS	B1393802	SUPPORT, 2-WING BOARD, .187 MT (QTY 4)
NS	B1393803	SUPPORT, SINGLE-WING BOARD

Expanded Model Nomenclature

M1 - AMEH800603BNAA
M2 - AMEH800603BXAA
M3 - AMEH800805CNAA
M4 - AMEH800805CXAA
M5 - AMEH800805DNAA
M6 - AMEH800805DXAA
M7 - AMEH801005CNAA
M8 - AMEH801005CXAA