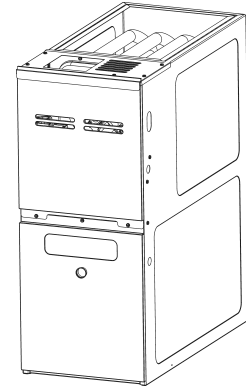


AMEC 80% Single Stage Upflow Furnace

AMEC800403ANAA
AMEC800603BNAA
AMEC800603BXAA
AMEC800803BNAA
AMEC800803BXAA
AMEC800804BNAA
AMEC800804BXAA
AMEC800804CNAA
AMEC800804CXAA
AMEC800805CNAA
AMEC800805CXAA
AMEC800805DXAA
AMEC801005CNAA
AMEC801005CXAA



Amana® is a registered trademark of Maytag Corporation or its related companies and is used under license. All rights reserved.

This manual is to be used by qualified technicians only.

Important Information

Index

Functional Parts List	3
Illustration and Parts	4 - 9

Views shown are for parts illustrations only, not servicing procedures

Text Codes:

AR - As Required

NA - Not Available

NS - Not Shown

00000000 - See Note

QTY - Quantity Example (QTY 3) (If Quantity not shown, Quantity = 1)

M - Model Example (M1) (If M Code not shown, then part is used on all Models)

Expanded Model Nomenclature:

Example M1 - Model#1 M2 - Model#2 M3 - Model#3

Goodman Company, L.P. is not responsible for personal injury or property damage resulting from improper service. Review all service information before beginning repairs.

Warranty service must be performed by an authorized technician, using authorized factory parts. If service is required after the warranty expires, Goodman Company, L.P. also recommends contacting an authorized technician and using authorized factory parts.

Goodman Company, L.P. reserves the right to discontinue, or change at any time, specifications or designs without notice or without incurring obligations.

For assistance within the U.S.A. contact:

Homeowner Support
Goodman Company, L.P.
19001 Kermier Road
Waller, Texas 77484
877-254-4729-Telephone
713-863-2382-Facsimile

For assistance outside the U.S.A. contact:

International Division
Goodman Company, L.P.
19001 Kermier Road
Waller, Texas 77484
713-861-2500-Telephone
713-863-2382-Facsimile

Functional Parts

Part

No: Description:

20162904	*PRIMARY LIMIT-TEMPERATURE CONTROL (M4, M5, M6, M7, M8, M9, M12) *Refer to service bulletin SF-054
0130F00574	AIR PRESSURE SWITCH (M1, M2, M3, M12)
0130F00573	AIR PRESSURE SWITCH (M8, M9)
0130F00038	AUX LIMIT - LT BLUE 120°
B1368034	BLOWER WHEEL (10 X 6) (M1)
B1368000	BLOWER WHEEL (11 X 10) (M12)
0130F00509	DUAL STAGE PRESSURE SWITCH (M4, M5, M10, M11)
0130F00508	DUAL STAGE PRESSURE SWITCH (M6, M7, M13, M14)
0130F00010	FLAME SENSOR
0151M00027	GAS VALVE
10690402	INTERLOCK SWITCH
20162903	LIMIT (M2, M3)
0130M00063	LIMIT, PRIMARY, 140, GOLD (M10, M11)
20162906	LIMIT-WHITE (M1)
20162905	LIMIT-YELLOW (M13, M14)
10123529	MANUAL RESET R.O.S. LIMIT (QTY 2)

Expanded Model Nomenclature

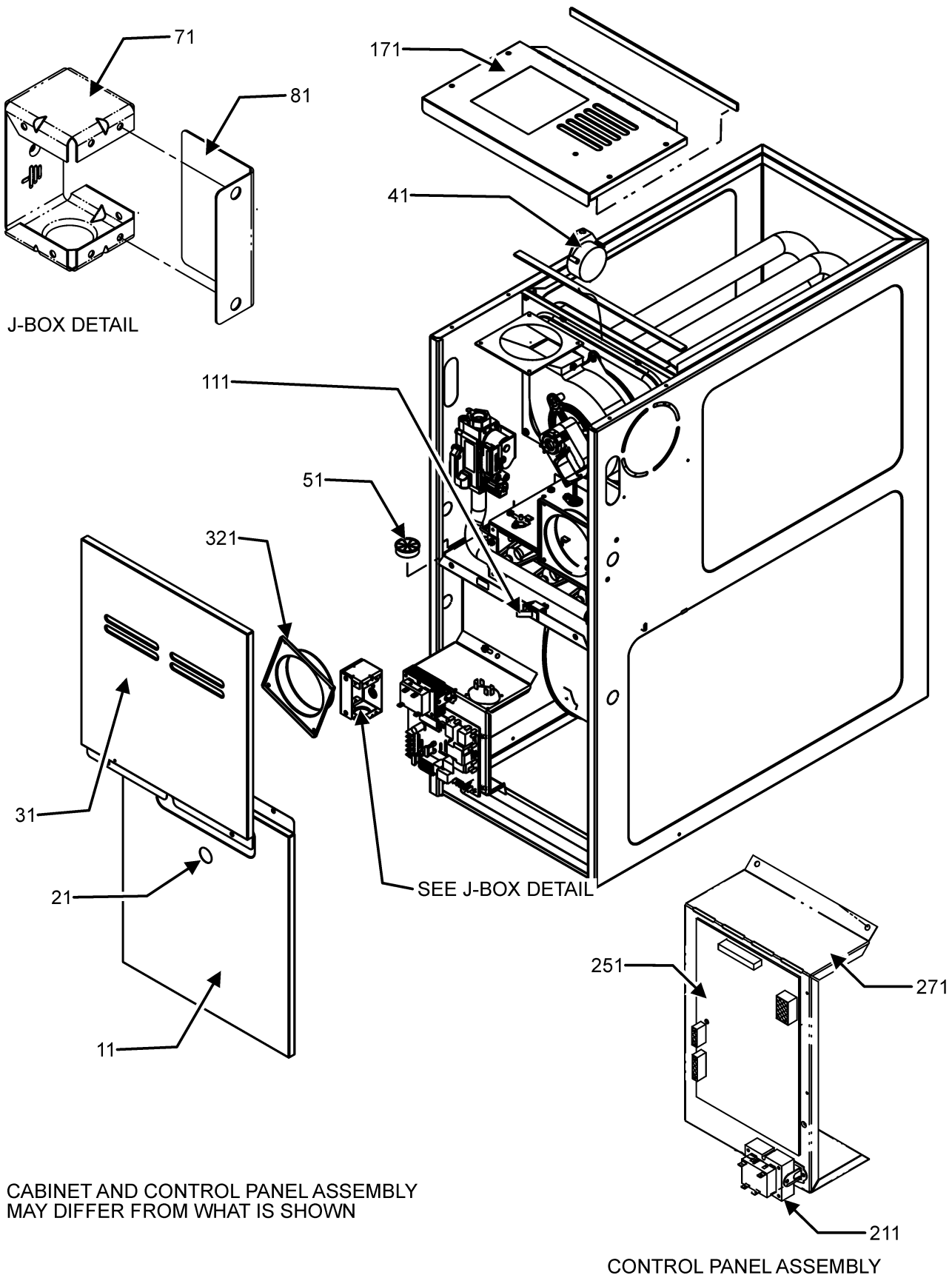
M1 - AMEC800403ANAA
M2 - AMEC800603BNAA
M3 - AMEC800603BXAA
M4 - AMEC800803BNAA
M5 - AMEC800803BXAA
M6 - AMEC800804BNAA
M7 - AMEC800804BXAA
M8 - AMEC800804CNAA
M9 - AMEC800804CXAA
M10 - AMEC800805CNAA
M11 - AMEC800805CXAA
M12 - AMEC800805DXAA
M13 - AMEC801005CNAA
M14 - AMEC801005CXAA

0131M00781P	MOTOR, VENT 2-STAGE
PCBBF139	PCB IGNITION CONTROL
0131F00161	PROGRAM, MOTOR (M6, M7)
0131F00151	PROGRAM, MOTOR (M10, M11)
0131F00154	PROGRAM, MOTOR (M13, M14)
0131F00160	PROGRAM, MOTOR (M2, M3)
0131F00162	PROGRAM, MOTOR (M4, M5)
0131F00163	PROGRAM, MOTOR (M1)
0131F00164	PROGRAM, MOTOR (M8, M9)
0131F00159	PROGRAM, MOTOR (M12)
0130F00008	SINI IGNITOR
0130M00140	TRANSFORMER,(120V TO 24V,40VA,
DY6.186.070	VENT MOTOR CAPACITOR
0150M00042	WHEEL, BLOWER (10 X 10) (M8, M9, M10, M11, M13, M14)
0150M00043	WHEEL, BLOWER (10 X 8) (M2, M3, M4, M5, M6, M7)

Special Parts

0161F00006	AMANA NAMEPLATE
------------	-----------------

Cabinet Assembly



CABINET AND CONTROL PANEL ASSEMBLY
MAY DIFFER FROM WHAT IS SHOWN

Cabinet Assembly

Ref. Part No:	Part No:	Description:	Ref. Part No:	Part No:	Description:
---------------	----------	--------------	---------------	----------	--------------

Image 1:

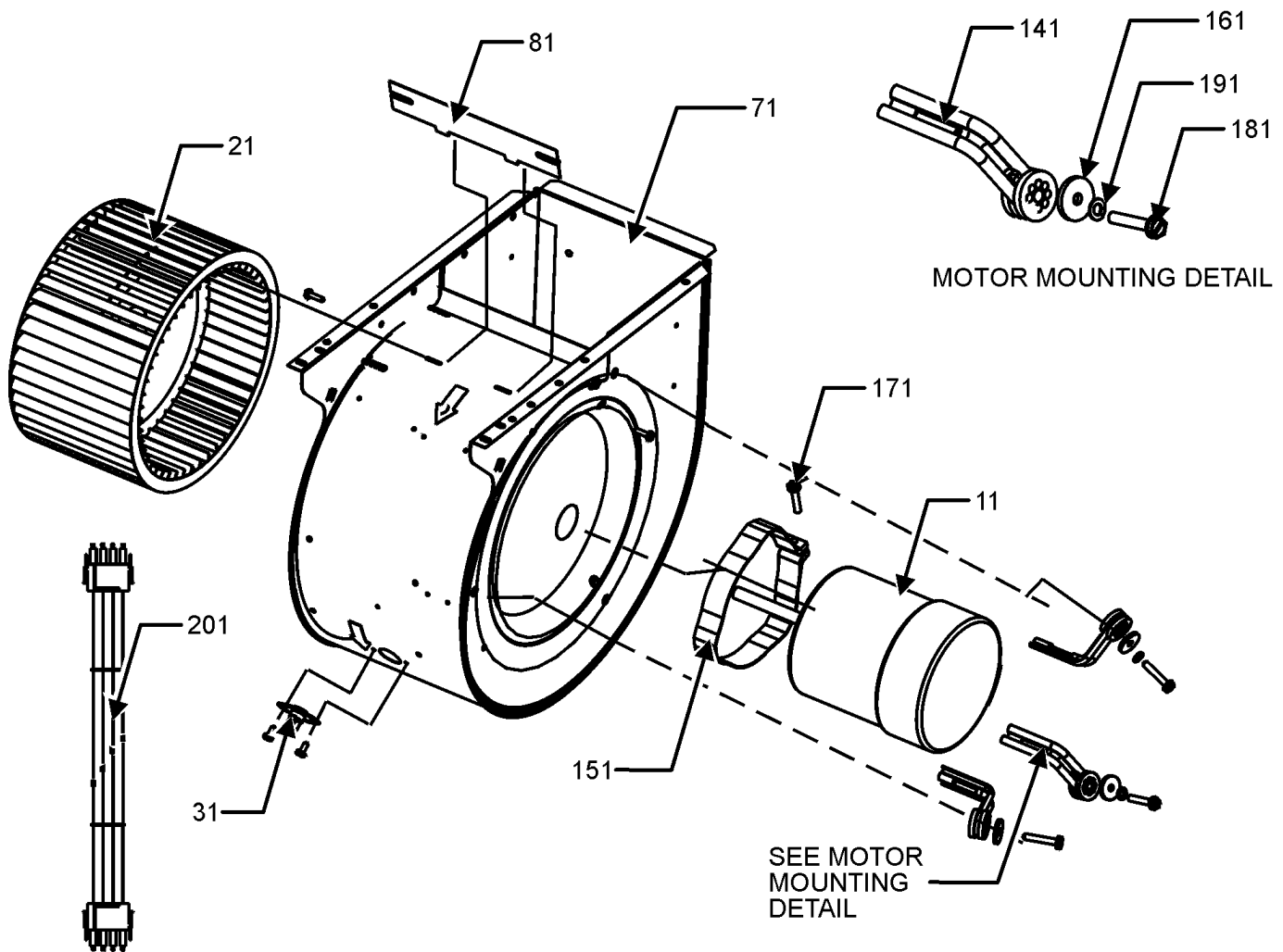
11	0121F00122LG	BLOWER ACCESS DOOR 14" (M1)
11	0121F00123LG	BLOWER ACCESS DOOR 17.5" (M2, M3, M4, M5, M6, M7)
11	0121F00124LG	BLOWER ACCESS DOOR 21" (M8, M9, M10, M11, M13, M14)
21	B1392139	VIEW PORT BUSHING-BLOWER DOOR
31	0121F00118LG	CONTROL ACCESS DOOR 14" (M1)
31	0121F00119LG	CONTROL ACCESS DOOR 17.5" (M2, M3, M4, M5, M6, M7)
31	0121F00120LG	CONTROL ACCESS DOOR 21" (M8, M9, M10, M11, M13, M14)
41	0130F00573	AIR PRESSURE SWITCH (M8, M9)
41	0130F00574	AIR PRESSURE SWITCH (M1, M2, M3, M12)
41	0130F00508	DUAL STAGE PRESSURE SWITCH (M6, M7, M13, M14)
41	0130F00509	DUAL STAGE PRESSURE SWITCH (M4, M5, M10, M11)
51	B1392147	UNIVERSAL BUSHING WITH SLICE
71	4014502	J-BOX
81	4015502	COVER, J-BOX
111	10690402	INTERLOCK SWITCH
171	0121F00141DG	TOP 14" (M1)
171	0121F00142DG	TOP 17.5" (M2, M3, M4, M5, M6, M7)
171	0121F00143DG	TOP 21" (M8, M9, M10, M11, M13, M14)
211	0130M00140	TRANSFORMER,(120V TO 24V,40VA,
251	PCBBF139	PCB IGNITION CONTROL
271	0121F00464	MOUNTING PLATE-CONTROLS
321	4023500	CHIMNEY TRANSITION TOP
NS	0161F00006	AMANA NAMEPLATE

Expanded Model Nomenclature

- | |
|----------------------|
| M1 - AMEC800403ANAA |
| M2 - AMEC800603BNAA |
| M3 - AMEC800603BXAA |
| M4 - AMEC800803BNAA |
| M5 - AMEC800803BXAA |
| M6 - AMEC800804BNAA |
| M7 - AMEC800804BXAA |
| M8 - AMEC800804CNAA |
| M9 - AMEC800804CXAA |
| M10 - AMEC800805CNAA |
| M11 - AMEC800805CXAA |
| M12 - AMEC800805DXAA |
| M13 - AMEC801005CNAA |
| M14 - AMEC801005CXAA |

Blower Assembly

BLOWER ASSEMBLY



Blower Assembly

Ref. Part No:	No:	Description:	Ref. Part No:	No:	Description:
---------------	-----	--------------	---------------	-----	--------------

Image 1:

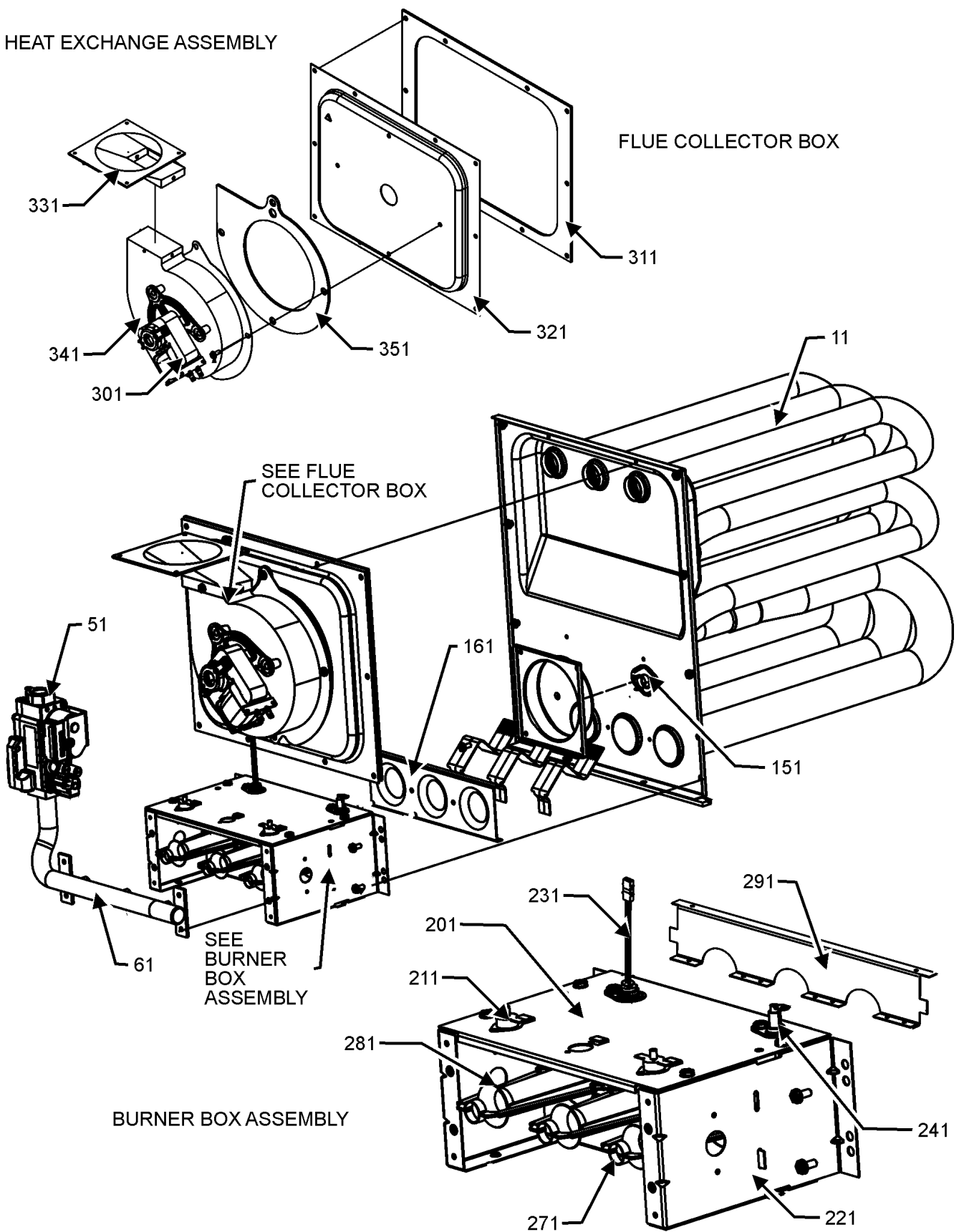
21	B1368034	BLOWER WHEEL (10 X 6) (M1)
21	B1368000	BLOWER WHEEL (11 X 10) (M12)
21	0150M00042	WHEEL, BLOWER (10 X 10) (M8, M9, M10, M11, M13, M14)
21	0150M00043	WHEEL, BLOWER (10 X 8) (M2, M3, M4, M5, M6, M7)
31	0130F00038	AUX LIMIT - LT BLUE 120°
71	2539307	BLOWER HOUSING 10 X 10 (M8, M9, M10, M11, M12, M13, M14)
71	2539305	BLOWER HOUSING 10 X 6 (M1)
71	2539306	BLOWER HOUSING 10 X 8 (M2, M3, M4, M5, M6, M7)
81	764741	BLOWER BLOCK-OFF 10 X 10 (M8, M9, M10, M11, M12, M13, M14)
81	764740	BLOWER BLOCK-OFF 10 X 8 (M2, M3, M4, M5, M6, M7)
81	764739	BLOWER CUT-OFF 10 X 6 (M1)
141	B1376863	MOUNT ARM, MOTOR (HEAVY DUTY) (QTY 3)
151	0121M00039	MOUNT BAND, MOTOR (HEAVY DUTY) WASHER
161	B1392918	FLAT 1/4 ID X 1OD (QTY 3)
171	0163M00320	HEX HEAD ALL THREAD TAP BOLT
181	M0250565	SCREW-TC 1.25" (QTY 3)
191	B1393800	LOCKNUT NYLON INSERT 1/4,20
11	0131F00151	PROGRAM, MOTOR (M10, M11)
11	0131F00154	PROGRAM, MOTOR (M13, M14)
11	0131F00159	PROGRAM, MOTOR (M12)
11	0131F00160	PROGRAM, MOTOR (M2, M3)
11	0131F00161	PROGRAM, MOTOR (M6, M7)
11	0131F00162	PROGRAM, MOTOR (M4, M5)
11	0131F00163	PROGRAM, MOTOR (M1)
11	0131F00164	PROGRAM, MOTOR (M8, M9)
201	0159F00076	WIRING HARNESS

Expanded Model Nomenclature

M1 - AMEC800403ANAA
M2 - AMEC800603BNAA
M3 - AMEC800603BXAA
M4 - AMEC800803BNAA
M5 - AMEC800803BXAA
M6 - AMEC800804BNAA
M7 - AMEC800804BXAA
M8 - AMEC800804CNAA
M9 - AMEC800804CXAA
M10 - AMEC800805CNAA
M11 - AMEC800805CXAA
M12 - AMEC800805DXAA
M13 - AMEC801005CNAA
M14 - AMEC801005CXAA

Heat Exchange Assembly

HEAT EXCHANGE ASSEMBLY



Heat Exchange Assembly

Ref. Part No:	Ref. Part No:	Description:	Description:
Image 1:		Image 1:	
11	0270F00931	HEAT EXCHANGER ASSY (M1)	351 0154F00004 GASKET-17.5 INCH (M2, M3, M4, M5, M6, M7)
11	0270F00933	HEAT EXCHANGER ASSY (M2, M3)	351 0154F00005 GASKET-21 INCH (M8, M9, M10, M11, M12, M13, M14)
11	0270F00934	HEAT EXCHANGER ASSY (M4, M5, M6, M7)	
11	0270F00935	HEAT EXCHANGER ASSY (M8, M9, M10, M11)	
11	0270F00936	HEAT EXCHANGER ASSY (M13, M14)	
11	0270F03017	HEAT EXCHANGER ASSY (M12)	
51	0151M00027	GAS VALVE	
61	0120F00006	MANIFOLD (M1)	
61	0120F00007	MANIFOLD (M2, M3)	
61	0120F00008	MANIFOLD (M4, M5, M6, M7, M8, M9, M10, M11, M12)	
61	0120F00009	MANIFOLD (M13, M14)	
151	20162904	*PRIMARY LIMIT-TEMPERATURE CONTROL (M4, M5, M6, M7, M8, M9, M12) *Refer to service bulletin SF-054	
151	20162903	LIMIT (M2, M3)	
151	0130M00063	LIMIT, PRIMARY, 140, GOLD (M10, M11)	
151	20162906	LIMIT-WHITE (M1)	
151	20162905	LIMIT-YELLOW (M13, M14)	
161	4028000	ORIFICE SHIELD 2 CELL (M1)	
161	4028001	ORIFICE SHIELD 3 CELL (M2, M3)	
161	4028002	ORIFICE SHIELD 4 CELL (M4, M5, M6, M7, M8, M9, M10, M11, M12)	
161	4028003	ORIFICE SHIELD 5 CELL (M13, M14)	
201	0121F00162	BURNER BOX TOP 2 CELL (M1)	
201	0121F00163	BURNER BOX TOP 3 CELL (M2, M3)	
201	0121F00164	BURNER BOX TOP 4 CELL (M4, M5, M6, M7, M8, M9, M10, M11, M12)	
201	0121F00165	BURNER BOX TOP 5 CELL (M13, M14)	
211	10123529	MANUAL RESET R.O.S. LIMIT (QTY 2)	
221	0121F00146	SIDE PLATE BURNER BOX (QTY 2)	
231	0130F00008	SINI IGNITOR	
241	0130F00010	FLAME SENSOR	
271	10716005	ORIFICE (QTY 2)	
281	B4022700	INSHOT BURNER ASSY 3" (QTY 2)	
291	0121F00167	BURNER BRACKET 2B (M1)	
291	0121F00168	BURNER BRACKET 3B (M2, M3)	
291	0121F00169	BURNER BRACKET 4B (M4, M5, M6, M7, M8, M9, M10, M11, M12)	
291	0121F00170	BURNER BRACKET 5B (M13, M14)	
301	DY6.186.070	VENT MOTOR CAPACITOR	
311	0154F00003	GASKET-14 INCH (M1)	
311	0154F00004	GASKET-17.5 INCH (M2, M3, M4, M5, M6, M7)	
311	0154F00005	GASKET-21 INCH (M8, M9, M10, M11, M12, M13, M14)	
321	0121F00327	14" COLLECTOR BOX 1.125" DIA (M1)	
321	0121F00328	17.5" COLLECTOR BOX 1.250" DIA (M2, M3)	
321	0121F00334	21" COLLECTOR BOX 1.625" DIA (M12)	
321	0121F00333	21" COLLECTOR BOX 1.75" DIA (M13, M14)	
321	0121F00336	21" FLUE COLLECTOR BOX 1.50" (M10, M11)	
321	0121F00655	COLLECTOR BOX 17.5" 1.437 DIA (M4, M5, M6, M7)	
321	0121F00659	COLLECTOR BOX 21" 1.40 DIA (M8, M9)	
331	0128F00006	CHIMNEY TRANSITION BOTTOM	
341	0131M00781P	MOTOR, VENT 2-STAGE	
351	0154F00003	GASKET-14 INCH (M1)	

Expanded Model Nomenclature

M1 - AMEC800403ANAA
M2 - AMEC800603BNAA
M3 - AMEC800603BXAA
M4 - AMEC800803BNAA
M5 - AMEC800803BXAA
M6 - AMEC800804BNAA
M7 - AMEC800804BXAA
M8 - AMEC800804CNAA
M9 - AMEC800804CXAA
M10 - AMEC800805CNAA
M11 - AMEC800805CXAA
M12 - AMEC800805DXAA
M13 - AMEC801005CNAA
M14 - AMEC801005CXAA