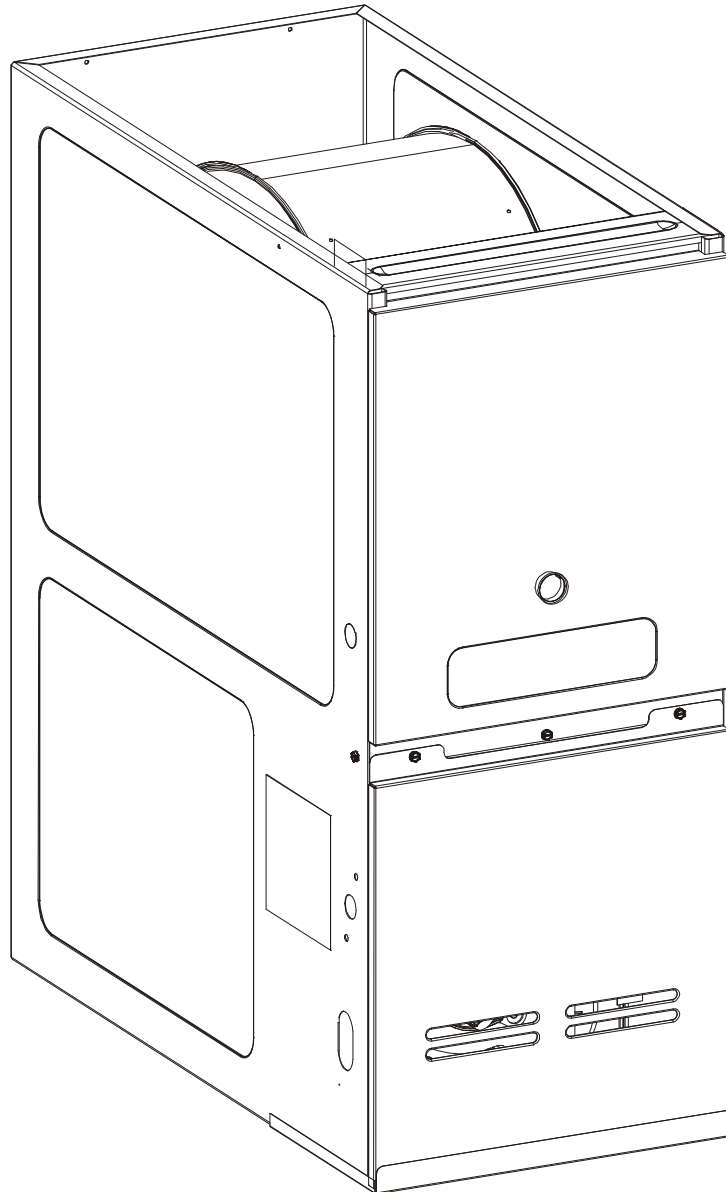


REPAIR PARTS

ADVC8 80% Variable Speed Communicating Furnace

ADVC80603BNAA
ADVC80603BNBA
ADVC80603BNBB
ADVC80603BXAA
ADVC80603BXBA
ADVC80603BXBB
ADVC80703BXAA
ADVC80805CNAA
ADVC80805CNBA
ADVC80805CNBB
ADVC80805CXAA
ADVC80805CXBA
ADVC80805CXBB
ADVC80905CXAA
ADVC81005CNAA
ADVC81005CNBA
ADVC81005CNBB
ADVC81005CXAA
ADVC81005CXBA
ADVC81005CXBB
ADVC81155CXAA



This manual is to be used by qualified technicians only.

This manual replaces RP-584B.

© 2009,2012 Goodman Manufacturing Company, L.P. ♦ 5151 San Felipe, Suite 500 ♦ Houston, TX 77056

Important Information

Index

Functional Parts List	3
Illustration and Parts	4 - 9

Views shown are for parts illustrations only, not servicing procedures

1-10-14 corrections: Added ID vent motor.

Text Codes:

AR - As Required

NA - Not Available

NS - Not Shown

00000000 - See Note

QTY - Quantity Example (QTY 3) (If Quantity not shown, Quantity = 1)

M - Model Example (M1) (If M Code not shown, then part is used on all Models)

Expanded Model Nomenclature:

Example M1 - Model#1 M2 - Model#2 M3 - Model#3

Goodman Manufacturing Company, L.P. is not responsible for personal injury or property damage resulting from improper service. Review all service information before beginning repairs.

Warranty service must be performed by an authorized technician, using authorized factory parts. If service is required after the warranty expires, Goodman Manufacturing Company, L.P. also recommends contacting an authorized technician and using authorized factory parts.

Goodman Manufacturing Company, L.P. reserves the right to discontinue, or change at any time, specifications or designs without notice or without incurring obligations.

For assistance within the U.S.A. contact:
Consumer Affairs Department
Goodman Manufacturing Company, L.P.
7401 Security Way
Houston, Texas 77040
877-254-4729-Telephone
713-863-2382-Facsimile

For assistance outside the U.S.A. contact:
International Division
Goodman Manufacturing Company, L.P.
7401 Security Way
Houston, Texas 77040
713-861-2500-Telephone
713-863-2382-Facsimile

Functional Parts

**Part
No:**

Description:

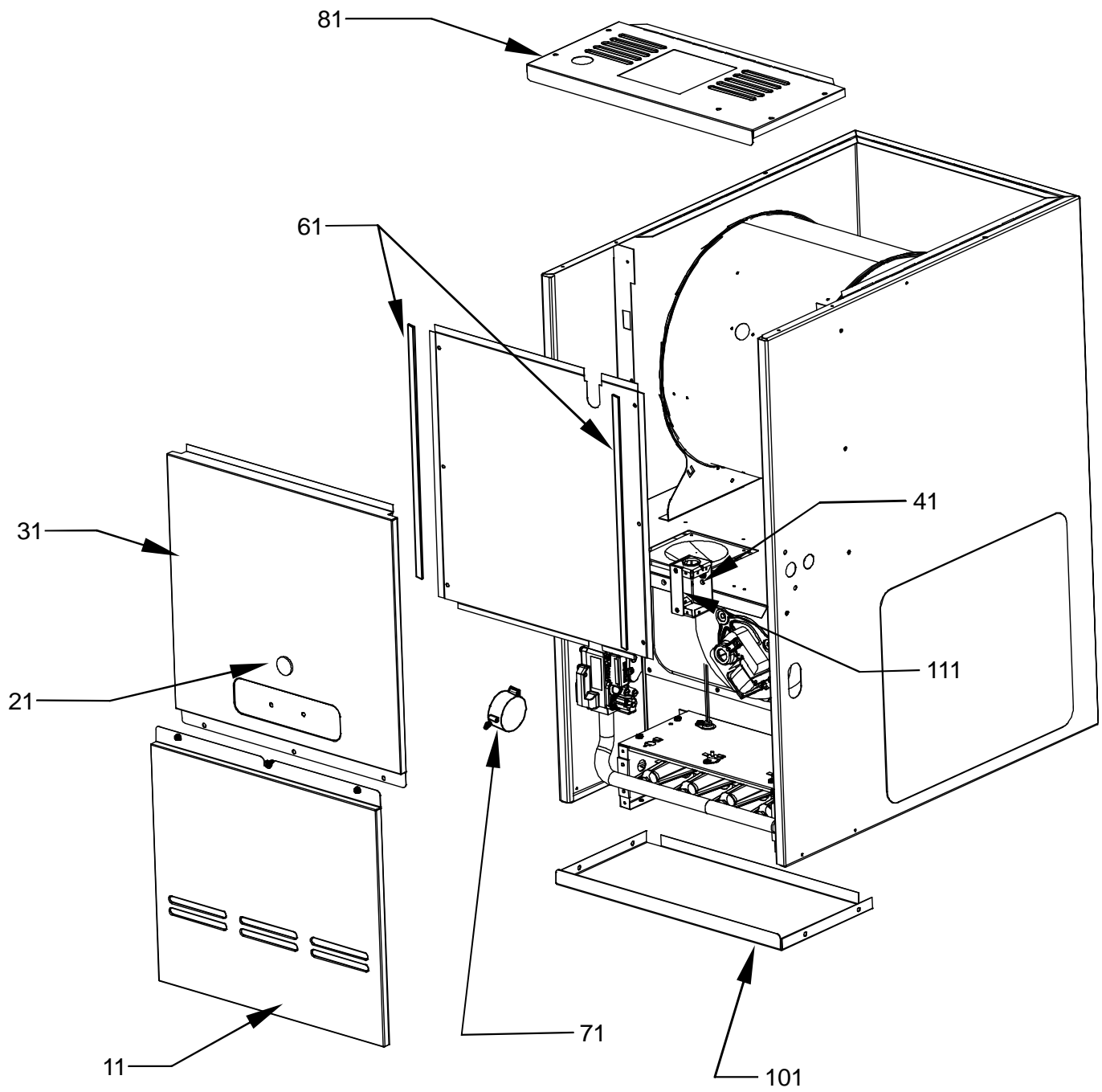
Expanded Model Nomenclature

Part No:	Description:	Expanded Model Nomenclature
0130F00049	AIR PRESSURE SWITCH (M9, M10, M12, M13, M16, M17, M20)	M1 - ADVC80603BNAA
0130F00010	FLAME SENSOR	M2 - ADVC80603BNBA
0130F00008	IGNITOR-SINI 17 SEC	M3 - ADVC80603BNBB
B1141666	INDUCTOR-5.9 AMP	M4 - ADVC80603BXAA
B1370818	INTERLOCK SWITCH	M5 - ADVC80603BXBA
0130F00067	LIMIT (M1, M2, M3, M4, M5, M6, M7, M8, M9, M10, M11, M12, M13, M14)	M6 - ADVC80603BXBB
0130F00071	LIMIT SWITCH (M15, M18, M21)	M7 - ADVC80703BXAA
10123529	MANUAL RESET LIMIT	M8 - ADVC80805CNAA
0130F00255	MEMORY CHIP (M13)	M9 - ADVC80805CNBA
0130F00064	MEMORY CHIP (M1, M2, M4, M5, M7)	M10 - ADVC80805CNBB
0130F00252	MEMORY CHIP (M3)	M11 - ADVC80805CXAA
0130F00257	MEMORY CHIP (M20)	M12 - ADVC80805CXBA
0130F00256	MEMORY CHIP (M17)	M13 - ADVC80805CXBB
0130F00065	MEMORY CHIP (M8, M9, M11, M12, M14)	M14 - ADVC80905CXAA
0130F00066	MEMORY CHIP (M15, M16, M18, M19, M21)	M15 - ADVC81005CNAA
0130F00254	MEMORY CHIP (M10)	M16 - ADVC81005CNBA
0130F00253	MEMORY CHIP (M6)	M17 - ADVC81005CNBB
0131M00271	MOTOR, 3/4 HP, SERIAL ECM	M18 - ADVC81005CXAA
0131M00003P	MOTOR, VENT 2-STAGE	M19 - ADVC81005CXBA
PCBKF103	PCB, CONTROL, FURNACE	M20 - ADVC81005CXBB
B1370210	PRESSURE SWITCH, PINK (M1, M2, M3, M4, M5, M6, M7, M8, M11, M14, M15, M18, M19, M21)	M21 - ADVC81155CXAA
0130F00038	PRIMARY LIMIT - LT BLUE 120°	
0130F00036	PRIMARY LIMIT, PINK 180°	
B1141605	TRANSFORMER 120V TO 24V, 40 VA	
0151M00028	VALVE,GAS(HW)VR92	

SPECIAL PARTS

0161F00006	AMANA NAMEPLATE
0259F00066	INDUCER HARNESS ASSY

Cabinet



Cabinet

Ref. Part No:	No:	Description:	Ref. Part No:	No:	Description:
<i>Image 1:</i>			Expanded Model Nomenclature		
11	0121F00119LG	CONTROL ACCESS DOOR 17.5" (M1, M2, M3, M4, M5, M6, M7)	M1 -	ADVC80603BNAA	
11	0121F00120LG	CONTROL ACCESS DOOR 21" (M8, M9, M10, M11, M12, M13, M14, M15, M16, M17, M18, M19, M20, M21)	M2 -	ADVC80603BNBA	
21	B1392139	VIEW PORT BUSHING-BLOWER DOOR	M3 -	ADVC80603BNBB	
31	0121F00123LG	BLOWER ACCESS DOOR 17.5" (M1, M2, M3, M4, M5, M6, M7)	M4 -	ADVC80603BXAA	
31	0121F00124LG	BLOWER ACCESS DOOR 21" (M8, M9, M10, M11, M12, M13, M14, M15, M16, M17, M18, M19, M20, M21)	M5 -	ADVC80603BXBA	
41	4014502	J-BOX	M6 -	ADVC80603BXBB	
61	B13926112	SEAL STRIP, 1/8 X 1/2 X 17.5 (M1, M2, M3, M4, M5, M6, M7)	M7 -	ADVC80703BXAA	
61	B13926113	SEAL STRIP, 1/8 X 1/2 X 21 (M8, M9, M10, M11, M12, M13, M14, M15, M16, M17, M18, M19, M20, M21)	M8 -	ADVC80805CNAA	
71	0130F00049	AIR PRESSURE SWITCH (M9, M10, M12, M13, M16, M17, M20)	M9 -	ADVC80805CNBA	
71	B1370210	PRESSURE SWITCH, PINK (M1, M2, M3, M4, M5, M6, M7, M8, M11, M14, M15, M18, M19, M21)	M10 -	ADVC80805CNBB	
81	0121F00142DG	TOP 17.5" (M1, M2, M3, M4, M5, M6, M7)	M11 -	ADVC80805CXAA	
81	0121F00143DG	TOP 21" (M8, M9, M10, M11, M12, M13, M14, M15, M16, M17, M18, M19, M20, M21)	M12 -	ADVC80805CXBA	
101	0121F00190DG	FURNACE BOTTOM 17.5" (M1, M2, M3, M4, M5, M6, M7)	M13 -	ADVC80805CXBB	
101	0121F00191DG	FURNACE BOTTOM 21" (M8, M9, M10, M11, M12, M13, M14, M15, M16, M17, M18, M19, M20, M21)	M14 -	ADVC80905CXAA	
111	4015502	J-BOX COVER	M15 -	ADVC81005CNAA	
NS	0161F00006	AMANA NAMEPLATE	M16 -	ADVC81005CNBA	
NS	0259F00066	INDUCER HARNESS ASSY	M17 -	ADVC81005CNBB	
NS	B1370818	INTERLOCK SWITCH	M18 -	ADVC81005CXAA	
NS	B1392147	UNIVERSAL BUSHING WITH SLICE	M19 -	ADVC81005CXBA	
NS	0259F00064	WIRE HARNESS ASSY (M7, M14, M21)	M20 -	ADVC81005CXBB	
NS	0259F00065	WIRE HARNESS ASSY	M21 -	ADVC81155CXAA	
NS	0259F00076	WIRE HARNESS ASSY (M1, M2, M4, M5, M8, M9, M11, M12, M15, M16, M18, M19)			
NS	0259F00080	WIRE HARNESS ASSY (M3, M6, M10, M13, M17, M20)			

Heat Exchanger Assy

Image 1

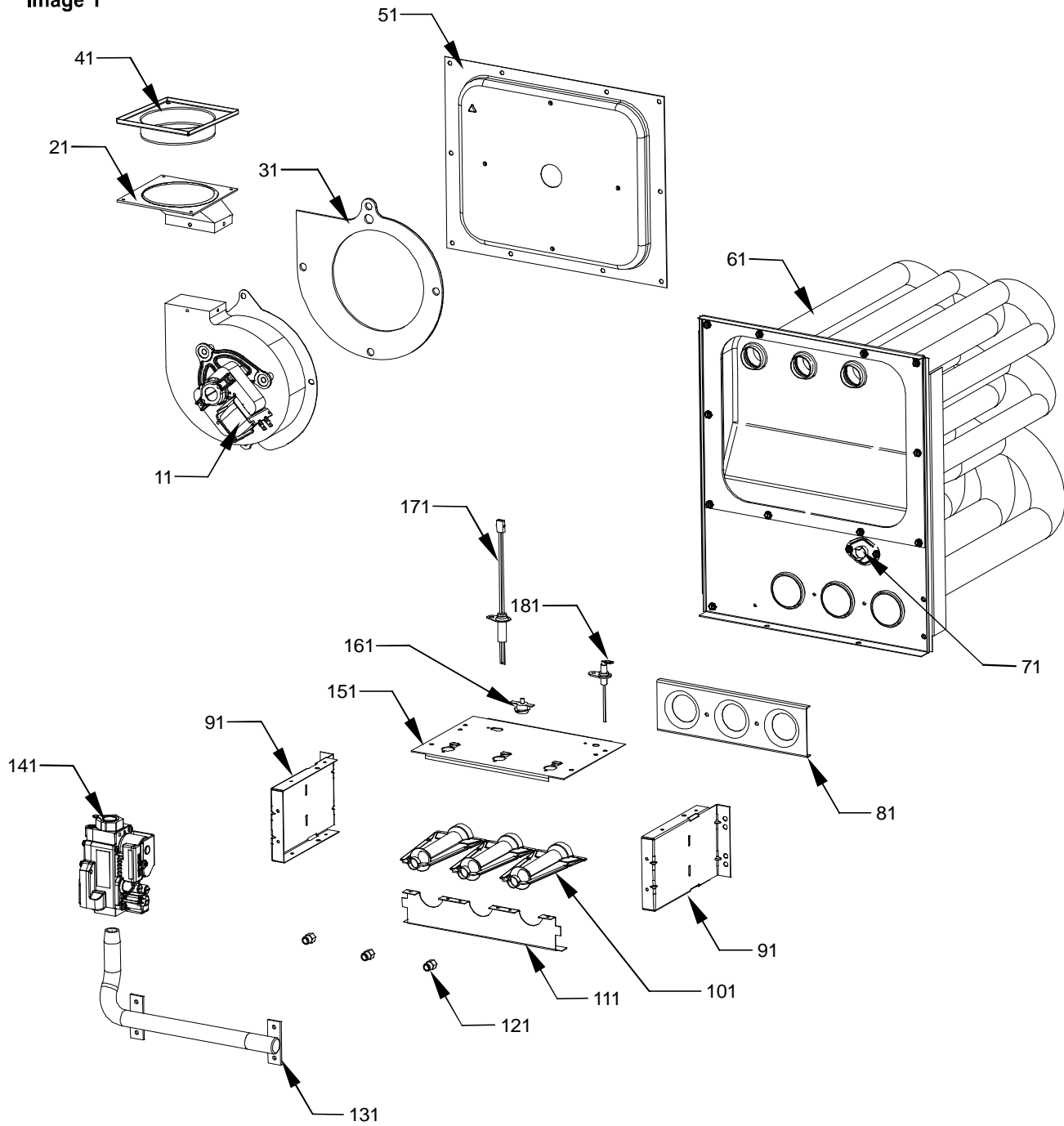
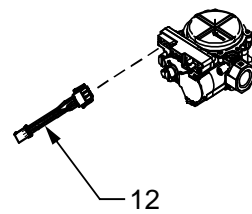


Image 2



Heat Exchanger Assy

Ref. Part No:	No:	Description:	Ref. Part No:	No:	Description:
<i>Image 1:</i>			<i>Image 1:</i>		
11	0131M00003P	MOTOR, VENT 2-STAGE	151	0121F00164	BURNER BOX TOP 4 CELL (M8, M9, M10, M11, M12, M13, M14)
21	0128F00006	CHIMNEY TRANSITION BOTTOM	151	0121F00165	BURNER BOX TOP 5 CELL (M15, M16, M17, M18, M19, M20, M21)
31	0154F00004	VENT MOTOR GASKET 17.5" (M1, M2, M3, M4, M5, M6, M7)	161	10123529	MANUAL RESET LIMIT
31	0154F00005	VENT MOTOR GASKET 21" (M8, M9, M10, M11, M12, M13, M14, M15, M16, M17, M18, M19, M20, M21)	171	0130F00008	IGNITOR-SINI 17 SEC
41	4023500	CHIMNEY TRANSITION TOP	181	0130F00010	FLAME SENSOR
51	0121F00332	17.5" FLUE COLLECTOR BOX 1.375" DIA (M2, M3, M5, M6)	NS	0130F00036	PRIMARY LIMIT, PINK 180°
51	0121F00333	21" FLUE COLLECTOR BOX 1.75" DIA (M16, M17, M19, M20)	<i>Image 2:</i>		
51	0121F00365	21" FLUE COLLECTOR BOX 1.437" DIA. (M9, M10, M12, M13)	12	0259M00004	WIRE HARNESS, ADAPTOR (M7, M14, M21)
51	0121F00161	FLUE COLLECTOR BOX KIT 17.5" 2.0 DIA (M1, M4, M7)	Expanded Model Nomenclature		
51	0121F00130	FLUE COLLECTOR BOX KIT 21" 2.25 DIA (M8, M11, M14)	<div style="border: 1px solid black; padding: 5px;"> M1 - ADVC80603BNAA M2 - ADVC80603BNBA M3 - ADVC80603BNBB M4 - ADVC80603BXAA M5 - ADVC80603BXBA M6 - ADVC80603BXBB M7 - ADVC80703BXAA M8 - ADVC80805CNAA M9 - ADVC80805CNBA M10 - ADVC80805CNBB M11 - ADVC80805CXAA M12 - ADVC80805CXBA M13 - ADVC80805CXBB M14 - ADVC80905CXAA M15 - ADVC81005CNAA M16 - ADVC81005CNBA M17 - ADVC81005CNBB M18 - ADVC81005CXAA M19 - ADVC81005CXBA M20 - ADVC81005CXBB M21 - ADVC81155CXAA </div>		
51	0121F00223	FLUE COLLECTOR BOX KIT 21" 2.625 DIA (M15, M18, M21)			
61	0270F00933	HEAT EXCHANGER ASSY (M1, M2, M3, M4, M5, M6, M7)			
61	0270F00935	HEAT EXCHANGER ASSY (M8, M9, M10, M11, M12, M13, M14)			
61	0270F00936	HEAT EXCHANGER ASSY (M15, M16, M17, M18, M19, M20, M21)			
71	0130F00067	LIMIT (M1, M2, M3, M4, M5, M6, M7, M8, M9, M10, M11, M12, M13, M14)			
71	0130F00071	LIMIT SWITCH (M15, M18, M21)			
81	4028001	ORIFICE SHIELD 3 CELL (M1, M2, M3, M4, M5, M6, M7)			
81	4028002	ORIFICE SHIELD 4 CELL (M8, M9, M10, M11, M12, M13, M14)			
81	4028003	ORIFICE SHIELD 5 CELL (M15, M16, M17, M18, M19, M20, M21)			
91	0121F00146	BURNER BOX SIDE (QTY 2)			
101	B4022700	INSHOT BURNER ASSY 3" (QTY A/R)			
111	0121F00168	BURNER BRACKET 3B (M1, M2, M3, M4, M5, M6, M7)			
111	0121F00169	BURNER BRACKET 4B (M8, M9, M10, M11, M12, M13, M14)			
111	0121F00170	BURNER BRACKET 5B (M15, M16, M17, M18, M19, M20, M21)			
121	10716003	ORIFICE (M1, M4, M7, M8, M11, M14, M15, M18, M21)			
121	B4089345	ORIFICE (M2, M3, M5, M6, M9, M10, M12, M13, M16, M17, M19, M20)			
131	0120F00007	MANIFOLD (M1, M2, M3, M4, M5, M6, M7)			
131	0120F00008	MANIFOLD (M8, M9, M10, M11, M12, M13, M14)			
131	0120F00009	MANIFOLD (M15, M16, M17, M18, M19, M20, M21)			
141	0151M00028	VALVE,GAS(HW)VR92			
151	0121F00163	BURNER BOX TOP 3 CELL (M1, M2, M3, M4, M5, M6, M7)			

Blower and Control Panel

Image 1

*If end bells are needed please order the following:

0131M00182 - 1/2 HP

0131M00183 - 3/4 HP

0131M00184 - 1 HP

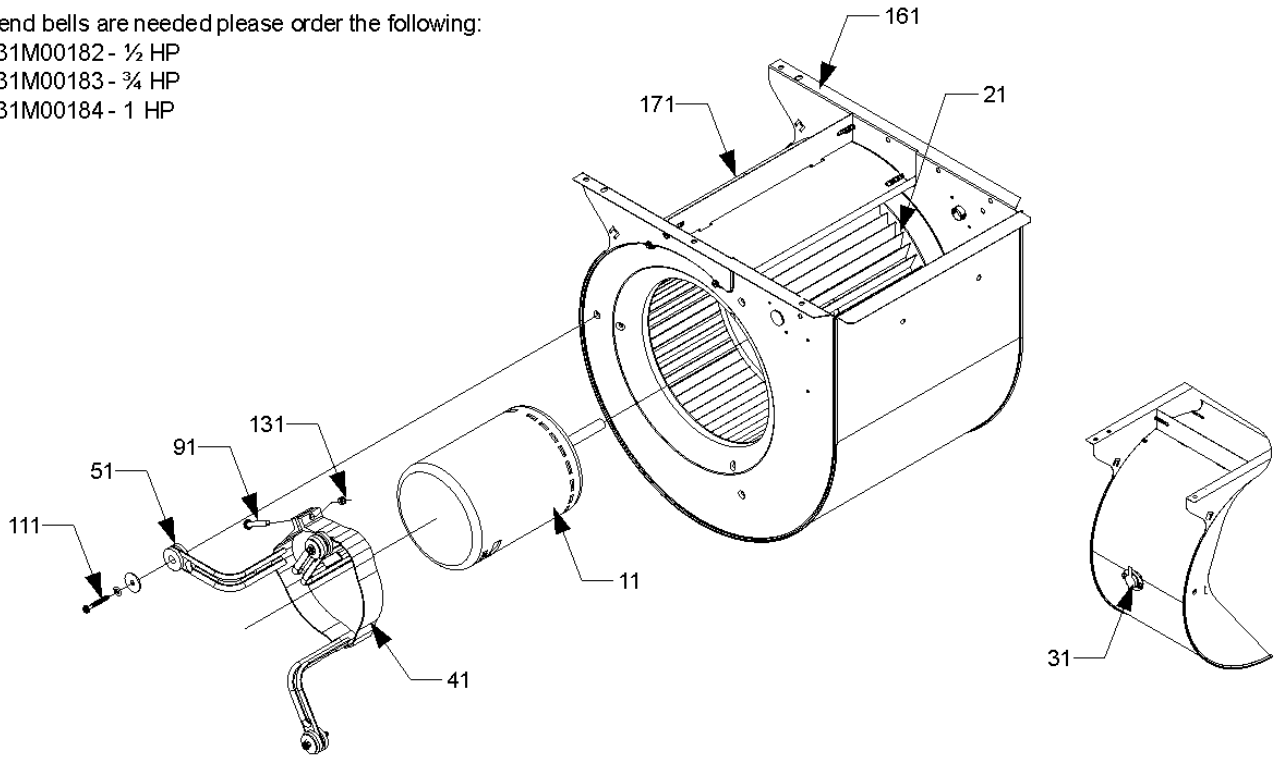
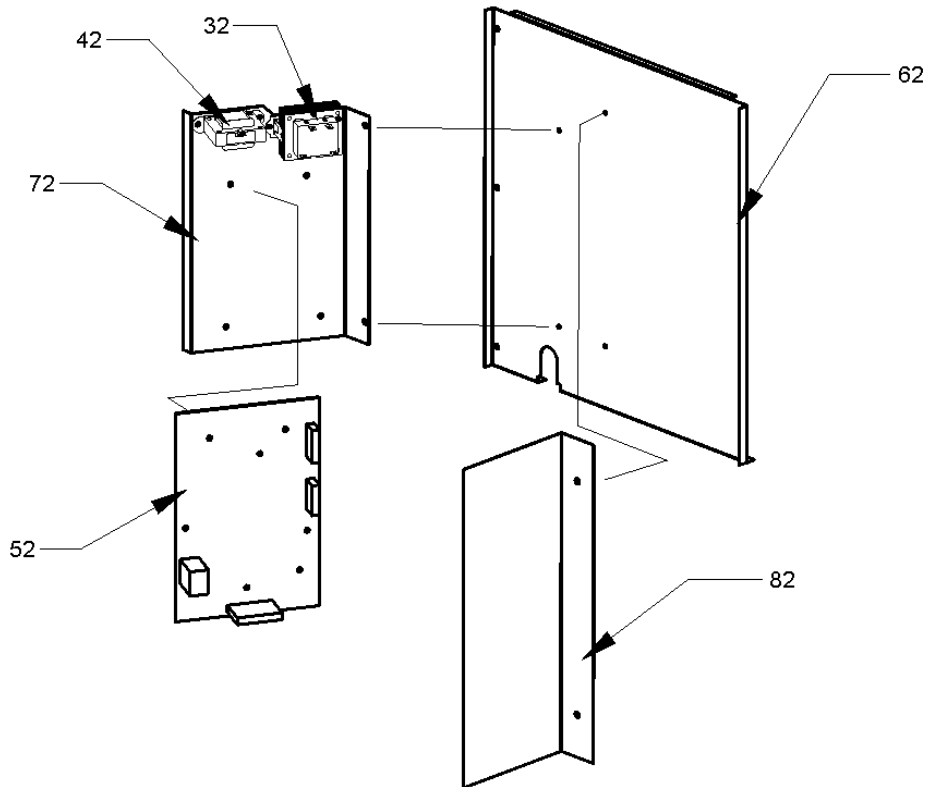


Image 2



Blower and Control Panel

**Ref. Part
No: No:**

Description:

**Ref. Part
No: No:**

Description:

Image 1:

11	0131M00271	MOTOR, 3/4 HP, SERIAL ECM
21	B1368047	BLOWER WHEEL 10 X 10 (M8, M9, M10, M11, M12, M13, M14, M15, M16, M17, M18, M19, M20, M21)
21	B1368016S	BLOWER WHEEL 10 X 8 (M1, M2, M3, M4, M5, M6, M7)
31	0130F00038	PRIMARY LIMIT - LT BLUE 120°
41	0121M00038	MOTOR MOUNT BAND
51	B1376853	MOTOR MOUNT ARM (M1, M2, M3, M4, M5, M6, M7)
51	B1376857	MOTOR MOUNT ARM (M8, M9, M10, M11, M12, M13, M14, M15, M16, M17, M18, M19, M20, M21)
91	B1393323	MACHINE SCREW HWH 1/4-20 X 1-1/2 BZ
111	M0250565	TC SCREW 1.25" (QTY 3)
131	B1393800	LOCKNUT, NYLON, INSERT 1/4, 20
161	2539307	BLOWER HOUSING 10 X 10 (M8, M9, M10, M11, M12, M13, M14, M15, M16, M17, M18, M19, M20, M21)
161	2539306	BLOWER HOUSING 10 X 8 (M1, M2, M3, M4, M5, M6, M7)
171	764741F	BLOWER BLOCK-OFF 10 X 10 (M8, M9, M10, M11, M12, M13, M14, M15, M16, M17, M18, M19, M20, M21)
171	764740F	BLOWER BLOCK-OFF 10 X 8 (M1, M2, M3, M4, M5, M6, M7)
NS	0259F00067	CONTROL HARNESS
NS	0259F00068	POWER HARNESS

Image 2:

32	B1141605	TRANSFORMER 120V TO 24V, 40 VA
42	B1141666	INDUCTOR-5.9 AMP
52	PCBKF103	PCB, CONTROL, FURNACE
62	0121F00227	DOOR, INNER 17.5" (M1, M2, M3, M4, M5, M6, M7)
62	0121F00228	DOOR, INNER 21" (M8, M9, M10, M11, M12, M13, M14, M15, M16, M17, M18, M19, M20, M21)
72	0121F00186	BRACKET, CONTROL
82	0121F00229	HEAT SHIELD
NS	0130F00064	MEMORY CHIP (M1, M2, M4, M5, M7)
NS	0130F00065	MEMORY CHIP (M8, M9, M11, M12, M14)
NS	0130F00066	MEMORY CHIP (M15, M16, M18, M19, M21)
NS	0130F00252	MEMORY CHIP (M3)
NS	0130F00253	MEMORY CHIP (M6)
NS	0130F00254	MEMORY CHIP (M10)
NS	0130F00255	MEMORY CHIP (M13)
NS	0130F00256	MEMORY CHIP (M17)
NS	0130F00257	MEMORY CHIP (M20)

Expanded Model Nomenclature

M1 - ADVC80603BNAA
M2 - ADVC80603BNBA
M3 - ADVC80603BNBB
M4 - ADVC80603BXAA
M5 - ADVC80603BXBA
M6 - ADVC80603BXBB
M7 - ADVC80703BXAA
M8 - ADVC80805CNAA
M9 - ADVC80805CNBA
M10 - ADVC80805CNBB
M11 - ADVC80805CXAA
M12 - ADVC80805CXBA
M13 - ADVC80805CXBB
M14 - ADVC80905CXAA
M15 - ADVC81005CNAA
M16 - ADVC81005CNBA
M17 - ADVC81005CNBB
M18 - ADVC81005CXAA
M19 - ADVC81005CXBA
M20 - ADVC81005CXBB
M21 - ADVC81155CXAA

*If end bells are needed please order the following:
 0131M00182 - 1/2 HP
 0131M00183 - 3/4 HP
 0131M00184 - 1 HP