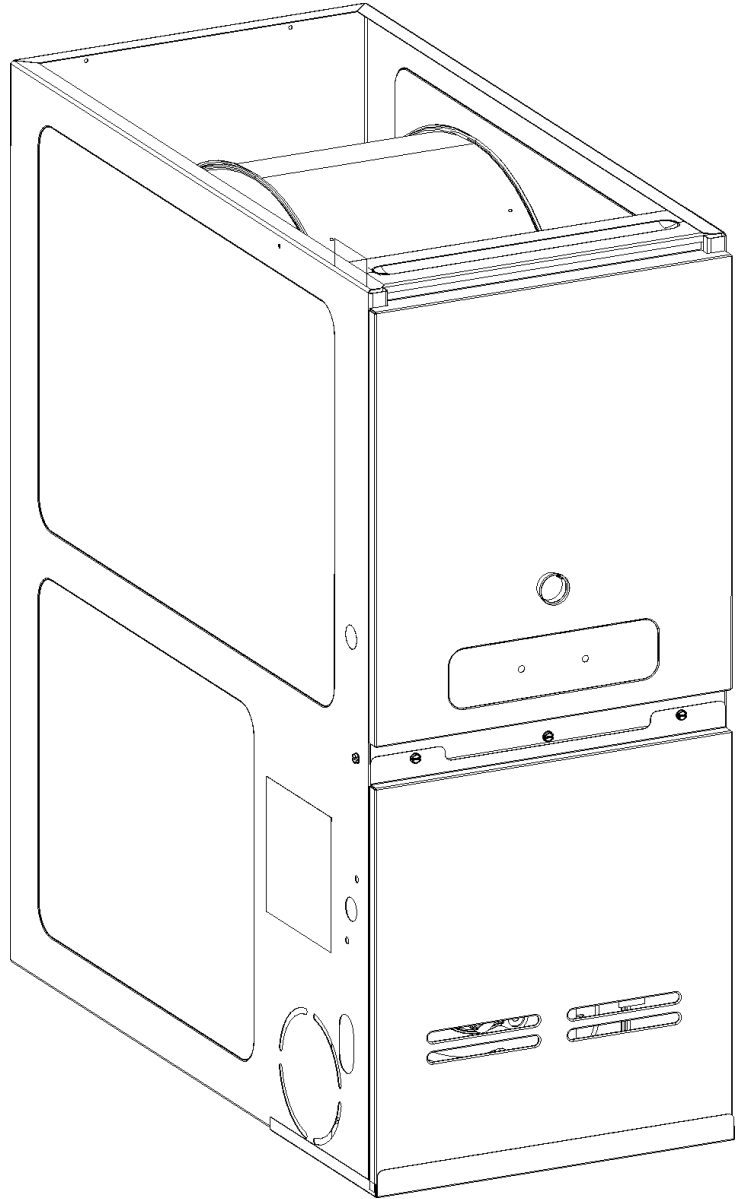


ADSS 80% Down Flow Furnace

ADSS800403AXAA
ADSS800403AXAB
ADSS800603AXAA
ADSS800603AXAB
ADSS800804BXAA
ADSS800804BXAB
ADSS801005CXAA
ADSS801005CXAB



Amana® is a registered trademark of Maytag Corporation or its related companies and is used under license to Goodman Company, L.P., Houston, TX, USA. All rights reserved.

This manual is to be used by qualified technicians only.

This manual replaces RP-842A

© 2013-2014 Goodman Manufacturing Company, L.P. ♦ 5151 San Felipe St., Suite 500 ♦ Houston, TX 77056

Important Information

Index

Functional Parts List	3
Illustration and Parts	4 - 9

Views shown are for parts illustrations only, not servicing procedures

Rev B: Updates Honeywell gas valves to White Rodgers gas valves.

Text Codes:

AR - As Required

NA - Not Available

NS - Not Shown

00000000 - See Note

QTY - Quantity Example (QTY 3) (If Quantity not shown, Quantity = 1)

M - Model Example (M1) (If M Code not shown, then part is used on all Models)

Expanded Model Nomenclature:

Example M1 - Model#1 M2 - Model#2 M3 - Model#3

Goodman Manufacturing Company, L.P. is not responsible for personal injury or property damage resulting from improper service. Review all service information before beginning repairs.

Warranty service must be performed by an authorized technician, using authorized factory parts. If service is required after the warranty expires, Goodman Manufacturing Company, L.P. also recommends contacting an authorized technician and using authorized factory parts.

Goodman Manufacturing Company, L.P. reserves the right to discontinue, or change at any time, specifications or designs without notice or without incurring obligations.

For assistance within the U.S.A. contact:
Consumer Affairs Department
Goodman Manufacturing Company, L.P.
7401 Security Way
Houston, Texas 77040
877-254-4729-Telephone
713-863-2382-Facsimile

For assistance outside the U.S.A. contact:
International Division
Goodman Manufacturing Company, L.P.
7401 Security Way
Houston, Texas 77040
713-861-2500-Telephone
713-863-2382-Facsimile

Functional Parts

Part

No: Description:

20046618	BLOWER MOTOR 3/4 HP (M7, M8)
0131F00022	BLOWER MOTOR, 1/2HP, 4SP, 6PL (M5, M6)
0131F00027	BLOWER MOTOR, 1/3HP, 4SP, 6PL (M1, M2, M3, M4)
CAP125000370RPP	CAP, 12.5 MFD/370V/ RD (M1, M2, M3, M4)
CAP200000370CP	CAP, 20 MFD/370V/ RD (M5, M6)
CAP250000370RPP	CAP, 25 MFD/370V/ RD (M7, M8)
0130F00010	FLAME SENSOR
0151M00037	GAS VALVE (M2, M4, M6, M8)
0151M00013	GAS VALVE, (HW) SINGLE STAGE (M1, M3, M5, M7)
0270F00936	HEAT EXCHANGER ASSY (M7, M8)
0270F00934	HEAT EXCHANGER ASSY (M5, M6)
0270F00932	HEAT EXCHANGER ASSY (M3, M4)
0270F00931	HEAT EXCHANGER ASSY (M1, M2)
PCBBF123	IGNITION BOARD, HSI INTEGRATED
20165703	IGNITOR
B1370818	INTERLOCK SWITCH
20162901	LIMIT (M7, M8)
10123529	MANUAL RESET LIMIT - ROS
0130F00042	PRESSURE SWITCH (M7, M8)
B1370142	PRESSURE SWITCH 0.60" WC (M1, M2, M3, M4, M5, M6)
0130F00038	PRIMARY LIMIT - LT BLUE 120° (AUX)
0130F00036	PRIMARY LIMIT - PINK (M1, M2, M3, M4, M5, M6)
0130M00139	TRANSFORMER, 40VA,120VTO24V
0131M00002	VENT MOTOR
DY6.186.070	VENT MOTOR CAPACITOR

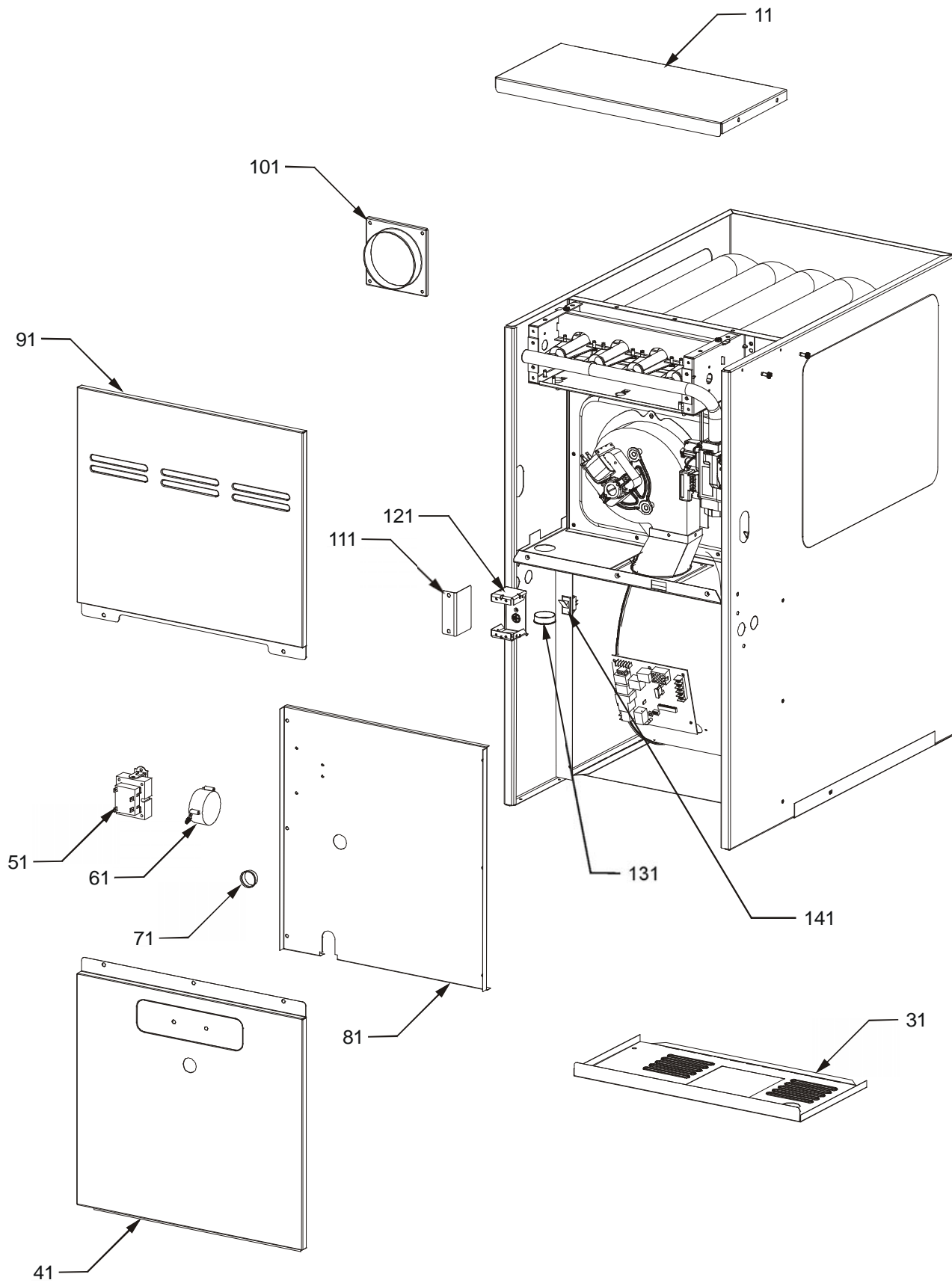
SPECIAL PARTS

B10259253 AMANA LABEL

Expanded Model Nomenclature

M1 - ADSS800403AXAA
M2 - ADSS800403AXAB
M3 - ADSS800603AXAA
M4 - ADSS800603AXAB
M5 - ADSS800804BXAA
M6 - ADSS800804BXAB
M7 - ADSS801005CXAA
M8 - ADSS801005CXAB

Cabinet Assy



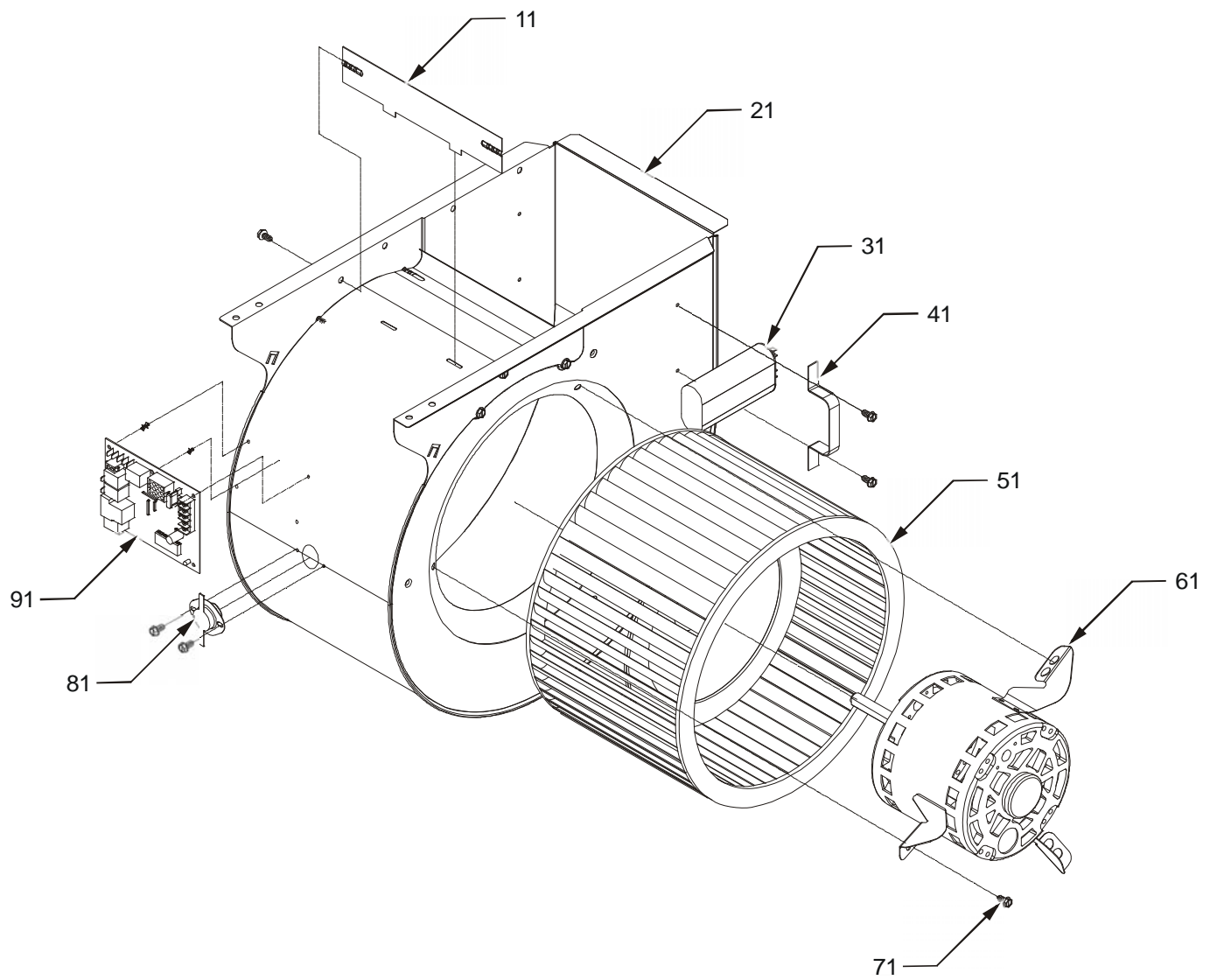
Cabinet Assy

Ref. Part No: No:	Description:	Ref. Part No: No:	Description:
Image 1:			
11	0121F00183DG		FURNACE BOTTOM 14" (M1, M2, M3, M4)
11	0121F00190DG		FURNACE BOTTOM 17.5" (M5, M6)
11	0121F00191DG		FURNACE BOTTOM 21" (M7, M8)
31	0121F00141DG		TOP 14" (M1, M2, M3, M4)
31	0121F00142DG		TOP 17.5" (M5, M6)
31	0121F00143DG		TOP 21" (M7, M8)
41	0121F00122LG		BLOWER ACCESS DOOR 14" (M1, M2, M3, M4)
41	0121F00123LG		BLOWER ACCESS DOOR 17.5" (M5, M6)
41	0121F00124LG		BLOWER ACCESS DOOR 21" (M7, M8)
51	0130M00139		TRANSFORMER, 40VA,120VTO24V
61	0130F00042		PRESSURE SWITCH (M7, M8)
61	B1370142		PRESSURE SWITCH 0.60" WC (M1, M2, M3, M4, M5, M6)
71	B1392139		VIEW PORT BUSHING-BLOWER DOOR
81	0121F00185		INNER BLOWER DOOR 14" (M1, M2, M3, M4)
81	0121F00192		INNER BLOWER DOOR 17.5" (M5, M6)
81	0121F00193		INNER BLOWER DOOR 21" (M7, M8)
91	0121F00118LG		CONTROL ACCESS DOOR 14" (M1, M2, M3, M4)
91	0121F00119LG		CONTROL ACCESS DOOR 17.5" (M5, M6)
91	0121F00120LG		CONTROL ACCESS DOOR 21" (M7, M8)
101	4053501S		CHIMNEY
111	4015502		J-BOX COVER
121	4014502		J-BOX
131	0163F00001		UNIVERSAL BUSHING WITH SLICE
141	B1370818		INTERLOCK SWITCH
NS	B10259253		AMANA LABEL
NS	0259F00057		ASSY, WIRE HARNESS, 12-PIN
NS	0159F00009		IGNITOR WIRE HARNESS ASSY
NS	0259F00059		KIT, WIRE DF

Expanded Model Nomenclature

- | |
|---------------------|
| M1 - ADSS800403AXAA |
| M2 - ADSS800403AXAB |
| M3 - ADSS800603AXAA |
| M4 - ADSS800603AXAB |
| M5 - ADSS800804BXAA |
| M6 - ADSS800804BXAB |
| M7 - ADSS801005CXAA |
| M8 - ADSS801005CXAB |

Blower Assy



Blower Assy

Ref. Part No: No:	Description:	Ref. Part No: No:	Description:
-------------------	--------------	-------------------	--------------

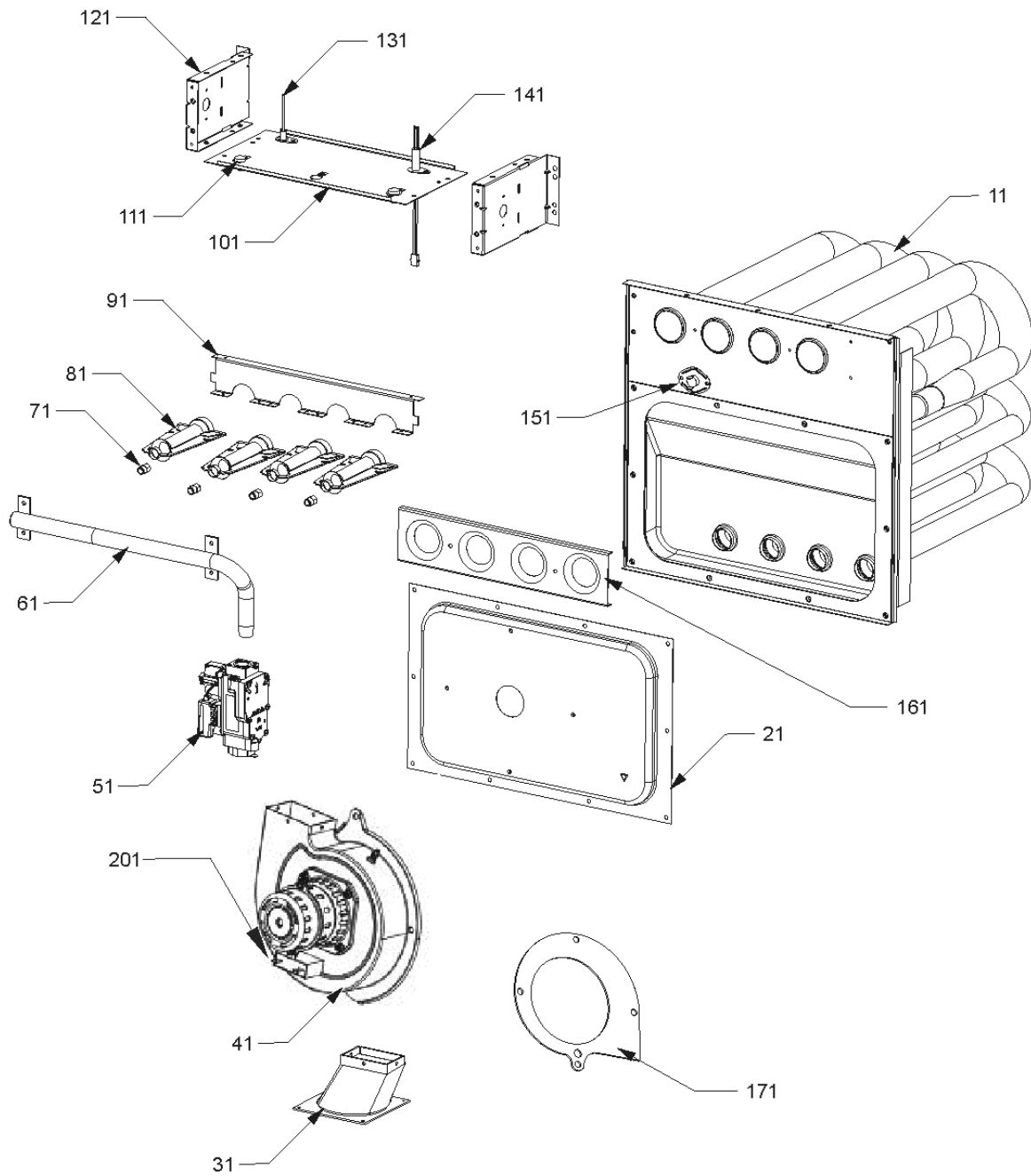
Image 1:

11	764741F	BLOWER BLOCK-OFF 10 X 10 (M7, M8)
11	764739	BLOWER CUT-OFF 10 X 6 (M1, M2, M3, M4)
11	764740	BLWR BLK-OFF,10X8 (M5, M6)
21	2539307	BLOWER HOUSING 10 X 10 (M7, M8)
21	2539305	BLOWER HOUSING 10 X 6 (M1, M2, M3, M4)
21	2539306	BLOWER HOUSING 10 X 8 (M5, M6)
31	CAP125000370RPP	CAP, 12.5 MFD/370V/ RD (M1, M2, M3, M4)
31	CAP200000370CP	CAP, 20 MFD/370V/ RD (M5, M6)
31	CAP250000370RPP	CAP, 25 MFD/370V/ RD (M7, M8)
41	1284835	CAPACITOR STRAP
51	B1368047	BLOWER WHEEL 10 X 10 (M7, M8)
51	B1368034	BLOWER WHEEL 10 X 6 (M1, M2, M3, M4)
51	B1368016	BLOWER WHEEL 10 X 8 (M5, M6)
61	20046618	BLOWER MOTOR 3/4 HP (M7, M8)
61	0131F00022	BLOWER MOTOR, 1/2HP, 4SP, 6PL (M5, M6)
61	0131F00027	BLOWER MOTOR, 1/3HP, 4SP, 6PL (M1, M2, M3, M4)
71	M0250558	TC SCREW (QTY 3)
81	20162901	LIMIT (M7, M8)
81	0130F00036	PRIMARY LIMIT - PINK (M1, M2, M3, M4, M5, M6)
91	PCBBF123	IGNITION BOARD, HSI INTEGRATED
NS	B1393802	SUPPORT, 2-WING BOARD, .187 MT (QTY 4)
NS	B1393803	SUPPORT, SINGLE-WING BOARD (.1

Expanded Model Nomenclature

- | |
|---------------------|
| M1 - ADSS800403AXAA |
| M2 - ADSS800403AXAB |
| M3 - ADSS800603AXAA |
| M4 - ADSS800603AXAB |
| M5 - ADSS800804BXAA |
| M6 - ADSS800804BXAB |
| M7 - ADSS801005CXAA |
| M8 - ADSS801005CXAB |

Heat Exchanger Assy



Heat Exchanger Assy

Ref. Part No: No:	Description:	Ref. Part No: No:	Description:
<i>Image 1:</i>			
11	0270F00931		HEAT EXCHANGER ASSY (M1, M2)
11	0270F00932		HEAT EXCHANGER ASSY (M3, M4)
11	0270F00934		HEAT EXCHANGER ASSY (M5, M6)
11	0270F00936		HEAT EXCHANGER ASSY (M7, M8)
21	0121F00327		14" COLLECTOR BOX 1.125" DIA (M1, M2)
21	0121F00364		14" FLUE COLLECTOR BOX 1.5"DIA (M3, M4)
21	0121F00334		21" COLLECTOR BOX 1.625" DIA (M7, M8)
21	0121F00128		FLUE COLLECTOR BOX KIT 17.5" 1.75 DIA (M5, M6)
31	0128F00006		CHIMNEY TRANSITION BOTTOM
41	0131M00002		VENT MOTOR
51	0151M00037		GAS VALVE (M2, M4, M6, M8)
51	0151M00013		GAS VALVE, (HW) SINGLE STAGE (M1, M3, M5, M7)
61	0120F00006		MANIFOLD (M1, M2)
61	0120F00007		MANIFOLD (M3, M4)
61	0120F00008		MANIFOLD (M5, M6)
61	0120F00009		MANIFOLD (M7, M8)
71	B4089345		ORIFICE (QTY A/R)
81	B4022700		INSHOT BURNER ASSY 3" (QTY A/R)
91	0121F00167		BURNER BRACKET 2B (M1, M2)
91	0121F00168		BURNER BRACKET 3B (M3, M4)
91	0121F00169		BURNER BRACKET 4B (M5, M6)
91	0121F00170		BURNER BRACKET 5B (M7, M8)
101	0121F00162		BURNER BOX TOP 2 CELL (M1, M2)
101	0121F00163		BURNER BOX TOP 3 CELL (M3, M4)
101	0121F00164		BURNER BOX TOP 4 CELL (M5, M6)
101	0121F00165		BURNER BOX TOP 5 CELL (M7, M8)
111	10123529		MANUAL RESET LIMIT - ROS
121	0121F00146		BURNER BOX SIDE (QTY 2)
131	0130F00010		FLAME SENSOR
141	20165703		IGNITOR
151	0130F00038		PRIMARY LIMIT - LT BLUE 120° (AUX)
161	4028000		ORIFICE SHIELD 2 CELL (M1, M2)
161	4028001		ORIFICE SHIELD 3 CELL (M3, M4)
161	4028002		ORIFICE SHIELD 4 CELL (M5, M6)
161	4028003		ORIFICE SHIELD 5 CELL (M7, M8)
171	0154F00003		VENT MOTOR GASKET 14" (M1, M2, M3, M4)
171	0154F00004		VENT MOTOR GASKET 17.5" (M5, M6)
171	0154F00005		VENT MOTOR GASKET 21" (M7, M8)
201	DY6.186.070		VENT MOTOR CAPACITOR

Expanded Model Nomenclature

M1 - ADSS800403AXAA
M2 - ADSS800403AXAB
M3 - ADSS800603AXAA
M4 - ADSS800603AXAB
M5 - ADSS800804BXAA
M6 - ADSS800804BXAB
M7 - ADSS801005CXAA
M8 - ADSS801005CXAB