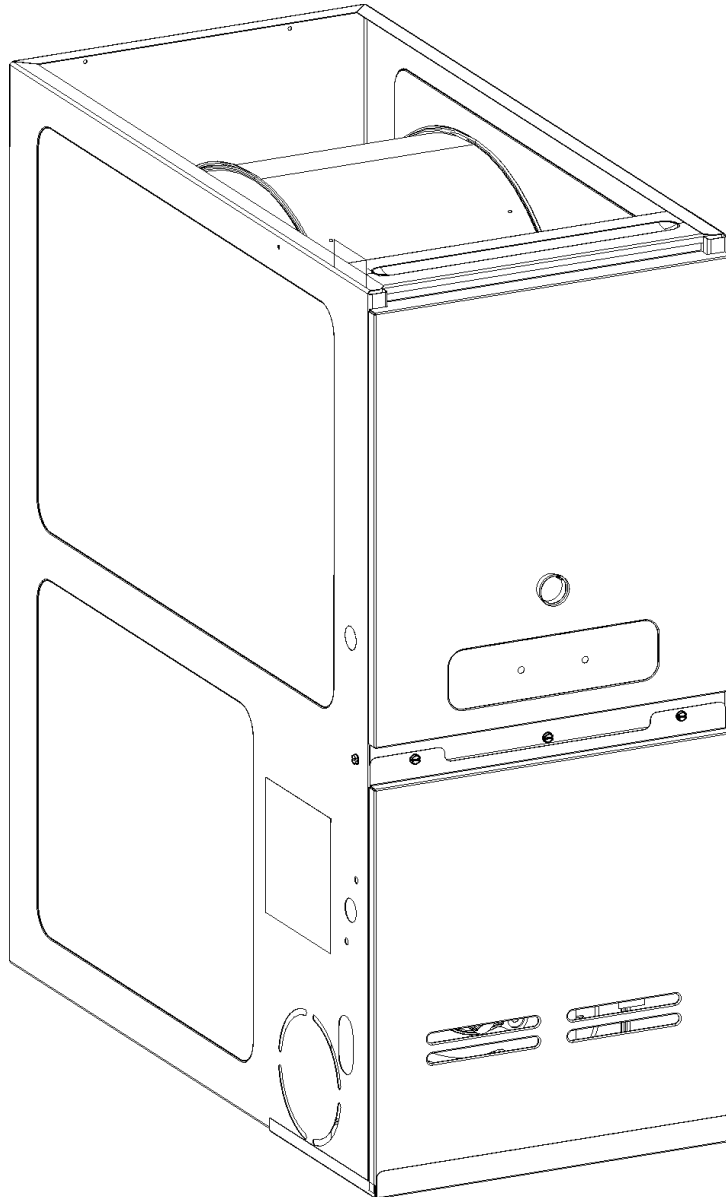


ADSH 80% Dedicated Downflow Furnace

ADSH800403AXAA
ADSH800603AXAA
ADSH800804BXAA
ADSH801005CXAA



Amana is a registered trademark of Maytag Corporation or its related companies and is used under license to Goodman Company, L.P., Houston, TX. All rights reserved.

This manual is to be used by qualified technicians only.

This manual replaces RP-840.

© 2013 Goodman Company, L.P. ♦ 5151 San Felipe St., Suite 500 ♦ Houston, TX 77056

Important Information

Index

Functional Parts List	3
Illustration and Parts	4 - 9

Views shown are for parts illustrations only, not servicing procedures

Rev A: Added venot motor capacitor service part.

Text Codes:

AR - As Required

NA - Not Available

NS - Not Shown

00000000 - See Note

QTY - Quantity Example (QTY 3) (If Quantity not shown, Quantity = 1)

M - Model Example (M1) (If M Code not shown, then part is used on all Models)

Expanded Model Nomenclature:

Example M1 - Model#1 M2 - Model#2 M3 - Model#3

Goodman Company, L.P. is not responsible for personal injury or property damage resulting from improper service. Review all service information before beginning repairs.

Warranty service must be performed by an authorized technician, using authorized factory parts. If service is required after the warranty expires, Goodman Company, L.P. also recommends contacting an authorized technician and using authorized factory parts.

Goodman Company, L.P. reserves the right to discontinue, or change at any time, specifications or designs without notice or without incurring obligations.

For assistance within the U.S.A. contact:

Consumer Affairs Department
Goodman Company, L.P.
7401 Security Way
Houston, Texas 77040
877-254-4729-Telephone
713-863-2382-Facsimile

For assistance outside the U.S.A. contact:

International Division
Goodman Company, L.P.
7401 Security Way
Houston, Texas 77040
713-861-2500-Telephone
713-863-2382-Facsimile

Functional Parts

Part

No: **Description:**

0131F00022	BLOWER MOTOR 1/2 HP, 4 SP, 6 PL (M3)
0131F00021	BLOWER MOTOR 1/3 HP, 4 SP, 6 PL (M1, M2)
20046618	BLOWER MOTOR 3/4 HP (M4)
0150M00035	BLOWER WHEEL (10 X 10) (M4)
B1368034	BLOWER WHEEL 10 X 6 (M1, M2)
B1368016	BLOWER WHEEL 10 X 8 (M3)
CAP125000370RP	CAPACITOR 12.5/370V (M1, M2)
CAP200000440RP	CAPACITOR 20/370V (M3)
CAP250000370RP	CAPACITOR 25/370V (M4)
0130F00010	FLAME SENSOR
0130F00008	IGNITOR-SINI 17 SEC
B1370818	INTERLOCK SWITCH
20162901	LIMIT (M4)
10123529	MANUAL RESET LIMIT
PCBBF132	PCB 2STAGE HYBRID FURNACE CNTL
0130F00042	PRESSURE SWITCH (M4)
B1370142	PRESSURE SWITCH 0.60" WC (M1, M2, M3)
0130F00038	PRIMARY LIMIT - LT BLUE 120°
0130F00036	PRIMARY LIMIT - PINK (M1, M2, M3)
0130M00139	TRANSFORMER 120V TO 24V, 40 VA
0151M00028	VALVE,GAS(HW)VR92
0131M00002	VENT MOTOR
DY6.186.070	VENT MOTOR CAPACITOR

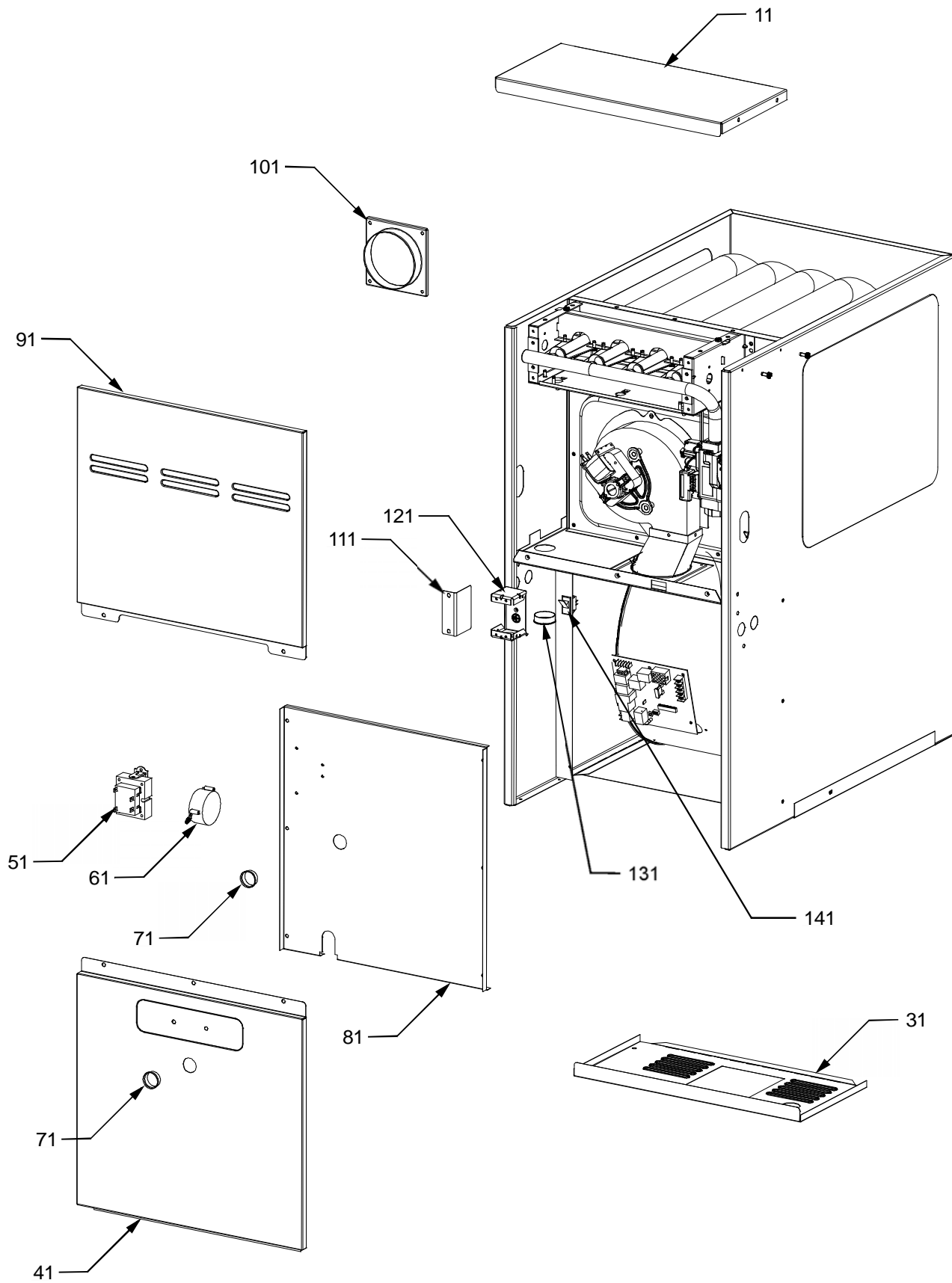
SPECIAL PARTS

0161F00006 AMANA NAMEPLATE

Expanded Model Nomenclature

M1 - AD SH800403AXAA
M2 - AD SH800603AXAA
M3 - AD SH800804BXAA
M4 - AD SH801005CXAA

Cabinet Assy



Cabinet Assy

Ref. Part No: No:	Description:	Ref. Part No: No:	Description:
-------------------	--------------	-------------------	--------------

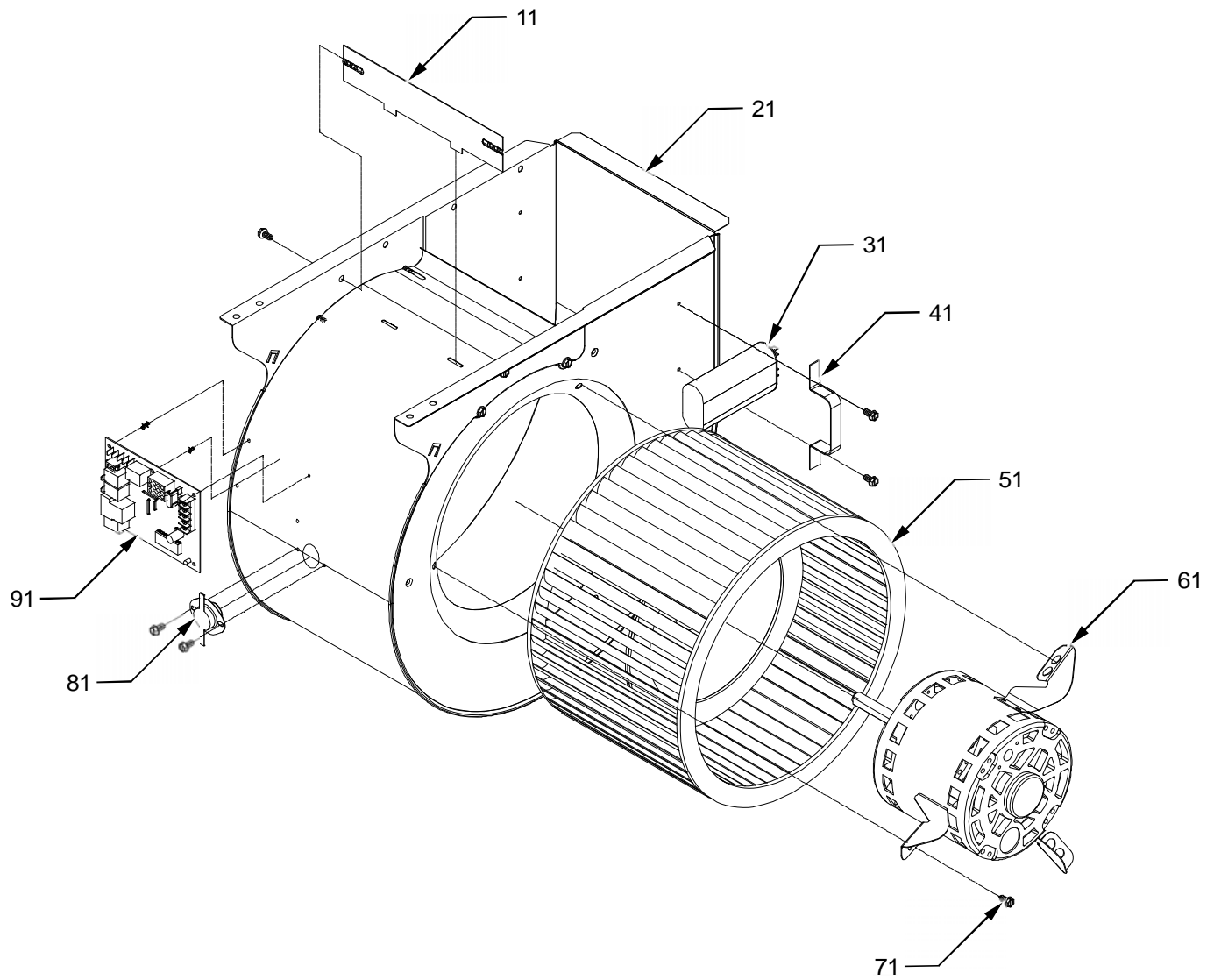
Image 1:

11	0121F00183DG	FURNACE BOTTOM 14" (M1, M2)
11	0121F00190DG	FURNACE BOTTOM 17.5" (M3)
11	0121F00191DG	FURNACE BOTTOM 21" (M4)
31	0121F00141DG	TOP 14" (M1, M2)
31	0121F00142DG	TOP 17.5" (M3)
31	0121F00143DG	TOP 21" (M4)
41	0121F00122LG	BLOWER ACCESS DOOR 14" (M1, M2)
41	0121F00123LG	BLOWER ACCESS DOOR 17.5" (M3)
41	0121F00124LG	BLOWER ACCESS DOOR 21" (M4)
51	0130M00139	TRANSFORMER 120V TO 24V, 40 VA
61	0130F00042	PRESSURE SWITCH (M4)
61	B1370142	PRESSURE SWITCH 0.60" WC (M1, M2, M3)
71	B1392139	VIEW PORT BUSHING-BLOWER DOOR
81	0121F00185	INNER BLOWER DOOR 14" (M1, M2)
81	0121F00192	INNER BLOWER DOOR 17.5" (M3)
81	0121F00193	INNER BLOWER DOOR 21" (M4)
91	0121F00118LG	CONTROL ACCESS DOOR 14" (M1, M2)
91	0121F00119LG	CONTROL ACCESS DOOR 17.5" (M3)
91	0121F00120LG	CONTROL ACCESS DOOR 21" (M4)
101	4023500	CHIMNEY TRANSITION TOP
111	4015502	J-BOX COVER
121	4014502	J-BOX
131	0163F00001	UNIVERSAL BUSHING WITH SLICE
141	B1370818	INTERLOCK SWITCH
NS	0161F00006	AMANA NAMEPLATE
NS	B13926111	SEAL STRIP, 1/8 X 1/2 X 14 (M1, M2)
NS	B13926112	SEAL STRIP, 1/8 X 1/2 X 17.5 (M3)
NS	B13926113	SEAL STRIP, 1/8 X 1/2 X 21 (M4)

Expanded Model Nomenclature

M1 - AD SH800403AXAA
M2 - AD SH800603AXAA
M3 - AD SH800804BXAA
M4 - AD SH801005CXAA

Blower Assembly



Blower Assembly

Ref. Part No:	No:	Description:	Ref. Part No:	No:	Description:
<i>Image 1:</i>					
11	764741F	BLOWER BLOCK-OFF 10 X 10 (M4)			
11	764740	BLOWER BLOCK-OFF 10 X 8 (M3)			
11	764739	BLOWER CUT-OFF 10 X 6 (M1, M2)			
21	2539307	BLOWER HOUSING 10 X 10 (M4)			
21	2539305	BLOWER HOUSING 10 X 6 (M1, M2)			
21	2539306	BLOWER HOUSING 10 X 8 (M3)			
31	CAP125000370RP	CAPACITOR 12.5/370V (M1, M2)			
31	CAP200000440RP	CAPACITOR 20/370V (M3)			
31	CAP250000370RP	CAPACITOR 25/370V (M4)			
41	1284835	CAPACITOR STRAP			
51	0150M00035	BLOWER WHEEL (10 X 10) (M4)			
51	B1368034	BLOWER WHEEL 10 X 6 (M1, M2)			
51	B1368016	BLOWER WHEEL 10 X 8 (M3)			
61	0131F00022	BLOWER MOTOR 1/2 HP, 4 SP, 6 PL (M3)			
61	0131F00021	BLOWER MOTOR 1/3 HP, 4 SP, 6 PL (M1, M2)			
61	20046618	BLOWER MOTOR 3/4 HP (M4)			
71	M0250558	TC SCREW (QTY 3)			
81	0130F00038	PRIMARY LIMIT - LT BLUE 120°			
91	PCBBF132	PCB 2STAGE HYBRID FURNACE CNTL			
NS	B1393802	SUPPORT, 2-WING BOARD, .187 MT (QTY 4)			
NS	B1393803	SUPPORT, SINGLE-WING BOARD (.1			

Expanded Model Nomenclature

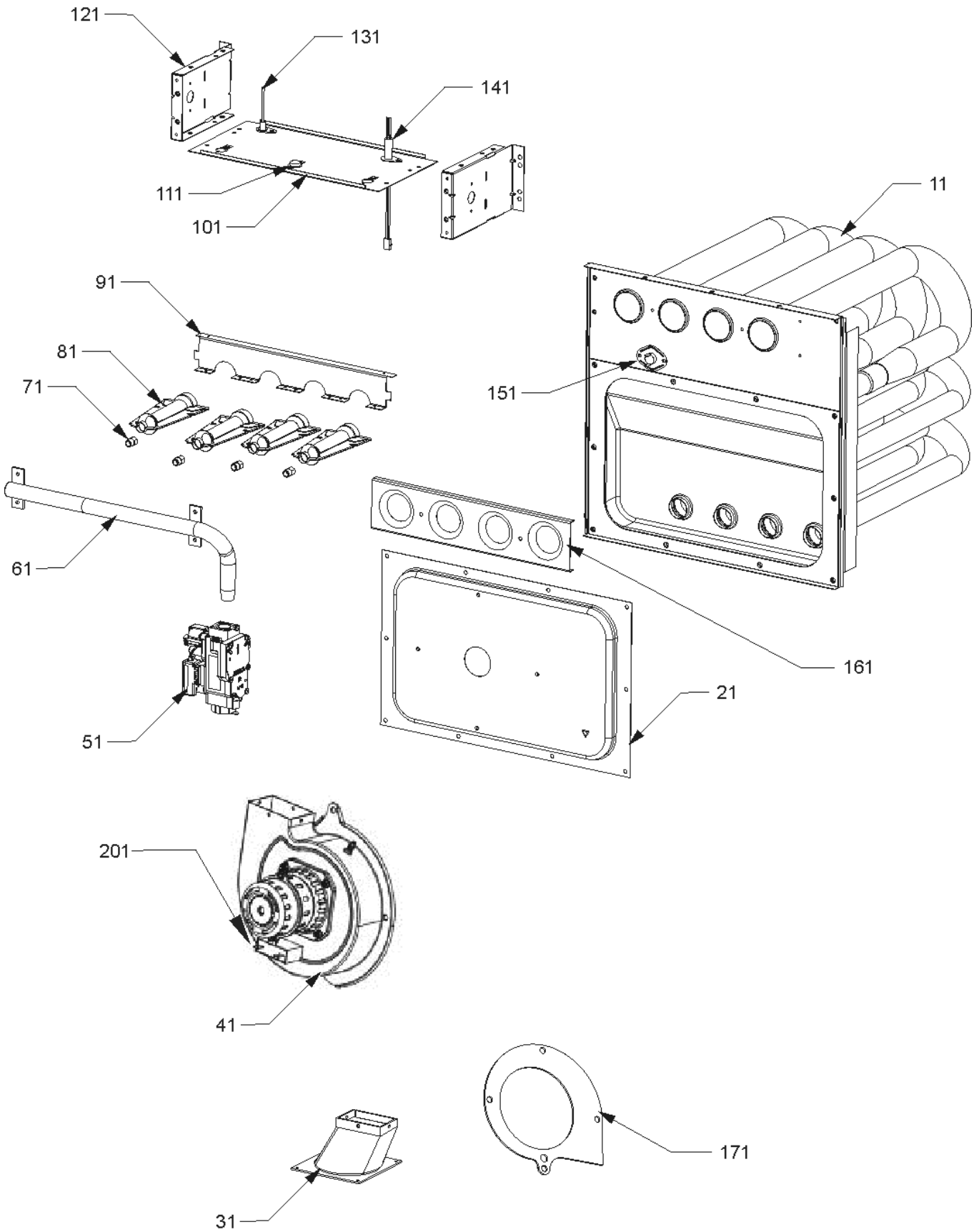
M1 - AD SH800403AXAA

M2 - AD SH800603AXAA

M3 - AD SH800804BXAA

M4 - AD SH801005CXAA

Partition Assy



Partition Assy

Ref. Part No: No:	Description:	Ref. Part No: No:	Description:
-------------------	--------------	-------------------	--------------

Image 1:

11	0270F00931	HEAT EXCHANGER ASSY (M1)
11	0270F00932	HEAT EXCHANGER ASSY (M2)
11	0270F00934	HEAT EXCHANGER ASSY (M3)
11	0270F00936	HEAT EXCHANGER ASSY (M4)
21	0121F00327	14" COLLECTOR BOX 1.125" DIA (M1)
21	0121F00364	14" FLUE COLLECTOR BOX 1.5"DIA (M2)
21	0121F00334	21" COLLECTOR BOX 1.625" DIA (M4)
21	0121F00128	FLUE COLLECTOR BOX KIT 17.5" 1.75 DIA (M3)
31	0128F00006	CHIMNEY TRANSITION BOTTOM
41	0131M00002	VENT MOTOR
51	0151M00028	VALVE,GAS(HW)VR92
61	0120F00006	MANIFOLD (M1)
61	0120F00007	MANIFOLD (M2)
61	0120F00008	MANIFOLD (M3)
61	0120F00009	MANIFOLD (M4)
71	B4089345	ORIFICE (QTY A/R)
81	B4022700	INSHOT BURNER ASSY 3" (QTY A/R)
91	0121F00167	BURNER BRACKET 2B (M1)
91	0121F00168	BURNER BRACKET 3B (M2)
91	0121F00169	BURNER BRACKET 4B (M3)
91	0121F00170	BURNER BRACKET 5B (M4)
101	0121F00162	BURNER BOX TOP 2 CELL (M1)
101	0121F00163	BURNER BOX TOP 3 CELL (M2)
101	0121F00164	BURNER BOX TOP 4 CELL (M3)
101	0121F00165	BURNER BOX TOP 5 CELL (M4)
111	10123529	MANUAL RESET LIMIT
121	0121F00146	BURNER BOX SIDE (QTY 2)
131	0130F00010	FLAME SENSOR
141	0130F00008	IGNITOR-SINI 17 SEC
151	20162901	LIMIT (M4)
151	0130F00036	PRIMARY LIMIT - PINK (M1, M2, M3)
161	4028000	ORIFICE SHIELD 2 CELL (M1)
161	4028001	ORIFICE SHIELD 3 CELL (M2)
161	4028002	ORIFICE SHIELD 4 CELL (M3)
161	4028003	ORIFICE SHIELD 5 CELL (M4)
171	0154F00003	VENT MOTOR GASKET 14" (M1, M2)
171	0154F00004	VENT MOTOR GASKET 17.5" (M3)
171	0154F00005	VENT MOTOR GASKET 21" (M4)
201	DY6.186.070	VENT MOTOR CAPACITOR
NS	0259F00060	HYBRID WIRE KIT
NS	0259F00058	IGNITOR WIRE HARNESS ASSY
NS	0259F00074	WIRE HARNESS ASSY

Expanded Model Nomenclature

M1 - AD SH800403AXAA
M2 - AD SH800603AXAA
M3 - AD SH800804BXAA
M4 - AD SH801005CXAA