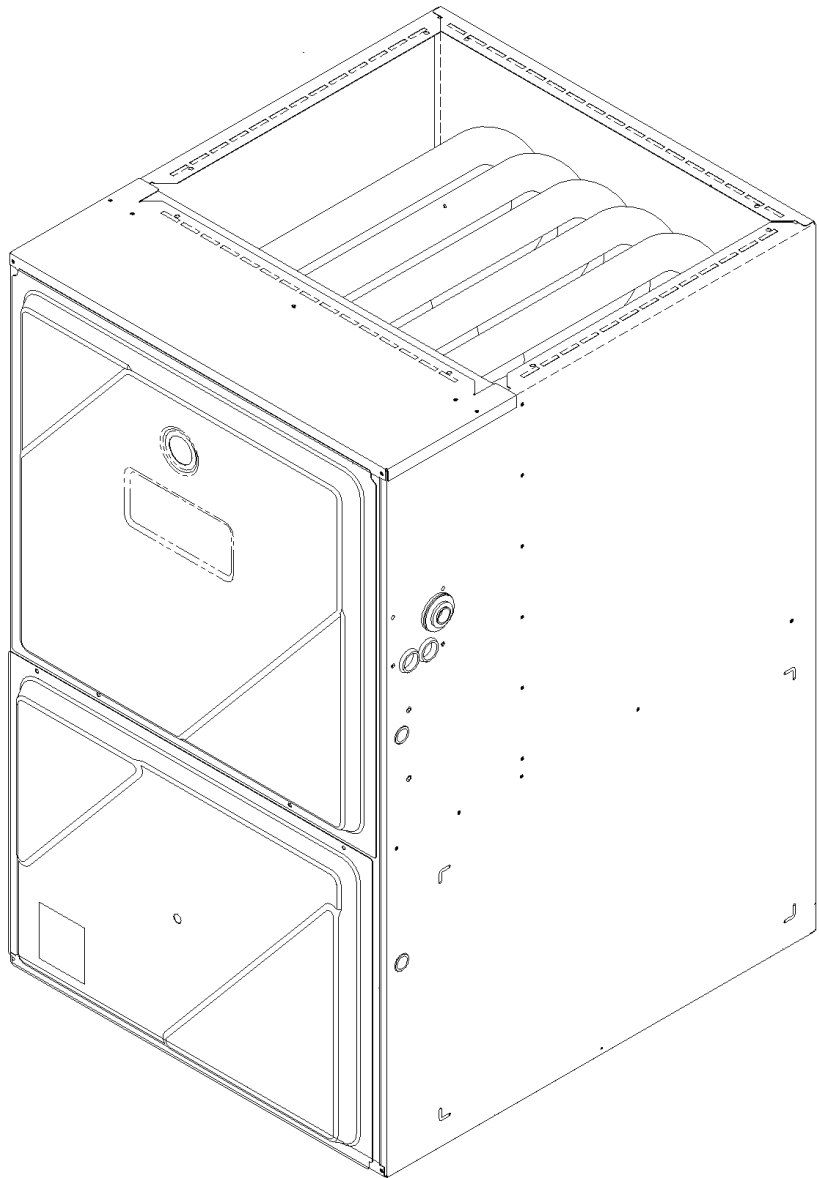


REPAIR PARTS

*CVM 96% Modulating Furnace

ACVM960604CXAA
ACVM960604CXBA
ACVM960805DXAA
ACVM960805DXBA
ACVM961005DXAA
GCVM960604CXAA
GCVM960604CXBA
GCVM960805DXAA
GCVM960805DXBA
GCVM961005DXAA
GCVM961005DXBA



This manual is to be used by qualified technicians only.

© 2011-2013 Goodman Manufacturing Company, L.P. ♦ 5151 San Felipe St., Suite 500 ♦ Houston, TX 77056

Important Information

Index

Functional Parts List	3
Illustration and Parts	4 - 11

Views shown are for parts illustrations only, not servicing procedures

11/18/13: Updated blower wheel B1368047A to B1368047

Text Codes:

AR - As Required

NA - Not Available

NS - Not Shown

00000000 - See Note

QTY - Quantity Example (QTY 3) (If Quantity not shown, Quantity = 1)

M - Model Example (M1) (If M Code not shown, then part is used on all Models)

Expanded Model Nomenclature:

Example M1 - Model#1 M2 - Model#2 M3 - Model#3

Goodman Manufacturing Company, L.P. is not responsible for personal injury or property damage resulting from improper service. Review all service information before beginning repairs.

Warranty service must be performed by an authorized technician, using authorized factory parts. If service is required after the warranty expires, Goodman Manufacturing Company, L.P. also recommends contacting an authorized technician and using authorized factory parts.

Goodman Manufacturing Company, L.P. reserves the right to discontinue, or change at any time, specifications or designs without notice or without incurring obligations.

For assistance within the U.S.A. contact:
Consumer Affairs Department
Goodman Manufacturing Company, L.P.
7401 Security Way
Houston, Texas 77040
877-254-4729-Telephone
713-863-2382-Facsimile

For assistance outside the U.S.A. contact:
International Division
Goodman Manufacturing Company, L.P.
7401 Security Way
Houston, Texas 77040
713-861-2500-Telephone
713-863-2382-Facsimile

Functional Parts

Part No: **Description:**

Expanded Model Nomenclature

10735102 BECKETT BURNER (QTY A/R)
D6723311 BLOWER WHEEL (M3, M4, M5, M8, M9, M10, M11)
B1368047 BLOWER WHEEL 10 X 10 (M1, M2, M6, M7)
0130F00337 DATA, FURNACE PCB MEMORY CHIP (M2)
0130F00158 DATA, FURNACE PCB MEMORY CHIP (M3)
0130F00164 DATA, FURNACE PCB MEMORY CHIP (M8)
0130F00165 DATA, FURNACE PCB MEMORY CHIP (M10)
0130F00324 DATA, FURNACE PCB MEMORY CHIP (M9)
0130F00325 DATA, FURNACE PCB MEMORY CHIP (M11)
0130F00338 DATA, FURNACE PCB MEMORY CHIP (M4)
0130F00373 DATA, FURNACE PCB MEMORY CHIP (M5)
0130F00157 DATA, FURNACE PCB MEMORY CHIP (M1)
0130F00163 DATA, FURNACE PCB MEMORY CHIP (M6)
0130F00323 DATA, FURNACE PCB MEMORY CHIP (M7)
0130F00010 FLAME SENSOR
0151M00024 GAS VALVE
0130F00008 IGNITOR-SINI 17 SEC
0130M00141 INDUCTOR, 5.9 AMPS (GMPE100-4)
0130F00123 LIMIT, RESET MAN (QTY 2)
0131M00272 MOTOR, 1 HP, SERIAL ECM (M3, M4, M5, M8, M9, M10, M11)
0131M00271 MOTOR, 3/4 HP, SERIAL ECM (M1, M2, M6, M7)
0131F00024 MOTOR, ID BLOWER
PCBKF200 PCB, CONTROL, FURNACE
0130F00156 PRESSURE SWITCH (M1, M2, M6, M7)
0130F00155 PRESSURE SWITCH (M3, M4, M8, M9)
0130F00154 PRESSURE SWITCH (M5, M10, M11)
0130F00070 PRESSURE SWITCH
20162907 PRIMARY LIMIT (M1, M2, M6, M7)
20162903 PRIMARY LIMIT - BLUE (M5, M10, M11)
0130F00038 PRIMARY LIMIT - LT BLUE 120° (QTY 2)
20162905 PRIMARY LIMIT-YELLOW (M3, M4, M8, M9)
0130M00140 TRANSFORMER 120V TO 24V, 40 VA

M1 - ACVM960604CXAA
M2 - ACVM960604CXBA
M3 - ACVM960805DXAA
M4 - ACVM960805DXBA
M5 - ACVM961005DXAA
M6 - GCVM960604CXAA
M7 - GCVM960604CXBA
M8 - GCVM960805DXAA
M9 - GCVM960805DXBA
M10 - GCVM961005DXAA
M11 - GCVM961005DXBA

SPECIAL PARTS

0161M00003P AMANA NAMEPLATE (M1, M2, M3, M4, M5)
0161F00000P GOODMAN NAMEPLATE (M6, M7, M8, M9, M10, M11)

Cabinet

Image 1

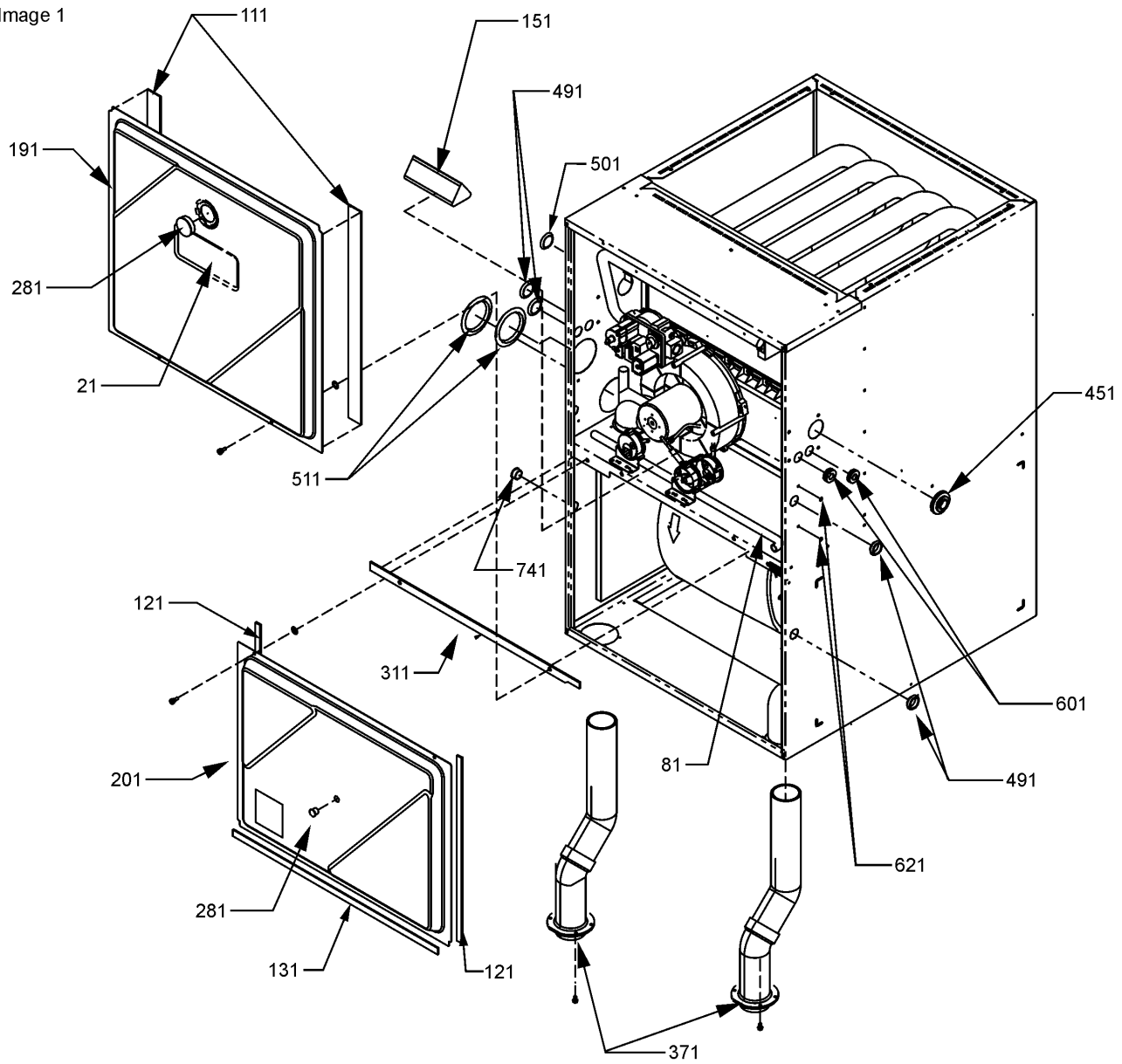
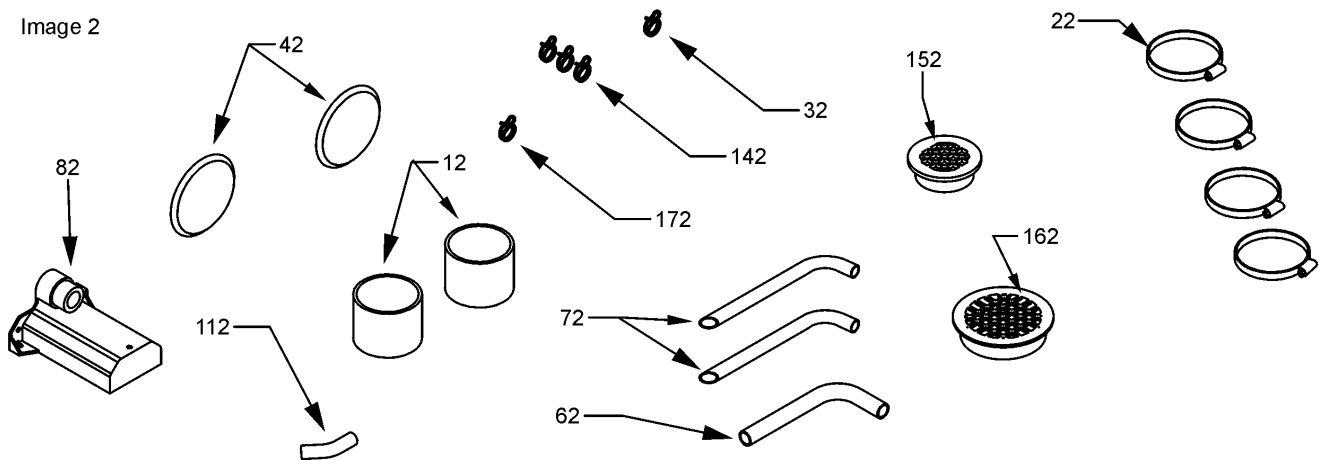


Image 2



Cabinet

Ref. Part No:	No:	Description:	Ref. Part No:	No:	Description:
---------------	-----	--------------	---------------	-----	--------------

Image 1:

21	0161M00003P	AMANA NAMEPLATE (M1, M2, M3, M4, M5)
21	0161F00000P	GOODMAN NAMEPLATE (M6, M7, M8, M9, M10, M11)
81	20201902	DRAIN HOSE
111	20179308	GASKET (QTY 2)
121	20179311	GASKET (QTY 2)
131	20179312	GASKET (M1, M2, M6, M7)
131	20179313	GASKET (M3, M4, M5, M8, M9, M10, M11)
151	10195518	STANDPIPE BAG ASSY
191	0121F00067LG	ACCESS DOOR (M1, M2)
191	0121F00068LG	ACCESS DOOR (M3, M4, M5)
191	0121F00073DG	ACCESS DOOR (M6, M7)
191	0121F00074DG	ACCESS DOOR (M8, M9, M10, M11)
201	0121F00064LG	BLOWER DOOR (M1, M2)
201	0121F00065LG	BLOWER DOOR (M3, M4, M5)
201	0121F00070DG	BLOWER DOOR (M6, M7)
201	0121F00071DG	BLOWER DOOR (M8, M9, M10, M11)
281	B1392139	VIEW PORT BUSHING-BLOWER DOOR (QTY 2)
311	22320002	DECK GASKET (M1, M2, M6, M7)
311	22320003	DECK GASKET (M3, M4, M5, M8, M9, M10, M11)
371	22309502	FLUE PIPE (QTY 2)
451	M0501301	PIPE GROMMET
491	M0570808	BUTTON PLUG (QTY 4)
501	M0570806	BUTTON PLUG
511	M0570807	BUTTON PLUG (QTY 2)
601	A4691701	GROMMET (QTY 2)
621	M0310345	BUTTON PLUG (QTY 2)
741	B1392104	UNIVERSAL BUSHING UB 875

Image 2:

22	0163M00049	HOSE CLAMP (QTY 2)
32	M0119207	HOSE CLAMP
42	M0570807	BUTTON PLUG (QTY 2)
62	20201901	DRAIN HOSE
72	20201802	DRAIN TUBE (QTY 2)
82	20171701	DRAIN TRAP
112	20214202	DRAIN ANGLE
142	M0119205	HOSE CLAMP (QTY 3)
152	B2810816	2" MESH INSERT
162	B2810814	3" MESH INSERT
172	M0119206	HOSE CLAMP

Expanded Model Nomenclature

M1 - ACVM960604CXAA
M2 - ACVM960604CXBA
M3 - ACVM960805DXAA
M4 - ACVM960805DXBA
M5 - ACVM961005DXAA
M6 - GCVM960604CXAA
M7 - GCVM960604CXBA
M8 - GCVM960805DXAA
M9 - GCVM960805DXBA
M10 - GCVM961005DXAA
M11 - GCVM961005DXBA

Blower Assembly

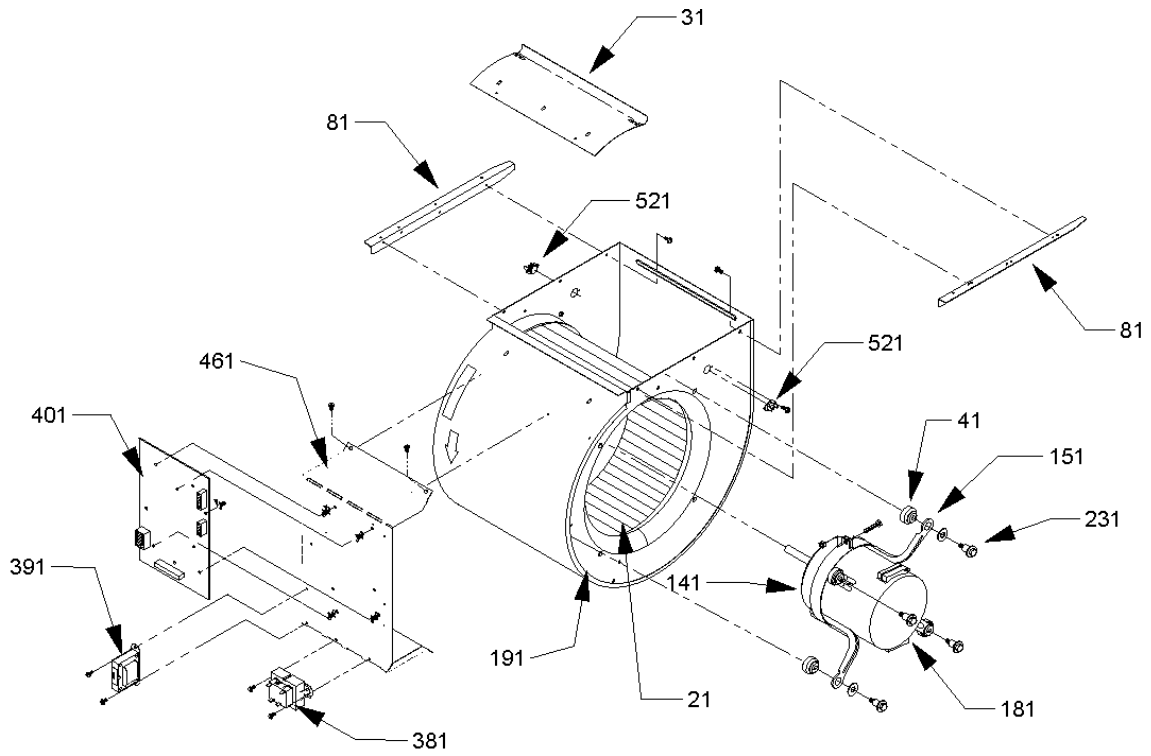
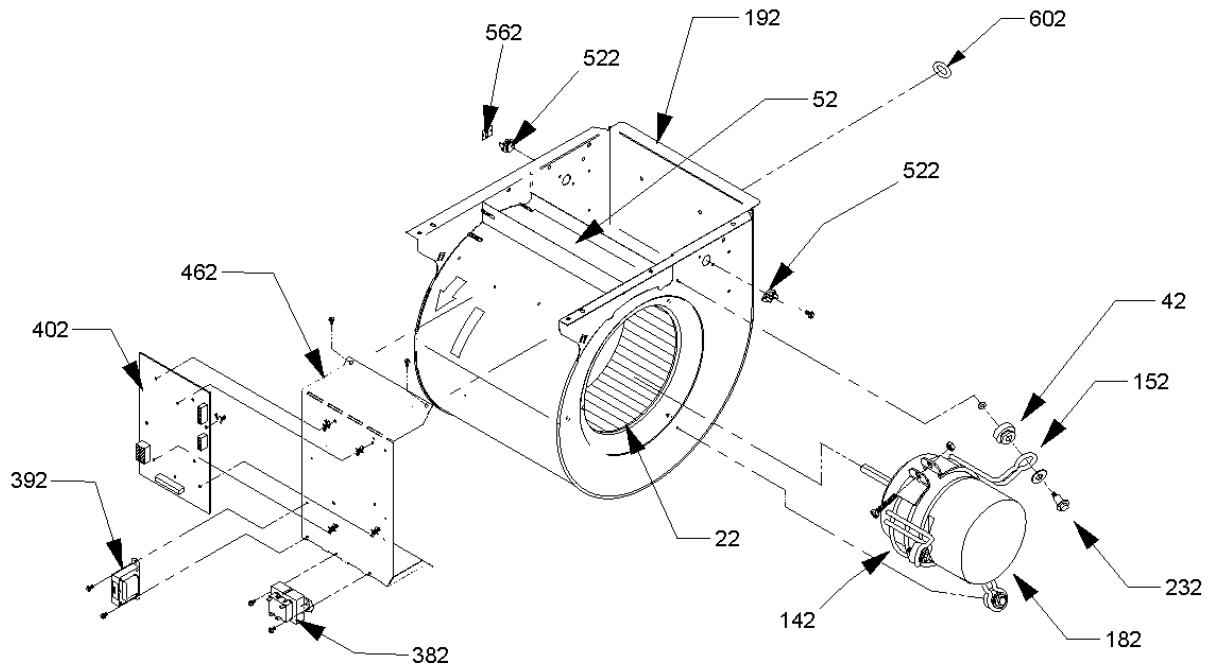


Image 1

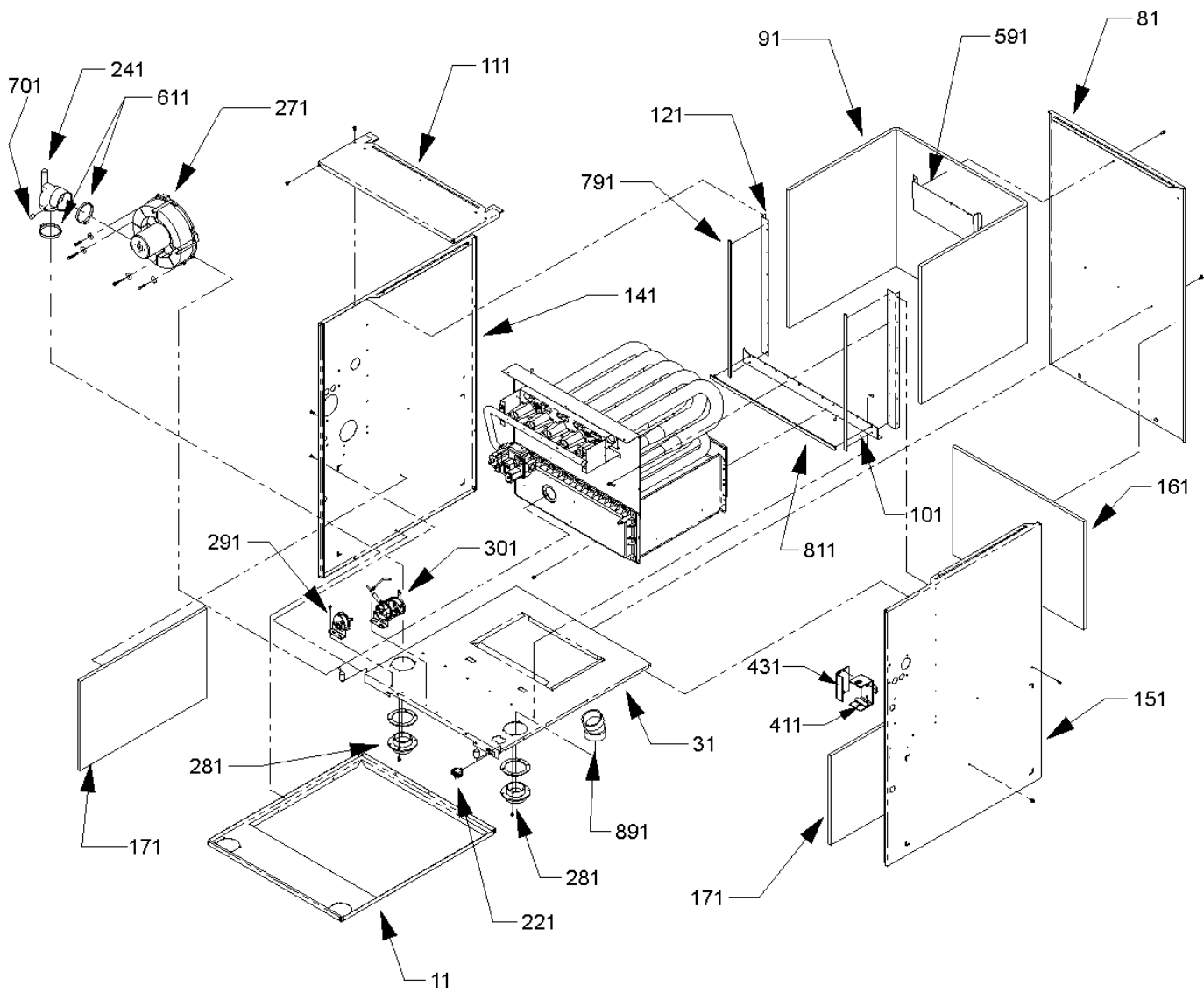
Image 2



Blower Assembly

Ref. Part No:	No:	Description:	Ref. Part No:	No:	Description:
<i>Image 1:</i>			<i>Image 2:</i>		
21	D6723311	BLOWER WHEEL (M3, M4, M5, M8, M9, M10, M11)	462	0121F00094	CONTROL MOUNT PANEL (M1, M2, M6, M7)
31	C6121807	BLOWER CUT-OFF (M3, M4, M5, M8, M9, M10, M11)	522	0130F00038	PRIMARY LIMIT - LT BLUE 120° (M1, M2, M6, M7)
41	A4002702	BLOWER MOTOR GROMMET (M3, M4, M5, M8, M9, M10, M11)	602	B1392021	PLASTIC PLUG, 1" (2713-BLK) (M1, M2, M6, M7)
81	20175101	BLOWER SIDE RAIL (M3, M4, M5, M8, M9, M10, M11)	NS	0259F00040	CONTROL HARNESS (M1, M2, M6, M7)
141	10441601	MOTOR MOUNT BAND (M3, M4, M5, M8, M9, M10, M11)	NS	0130F00157	DATA, FURNACE PCB MEMORY CHIP (M1)
151	10441501	MOTOR MOUNT ARM (M3, M4, M5, M8, M9, M10, M11)	NS	0130F00163	DATA, FURNACE PCB MEMORY CHIP (M6)
181	0131M00272	MOTOR, 1 HP, SERIAL ECM (M3, M4, M5, M8, M9, M10, M11)	NS	0130F00323	DATA, FURNACE PCB MEMORY CHIP (M7)
191	0271F00047	BLOWER HOUSING ASSY 11 X 10 (M3, M4, M5, M8, M9, M10, M11)	NS	0130F00337	DATA, FURNACE PCB MEMORY CHIP (M2)
231	M0221461	TC SCREW (M3, M4, M5, M8, M9, M10, M11)	NS	0259F00041	POWER HARNESS HIGH VOLTAGE (M1, M2, M6, M7)
381	0130M00140	TRANSFORMER 120V TO 24V, 40 VA (M3, M4, M5, M8, M9, M10, M11)	NS	0259F00024	WIRE HARNESS-BLOWER (M1, M2, M6, M7)
391	0130M00141	INDUCTOR, 5.9 AMPS (GMPE100-4) (M3, M4, M5, M8, M9, M10, M11)	Expanded Model Nomenclature		
401	PCBKF200	PCB, CONTROL, FURNACE (M3, M4, M5, M8, M9, M10, M11)	M1 - ACVM960604CXAA		
461	0121F00094	CONTROL MOUNT PANEL (M3, M4, M5, M8, M9, M10, M11)	M2 - ACVM960604CXBA		
521	0130F00038	PRIMARY LIMIT - LT BLUE 120° (M3, M4, M5, M8, M9, M10, M11)	M3 - ACVM960805DXAA		
NS	0259F00040	CONTROL HARNESS (M3, M4, M5, M8, M9, M10, M11)	M4 - ACVM960805DXBA		
NS	0130F00158	DATA, FURNACE PCB MEMORY CHIP (M3)	M5 - ACVM961005DXAA		
NS	0130F00164	DATA, FURNACE PCB MEMORY CHIP (M8)	M6 - GCVM960604CXAA		
NS	0130F00165	DATA, FURNACE PCB MEMORY CHIP (M10)	M7 - GCVM960604CXBA		
NS	0130F00324	DATA, FURNACE PCB MEMORY CHIP (M9)	M8 - GCVM960805DXAA		
NS	0130F00325	DATA, FURNACE PCB MEMORY CHIP (M11)	M9 - GCVM960805DXBA		
NS	0130F00338	DATA, FURNACE PCB MEMORY CHIP (M4)	M10 - GCVM961005DXAA		
NS	0130F00373	DATA, FURNACE PCB MEMORY CHIP (M5)	M11 - GCVM961005DXBA		
NS	0159F00021	HARNESS, WIRING (M3, M4, M5, M8, M9, M10, M11)			
NS	0259F00041	POWER HARNESS (M3, M4, M5, M8, M9, M10, M11)			
NS	0259F00024	WIRE HARNESS-BLOWER (M3, M4, M5, M8, M9, M10, M11)			
<i>Image 2:</i>					
22	B1368047	BLOWER WHEEL 10 X 10 (M1, M2, M6, M7)			
42	B1392918	WASHER, FLAT 1/4 ID X 1 OD (M1, M2, M6, M7)			
52	764741F	BLOWER BLOCK-OFF 10 X 10 (M1, M2, M6, M7)			
142	0121M00038	MOTOR MOUNT BAND (M1, M2, M6, M7)			
152	B1376857	MOTOR MOUNT ARM (M1, M2, M6, M7)			
182	0131M00271	MOTOR, 3/4 HP, SERIAL ECM (M1, M2, M6, M7)			
192	0271F00004P	BLOWER HOUSING ASSY 10 X 10 (M1, M2, M6, M7)			
232	M0250565	TC SCREW 1.25" (M1, M2, M6, M7)			
382	0130M00140	TRANSFORMER 120V TO 24V, 40 VA (M1, M2, M6, M7)			
392	0130M00141	INDUCTOR, 5.9 AMPS (GMPE100-4) (M1, M2, M6, M7)			
402	PCBKF200	PCB, CONTROL, FURNACE (M1, M2, M6, M7)			

Chassis



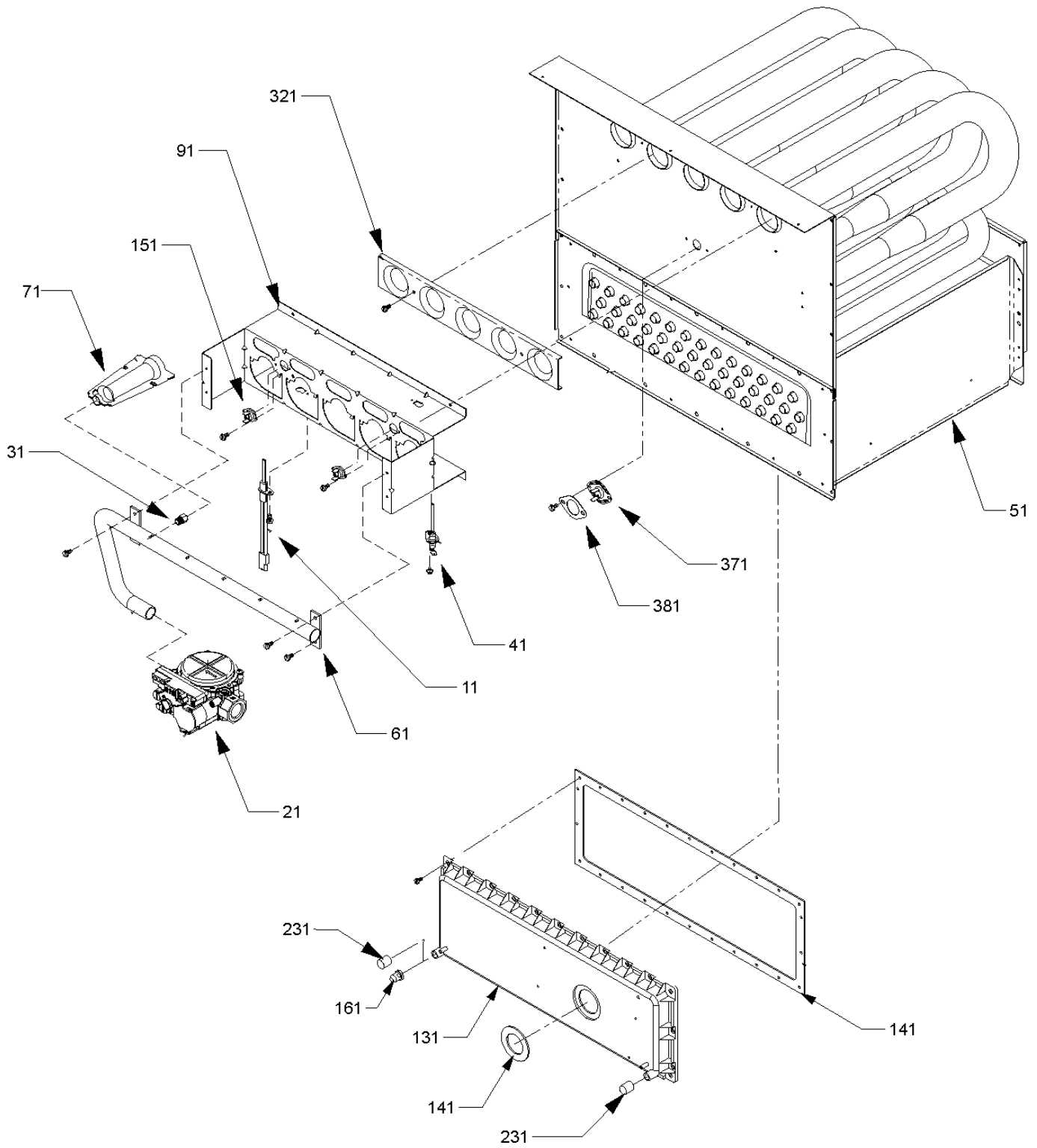
Chassis

Ref. Part No:	No:	Description:	Ref. Part No:	No:	Description:
<i>Image 1:</i>					
11	20273509	BASEPAN-C'FLOW FURN (M1, M2, M6, M7)			
11	20273511	BASEPAN-C'FLOW FURN (M3, M4, M5, M8, M9, M10, M11)			
31	0121F00046	BLOWER DECK (M1, M2, M6, M7)			
31	0121F00049	BLOWER DECK (M3, M4, M5, M8, M9, M10, M11)			
81	20273216	BACK PANEL (M1, M2, M6, M7)			
81	20273218	BACK PANEL (M3, M4, M5, M8, M9, M10, M11)			
91	C6415909	HEAT EXCHANGER INSULATION (M3, M4, M5, M8, M9, M10, M11)			
91	C6415911	HEAT EXCHANGER INSULATION (M1, M2, M6, M7)			
101	0121F00019P	DECK RAIL (M1, M2, M6, M7)			
101	20191303	DECK RAIL (M3, M4, M5, M8, M9, M10, M11)			
111	0270F00104P	TOP COVER ASSY (M1, M2, M6, M7)			
111	0270F00105P	TOP COVER ASSY (M3, M4, M5, M8, M9, M10, M11)			
121	20191603	SIDE RAIL (M1, M2, M6, M7)			
121	20191604	SIDE RAIL (M3, M4, M5, M8, M9, M10, M11)			
221	B1370818	INTERLOCK SWITCH			
241	20171802	ELBOW			
271	0131F00024	MOTOR, ID BLOWER			
281	20049701	FA COUPLING (QTY 2)			
291	0130F00070	PRESSURE SWITCH			
301	0130F00154	PRESSURE SWITCH (M5, M10, M11)			
301	0130F00155	PRESSURE SWITCH (M3, M4, M8, M9)			
301	0130F00156	PRESSURE SWITCH (M1, M2, M6, M7)			
411	0161F00012	JUNCTION BOX-PLA			
431	0161F00013	JUNCTION BOX-LID			
591	11165107	ID BLOWER SHIELD			
611	0163M00049	HOSE CLAMP (QTY 2)			
701	M0326804	TUBE PLUG			
791	20194608	GASKET (QTY 2)			
811	20194606	GASKET (M1, M2, M6, M7)			
811	20194607	GASKET (M3, M4, M5, M8, M9, M10, M11)			
891	20171802	ELBOW			
NS	0164M00002	PRESSURE SWITCH HOSE			
NS	0164M00011	PRESSURE SWITCH HOSE (M3, M4, M5, M8, M9, M10, M11)			
NS	0164M00015	PRESSURE SWITCH HOSE			

Expanded Model Nomenclature

- M1 - ACVM960604CXAA
- M2 - ACVM960604CXBA
- M3 - ACVM960805DXAA
- M4 - ACVM960805DXBA
- M5 - ACVM961005DXAA
- M6 - GCVM960604CXAA
- M7 - GCVM960604CXBA
- M8 - GCVM960805DXAA
- M9 - GCVM960805DXBA
- M10 - GCVM961005DXAA
- M11 - GCVM961005DXBA

Heat Exchanger / Manifold / Gas Valve



Heat Exchanger / Manifold / Gas Valve

Ref. Part No: No:	Description:	Ref. Part No: No:	Description:
-------------------	--------------	-------------------	--------------

Image 1:

11	0130F00008	IGNITOR-SINI 17 SEC
21	0151M00024	GAS VALVE
31	0163F00004	ORIFICE (QTY A/R)
41	0130F00010	FLAME SENSOR
51	0257F00219	HEAT EXCHANGER ASSY (M1, M2)
51	0257F00220	HEAT EXCHANGER ASSY (M3, M4)
51	0257F00224	HEAT EXCHANGER ASSY (M6, M7)
51	0257F00225	HEAT EXCHANGER ASSY (M8, M9)
51	0257F00226	HEAT EXCHANGER ASSY (M10, M11)
51	0257F00314	HEAT EXCHANGER ASSY (M5)
61	0120F00024	MANIFOLD (M1, M2, M6, M7)
61	0120F00025	MANIFOLD (M3, M4, M8, M9)
61	0120F00026	MANIFOLD (M5, M10, M11)
71	10735102	BECKETT BURNER (QTY A/R)
91	20190411	BURNER BRACKET 3B (M1, M2, M6, M7)
91	20190412	BURNER BRACKET 4B (M3, M4, M8, M9)
91	20190413	BURNER BRACKET 5B (M5, M10, M11)
131	20170909A	FRONT COVER (M1, M2, M6, M7)
131	20171004A	FRONT COVER (M5, M10, M11)
131	20171007A	FRONT COVER (M3, M4, M8, M9)
141	0154F00001P	COIL GASKET (M1, M2, M6, M7)
141	0154F00002P	COIL GASKET (M3, M4, M5, M8, M9, M10, M11)
151	0130F00123	LIMIT, RESET MAN (QTY 2)
161	M0326804	TUBE PLUG
231	A1781105	CAP-VINYL .500 (QTY 2)
321	0121F00265	ORIFICE SHIELD (M1, M2, M6, M7)
321	0121F00266	ORIFICE SHIELD (M3, M4, M8, M9)
321	0121F00267	ORIFICE SHIELD (M5, M10, M11)
371	20162907	PRIMARY LIMIT (M1, M2, M6, M7)
371	20162903	PRIMARY LIMIT - BLUE (M5, M10, M11)
371	20162905	PRIMARY LIMIT-YELLOW (M3, M4, M8, M9)
381	10236702	FRAME-WINDOW FUR

Expanded Model Nomenclature

M1 - ACVM960604CXAA
M2 - ACVM960604CXBA
M3 - ACVM960805DXAA
M4 - ACVM960805DXBA
M5 - ACVM961005DXAA
M6 - GCVM960604CXAA
M7 - GCVM960604CXBA
M8 - GCVM960805DXAA
M9 - GCVM960805DXBA
M10 - GCVM961005DXAA
M11 - GCVM961005DXBA