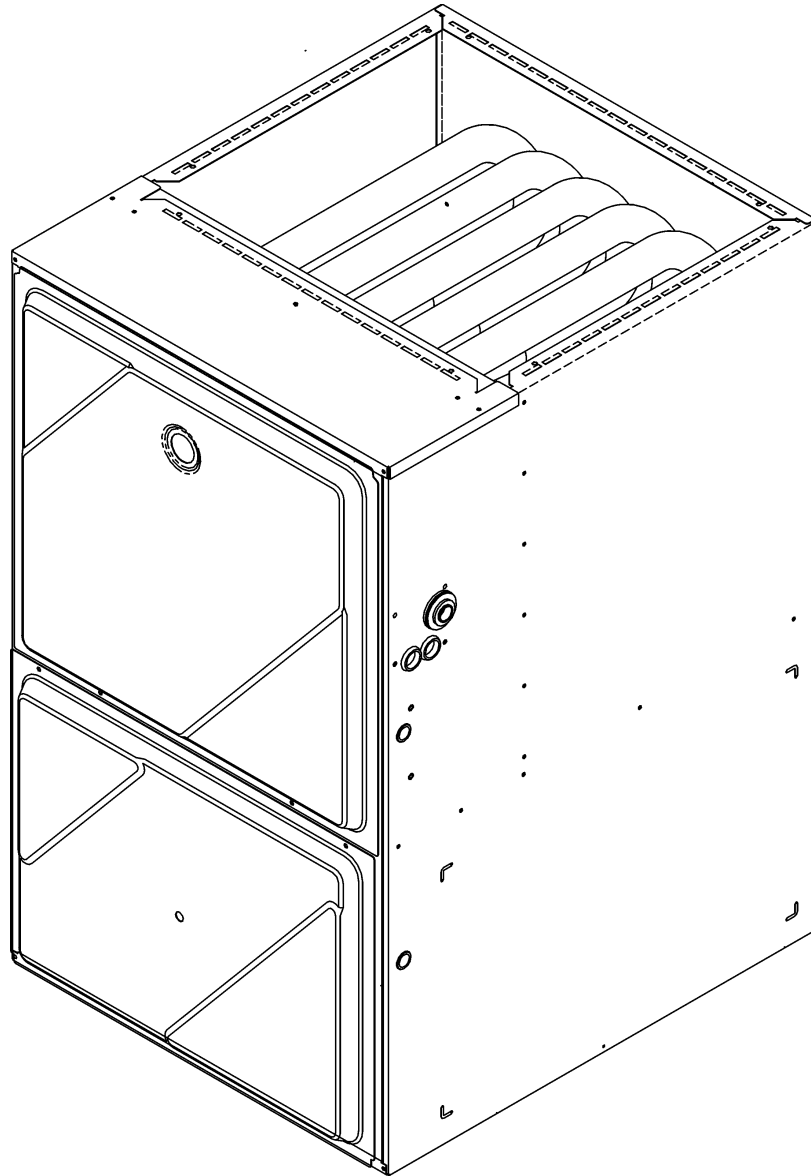


ACVC96 96% ECM Counter Flow Furnace

ACVC960403BNAA
ACVC960603BNAA
ACVC960804CNAA
ACVC961005CNAA
ACVC961205DNAA



Amana is a registered trademark of Maytag Corporation or its related companies and is used under license to Goodman Company, L.P., Houston, TX. All rights reserved.

This manual is to be used by qualified technicians only.

This manual replaces RP-A2000.

© 2014 Goodman Company, L.P. ♦ 5151 San Felipe St., Suite 500 ♦ Houston, TX 77056

Important Information

Index

Functional Parts List	3
Illustration and Parts	4 - 11

Views shown are for parts illustrations only, not servicing procedures

Short 90% Gas Furnace Project

Rev. A: Added bag assemblies 0270F03141 and 0270F03139

Text Codes:

AR - As Required

NA - Not Available

NS - Not Shown

00000000 - See Note

QTY - Quantity Example (QTY 3) (If Quantity not shown, Quantity = 1)

M - Model Example (M1) (If M Code not shown, then part is used on all Models)

Expanded Model Nomenclature:

Example M1 - Model#1 M2 - Model#2 M3 - Model#3

Goodman Company, L.P. is not responsible for personal injury or property damage resulting from improper service. Review all service information before beginning repairs.

Warranty service must be performed by an authorized technician, using authorized factory parts. If service is required after the warranty expires, Goodman Company, L.P. also recommends contacting an authorized technician and using authorized factory parts.

Goodman Company, L.P. reserves the right to discontinue, or change at any time, specifications or designs without notice or without incurring obligations.

For assistance within the U.S.A. contact:

Consumer Affairs Department

Goodman Company, L.P.

7401 Security Way

Houston, Texas 77040

877-254-4729-Telephone

713-863-2382-Facsimile

For assistance outside the U.S.A. contact:

International Division

Goodman Company, L.P.

7401 Security Way

Houston, Texas 77040

713-861-2500-Telephone

713-863-2382-Facsimile

Functional Parts

Part

No: Description:

0163F00017	BECKETT BURNER (QTY 2)
0271F00159	BLOWER SHELL & WHEEL ASSY (M2)
0271F00161	BLOWER SHELL & WHEEL ASSY (M3, M4)
0271F00163	BLOWER SHELL & WHEEL ASSY (M5)
0130F00307	DATA, FURNACE PCB
0130F00303	DATA, FURNACE PCB
0130F00304	DATA, FURNACE PCB
0130F00305	DATA, FURNACE PCB
0130F00306	DATA, FURNACE PCB
0130F00010	FLAME SENSOR
0151M00027	GAS VALVE
0257F00363	HEAT EXCHANGER ASSY (M3)
0257F00365	HEAT EXCHANGER ASSY (M5)
0257F00362	HEAT EXCHANGER ASSY (M2)
0257F00364	HEAT EXCHANGER ASSY (M4)
0257F00361	HEAT EXCHANGER ASSY (M1)
0130F00008	IGNITOR-SINI 17 SEC
0130M00141	INDUCTOR, 5.9 AMPS (GMPE100-4) (M3, M4, M5)
0130F00123	LIMIT, RESET MAN (M3, M4)
10123538	LIMIT-MAN-TAN (M2)
10123527	MANUAL RESET LIMIT (M5)
10123533	MANUAL RESET LIMIT-YELLOW (M1)
0131M00272	MOTOR, 1 HP, SERIAL ECM (M4, M5)
0131M00270	MOTOR, 1/2 HP, SERIAL ECM (M1, M2)
0131M00271	MOTOR, 3/4 HP, SERIAL ECM (M3)
0171M00002	MOTOR-ID, BLOWER
PCBKF104	PCB, CONTROL, FURNACE
0130F00038	PRIMARY LIMIT - LT BLUE 120° (QTY 2)
0130F00036	PRIMARY LIMIT - PINK (M5)
0130F00035	PRIMARY LIMIT - PURPLE 220° (M2)
20162906	PRIMARY LIMIT - WHITE (M1, M4)
20162904	PRIMARY LIMIT-TEMPERATURE CONTROL (M3)
0130F00444	SWITCH, PRESSURE (M5)
0130F00472	SWITCH, PRESSURE (M4)
0130F00474	SWITCH, PRESSURE (M3)
0130F00473	SWITCH, PRESSURE (M2)
0130F00471	SWITCH, PRESSURE (M1)
0130F00481	SWITCH, PRESSURE (M2, M3, M4, M5)
0130M00140	TRANSFORMER,(120V TO 24V,40VA,
0150M00043	WHEEL, BLOWER (10 X 8) (M1)

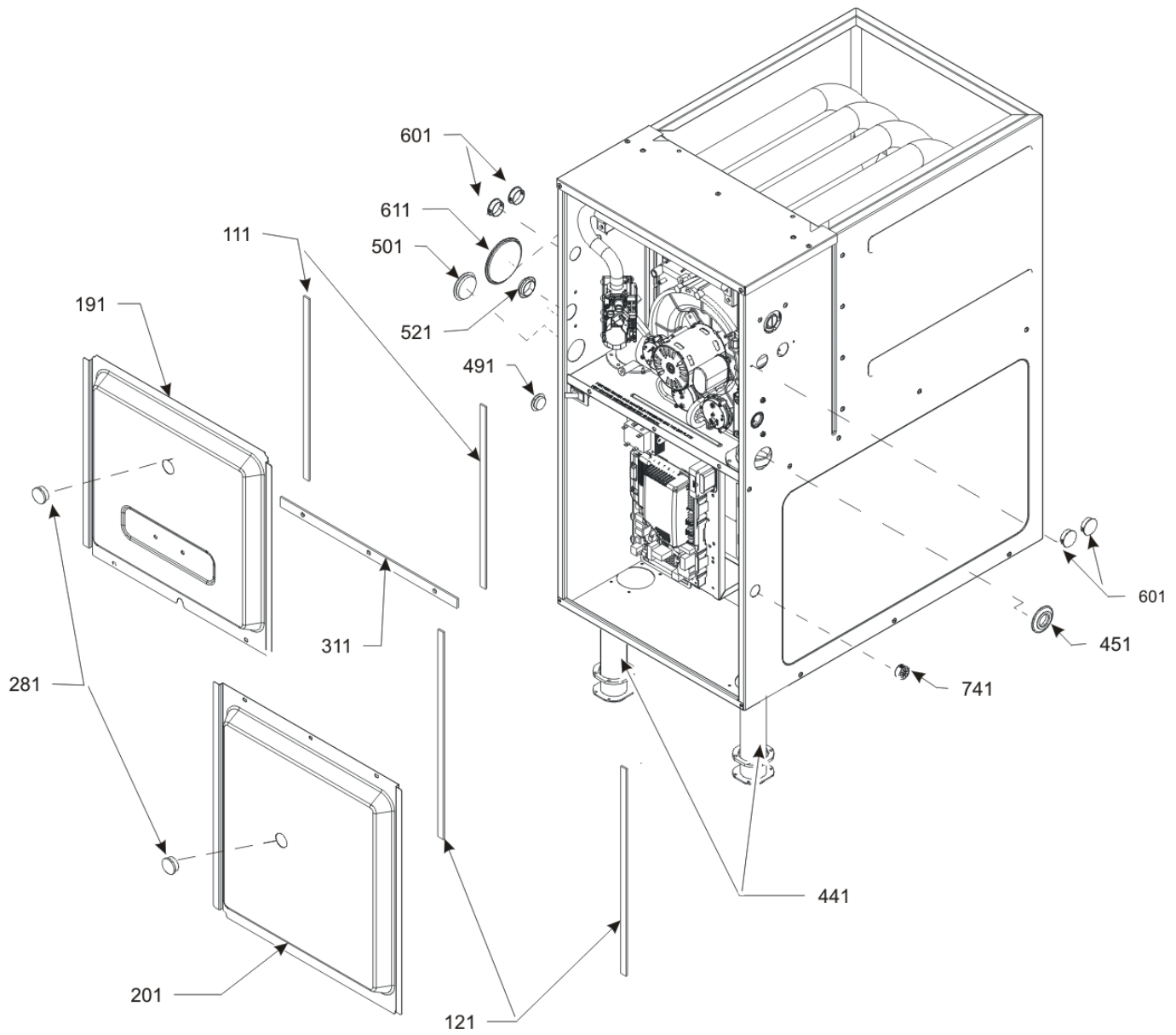
SPECIAL PARTS

0161M00003P AMANA NAMEPLATE

Expanded Model Nomenclature

M1 - ACVC960403BNAA
M2 - ACVC960603BNAA
M3 - ACVC960804CNAA
M4 - ACVC961005CNAA
M5 - ACVC961205DNAA

Cabinet



Cabinet

Ref. Part No: No:	Description:	Ref. Part No: No:	Description:
Image 1:			
111	0154F00024		GASKET (QTY 2)
121	0154F00025		GASKET (QTY 2)
191	0121F00338LG		DOOR ACCESS 21" PNT (M3, M4)
191	0121F00337LG		DOOR, ACCESS 17.5" PNT (M1, M2)
191	0121F00339LG		DOOR, ACCESS 24.5" PNT (M5)
201	0121F00340LG		DOOR, BLOWER 17.5" PNT (M1, M2)
201	0121F00341LG		DOOR, BLOWER 21" PNT (M3, M4)
201	0121F00342LG		DOOR, BLOWER 24.5" PNT (M5)
281	B1392139		VIEW PORT BUSHING-BLOWER DOOR (QTY 2)
311	0154F00020		GASKET, DECK (M1, M2)
311	0154F00021		GASKET, DECK (M3, M4)
311	0154F00022		GASKET, DECK (M5)
441	0161F00064		PIPE, STRAIGHT CF (QTY 2)
451	M0501301		PIPE GROMMET
491	M0570808		BUTTON PLUG
501	M0570806		BUTTON PLUG (QTY 2)
521	0161M00027		PLUG, HOLE
601	B1392021		PLASTIC PLUG, 1" (2713-BLK) (M1)
611	0163M00049		HOSE CLAMP (QTY 2)
741	B1392104		UNIVERSAL BUSHING UB 875
NS	0161M00003P		AMANA NAMEPLATE
NS	0270F03139		BAG ASSY CF
NS	M0310345		BUTTON PLUG (QTY 2)
NS	M0570807		BUTTON PLUG
NS	0270F03141		DRAIN PART BAG ASSY CF
NS	M0209730		SCREW-DECORATIVE (QTY 3)

Expanded Model Nomenclature

M1 - ACVC960403BNAA
M2 - ACVC960603BNAA
M3 - ACVC960804CNAA
M4 - ACVC961005CNAA
M5 - ACVC961205DNAA

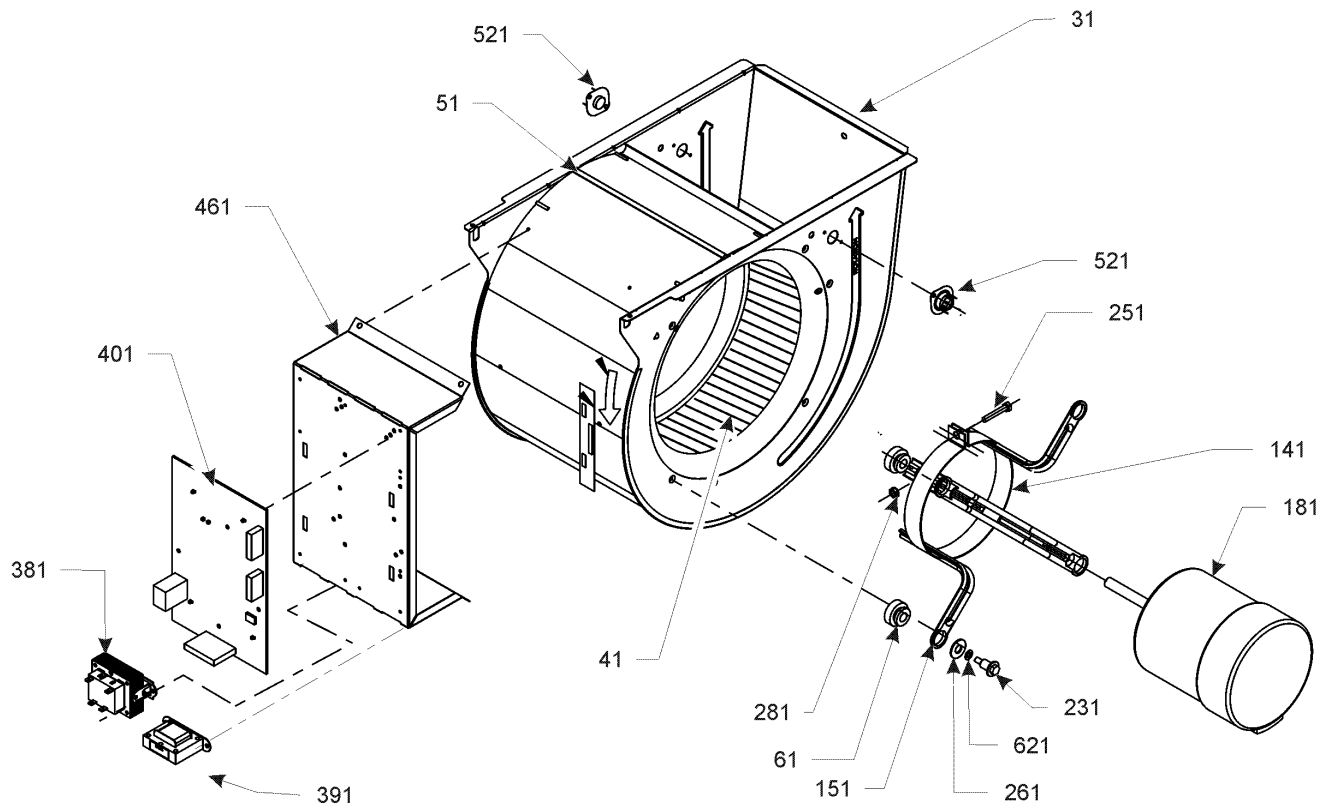
Blower Assembly

*If end bells are needed please order the following:

0131M00182 - 1/2 HP

0131M00183 - 3/4 HP

0131M00184 - 1 HP



Blower Assembly

Ref. Part No:	No:	Description:	Ref. Part No:	No:	Description:
Image 1:					
31	0271F00159	BLOWER SHELL & WHEEL ASSY (M2)			
31	0271F00161	BLOWER SHELL & WHEEL ASSY (M3, M4)			
31	0271F00163	BLOWER SHELL & WHEEL ASSY (M5)			
31	0271F00181	BLWR SCROLL 10X8 (M1)			
41	0150M00043	WHEEL, BLOWER (10 X 8) (M1)			
51	764740	BLWR BLK-OFF,10X8 (M1)			
61	A4002702	BLOWER MOTOR GROMMET (M3, M4, M5)			
141	0121M00038	MOTOR MOUNT BAND (M1, M2)			
141	10441601	MOTOR MOUNT BAND (M3, M4, M5)			
151	10441501	MOTOR MOUNT ARM (M3, M4, M5)			
151	B1376857	MOTOR MOUNT ARM (M1, M2)			
181	0131M00272	MOTOR, 1 HP, SERIAL ECM (M4, M5)			
181	0131M00270	MOTOR, 1/2 HP, SERIAL ECM (M1, M2)			
181	0131M00271	MOTOR, 3/4 HP, SERIAL ECM (M3)			
231	M0221461	TC SCREW (M3, M4, M5)			
231	M0250565	TC SCREW 1.25" (M1, M2)			
251	B1393323	MACHINE SCREW HWH 1/4-20 X 1-1/2 BZ (M1, M2)			
261	B1392918	WASHER, FLAT 1/4 ID X 1 OD (M1, M2)			
281	M0282015	KEPS NUT (M3, M4, M5)			
281	B1393800	LOCKNUT, NYLON, INSERT 1/4, 20 (M1, M2)			
381	0130M00140	TRANSFORMER,(120V TO 24V,40VA,			
391	0130M00141	INDUCTOR, 5.9 AMPS (GMPE100-4) (M3, M4, M5)			
401	PCBKF104	PCB, CONTROL, FURNACE			
461	0121F00464	MOUNTING PLATE-CONTROLS			
521	0130F00038	PRIMARY LIMIT - LT BLUE 120° (QTY 2)			
621	B1392820	WASHER, SPLIT LOCK 1/4 BZ (M3, M4, M5)			
NS	0259F00040	CONTROL HARNESS			
NS	0130F00303	DATA, FURNACE PCB			
NS	0130F00304	DATA, FURNACE PCB			
NS	0130F00305	DATA, FURNACE PCB			
NS	0130F00306	DATA, FURNACE PCB			
NS	0130F00307	DATA, FURNACE PCB			
NS	B1392021	PLASTIC PLUG, 1" (2713-BLK) (QTY 4)			
NS	0259F00041	POWER HARNESS HIGH VOLTAGE			
NS	0259F00024	WIRE HARNESS-BLOWER			

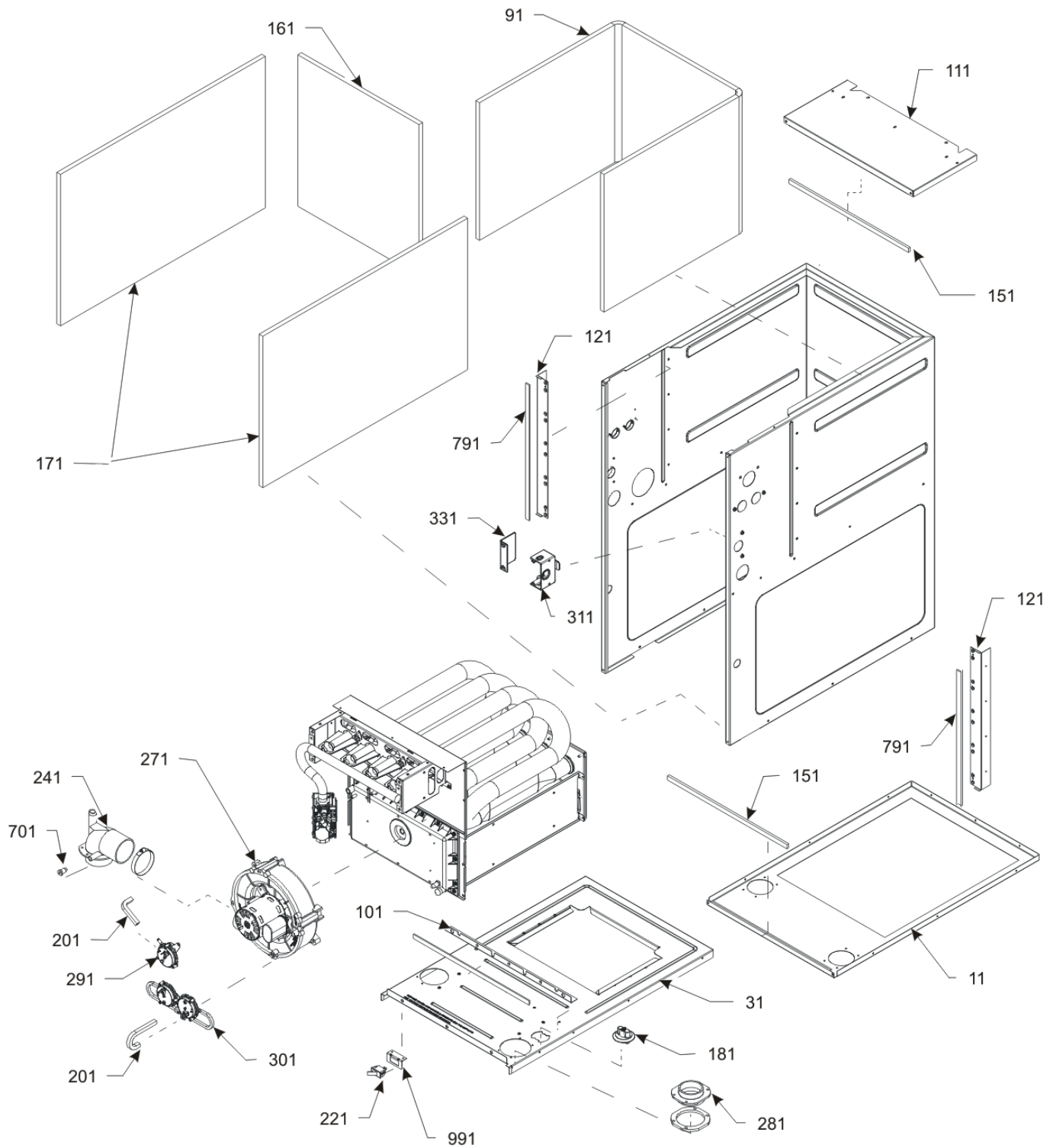
Expanded Model Nomenclature

- M1 - ACVC960403BNAA
- M2 - ACVC960603BNAA
- M3 - ACVC960804CNAA
- M4 - ACVC961005CNAA
- M5 - ACVC961205DNAA

*If end bells are needed please order the following:

- 0131M00182 - 1/2 HP
- 0131M00183 - 3/4 HP
- 0131M00184 - 1 HP

Chassis



Chassis

**Ref. Part
No: No:**

Description:

**Ref. Part
No: No:**

Description:

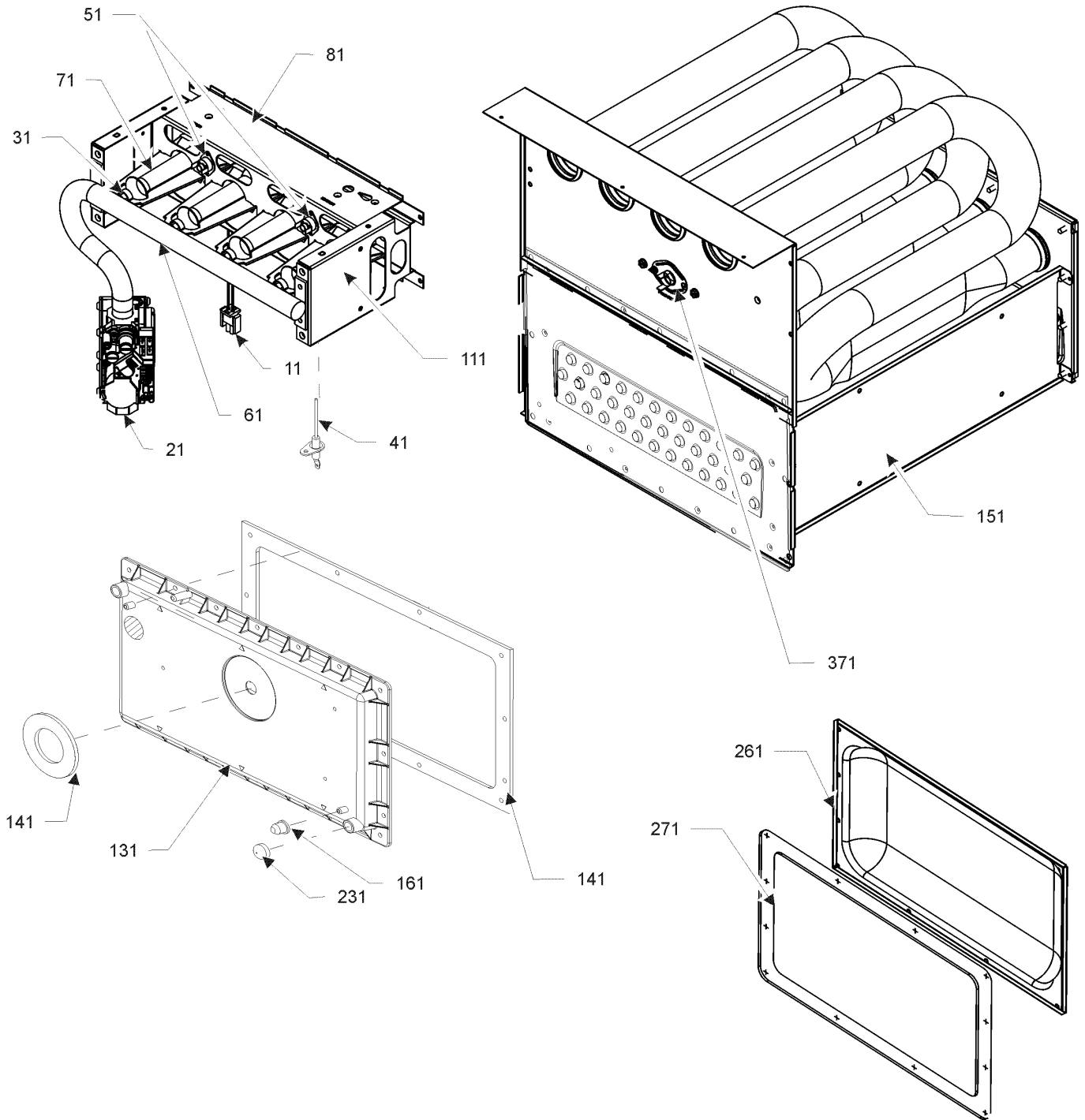
Image 1:

11	0121F00435DG	PAINTED BASE PAN-21" C (M3, M4)
11	0121F00443DG	PAINTED BASE PAN-24.5" CF (M5)
11	0121F00427DG	PAINTED BASEPAN-17.5" CF (M1, M2)
31	0121F00441	DECK, BLOWER, 24.5 CF (M5)
31	0121F00425	DECK-BLOWER, 17.5" CF (M1, M2)
31	0121F00433	DECK-BLOWER, 21" CF (M3, M4)
91	0160F00015	INSULATION, HT EXCHANGER 17.5" (M1, M2)
91	0160F00016	INSULATION, HT EXCHANGER 21" (M3, M4)
91	0160F00017	INSULATION, HT EXCHANGER 24.5" (M5)
101	0121F00314	ANGLE, DECK (M1, M2)
101	0121F00315	ANGLE, DECK (M3, M4)
101	0121F00316	ANGLE, DECK (M5)
111	0121F00426DG	TOP, PAINTED FURNACE 17.5" CF (M1, M2)
111	0121F00434DG	TOP, PAINTED FURNACE 21" CF (M3, M4)
111	0121F00442DG	TOP, PAINTED FURNACE 24.5 CF (M5)
121	0121F00313	ANGLE, SIDE (QTY 2)
151	20179307	GASKET-FA (M5)
151	20179309	GASKET-FA (M1, M2)
151	20179310	GASKET-FA (M3, M4)
161	0160F00012	INSULATION-BACK 17.5" (M1, M2)
161	0160F00013	INSULATION-BACK 21" (M3, M4)
161	0160F00014	INSULATION-BACK 24.5" (M5)
171	0160F00018	INSULATION, SIDE (QTY 2)
181	0159F00051	HARNESS-WIRING
201	0164M00019	HOSE-PRESSURE SW 6"
221	10690402	INTERLOCK SWITCH
241	0164F00003	ELBOW-FLUE, 17.5" CFLOW (M1, M2)
241	0164F00004	ELBOW-FLUE, 21" CFLOW (M3, M4)
241	0164F00005	ELBOW-FLUE, 24.5" CFLOW (M5)
271	0171M00002	MOTOR-ID, BLOWER
281	0161F00037	COUPLING
291	0130F00481	SWITCH, PRESSURE (M2, M3, M4, M5)
291	0130F00486	SWITCH, PRESSURE (M1)
301	0130F00444	SWITCH, PRESSURE (M5)
301	0130F00471	SWITCH, PRESSURE (M1)
301	0130F00472	SWITCH, PRESSURE (M4)
301	0130F00473	SWITCH, PRESSURE (M2)
301	0130F00474	SWITCH, PRESSURE (M3)
311	0161F00042	JUNCTION BOX PLA
331	0161F00043	JUNCTION BOX LID
701	M0326804	TUBE PLUG
791	0154F00015	GASKET (QTY 2)
991	0121F00389	BRACKET, DOOR SWITCH
NS	0161F00046	DRAIN TRAP
NS	0154F00014	GASKET (M1, M2)
NS	0154F00016	GASKET (M3, M4, M5)

Expanded Model Nomenclature

M1 - ACVC960403BNAA
M2 - ACVC960603BNAA
M3 - ACVC960804CNAA
M4 - ACVC961005CNAA
M5 - ACVC961205DNAA

Heat Exchanger / Manifold / Gas Valve



Heat Exchanger / Manifold / Gas Valve

**Ref. Part
No: No:**

Description:

**Ref. Part
No: No:**

Description:

Image 1:

11	0130F00008	IGNITOR-SINI 17 SEC
21	0151M00027	GAS VALVE
31	0163F00004	ORIFICE (QTY 2)
41	0130F00010	FLAME SENSOR
51	0130F00123	LIMIT, RESET MAN (M3, M4)
51	10123538	LIMIT-MAN-TAN (M2)
51	10123527	MANUAL RESET LIMIT (M5)
51	10123533	MANUAL RESET LIMIT-YELLOW (M1)
61	0163F00007	MANIFOLD (M1)
61	0163F00008	MANIFOLD (M2)
61	0163F00009	MANIFOLD (M3)
61	0163F00010	MANIFOLD (M4)
61	0163F00011	MANIFOLD (M5)
71	0163F00017	BECKETT BURNER (QTY 2)
81	0121F00456	BRACKET-BURNER 2 (M1)
81	0121F00455	BRACKET-BURNER 3 (M2)
81	0121F00454	BRACKET-BURNER 4 (M3)
81	0121F00453	BRACKET-BURNER 5 (M4)
81	0121F00451	BRACKET-BURNER 6 (M5)
111	0121F00469	ORIFICE BRACKET-BURNER 2 (M1)
111	0121F00468	ORIFICE BRACKET-BURNER 3 (M2)
111	0121F00467	ORIFICE BRACKET-BURNER 4 (M3)
111	0121F00466	ORIFICE BRACKET-BURNER 5 (M4)
111	0121F00465	ORIFICE BRACKET-BURNER 6 (M5)
131	0161F00015	COVER, FRONT (M1)
131	0161F00030	COVER, FRONT (M3)
131	0161F00054	COVER, FRONT (M2)
131	0161F00060	COVER, FRONT (M4)
131	0161F00070	COVER, FRONT (M5)
141	0154F00011	GASKET, FRONT (M1, M2)
141	0154F00012	GASKET, FRONT (M3, M4)
141	0154F00013	GASKET, FRONT (M5)
151	0257F00361	HEAT EXCHANGER ASSY (M1)
151	0257F00362	HEAT EXCHANGER ASSY (M2)
151	0257F00363	HEAT EXCHANGER ASSY (M3)
151	0257F00364	HEAT EXCHANGER ASSY (M4)
151	0257F00365	HEAT EXCHANGER ASSY (M5)
161	M0326804	TUBE PLUG
231	A1781105	CAP-VINYL .500
261	0121F00317	COVER, REAR (M1, M2)
261	0121F00318	COVER, REAR (M3, M4)
261	0121F00319	COVER, REAR (M5)
271	0154F00008	GASKET, REAR CVR (M1, M2)
271	0154F00009	GASKET, REAR CVR (M3, M4)
271	0154F00010	GASKET, REAR CVR (M5)
371	0130F00036	PRIMARY LIMIT - PINK (M5)
371	0130F00035	PRIMARY LIMIT - PURPLE 220° (M2)
371	20162906	PRIMARY LIMIT - WHITE (M1, M4)
371	20162904	PRIMARY LIMIT-TEMPERATURE CONTROL (M3)
NS	0121F00439	HEAT SHIELD-PRIMARY LIMIT
NS	0121F00355	SHIELD, COIL (QTY 2)

Expanded Model Nomenclature

M1 - ACVC960403BNAA
M2 - ACVC960603BNAA
M3 - ACVC960804CNAA
M4 - ACVC961005CNAA
M5 - ACVC961205DNAA