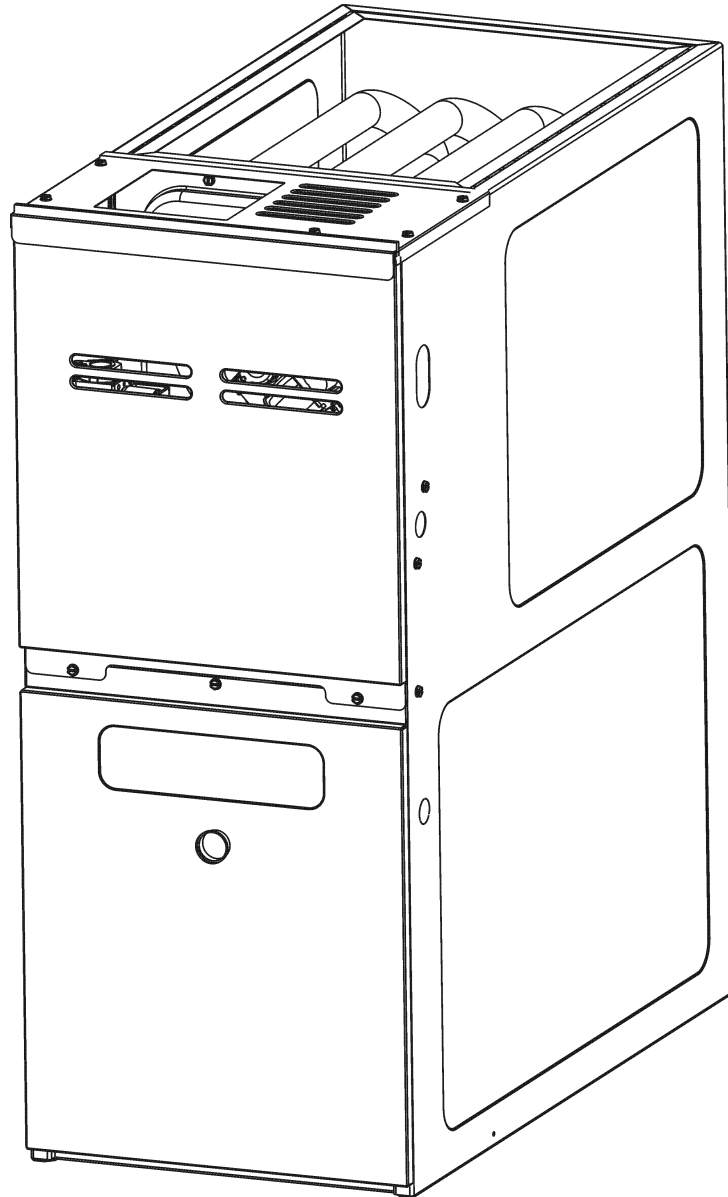


ACVC 80% 2-Stage Variable Speed Downflow Horizontal Furnace

ACVC80603BXBC
ACVC80803BXBC
ACVC80805CXBC
ACVC81005CXBC



Amana[®] is a registered trademark of Maytag Corporation or its related companies and is used under license. All rights reserved.

This manual is to be used by qualified technicians only.

Important Information

Index

Functional Parts List	3
Illustration and Parts	4 - 9

Views shown are for parts illustrations only, not servicing procedures

Text Codes:

AR - As Required

NA - Not Available

NS - Not Shown

00000000 - See Note

QTY - Quantity Example (QTY 3) (If Quantity not shown, Quantity = 1)

M - Model Example (M1) (If M Code not shown, then part is used on all Models)

Expanded Model Nomenclature:

Example M1 - Model#1 M2 - Model#2 M3 - Model#3

Goodman Manufacturing Company, L.P. is not responsible for personal injury or property damage resulting from improper service. Review all service information before beginning repairs.

Warranty service must be performed by an authorized technician, using authorized factory parts. If service is required after the warranty expires, Goodman Manufacturing Company, L.P. also recommends contacting an authorized technician and using authorized factory parts.

Goodman Manufacturing Company, L.P. reserves the right to discontinue, or change at any time, specifications or designs without notice or without incurring obligations.

For assistance within the U.S.A. contact:

Homeowner Support
Goodman Company, L.P.
19001 Kermier Road
Waller, Texas 77484
877-254-4729-Telephone
713-863-2382-Facsimile

For assistance outside the U.S.A. contact:

International Division
Goodman Company, L.P.
19001 Kermier Road
Waller, Texas 77484
713-861-2500-Telephone
713-863-2382-Facsimile

Functional Parts

Part

No: Description:

0130F00049	AIR PRESSURE SWITCH (M3, M4)
0130F00542	DATA, FURNACE PCB (M1)
0130F00542	DATA, FURNACE PCB (M2)
0130F00542	DATA, FURNACE PCB (M3)
0130F00542	DATA, FURNACE PCB (M4)
0130F00571	DUAL STAGE PRESSURE SWITCH (M2)
0130F00010	FLAME SENSOR
0130M00141	INDUCTOR, 5.9 AMPS (GMPE100-4) (M3, M4)
10690402	INTERLOCK SWITCH
0130F00067	LIMIT-RED (M3, M4)
10123529	MANUAL RESET R.O.S LIMIT (QTY 2)
0131M00270	MOTOR, 1/2 HP, SERIAL ECM (M1, M2)
0131M00271	MOTOR, 3/4 HP, SERIAL ECM (M3, M4)
0131M00781P	MOTOR, VENT 2-STAGE
PCBKF104	PCB, CONTROL, FURNACE
0130F00071	PRESSURE LIMIT SWITCH (M1)
B1370210	PRESSURE SWITCH, PINK (M1)
0130F00038	PRIMARY LIMIT - LT BLUE 120° (AUX)
0130F00036	PRIMARY LIMIT - PINK (M2)
0130F00008	SINI IGNITOR
0130M00140	TRANSFORMER 120V TO 24V, 40VA
0130M00140	TRANSFORMER 120V TO 24V, 40VA
0151M00028	VALVE,GAS(HW)VR92

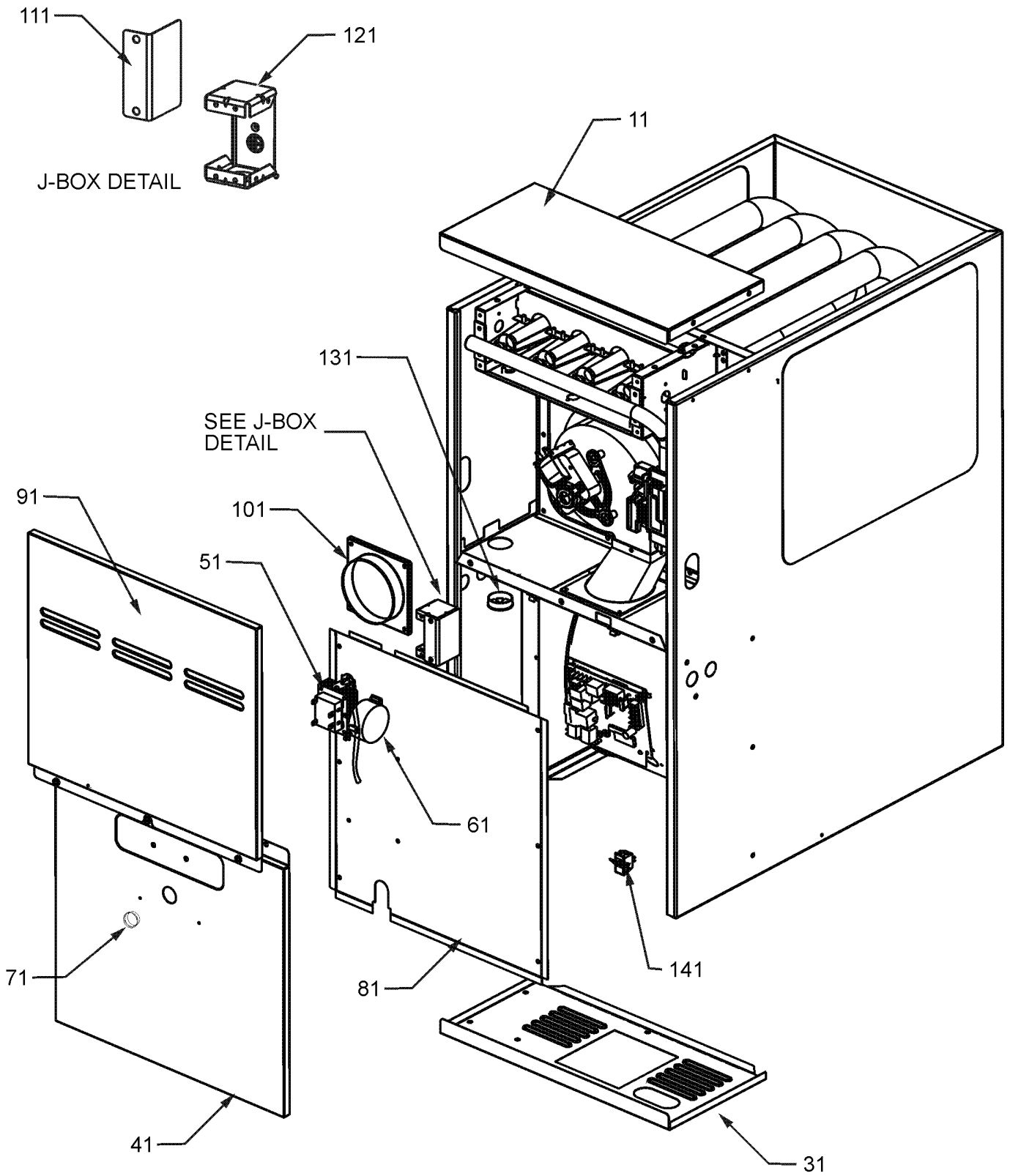
SPECIAL PARTS

0161F00006 AMANA NAMEPLATE

Expanded Model Nomenclature

M1 - ACVC80603BXBC
M2 - ACVC80803BXBC
M3 - ACVC80805CXBC
M4 - ACVC81005CXBC

Wrapper Assy



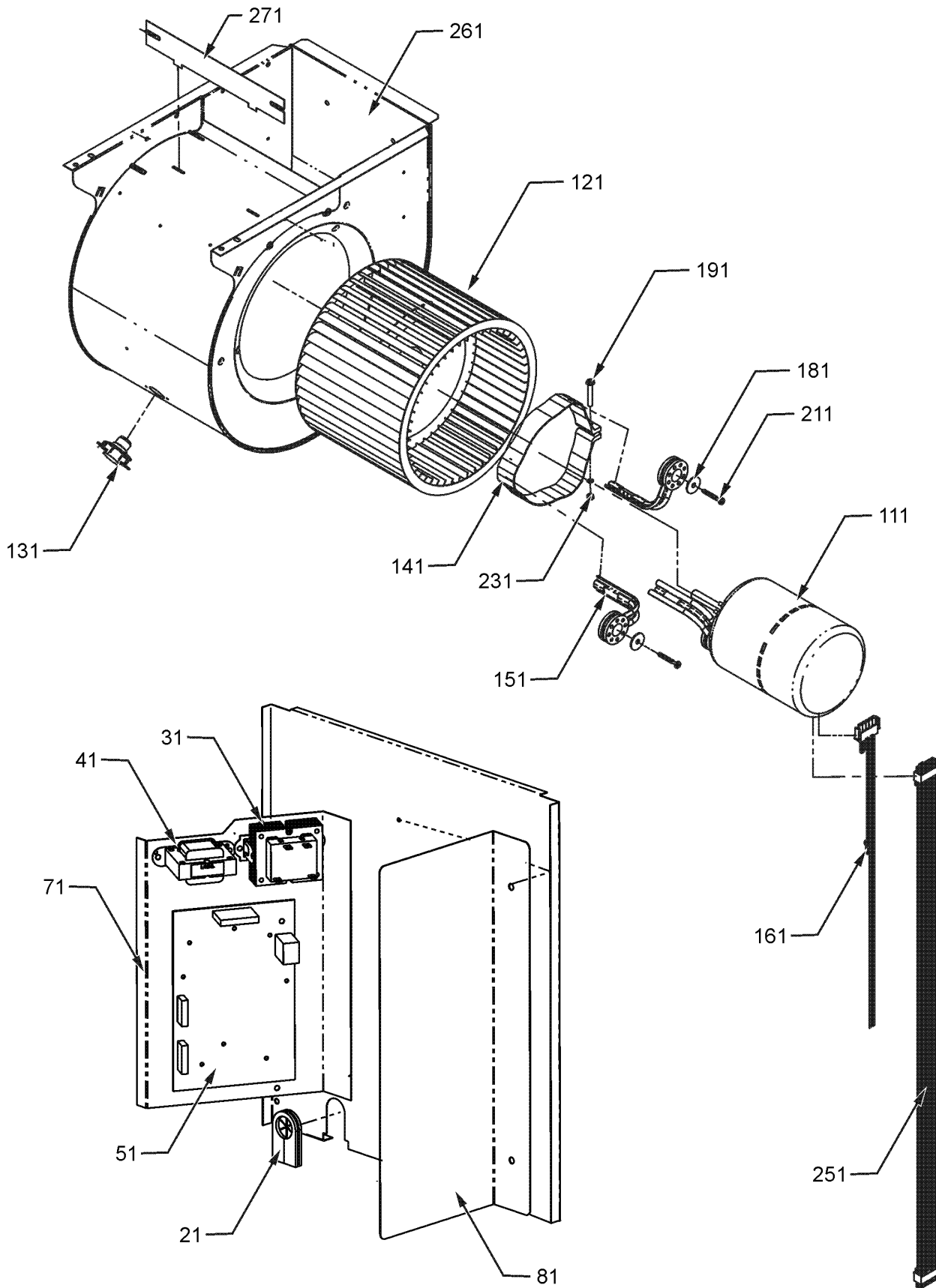
Wrapper Assy

Ref. Part No:	No:	Description:	Ref. Part No:	No:	Description:
Image 1:					
11	0121F00190DG	FURNACE BOTTOM 17.5" (M1, M2)			
11	0121F00191DG	FURNACE BOTTOM 21" (M3, M4)			
31	0121F00142DG	TOP 17.5" (M1, M2)			
31	0121F00143DG	TOP 21" (M3, M4)			
41	0121F00123LG	BLOWER ACCESS DOOR 17.5" (M1, M2)			
41	0121F00124LG	BLOWER ACCESS DOOR 21" (M3, M4)			
51	0130M00140	TRANSFORMER 120V TO 24V, 40VA			
61	0130F00049	AIR PRESSURE SWITCH (M3, M4)			
61	0130F00571	DUAL STAGE PRESSURE SWITCH (M2)			
61	B1370210	PRESSURE SWITCH, PINK (M1)			
71	B1392139	VIEW PORT BUSHING-BLOWER DOOR			
81	0121F00227	DOOR, INNER 17.5" (M1, M2)			
81	0121F00228	DOOR, INNER 21" (M3, M4)			
91	0121F00119LG	CONTROL ACCESS DOOR 17.5" (M1, M2)			
91	0121F00120LG	CONTROL ACCESS DOOR 21" (M3, M4)			
101	4023500	CHIMNEY TRANSITION TOP			
111	4015502	J-BOX COVER			
121	4014502	J-BOX			
131	B1392147	UNIVERSAL BUSHING WITH SLICE			
141	10690402	INTERLOCK SWITCH			
NS	0161F00006	AMANA NAMEPLATE			

Expanded Model Nomenclature

M1 - ACVC80603BXBC
M2 - ACVC80803BXBC
M3 - ACVC80805CXBC
M4 - ACVC81005CXBC

Blower Assy



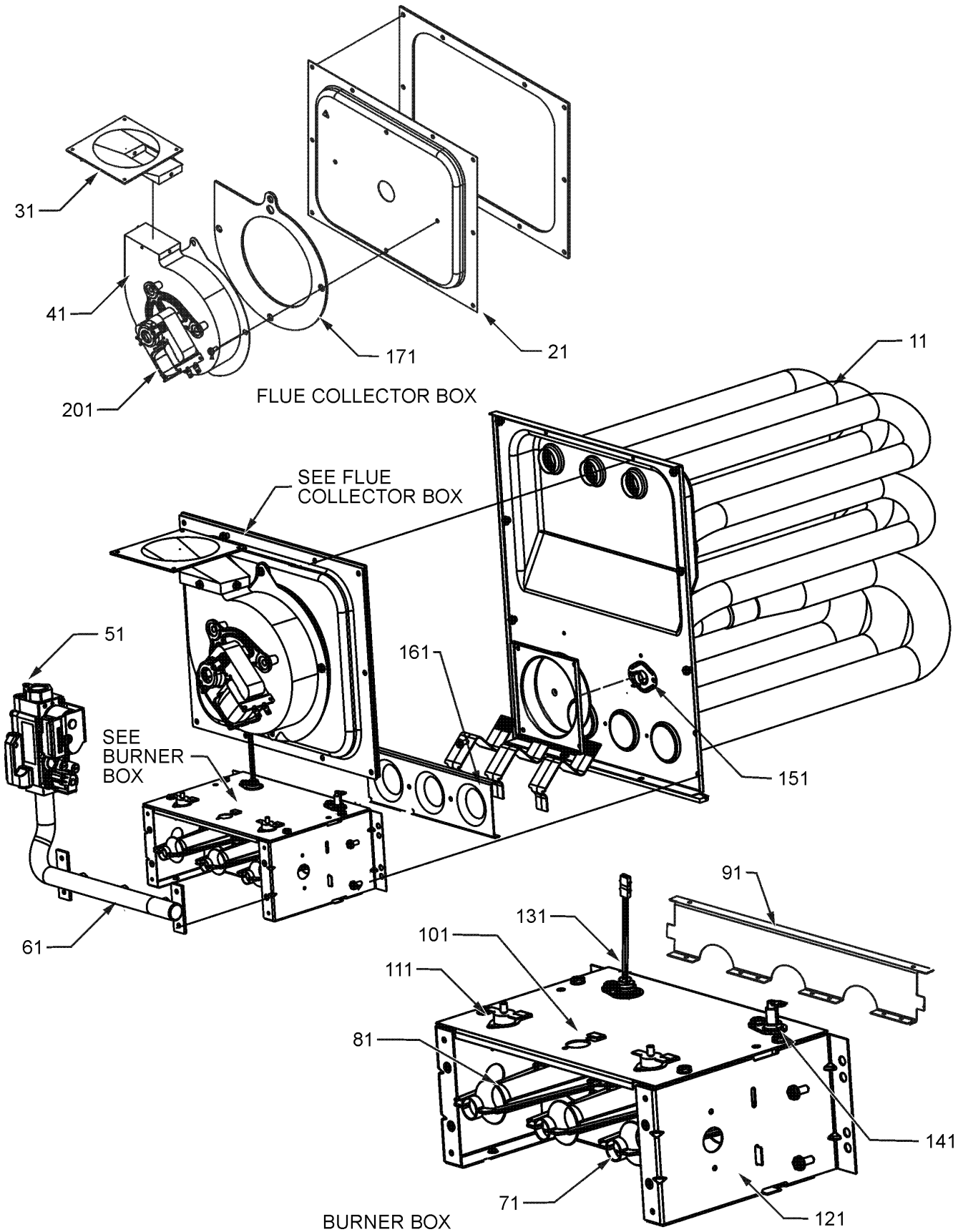
Blower Assy

Ref. Part No: No:	Description:	Ref. Part No: No:	Description:
Image 1:			
21	20477501		GROMMET-HORSESHOE
31	0130M00140		TRANSFORMER 120V TO 24V, 40VA
41	0130M00141		INDUCTOR, 5.9 AMPS (GMPE100-4) (M3, M4)
51	PCBKF104		PCB, CONTROL, FURNACE
71	0121F00186		BRACKET, CONTROL
81	0121F00229		HEAT SHIELD
111	0131M00270		MOTOR, 1/2 HP, SERIAL ECM (M1, M2)
111	0131M00271		MOTOR, 3/4 HP, SERIAL ECM (M3, M4)
121	0150M00042		WHEEL, BLOWER (10 X 10) (M3, M4)
121	0150M00043		WHEEL, BLOWER (10 X 8) (M1, M2)
131	0130F00038		PRIMARY LIMIT - LT BLUE 120° (AUX)
141	0121M00038		MOTOR MOUNT BAND (M1, M2)
141	0121M00039		MOTOR MOUNT BAND (HEAVY DUTY) (M3, M4)
151	B1376853		MOTOR MOUNT ARM (M1, M2)
151	B1376863		MOTOR MOUNT ARM (HEAVY DUTY) (M3, M4)
161	0259F00068		HARNESS-POWER
181	B1392918		WASHER, FLAT 1/4 ID X 1 OD (QTY 3)
191	0163M00320		HEX HEAD ALL THREAD TAP BOLT
211	M0250565		TC SCREW 1.25" (QTY 3)
211	M0250565		TC SCREW 1.25" (QTY 3)
231	B1393800		LOCKNUT, NYLON, INSERT 1/4, 20
251	0259F00067		CONTROL HARNESS
261	2539307		BLOWER HOUSING 10 X 10 (M3, M4)
261	2539306		BLOWER HOUSING 10 X 8 (M1, M2)
271	764741		BLOWER BLOCK-OFF 10 X 10 (M3, M4)
271	764740		BLOWER BLOCK-OFF 10 X 8 (M1, M2)
NS	0130F00542		DATA, FURNACE PCB (M4)
NS	0130F00542		DATA, FURNACE PCB (M1)
NS	0130F00542		DATA, FURNACE PCB (M3)
NS	0130F00542		DATA, FURNACE PCB (M2)

Expanded Model Nomenclature

M1 - ACVC80603BXBC
M2 - ACVC80803BXBC
M3 - ACVC80805CXBC
M4 - ACVC81005CXBC

Heat Exchanger Assy



Heat Exchanger Assy

Ref. Part No: No:	Description:	Ref. Part No: No:	Description:
-------------------	--------------	-------------------	--------------

Image 1:

11	0270F03531	HEAT EXCHANGER ASSY (M1)
11	0270F03532	HEAT EXCHANGER ASSY (M2)
11	0270F03533	HEAT EXCHANGER ASSY (M3)
11	0270F03534	HEAT EXCHANGER ASSY (M4)
21	0121F00332	17.5" COLLECTOR BOX 1.375" DIA (M1)
21	0121F00331	17.5" COLLECTOR BOX 1.500" DIA (M2)
21	0121F00365	21" COLLECTOR BOX 1.437" DIA. (M3)
21	0121F00333	21" COLLECTOR BOX 1.75" DIA (M4)
31	0128F00006	CHIMNEY TRANSITION BOTTOM
41	0131M00781P	MOTOR, VENT 2-STAGE
51	0151M00028	VALVE,GAS(HW)VR92
61	0120F00007	MANIFOLD (M1)
61	0120F00008	MANIFOLD (M2, M3)
61	0120F00009	MANIFOLD (M4)
71	10716005	ORIFICE (QTY 3)
81	B4022700	INSHOT BURNER ASSY 3" (QTY 3)
91	0121F00168	BURNER BRACKET 3B (M1)
91	0121F00169	BURNER BRACKET 4B (M2, M3)
91	0121F00170	BURNER BRACKET 5B (M4)
101	0121F00163	BURNER BOX TOP 3 CELL (M1)
101	0121F00164	BURNER BOX TOP 4 CELL (M2, M3)
101	0121F00165	BURNER BOX TOP 5 CELL (M4)
111	10123529	MANUAL RESET R.O.S LIMIT (QTY 2)
121	0121F00146	BURNER BOX SIDE (QTY 2)
131	0130F00008	SINI IGNITOR
141	0130F00010	FLAME SENSOR
151	0130F00067	LIMIT-RED (M3, M4)
151	0130F00071	PRESSURE LIMIT SWITCH (M1)
151	0130F00036	PRIMARY LIMIT - PINK (M2)
161	4028001	ORIFICE SHIELD 3 CELL (M1)
161	4028002	ORIFICE SHIELD 4 CELL (M2, M3)
161	4028003	ORIFICE SHIELD 5 CELL (M4)
171	0154F00004	VENT MOTOR GASKET 17.5" (M1, M2)
171	0154F00005	VENT MOTOR GASKET 21" (M3, M4)
201	DY6.186.070	VENT MOTOR CAPACITOR
NS	0259F00066	INDUCER HARNESS ASSY
NS	0259F00065	WIRE HARNESS ASSY
NS	0259F00080	WIRE HARNESS ASSY

Expanded Model Nomenclature

- | |
|--------------------|
| M1 - ACVC80603BXBC |
| M2 - ACVC80803BXBC |
| M3 - ACVC80805CXBC |
| M4 - ACVC81005CXBC |