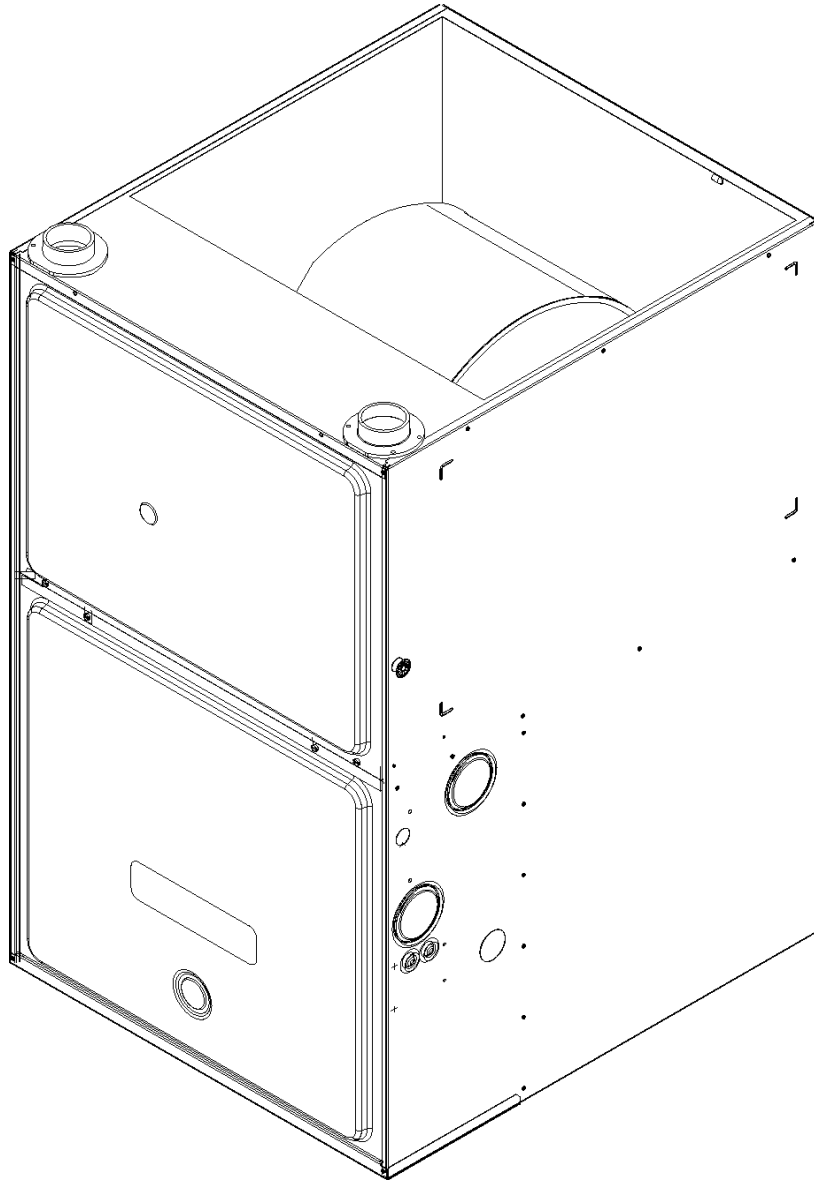


## ACSH 96% CF Furnace

ACSH960453BXAA  
ACSH960703BXAA  
ACSH960704CXAA  
ACSH960904CXAA  
ACSH960905DXAA  
ACSH961155DXAA



Amana is a registered trademark of Maytag Corporation or its related companies and is used under license to Goodman Company, L.P., Houston, TX. All rights reserved.

This manual is to be used by qualified technicians only.

# Important Information

---

## Index

Functional Parts List .....	3
Illustration and Parts .....	4 - 11

*Views shown are for parts illustrations only, not servicing procedures*

11-18-13: Updated blower wheel B1368047A to B1368047.

### Text Codes:

AR - As Required

NA - Not Available

NS - Not Shown

00000000 - See Note

QTY - Quantity Example (QTY 3) (If Quantity not shown, Quantity = 1)

M - Model Example (M1) (If M Code not shown, then part is used on all Models)

### Expanded Model Nomenclature:

Example M1 - Model#1 M2 - Model#2 M3 - Model#3
---

Goodman Company, L.P. is not responsible for personal injury or property damage resulting from improper service. Review all service information before beginning repairs.

Warranty service must be performed by an authorized technician, using authorized factory parts. If service is required after the warranty expires, Goodman Company, L.P. also recommends contacting an authorized technician and using authorized factory parts.

Goodman Company, L.P. reserves the right to discontinue, or change at any time, specifications or designs without notice or without incurring obligations.

For assistance within the U.S.A. contact:

Consumer Affairs Department  
Goodman Company, L.P.  
7401 Security Way  
Houston, Texas 77040  
877-254-4729-Telephone  
713-863-2382-Facsimile

For assistance outside the U.S.A. contact:

International Division  
Goodman Company, L.P.  
7401 Security Way  
Houston, Texas 77040  
713-861-2500-Telephone  
713-863-2382-Facsimile

# Functional Parts

## Part

## No: Description:

---

10735102	BECKETT BURNER (QTY A/R)
0131F00022	BLOWER MOTOR 1/2 HP, 4 SP, 6 PL (M3)
0131F00020	BLOWER MOTOR 1/3 HP, 4 SP, 6 PL (M1, M2)
10759415	BLOWER MOTOR 3/4 HP, 4 SP, 8 PL
D6723311	BLOWER WHEEL (M5, M6)
B1368047	BLOWER WHEEL 10 X 10 (M3, M4)
B1368058	BLOWER WHEEL 10 X 8 (M1, M2)
CAP125000370VA	CAPACITOR 12.5/370V (M1, M2)
CAP150000370VA	CAPACITOR 15/370V
CAP200000370VA	CAPACITOR 20/370V (M3)
0130F00010	FLAME SENSOR
10123517	MANUAL RESET LIMIT (M1, M2, M3, M5, M6)
10123534	MANUAL RESET LIMIT 220°F (M4)
PCBBF132	PCB 2STAGE HYBRID FURNACE CNTL
0130F00068	PRESSURE SWITCH, GRAY (M2, M4)
0130F00069	PRESSURE SWITCH, OLIVE (M1, M3, M5)
20197311	PRESSURE SWITCH-LIME (M6)
20162907	PRIMARY LIMIT (M6)
20162903	PRIMARY LIMIT - BLUE (M4, M5)
0130F00038	PRIMARY LIMIT - LT BLUE 120°
20162904	PRIMARY LIMIT-TEMPERATURE CONTROL (M1, M2, M3)
0130F00008	SINI IGNITOR
0151M00028	VALVE,GAS(HW)VR92

## SPECIAL PARTS

0161M00003P AMANA NAMEPLATE

Expanded Model Nomenclature

M1 - ACSH960453BXAA
M2 - ACSH960703BXAA
M3 - ACSH960704CXAA
M4 - ACSH960904CXAA
M5 - ACSH960905DXAA
M6 - ACSH961155DXAA

# Cabinet

Image 1

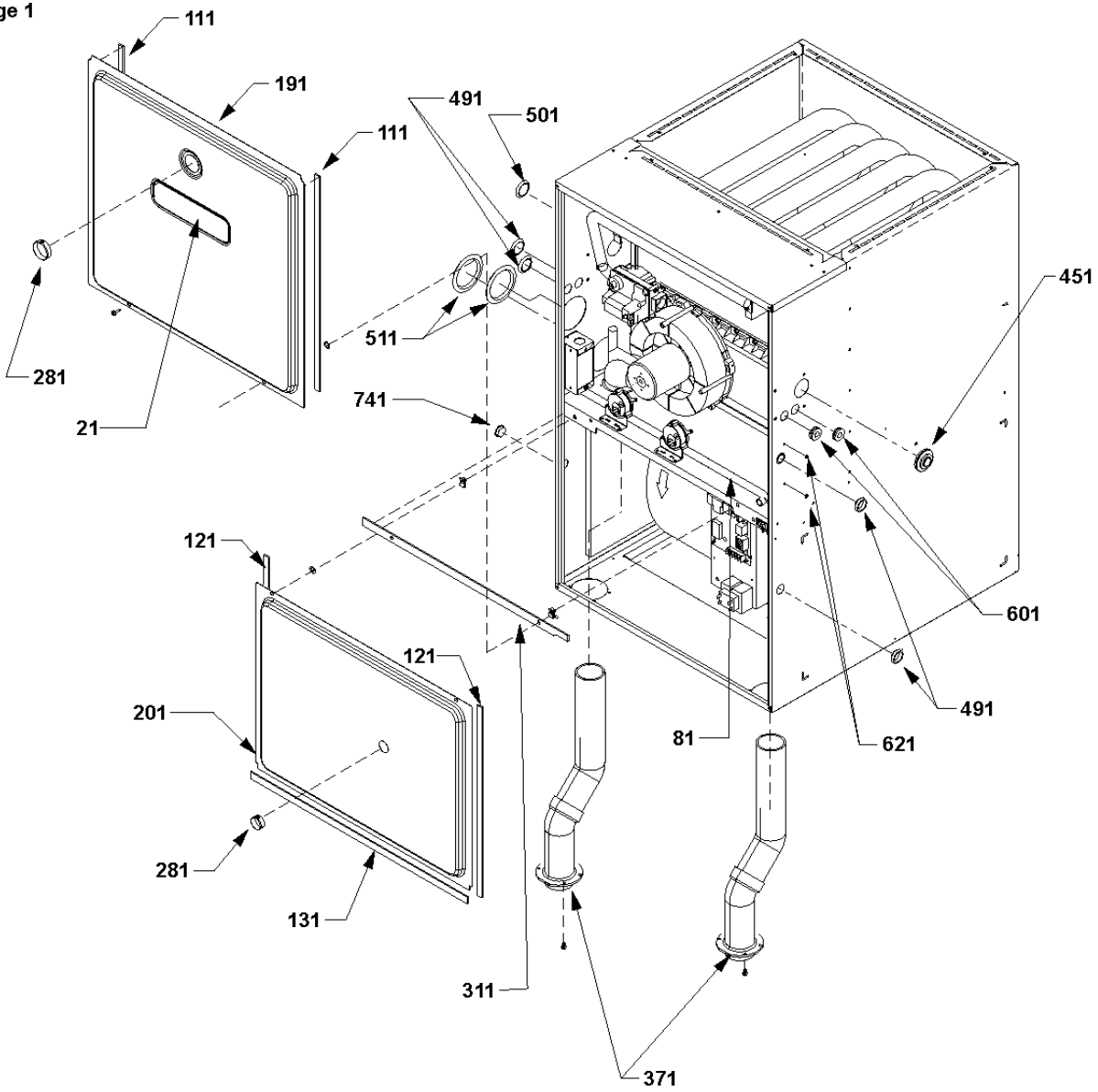
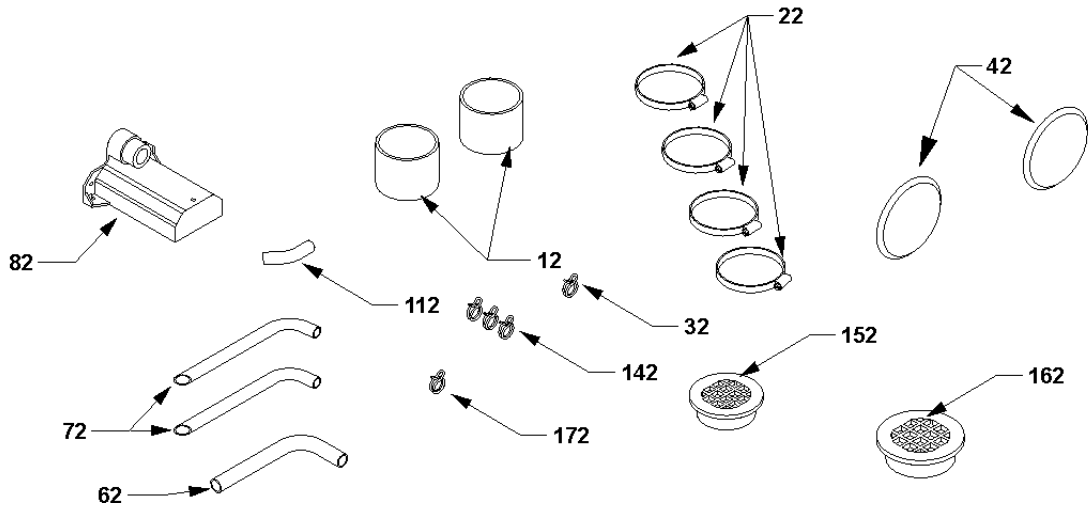


Image 2



# Cabinet

Ref. Part No:	Ref. Part No:	Description:	Description:
---------------	---------------	--------------	--------------

*Image 1:*

21	0161M00003P	AMANA NAMEPLATE
81	20201902	DRAIN HOSE
111	20179308	GASKET (QTY 2)
121	20179311	GASKET (QTY 2)
131	20179311	GASKET (M1, M2)
131	20179312	GASKET (M3, M4)
131	20179313	GASKET (M5, M6)
191	0121F00066LG	ACCESS DOOR (M1, M2)
191	0121F00067LG	ACCESS DOOR (M3, M4)
191	0121F00068LG	ACCESS DOOR (M5, M6)
201	0121F00063LG	BLOWER DOOR (M1, M2)
201	0121F00064LG	BLOWER DOOR (M3, M4)
201	0121F00065LG	BLOWER DOOR (M5, M6)
281	B1392139	VIEW PORT BUSHING-BLOWER DOOR (QTY 2)
311	22320001	DECK GASKET (M1, M2)
311	22320002	DECK GASKET (M3, M4)
311	22320003	DECK GASKET (M5, M6)
371	22309502	FLUE PIPE (QTY 2)
451	M0501301	PIPE GROMMET
491	M0570808	BUTTON PLUG (QTY 4)
501	M0570806	BUTTON PLUG
511	M0570807	BUTTON PLUG (QTY 2)
601	A4691701	GROMMET (QTY 2)
621	M0310345	BUTTON PLUG (QTY 2)
741	B1392104	UNIVERSAL BUSHING UB 875
NS	10195518	STANDPIPE BAG ASSY

*Image 2:*

12	10254303	RUBBER COUPLING (QTY 2)
22	0163M00049	HOSE CLAMP (QTY 4)
32	M0119207	HOSE CLAMP
42	M0570807	BUTTON PLUG (QTY 2)
62	20201901	DRAIN HOSE
72	20201802	DRAIN TUBE (QTY 2)
82	20171701	DRAIN TRAP
112	20214203	DRAIN ANGLE
142	M0119205	HOSE CLAMP (QTY 3)
152	B2810816	2" MESH INSERT
162	B2810814	3" MESH INSERT
172	M0119206	HOSE CLAMP

Expanded Model Nomenclature

- |                     |
|---------------------|
| M1 - ACSH960453BXAA |
| M2 - ACSH960703BXAA |
| M3 - ACSH960704CXAA |
| M4 - ACSH960904CXAA |
| M5 - ACSH960905DXAA |
| M6 - ACSH961155DXAA |

# Blower Assembly

Image 1

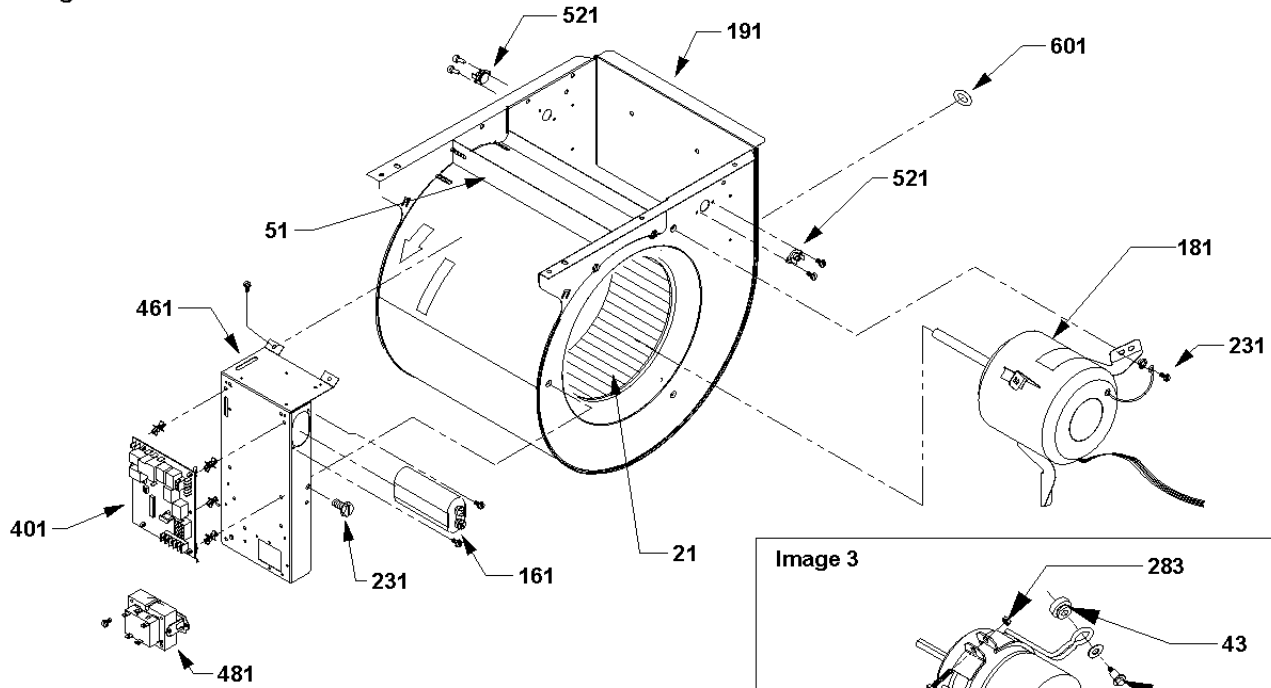


Image 3

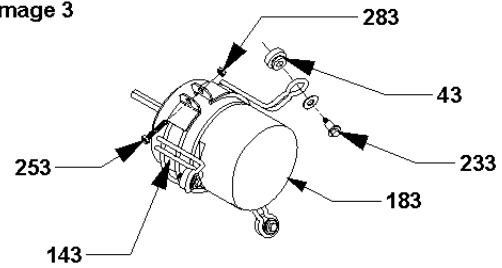
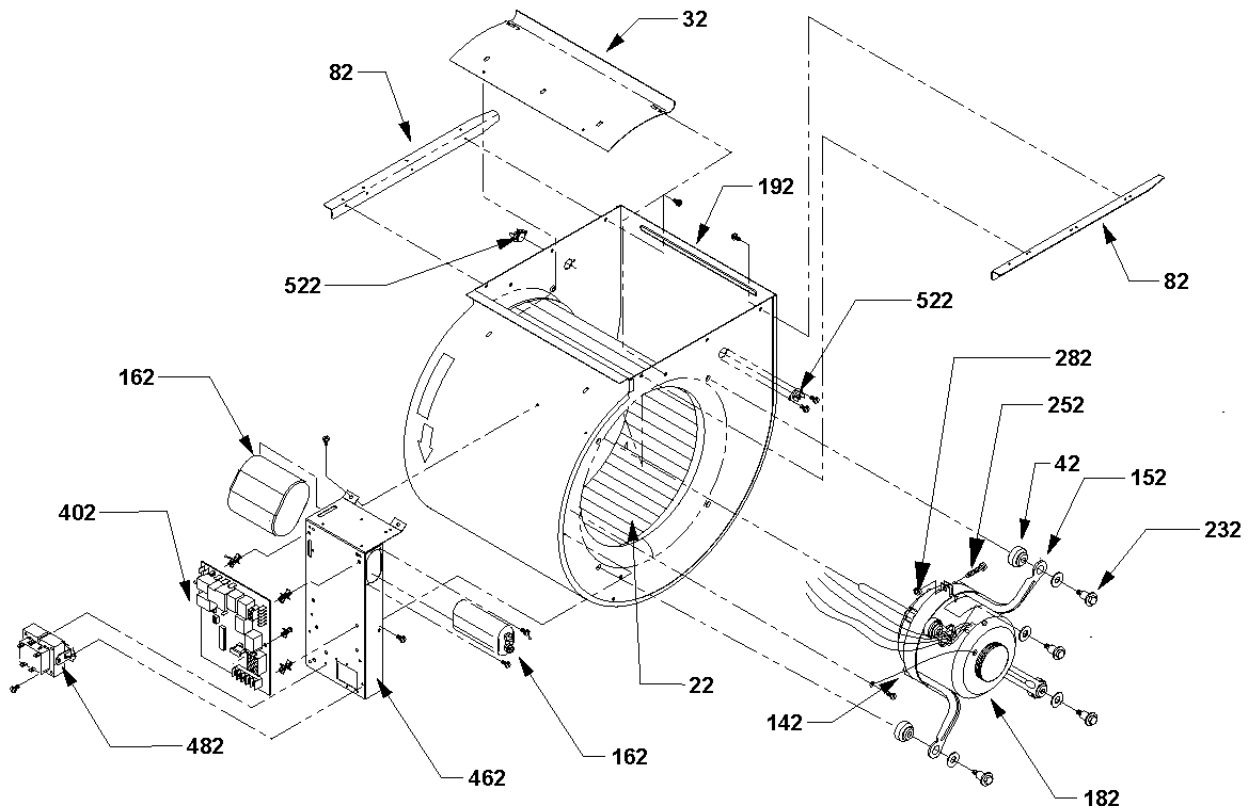


Image 2



# Blower Assembly

Ref. Part No:	Part No:	Description:	Ref. Part No:	Part No:	Description:
---------------	----------	--------------	---------------	----------	--------------

*Image 1:*

21	B1368047	BLOWER WHEEL 10 X 10 (M3, M4)
21	B1368058	BLOWER WHEEL 10 X 8 (M1, M2)
51	764741F	BLOWER BLOCK-OFF 10 X 10 (M3, M4)
51	764740	BLOWER BLOCK-OFF 10 X 8 (M1, M2)
161	CAP125000370VA	CAPACITOR 12.5/370V (M1, M2)
161	CAP150000370VA	CAPACITOR 15/370V (M4)
161	CAP200000370VA	CAPACITOR 20/370V (M3)
181	0131F00022	BLOWER MOTOR 1/2 HP, 4 SP, 6 PL (M3)
181	0131F00020	BLOWER MOTOR 1/3 HP, 4 SP, 6 PL (M1, M2)
191	0271F00004P	BLOWER HOUSING ASSY 10 X 10 (M3, M4)
191	0271F00001P	BLOWER HOUSING ASSY 10 X 8 (M1, M2)
231	M0250558	TC SCREW (M1, M2, M3)
401	PCBBF132	PCB 2STAGE HYBRID FURNACE CNTL (M1, M2, M3, M4)
461	0121F00025P	CONTROL BRACKET (M1, M2, M3, M4)
481	0130M00140	TRANSFORMER 120V TO 24V, 40 VA (M1, M2, M3, M4)
521	0130F00038	PRIMARY LIMIT - LT BLUE 120° (M1, M2, M3, M4)
601	B1392021	PLASTIC PLUG, 1" (2713-BLK) (M1, M2, M3, M4)
NS	0259F00024	WIRE HARNESS-BLOWER

*Image 2:*

22	D6723311	BLOWER WHEEL (M5, M6)
32	C6121807	BLOWER CUT-OFF (M5, M6)
42	A4002702	BLOWER MOTOR GROMMET (M5, M6)
82	20175101	BLOWER SIDE RAIL (M5, M6)
142	10441601	MOTOR MOUNT BAND (M5, M6)
152	10441501	MOTOR MOUNT ARM (M5, M6)
162	CAP150000370VA	CAPACITOR 15/370V (M5, M6)
182	10759415	BLOWER MOTOR 3/4 HP, 4 SP, 8 PL (M5, M6)
192	0271F00047	BLOWER HOUSING ASSY 11 X 10 (M5, M6)
232	M0221461	TC SCREW (M5, M6)
252	M0267144	MACHINE SCREW (M5, M6)
282	M0282015	KEPS NUT (M5, M6)
402	PCBBF132	PCB 2STAGE HYBRID FURNACE CNTL (M5, M6)
462	0121F00025P	CONTROL BRACKET (M5, M6)
482	0130M00140	TRANSFORMER 120V TO 24V, 40 VA (M5, M6)
522	0130F00038	PRIMARY LIMIT - LT BLUE 120° (M5, M6)
NS	0259F00024	WIRE HARNESS-BLOWER

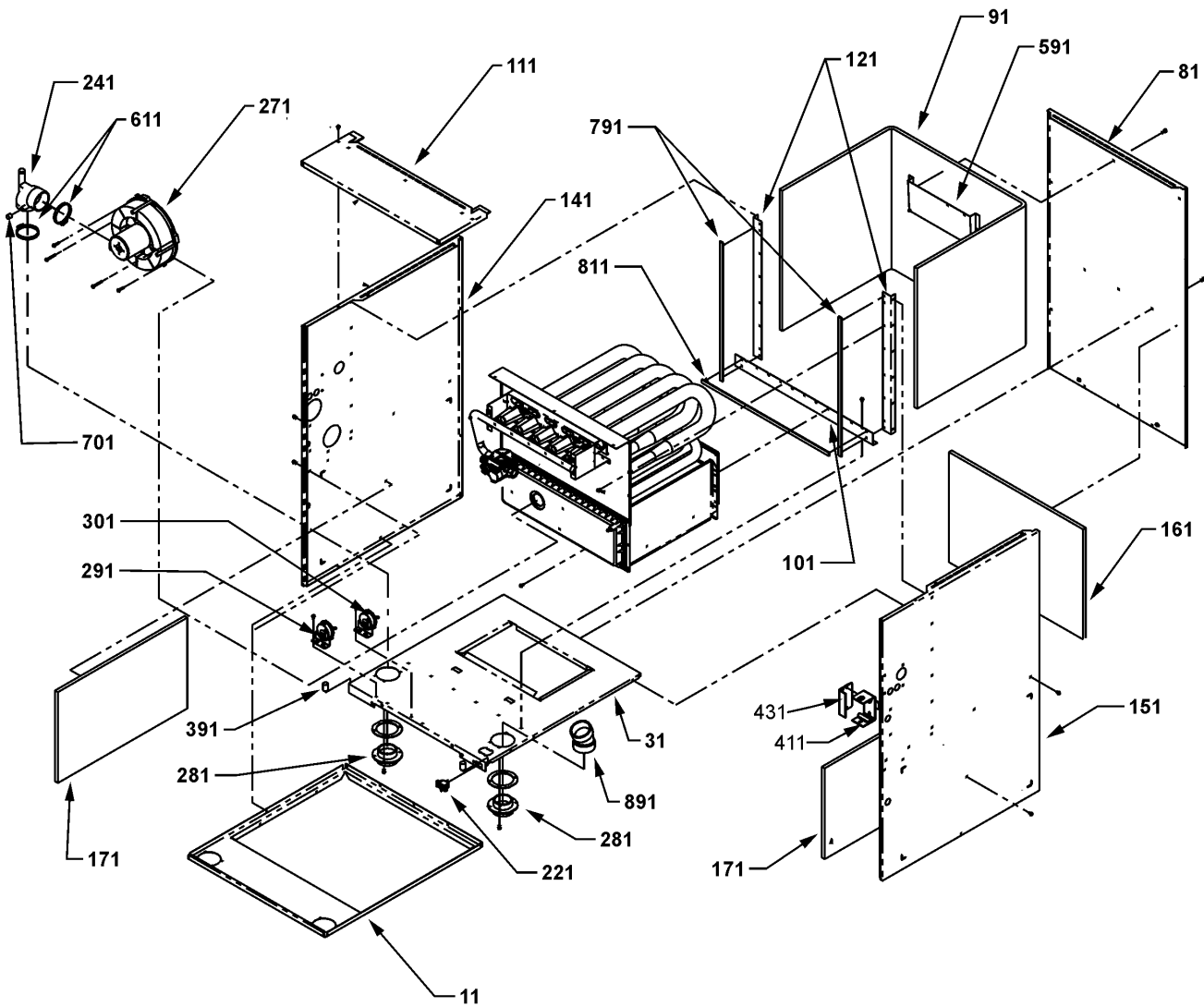
*Image 3:*

43	B1392918	WASHER, FLAT 1/4 ID X 1 OD (M4)
143	B1376857	MOTOR MOUNT ARM (M4)
183	10759415	BLOWER MOTOR 3/4 HP, 4 SP, 8 PL (M4)
233	M0250565	TC SCREW 1.25" (M4)
253	B1393323	MACHINE SCREW HWH 1/4-20 X 1-1/2 BZ (M4)
283	B1393800	LOCKNUT, NYLON, INSERT 1/4, 20 (M4)

Expanded Model Nomenclature

- |                     |
|---------------------|
| M1 - ACSH960453BXAA |
| M2 - ACSH960703BXAA |
| M3 - ACSH960704CXAA |
| M4 - ACSH960904CXAA |
| M5 - ACSH960905DXAA |
| M6 - ACSH961155DXAA |

# Chassis





# Chassis

**Ref. Part  
No: No:**

**Description:**

**Ref. Part  
No: No:**

**Description:**

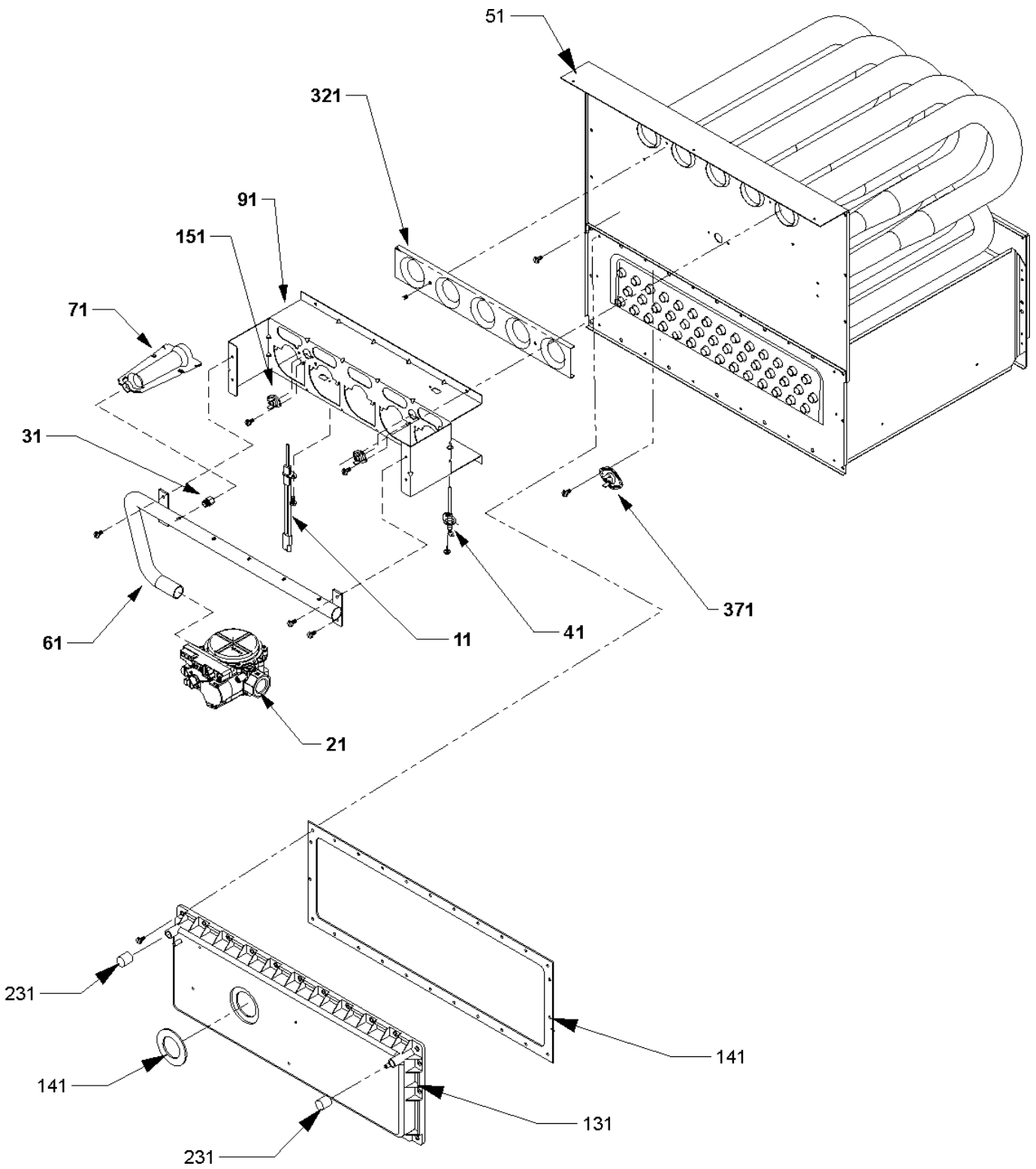
*Image 1:*

11	20273508	BASE PAN (M1, M2)
11	20273510	BASE PAN (M3, M4)
11	20273512	BASE PAN (M5, M6)
31	0121F00044	BLOWER DECK (M1, M2)
31	0121F00046	BLOWER DECK (M3, M4)
31	0121F00049	BLOWER DECK (M5, M6)
81	20273214	BACK PANEL (M1, M2)
81	20273216	BACK PANEL (M3, M4)
81	20273218	BACK PANEL (M5, M6)
91	C6415909	HEAT EXCHANGER INSULATION (M5, M6)
91	C6415910	HEAT EXCHANGER INSULATION (M1, M2)
91	C6415911	HEAT EXCHANGER INSULATION (M3, M4)
101	0121F00018P	DECK RAIL (M1, M2)
101	0121F00019P	DECK RAIL (M3, M4)
101	20191303	DECK RAIL (M5, M6)
111	0270F00103P	TOP COVER ASSY (M1, M2)
111	0270F00104P	TOP COVER ASSY (M3, M4)
111	0270F00105P	TOP COVER ASSY (M5, M6)
121	20191602	SIDE RAIL (M1, M2)
121	20191603	SIDE RAIL (M3, M4)
121	20191604	SIDE RAIL (M5, M6)
141	0121F00093DG	PANEL-SIDE LH CF PNT
151	0121F00091DG	SIDE PANEL RH
161	20006601	INSULATION (M1, M2)
161	20006602	INSULATION (M3, M4)
161	20006603	INSULATION (M5, M6)
171	20006604	SIDE INSULATION (QTY 2)
221	B1370818	INTERLOCK SWITCH
241	20171802	ELBOW
271	0171M00000	ID BLOWER
281	20049701	FA COUPLING (QTY 2)
291	0130F00070	PRESSURE SWITCH
301	0130F00068	PRESSURE SWITCH, GRAY (M2, M4)
301	0130F00069	PRESSURE SWITCH, OLIVE (M1, M3, M5)
301	20197311	PRESSURE SWITCH-LIME (M6)
391	M0275521	PLASTIC SEALER
411	0161F00012	JUNCTION BOX
431	0161F00013	JUNCTION BOX COVER
591	11165107	ID BLOWER SHIELD
611	0163M00049	HOSE CLAMP (QTY 4)
701	M0326804	TUBE PLUG
791	20194608	GASKET (QTY 2)
811	20194605	GASKET (M1, M2)
811	20194606	GASKET (M3, M4)
811	20194607	GASKET (M5, M6)
891	C6455901	ELBOW-22 1/2 ELL
NS	0159F00010	HARNESS-WIRING
NS	0164M00002	PRESSURE SWITCH HOSE
NS	0164M00008	PRESSURE SWITCH HOSE (M1, M2)
NS	0164M00009	PRESSURE SWITCH HOSE (M3, M4, M5, M6)
NS	0164M00010	PRESSURE SWITCH HOSE (M1, M2, M3, M4)
NS	0164M00012	PRESSURE SWITCH HOSE (M5, M6)

Expanded Model Nomenclature

M1 - ACSH960453BXAA
M2 - ACSH960703BXAA
M3 - ACSH960704CXAA
M4 - ACSH960904CXAA
M5 - ACSH960905DXAA
M6 - ACSH961155DXAA

# Heat Exchanger / Manifold / Gas Valve



# Heat Exchanger / Manifold / Gas Valve

Ref. Part No:	Part No:	Description:	Ref. Part No:	Part No:	Description:
---------------	----------	--------------	---------------	----------	--------------

Image 1:

11	0130F00008	SINI IGNITOR
21	0151M00028	VALVE,GAS(HW)VR92
31	10716003	ORIFICE (QTY A/R)
41	0130F00010	FLAME SENSOR
51	0257F00326	HEAT EXCHANGER ASSY (M1)
51	0257F00327	HEAT EXCHANGER ASSY (M2)
51	0257F00328	HEAT EXCHANGER ASSY (M3)
51	0257F00329	HEAT EXCHANGER ASSY (M4)
51	0257F00330	HEAT EXCHANGER ASSY (M5)
51	0257F00331	HEAT EXCHANGER ASSY (M6)
61	20196401	MANIFOLD - 2 BRNR (M1)
61	20196402	MANIFOLD - 3 BRNR (M2, M3)
61	20196403	MANIFOLD - 4 BRNR (M4, M5)
61	20196404	MANIFOLD - 5 BRNR (M6)
71	10735102	BECKETT BURNER (QTY A/R)
91	20190410	BURNER BRACKET 2B (M1)
91	20190411	BURNER BRACKET 3B (M2, M3)
91	20190412	BURNER BRACKET 4B (M4, M5)
91	20190413	BURNER BRACKET 5B (M6)
131	20170804A	FRONT COVER (M1)
131	20170806A	FRONT COVER (M2)
131	20170905A	FRONT COVER (M3)
131	20170906A	FRONT COVER (M4)
131	20171002A	FRONT COVER (M6)
131	20171005A	FRONT COVER (M5)
141	0154F00000P	COIL GASKET (M1, M2)
141	0154F00001P	COIL GASKET (M3, M4)
141	0154F00002P	COIL GASKET (M5, M6)
151	10123517	MANUAL RESET LIMIT (M1, M2, M3, M5, M6)
151	10123534	MANUAL RESET LIMIT 220°F (M4)
231	A1781105	CAP-VINYL .500 (QTY 2)
321	11072201	ORIFICE SHIELD (M1)
321	11072202	ORIFICE SHIELD (M2, M3)
321	11072203	ORIFICE SHIELD (M4, M5)
321	11072204	ORIFICE SHIELD (M6)
371	20162907	PRIMARY LIMIT (M6)
371	20162903	PRIMARY LIMIT - BLUE (M4, M5)
371	20162904	PRIMARY LIMIT-TEMPERATURE CONTROL (M1, M2, M3)

Expanded Model Nomenclature

- |                     |
|---------------------|
| M1 - ACSH960453BXAA |
| M2 - ACSH960703BXAA |
| M3 - ACSH960704CXAA |
| M4 - ACSH960904CXAA |
| M5 - ACSH960905DXAA |
| M6 - ACSH961155DXAA |