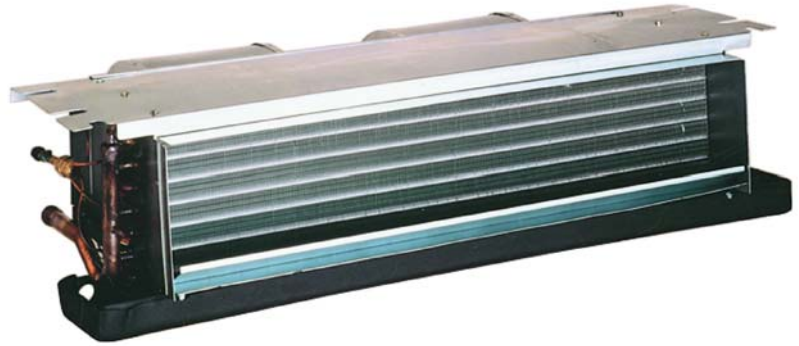


REPAIR PARTS

ACNF Horizontal Fan Coil

ACNF180016DB
ACNF180516DB
ACNF180516DC
ACNF180616DB
ACNF180616DC
ACNF180816DB
ACNF180816DC
ACNF240016DB
ACNF240516DB
ACNF240516DC
ACNF240616DB
ACNF240616DC
ACNF240816DB
ACNF240816DC
ACNF241016DB
ACNF241016DC
ACNF300016DB
ACNF300516DB
ACNF300516DC
ACNF300616DB
ACNF300616DC
ACNF300816DB
ACNF300816DC
ACNF301016DB
ACNF301016DC



This manual is to be used by qualified technicians only.

This manual replaces RP-4009.

© 2015 Goodman Manufacturing Company, L.P. ♦ 5151 San Felipe St., Suite 500 ♦ Houston, TX 77056

Important Information

Index

Functional Parts List	3
Illustration and Parts	4 - 9

Views shown are for parts illustrations only, not servicing procedures

Text Codes:

AR - As Required

NA - Not Available

NS - Not Shown

00000000 - See Note

QTY - Quantity Example (QTY 3) (If Quantity not shown, Quantity = 1)

M - Model Example (M1) (If M Code not shown, then part is used on all Models)

Expanded Model Nomenclature:

Example M1 - Model#1 M2 - Model#2 M3 - Model#3

Goodman Manufacturing Company, L.P. is not responsible for personal injury or property damage resulting from improper service. Review all service information before beginning repairs.

Warranty service must be performed by an authorized technician, using authorized factory parts. If service is required after the warranty expires, Goodman Manufacturing Company, L.P. also recommends contacting an authorized technician and using authorized factory parts.

Goodman Manufacturing Company, L.P. reserves the right to discontinue, or change at any time, specifications or designs without notice or without incurring obligations.

For assistance within the U.S.A. contact:
Consumer Affairs Department
Goodman Manufacturing Company, L.P.
7401 Security Way
Houston, Texas 77040
877-254-4729-Telephone
713-863-2382-Facsimile

For assistance outside the U.S.A. contact:
International Division
Goodman Manufacturing Company, L.P.
7401 Security Way
Houston, Texas 77040
713-861-2500-Telephone
713-863-2382-Facsimile

Functional Parts

Part

No: **Description:**

BT1340015	BLOWER MOTOR 1/4 HP, 2 SP, 4 PL (M8, M9, M10, M11, M12, M13, M14, M15, M16, M17, M18, M19, M20, M21, M22, M23, M24,
BT1340014	BLOWER MOTOR 1/8 HP, 2 SP, 4 PL (M1, M2, M3, M4, M5, M6, M7)
CAP050000370LA	CAPACITOR 5/370V
CONT2P040024V	CONTACTOR 40 AMP, 2P, 24V (M2, M3, M4, M5, M6, M7, M9, M10, M11, M12, M13, M14, M15, M16, M18, M19, M20, M21, M22, M23, M24, M25)
PCBFM103	ELECTRONIC BLOWER TIME DELAY
0175A00000	HEAT ELEMENT 4.8 KW (M2, M3, M9, M10, M18, M19)
0175A00001	HEAT ELEMENT 6.0 KW (M4, M5, M11, M12, M20, M21)
0175A00002	HEAT ELEMENT 7.3 KW (M6, M7, M13, M14, M22, M23)
0175A00003	HEAT ELEMENT 9.8 KW (M15, M16, M24, M25)
0130M00138	TRANSFORMER 208/230, 24V

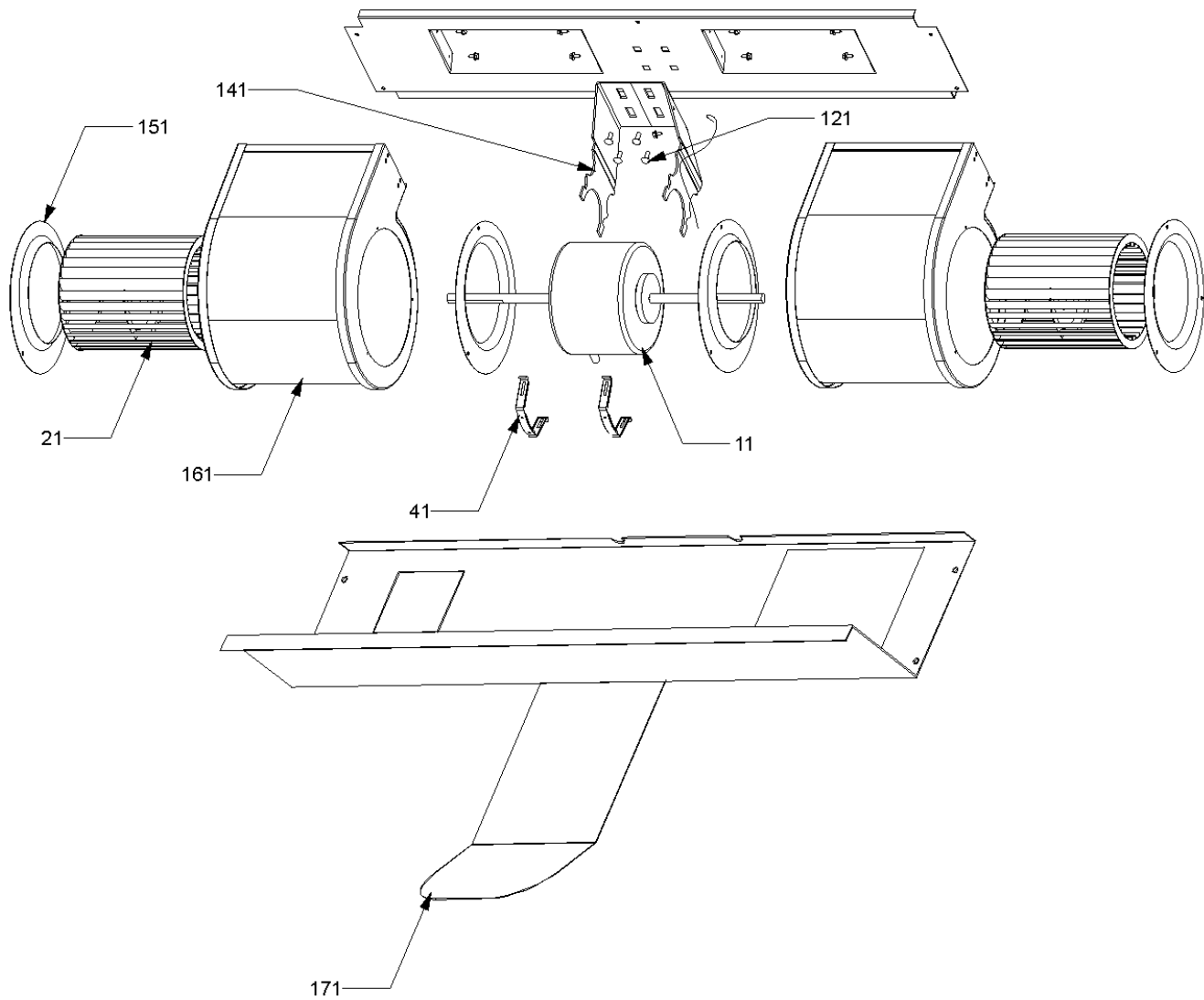
SPECIAL PARTS

PKCG-4001J PISTON KIT CHART

Expanded Model Nomenclature

M1 - ACNF180016DB
M2 - ACNF180516DB
M3 - ACNF180516DC
M4 - ACNF180616DB
M5 - ACNF180616DC
M6 - ACNF180816DB
M7 - ACNF180816DC
M8 - ACNF240016DB
M9 - ACNF240516DB
M10 - ACNF240516DC
M11 - ACNF240616DB
M12 - ACNF240616DC
M13 - ACNF240816DB
M14 - ACNF240816DC
M15 - ACNF241016DB
M16 - ACNF241016DC
M17 - ACNF300016DB
M18 - ACNF300516DB
M19 - ACNF300516DC
M20 - ACNF300616DB
M21 - ACNF300616DC
M22 - ACNF300816DB
M23 - ACNF300816DC
M24 - ACNF301016DB
M25 - ACNF301016DC

Blower Assembly



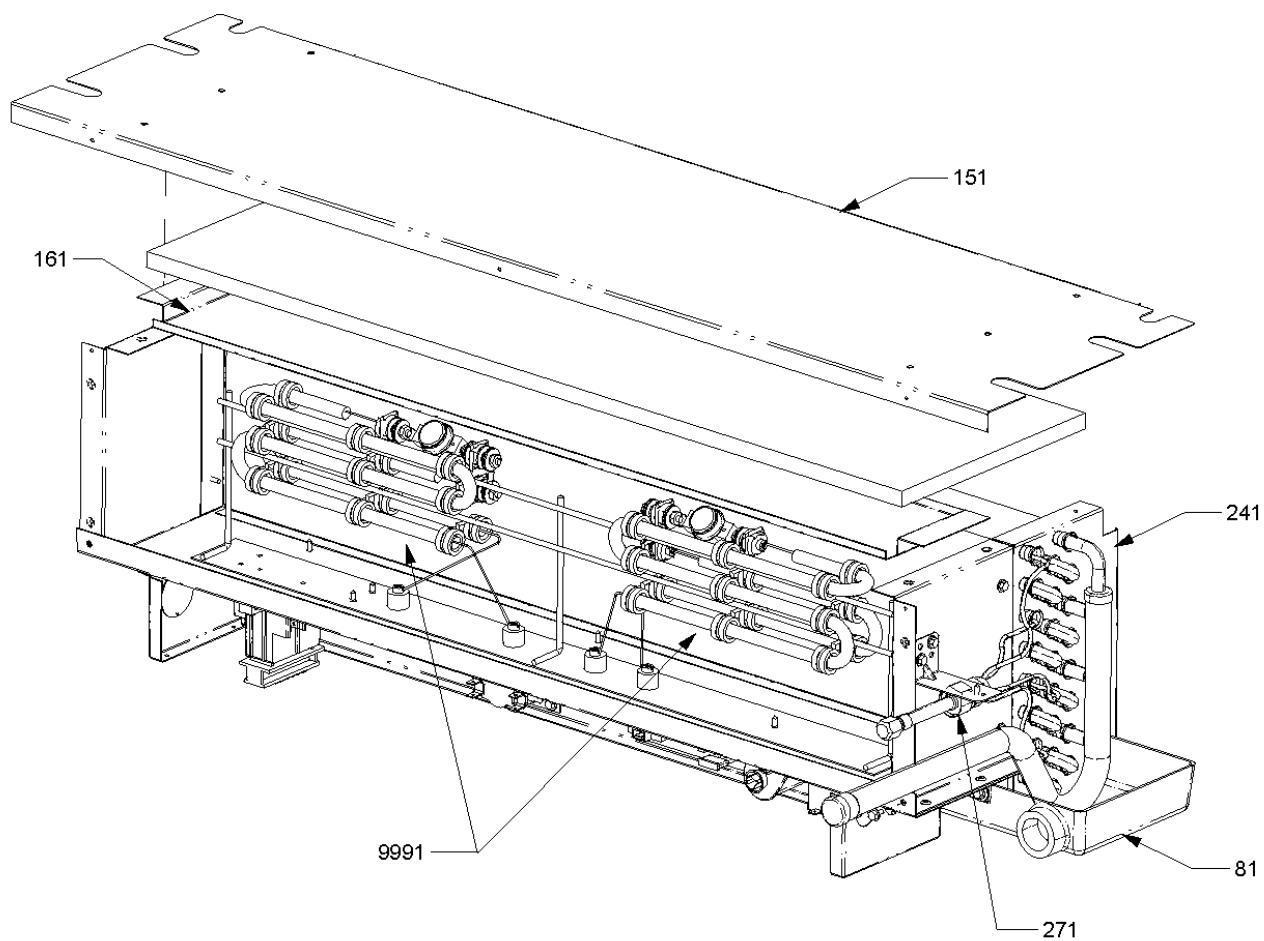
Blower Assembly

Ref. Part No:	No:	Description:	Ref. Part No:	No:	Description:
Image 1:					
11	BT1340015	BLOWER MOTOR 1/4 HP, 2 SP, 4 PL (M8, M9, M10, M11, M12, M13, M14, M15, M16, M17, M18, M19, M20, M21, M22, M23, M24, M25)			
11	BT1340014	BLOWER MOTOR 1/8 HP, 2 SP, 4 PL (M1, M2, M3, M4, M5, M6, M7)			
21	0150M00025	Blower Wheel 5.75 X 6.50 (M1, M2, M3, M4, M5, M6, M7)			
21	0150M00026	Blower Wheel 6.30 X 8.06 (M8, M9, M10, M11, M12, M13, M14, M15, M16)			
21	0150M00027	Blower Wheel 6.70 X 8.06 (M17, M18, M19, M20, M21, M22, M23, M24, M25)			
41	BT1392500	MOTOR MOUNT CLAMP (QTY 2)			
121	BT1393706	CARRIAGE BOLT .31 - 18 X .625" (QTY 4)			
141	3616000	MOTOR MOUNT BRACKET			
151	3642000	VENTURI .375" (M1, M2, M3, M4, M5, M6, M7)			
151	3642001	VENTURI 0.5" (M8, M9, M10, M11, M12, M13, M14, M15, M16, M17, M18, M19, M20, M21, M22, M23, M24, M25)			
161	3660200	BLOWER HOUSING (M1, M2, M3, M4, M5, M6, M7)			
161	3660201	BLOWER HOUSING (M8, M9, M10, M11, M12, M13, M14, M15, M16, M17, M18, M19, M20, M21, M22, M23, M24, M25)			
171	3617000	MOTOR SHIELD			

Expanded Model Nomenclature

- M1 - ACNF180016DB
- M2 - ACNF180516DB
- M3 - ACNF180516DC
- M4 - ACNF180616DB
- M5 - ACNF180616DC
- M6 - ACNF180816DB
- M7 - ACNF180816DC
- M8 - ACNF240016DB
- M9 - ACNF240516DB
- M10 - ACNF240516DC
- M11 - ACNF240616DB
- M12 - ACNF240616DC
- M13 - ACNF240816DB
- M14 - ACNF240816DC
- M15 - ACNF241016DB
- M16 - ACNF241016DC
- M17 - ACNF300016DB
- M18 - ACNF300516DB
- M19 - ACNF300516DC
- M20 - ACNF300616DB
- M21 - ACNF300616DC
- M22 - ACNF300816DB
- M23 - ACNF300816DC
- M24 - ACNF301016DB
- M25 - ACNF301016DC

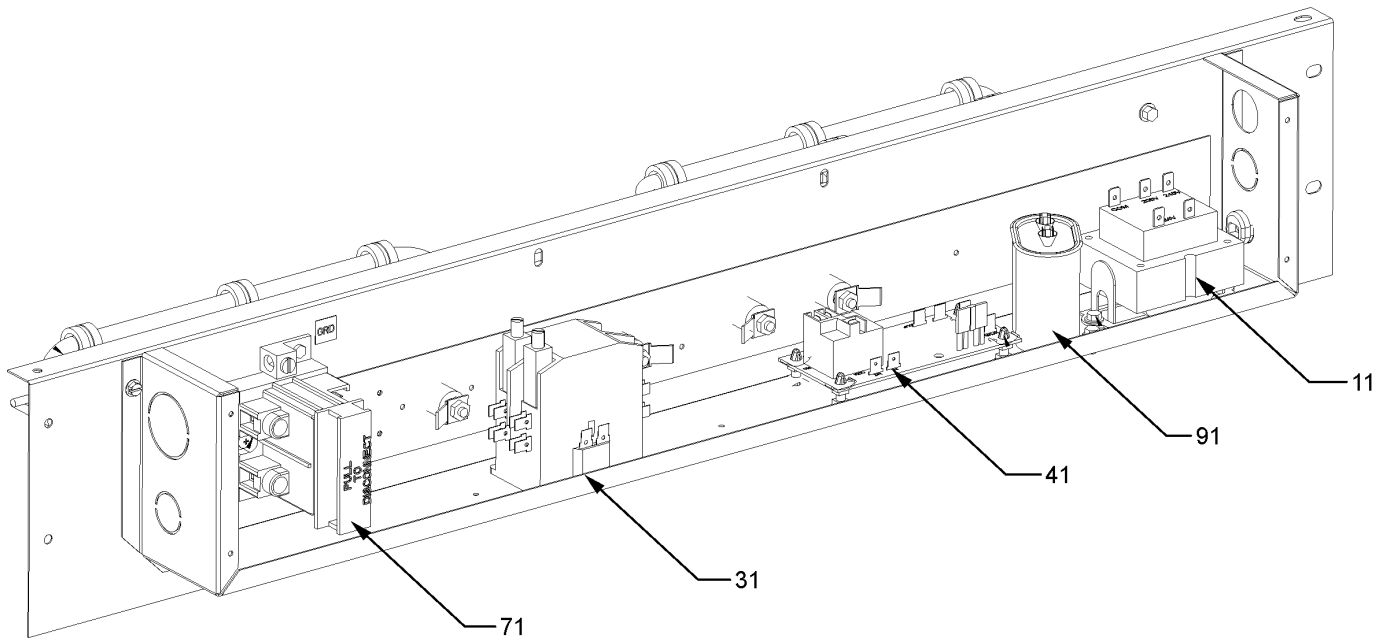
Coil/ Coil Pan/ Heater Assemblies



Coil/ Coil Pan/ Heater Assemblies

Ref. Part No: No:	Description:	Ref. Part No: No:	Description:
<i>Image 1:</i>		Expanded Model Nomenclature	
81	BT3076502DF DRAINPAN, SML, FCA, ACHAC (M1, M2, M3, M4, M5, M6, M7)	M1 -	ACNF180016DB
81	BT3076504DF DRAINPAN, SML, FCA, ACHAC (M17, M18, M19, M20, M21, M22, M23, M24, M25)	M2 -	ACNF180516DB
81	BT3076503DF DRAINPAN, SML, FCA, AHCAC (M8, M9, M10, M11, M12, M13, M14, M15, M16)	M3 -	ACNF180516DC
151	3613000 EVAP TOP PANEL (M1, M2, M3, M4, M5, M6, M7)	M4 -	ACNF180616DB
151	3613001 EVAP TOP PANEL (M8, M9, M10, M11, M12, M13, M14, M15, M16)	M5 -	ACNF180616DC
151	3613002 EVAP TOP PANEL (M17, M18, M19, M20, M21, M22, M23, M24, M25)	M6 -	ACNF180816DB
161	3615000 EVAP COIL BLOCK-OFF (M1, M2, M3, M4, M5, M6, M7)	M7 -	ACNF180816DC
161	3615001 EVAP COIL BLOCK-OFF (M8, M9, M10, M11, M12, M13, M14, M15, M16)	M8 -	ACNF240016DB
161	3615002 EVAP COIL BLOCK-OFF (M17, M18, M19, M20, M21, M22, M23, M24, M25)	M9 -	ACNF240516DB
241	0270A00602 TUBING ASSY, EVAP COIL (M1, M2, M3, M4, M5, M6, M7)	M10 -	ACNF240516DC
241	0270A00610 TUBING ASSY, EVAP COIL (M8, M9, M10, M11, M12, M13, M14, M15, M16)	M11 -	ACNF240616DB
241	0270A00622 TUBING ASSY, EVAP COIL (M17, M18, M19, M20, M21, M22, M23, M24, M25)	M12 -	ACNF240616DC
271	0162A00089 FLOWRATOR (M1, M2, M3, M4, M5, M6, M7)	M13 -	ACNF240816DB
271	0162A00090 FLOWRATOR (M8, M9, M10, M11, M12, M13, M14, M15, M16)	M14 -	ACNF240816DC
271	0162A00091 FLOWRATOR (M17, M18, M19, M20, M21, M22, M23, M24, M25)	M15 -	ACNF241016DB
9991	0175A00000 HEAT ELEMENT 4.8 KW (M2, M3, M9, M10, M18, M19)	M16 -	ACNF241016DC
9991	0175A00001 HEAT ELEMENT 6.0 KW (M4, M5, M11, M12, M20, M21)	M17 -	ACNF300016DB
9991	0175A00002 HEAT ELEMENT 7.3 KW (M6, M7, M13, M14, M22, M23)	M18 -	ACNF300516DB
9991	0175A00003 HEAT ELEMENT 9.8 KW (M15, M16, M24, M25)	M19 -	ACNF300516DC
NS	3631000 DRIP SHIELD, 1.5 & 2 TON (M1, M2, M3, M4, M5, M6, M7)	M20 -	ACNF300616DB
NS	3631001 DRIP SHIELD, 2.5 TON (M8, M9, M10, M11, M12, M13, M14, M15, M16)	M21 -	ACNF300616DC
NS	3631002 DRIP SHIELD, 3 TON (M17, M18, M19, M20, M21, M22, M23, M24, M25)	M22 -	ACNF300816DB
NS	3630005 EVAP SUPPORT ASSY LRG (M17, M18, M19, M20, M21, M22, M23, M24, M25)	M23 -	ACNF300816DC
NS	3630004 EVAP SUPPORT ASSY MED (M8, M9, M10, M11, M12, M13, M14, M15, M16)	M24 -	ACNF301016DB
NS	3630003 EVAP SUPPORT ASSY SML (M1, M2, M3, M4, M5, M6, M7)	M25 -	ACNF301016DC
NS	B1787000 VALVE CORE		

Control Box Assembly



Control Box Assembly

Ref. Part No:	Part No:	Description:	Ref. Part No:	Part No:	Description:
---------------	----------	--------------	---------------	----------	--------------

Image 1:

11	0130M00138	TRANSFORMER 208/230, 24V
31	CONT2P040024V	CONTACTOR 40 AMP, 2P, 24V (M2, M3, M4, M5, M6, M7, M9, M10, M11, M12, M13, M14, M15, M16, M18, M19, M20, M21, M22, M23, M24, M25)
41	PCBFM103	ELECTRONIC BLOWER TIME DELAY
71	0130A00091	DISCONNECT, PULL OUT (M2, M3, M4, M5, M6, M7, M9, M10, M11, M12, M13, M14, M15, M16, M20, M21, M22, M23, M24, M25)
71	BT1753510	DISCONNECT, PULL OUT (M1, M8, M17, M18, M19)
91	CAP050000370LA	CAPACITOR 5/370V

Expanded Model Nomenclature

M1 - ACNF180016DB
M2 - ACNF180516DB
M3 - ACNF180516DC
M4 - ACNF180616DB
M5 - ACNF180616DC
M6 - ACNF180816DB
M7 - ACNF180816DC
M8 - ACNF240016DB
M9 - ACNF240516DB
M10 - ACNF240516DC
M11 - ACNF240616DB
M12 - ACNF240616DC
M13 - ACNF240816DB
M14 - ACNF240816DC
M15 - ACNF241016DB
M16 - ACNF241016DC
M17 - ACNF300016DB
M18 - ACNF300516DB
M19 - ACNF300516DC
M20 - ACNF300616DB
M21 - ACNF300616DC
M22 - ACNF300816DB
M23 - ACNF300816DC
M24 - ACNF301016DB
M25 - ACNF301016DC

SHOWN UPSIDE DOWN FOR CLARITY