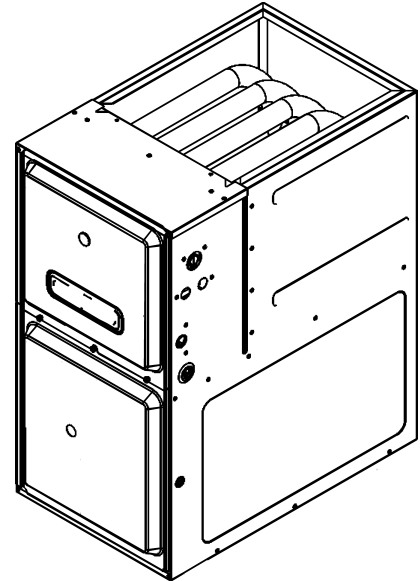


## ACES 96% High Efficient Furnace

ACES960403BNAA  
ACES960603BNAA  
ACES960804CNAA  
ACES961005CNAA  
ACES961205DNAA



Amana® is a registered trademark of Maytag Corporation or its related companies and is used under license. All rights reserved.

This manual is to be used by qualified technicians only.

© 2019 Goodman Company, L.P. ♦ 5151 San Felipe St, Suite 500 ♦ Houston, TX 77056

# Important Information

---

## Index

Functional Parts List .....	3
Illustration and Parts .....	4 - 11

*Views shown are for parts illustrations only, not servicing procedures*

### Text Codes:

AR - As Required

NA - Not Available

NS - Not Shown

00000000 - See Note

QTY - Quantity Example (QTY 3) (If Quantity not shown, Quantity = 1)

M - Model Example (M1) (If M Code not shown, then part is used on all Models)

### Expanded Model Nomenclature:

Example M1 - Model#1 M2 - Model#2 M3 - Model#3
---

Goodman Company, L.P. is not responsible for personal injury or property damage resulting from improper service. Review all service information before beginning repairs.

Warranty service must be performed by an authorized technician, using authorized factory parts. If service is required after the warranty expires, Goodman Company, L.P. also recommends contacting an authorized technician and using authorized factory parts.

Goodman Company, L.P. reserves the right to discontinue, or change at any time, specifications or designs without notice or without incurring obligations.

For assistance within the U.S.A. contact:

Homeowner Support  
Goodman Company, L.P.  
19001 Kermier Road  
Waller, Texas 77484  
877-254-4729-Telephone  
713-863-2382-Facsimile

For assistance outside the U.S.A. contact:

International Division  
Goodman Company, L.P.  
19001 Kermier Road  
Waller, Texas 77484  
713-861-2500-Telephone  
713-863-2382-Facsimile

# Functional Parts

## Part

## No: Description:

---

0130F00038	AUX LIMIT - LT BLUE 120° (QTY 2)
0163F00017	BECKETT BURNER (QTY 2)
0271F00159	BLOWER SHELL & WHEEL ASSY (M1, M2)
0271F00161	BLOWER SHELL & WHEEL ASSY (M3, M4)
0271F00163	BLOWER SHELL & WHEEL ASSY (M5)
PCBBF145	CIRCUIT BOARD
0130F00010	FLAME SENSOR
0151M00037	GAS VALVE
0257F00380	HEAT EXCHANGER ASSY (M1)
0257F00372	HEAT EXCHANGER ASSY (M5)
0257F00364	HEAT EXCHANGER ASSY (M4)
0257F00363	HEAT EXCHANGER ASSY (M3)
0257F00362	HEAT EXCHANGER ASSY (M2)
0130F00008	IGNITOR-SINI 17 SEC
0130F00071	LIMIT SWITCH (M3)
20162903	LIMIT-BLUE (M4)
20162901	LIMIT-RED (M1, M2)
20162906	LIMIT-WHITE (M5)
10123539	MANUAL RESET R.O.S. LIMIT (M4, M5)
10123534	MANUAL RESET R.O.S. LIMIT (M3)
0130F00123	MANUAL RESET R.O.S. LIMIT (M1, M2)
0131F00112	MOTOR X-13, BLOWER 1/2 H.P. (M1, M2)
0131F00114	MOTOR X-13, BLOWER 1H.P. (M4, M5)
0131F00113	MOTOR X-13, BLOWER 3/4 H.P. (M3)
0131F00134	MOTOR, PROGRAM-X13 (M5)
0131F00132	MOTOR, PROGRAM-X13 (M3)
0131F00130	MOTOR, PROGRAM-X13 (M1)
0131F00131	MOTOR, PROGRAM-X13 (M2)
0131F00133	MOTOR, PROGRAM-X13 (M4)
0171M00001	MOTOR-ID, BLOWER
0130M00243	SWITCH, INTERLOCK
0130F00447	SWITCH, PRESSURE (M1)
0130F00439	SWITCH, PRESSURE (M2, M3, M4)
0130F00438	SWITCH, PRESSURE (M5)
0130M00140	TRANSFORMER, 120V TO 24V,40VA

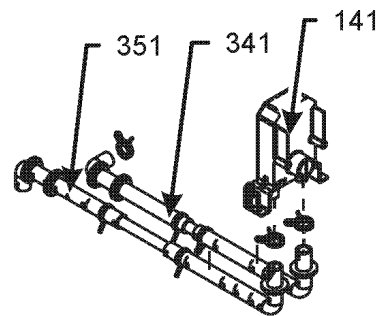
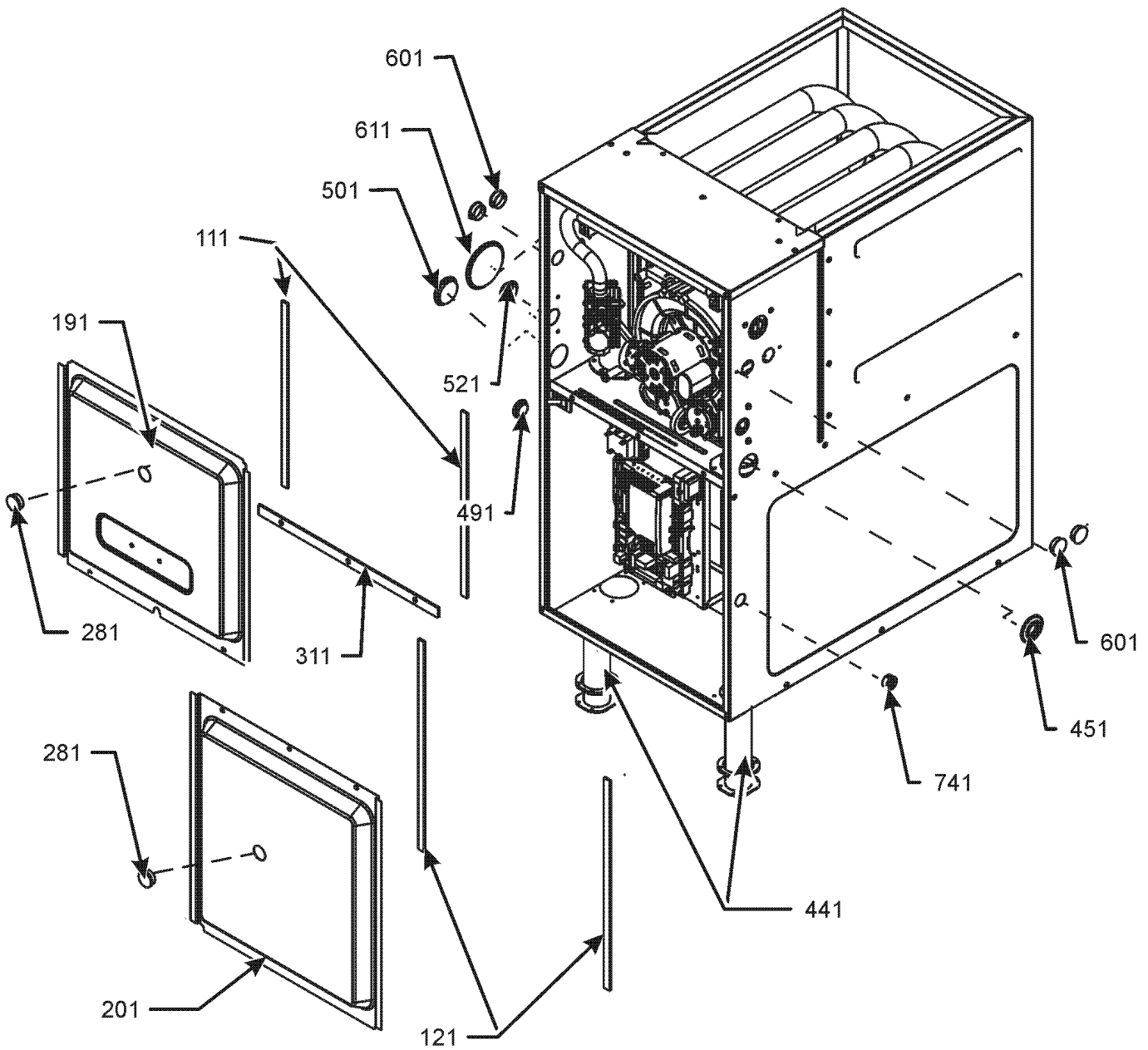
## SPECIAL PARTS

0161M00032 NAMEPLATE, AMANA

## Expanded Model Nomenclature

M1 - ACES960403BNAA
M2 - ACES960603BNAA
M3 - ACES960804CNAA
M4 - ACES961005CNAA
M5 - ACES961205DNAA

# Cabinet Assembly



DRAIN TRAP ASSEMBLY

# Cabinet Assembly

Ref. Part No: No:	Description:	Ref. Part No: No:	Description:
-------------------	--------------	-------------------	--------------

**Image 1:**

111	0154F00024	GASKET (QTY 2)
121	0154F00025	GASKET (QTY 2)
141	0161F00046	DRAIN TRAP
191	0121F00338LG	DOOR ACCESS 21" PNT (M3, M4)
191	0121F00337LG	DOOR, ACCESS 17.5" PNT (M1, M2)
191	0121F00339LG	DOOR, ACCESS 24.5" PNT (M5)
201	0121F00340LG	DOOR, BLOWER 17.5" PNT (M1, M2)
201	0121F00341LG	DOOR, BLOWER 21" PNT (M3, M4)
201	0121F00342LG	DOOR, BLOWER 24.5" PNT (M5)
281	B1392139	VIEW PORT BUSHING (QTY 2)
311	0154F00020	GASKET, DECK (M1, M2)
311	0154F00021	GASKET, DECK (M3, M4)
311	0154F00022	GASKET, DECK (M5)
341	0270F03125	CF DRAIN TUBE ASSY (M1, M2)
341	0270F03515	CF DRAIN TUBE ASSY (M3, M4)
341	0270F03516	CF DRAIN TUBE ASSY (M5)
351	0270F03126	CF DRAIN TUBE ASSY (M3, M4)
351	0270F03127	CF DRAIN TUBE ASSY (M5)
351	0270F03514	CF DRAIN TUBE ASSY (M1, M2)
441	0161F00064	PIPE, STRAIGHT CF (QTY 2)
451	M0501301	PIPE GROMMET
491	M0570808	BUTTON PLUG
501	M0570806	BUTTON PLUG
521	0161M00027	HOLE PLUG
601	B1392021	PLASTIC PLUG, 1" (2713-BLK) (QTY 4)
611	0163M00460	CLAMP-HOSE (QTY 2)
741	B1392104	UNIVERSAL BUSHING UB 875
NS	M0310345	BUTTON PLUG (QTY 2)
NS	M0570807	BUTTON PLUG
NS	M0209730	DECORATIVE SCREW (QTY 3)
NS	0270F04116	DRAIN KIT ASSY CF
NS	0154F00041	GASKET FRESH AIR
NS	0161M00032	NAMEPLATE, AMANA
NS	M0273904	RETAINER-SCREW (QTY 3)

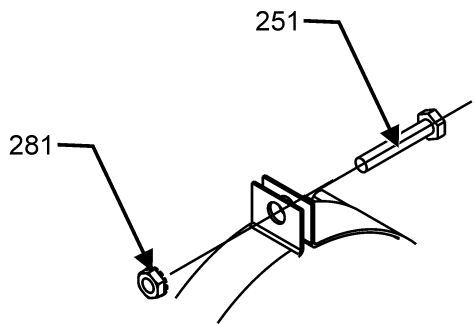
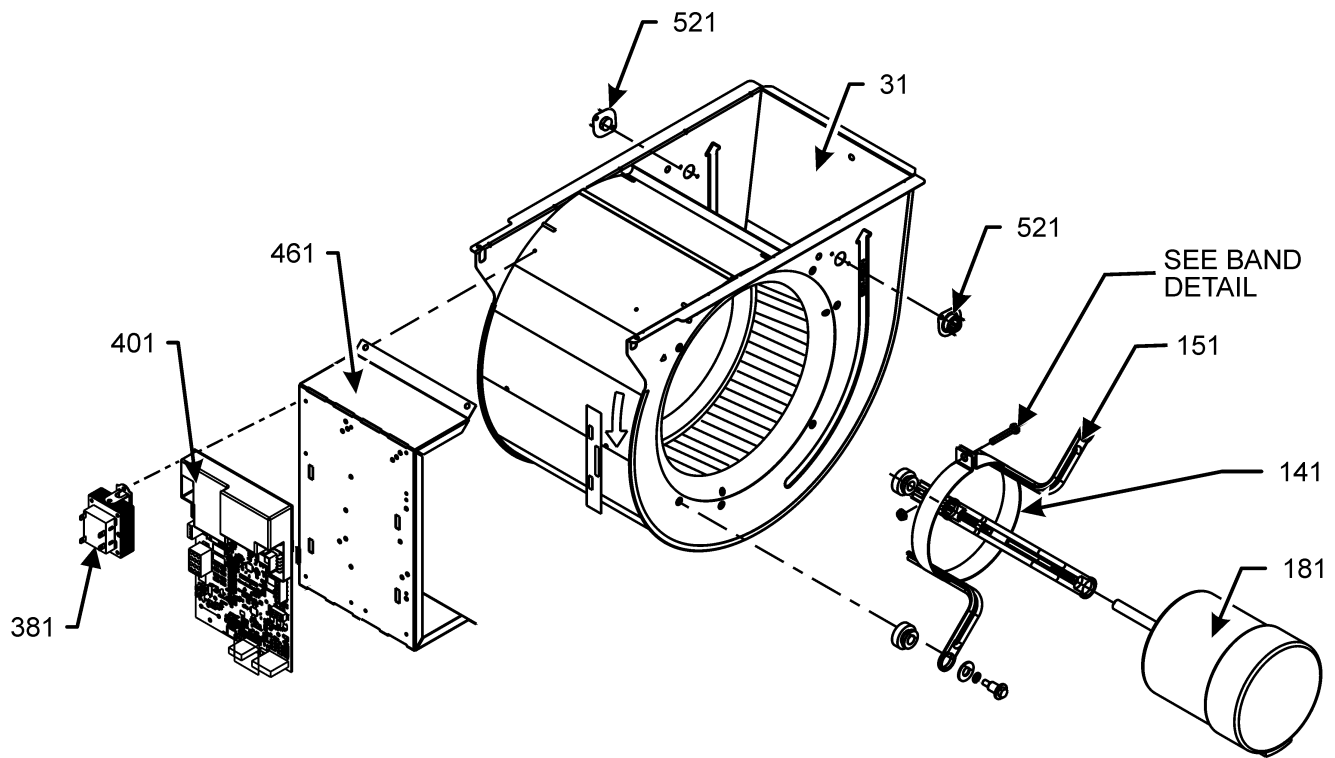
**Expanded Model Nomenclature**

- |                     |
|---------------------|
| M1 - ACES960403BNAA |
| M2 - ACES960603BNAA |
| M3 - ACES960804CNAA |
| M4 - ACES961005CNAA |
| M5 - ACES961205DNAA |

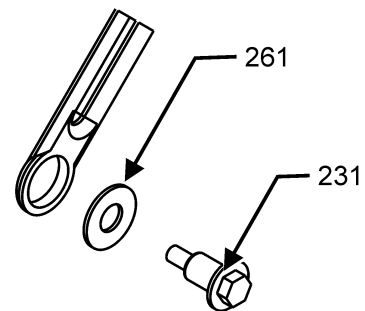
# Blower Assembly

## BLOWER ASSEMBLY

\*If end bells are needed please order the following:  
0131M00182 - 1/2 HP  
0131M00183 - 3/4 HP  
0131M00184 - 1 HP



BAND DETAIL



BLOWER ARM DETAIL

BLOWER ASSEMBLY MAY DIFFER FROM WHAT IS SHOWN

# Blower Assembly

Ref. Part No:	Part No:	Description:	Ref. Part No:	Part No:	Description:
---------------	----------	--------------	---------------	----------	--------------

**Image 1:**

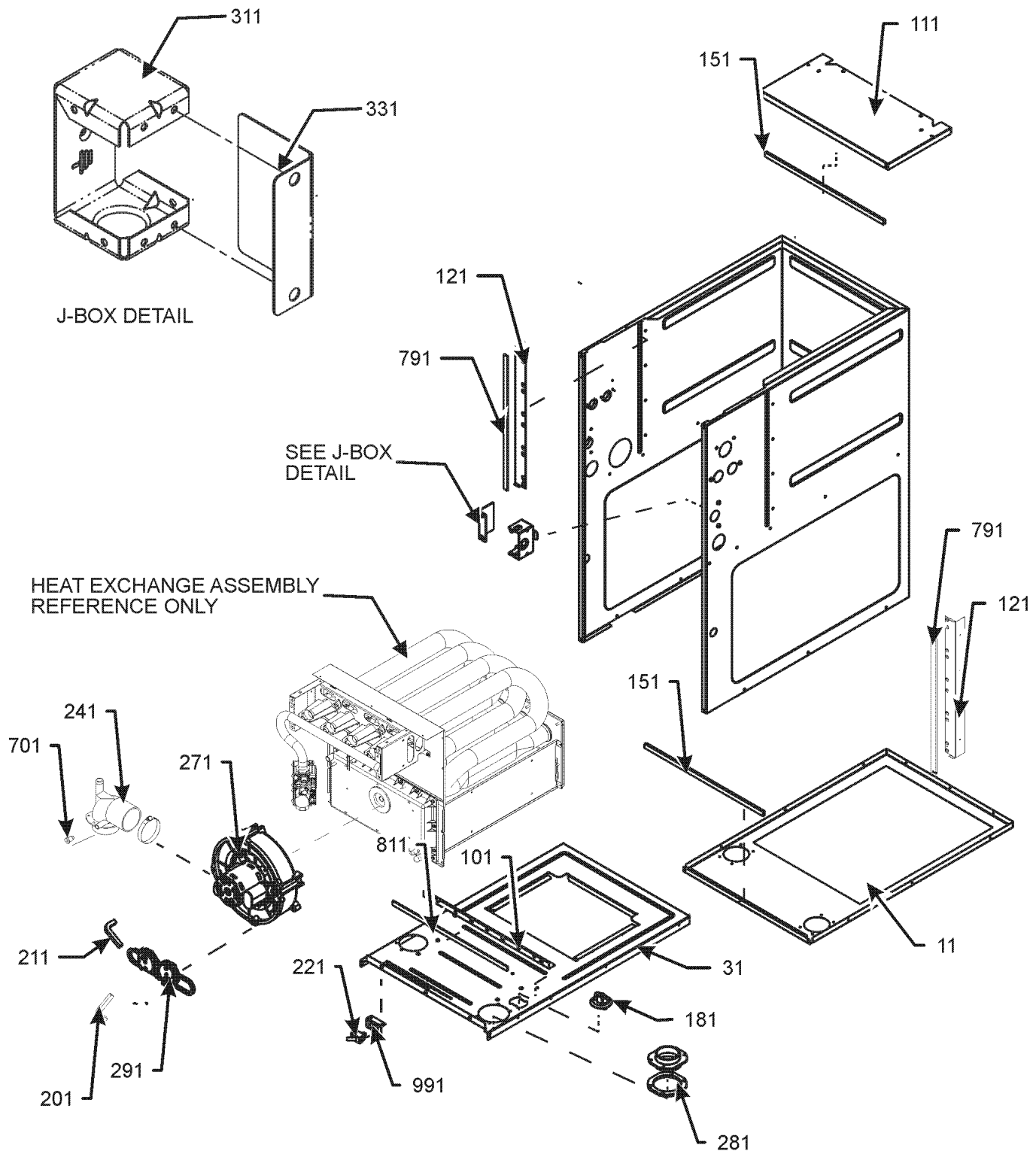
31	0271F00159	BLOWER SHELL & WHEEL ASSY (M1, M2)
31	0271F00161	BLOWER SHELL & WHEEL ASSY (M3, M4)
31	0271F00163	BLOWER SHELL & WHEEL ASSY (M5)
141	0121M00039	MOUNT BAND, MOTOR (HEAVY DUTY)
151	B1376863	MOUNT ARM, MOTOR (HEAVY DUTY) (QTY 3)

231	M0250565	TC SCREW 1.25" (QTY 3)
251	0163M00320	HEX HEAD ALL THREAD TAP BOLT
261	B1392918	FLAT WASHER (QTY 3)
281	B1393800	LOCKNUT, NYLON, INSERT 1/4, 20
381	0130M00140	TRANSFORMER, 120V TO 24V, 40VA CIRCUIT BOARD
401	PCBBF145	BOARD
461	0121F00464	CONTROL MOUNTING PLATE
521	0130F00038	AUX LIMIT - LT BLUE 120° (QTY 2)
NS	B1392021	1" PLASTIC PLUG (QTY 4)
NS	0259F00024	HARNESS - BLOWER
181	0131F00130	MOTOR, PROGRAM-X13 (M1)
181	0131F00131	MOTOR, PROGRAM-X13 (M2)
181	0131F00132	MOTOR, PROGRAM-X13 (M3)
181	0131F00133	MOTOR, PROGRAM-X13 (M4)
181	0131F00134	MOTOR, PROGRAM-X13 (M5)
NS	0159F00076	WIRE HARNESS

**Expanded Model Nomenclature**

- |                     |
|---------------------|
| M1 - ACES960403BNAA |
| M2 - ACES960603BNAA |
| M3 - ACES960804CNAA |
| M4 - ACES961005CNAA |
| M5 - ACES961205DNAA |

# Chassis Assembly





# Chassis Assembly

Ref. Part No:	Part No:	Description:	Ref. Part No:	Part No:	Description:
---------------	----------	--------------	---------------	----------	--------------

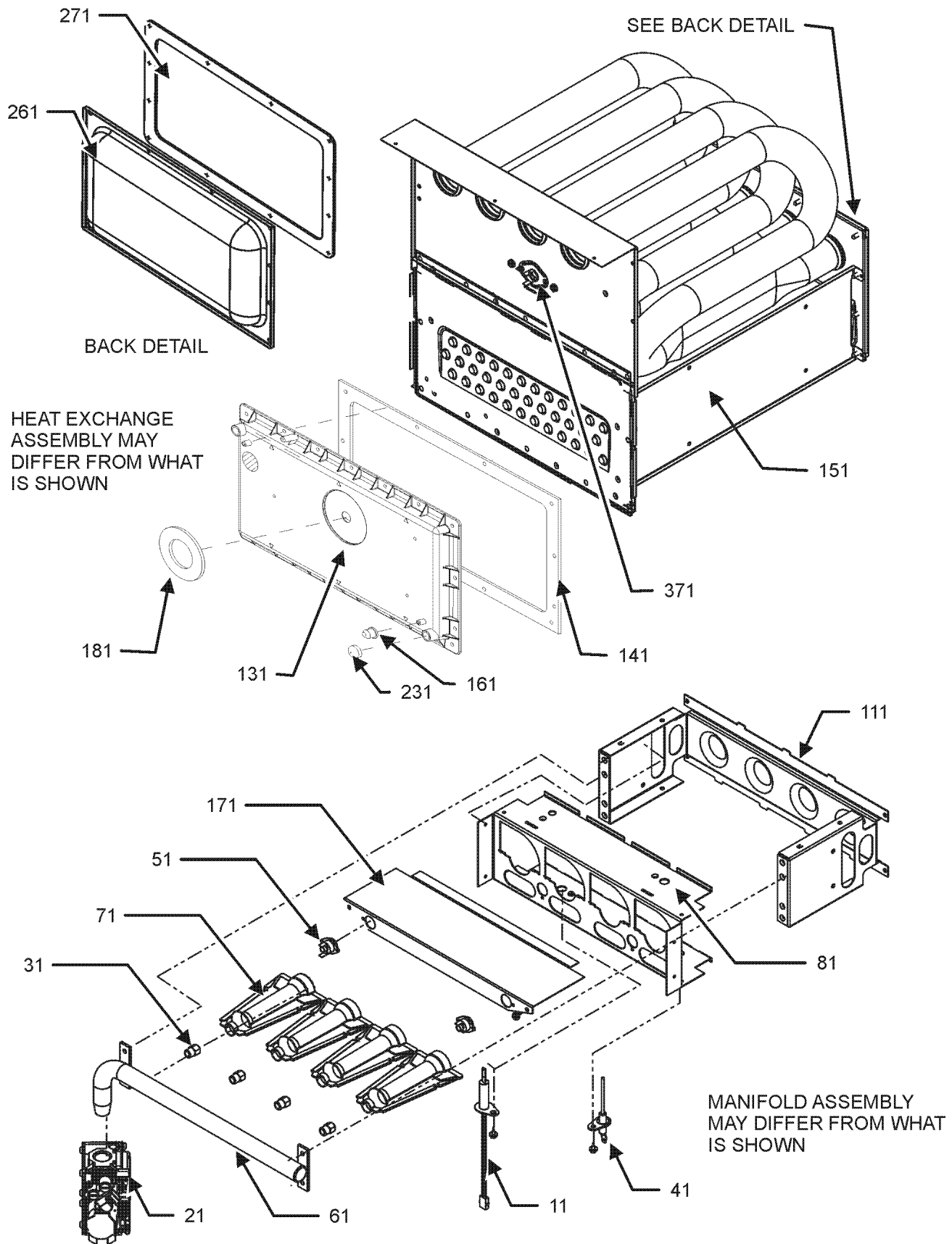
**Image 1:**

11	0121F00548DG	PAINTED BASEPAN, 17.5 CF (M1, M2)
11	0121F00549DG	PAINTED BASEPAN, 21 CF (M3, M4)
11	0121F00550DG	PAINTED BASEPAN, 24.5 CF (M5)
31	0121F00536	DECK-BLOWER 17.5" CF (M1, M2)
31	0121F00537	DECK-BLOWER 21" CF (M3, M4)
31	0121F00538	DECK-BLOWER 24.5" CF (M5)
101	0121F00314	ANGLE, DECK (M1, M2)
101	0121F00315	ANGLE, DECK (M3, M4)
101	0121F00316	ANGLE, DECK (M5)
111	0121F00426DG	TOP, PAINTED FURNACE 17.5" CF (M1, M2)
111	0121F00434DG	TOP, PAINTED FURNACE 21" CF (M3, M4)
111	0121F00442DG	TOP, PAINTED FURNACE 24.5 CF (M5)
121	0121F00313	SIDE ANGLE (QTY 2)
151	20179307	GASKET (M5)
151	20179309	GASKET (M1, M2)
151	20179310	GASKET (M3, M4)
181	0159F00086	HARNES, WIRING
201	0164M00008	HOSE-PRESSURE SW
211	0164M00031	14" PRESSURE SWITCH HOSES (M3, M4)
211	0164M00010	HOSE-PRESSURE SW (M5)
211	0164M00015	HOSE-PRESSURE SWITCH (M1, M2)
221	0130M00243	SWITCH, INTERLOCK
241	0164F00003	ELBOW-FLUE, 17.5" CFLOW (M1, M2)
241	0164F00004	ELBOW-FLUE, 21" CFLOW (M3, M4)
241	0164F00005	ELBOW-FLUE, 24.5" CFLOW (M5)
271	0171M00001	MOTOR-ID, BLOWER
281	0161F00037	COUPLING
291	0130F00438	SWITCH, PRESSURE (M5)
291	0130F00439	SWITCH, PRESSURE (M2, M3, M4)
291	0130F00447	SWITCH, PRESSURE (M1)
311	0161F00042	JUNCTION BOX
331	0161F00043	JUNCTION BOX LID
701	M0326804	TUBE PLUG
791	0154F00015	GASKET (QTY 2)
811	0154F00014	GASKET (M1, M2)
811	0154F00016	GASKET (M3, M4, M5)
991	0121F00389	BRACKET, DOOR SWITCH
NS	0160F00015	INSULATION, HT EXCHANGER 17.5" (M1, M2)
NS	0160F00016	INSULATION, HT EXCHANGER 21" (M3, M4)
NS	0160F00017	INSULATION, HT EXCHANGER 24.5" (M5)

**Expanded Model Nomenclature**

- |                     |
|---------------------|
| M1 - ACES960403BNAA |
| M2 - ACES960603BNAA |
| M3 - ACES960804CNAA |
| M4 - ACES961005CNAA |
| M5 - ACES961205DNAA |

# Heat Exchanger and Manifold Assembly



# Heat Exchanger and Manifold Assembly

Ref. Part No:	Ref. Part No:	Description:	Description:	
<b>Image 1:</b>		<b>Image 1:</b>		
11	0130F00008	IGNITOR-SINI 17 SEC	NS 0121F00439 PRIMARY LIMIT-HEAT SHIELD	
21	0151M00037	GAS VALVE	NS 0121F00355 SHIELD, COIL (QTY 2)	
31	10716005	ORIFICE (QTY 2)	<b>Expanded Model Nomenclature</b>	
41	0130F00010	FLAME SENSOR	M1 - ACES960403BNAA	
51	0130F00123	MANUAL RESET R.O.S. LIMIT (M1, M2)	M2 - ACES960603BNAA	
51	10123534	MANUAL RESET R.O.S. LIMIT (M3)	M3 - ACES960804CNAA	
51	10123539	MANUAL RESET R.O.S. LIMIT (M4, M5)	M4 - ACES961005CNAA	
61	0163F00007	MANIFOLD (M1)	M5 - ACES961205DNAA	
61	0163F00008	MANIFOLD (M2)		
61	0163F00009	MANIFOLD (M3)		
61	0163F00010	MANIFOLD (M4)		
61	0163F00011	MANIFOLD (M5)		
71	0163F00017	BECKETT BURNER (QTY 2)		
81	0121F00456	BRACKET-BURNER 2 (M1)		
81	0121F00455	BRACKET-BURNER 3 (M2)		
81	0121F00454	BRACKET-BURNER 4 (M3)		
81	0121F00453	BRACKET-BURNER 5 (M4)		
81	0121F00451	BRACKET-BURNER 6 (M5)		
111	0121F00469	ORIFICE BRACKET-BURNER 2 (M1)		
111	0121F00468	ORIFICE BRACKET-BURNER 3 (M2)		
111	0121F00467	ORIFICE BRACKET-BURNER 4 (M3)		
111	0121F00466	ORIFICE BRACKET-BURNER 5 (M4)		
111	0121F00465	ORIFICE BRACKET-BURNER 6 (M5)		
131	0161F00030	COVER, FRONT (M3)		
131	0161F00053	COVER, FRONT (M1)		
131	0161F00054	COVER, FRONT (M2)		
131	0161F00060	COVER, FRONT (M4)		
131	0161F00063	COVER, FRONT (M5)		
141	0154F00026	GASKET FRONT COVER (M1, M2)		
141	0154F00030	GASKET FRONT COVER (M3, M4)		
141	0154F00034	GASKET FRONT COVER (M5)		
151	0257F00362	HEAT EXCHANGER ASSY (M2)		
151	0257F00363	HEAT EXCHANGER ASSY (M3)		
151	0257F00364	HEAT EXCHANGER ASSY (M4)		
151	0257F00372	HEAT EXCHANGER ASSY (M5)		
151	0257F00380	HEAT EXCHANGER ASSY (M1)		
161	M0326804	TUBE PLUG		
171	0121F00539	SHEILD, BURNER (M1)		
171	0121F00540	SHEILD, BURNER (M2)		
171	0121F00541	SHEILD, BURNER (M3)		
171	0121F00542	SHEILD, BURNER (M4)		
171	0121F00543	SHEILD, BURNER (M5)		
181	0154F00043	GASKET ID BLOWER		
231	A1781105	CAP-VINYL .500		
261	0121F00317	COVER, REAR (M1, M2)		
261	0121F00318	COVER, REAR (M3, M4)		
261	0121F00319	COVER, REAR (M5)		
271	0154F00037	GASKET, REAR CVR (M1, M2)		
271	0154F00038	GASKET, REAR CVR (M3, M4)		
271	0154F00039	GASKET, REAR CVR (M5)		
371	0130F00071	LIMIT SWITCH (M3)		
371	20162903	LIMIT-BLUE (M4)		
371	20162901	LIMIT-RED (M1, M2)		
371	20162906	LIMIT-WHITE (M5)		
NS	0121F00583	INSULATION, RETAINER (M1, M2)		
NS	0121F00584	INSULATION, RETAINER (M3, M4)		
NS	0121F00585	INSULATION, RETAINER (M5)		