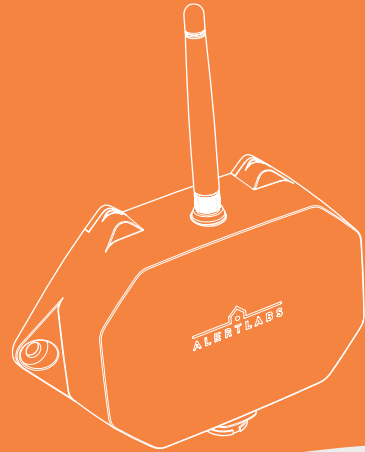


SENTREE

Safety and Installation



SAFETY & WARNINGS

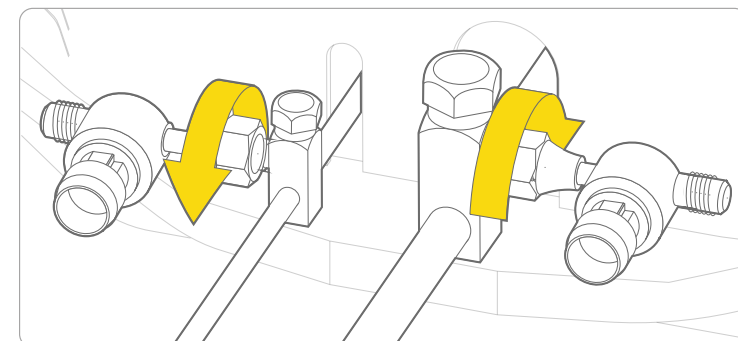
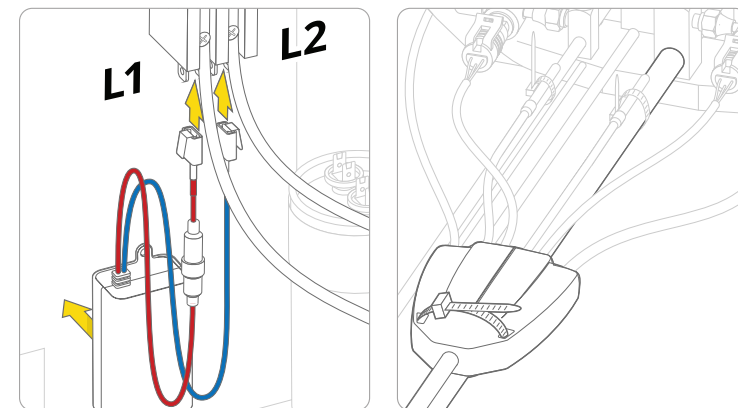
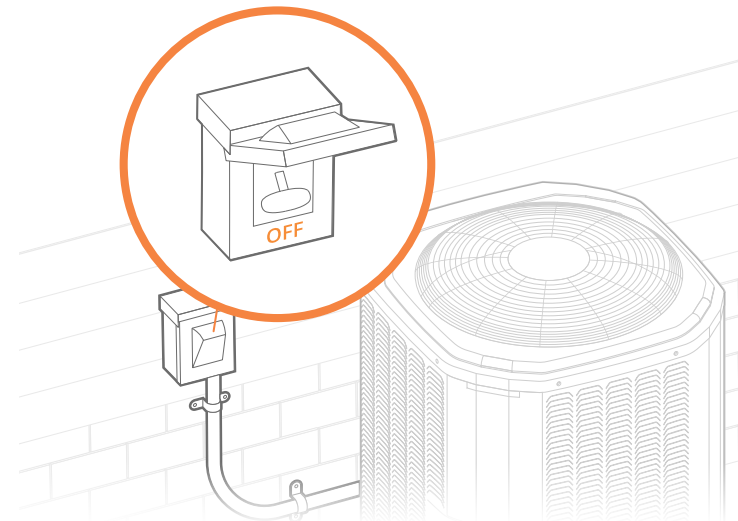
WARNING: RISK OF ELECTRIC SHOCK. CAN CAUSE INJURY OR DEATH: DISCONNECT ALL REMOTE ELECTRIC POWER SUPPLIES BEFORE SERVICING.

WARNING: CLASS 2 WIRING TO BE ROUTED AND SUPPORTED SUCH THAT IT WILL NOT COME INTO CONTACT WITH LINE VOLTAGE WIRING OR SHARP EDGES WITHIN THE ASSEMBLY.

WARNING: REFRIGERANT CAN CAUSE FROSTBITE. AVOID DIRECT CONTACT WITH THE SKIN. TO PROTECT HANDS IN THE EVENT OF REFRIGERANT LEAKAGE, WEAR GLOVES WHILE INSTALLING THE SENSOR.

ACTIVATE YOUR SENTREE

Go to app.alertlabs.com or download the app for your iPhone to activate the sensor and get full installation instructions.



POWER REQUIREMENTS

Rated voltage	240 VAC, single phase, 60 Hz
Rated current	40mA
Rated power	9.6W
Maximum power consumption	12W

REPLACEABLE FUSE

Fuse specifications	UL Listed or Recognized Supplemental Circuit Protection T 5.0 A H 300 VAC Replace with same type and fuse rating Example: Bel Fuse Inc, OADKC5000-BE
---------------------	---

ISED REGULATORY STATEMENTS (IC: 22365-ALB050)

This device contains licence-exempt transmitter(s)/receiver(s) that comply with Innovation, Science and Economic Development Canada's licence-exempt RSS(s). Operation is subject to the following two conditions:

- (1) This device may not cause interference.
- (2) This device must accept any interference, including interference that may cause undesired operation of the device.

CAN ICES-003(B) / NMB-003(B)

FCC REGULATORY STATEMENTS (FCC ID: 2AKXF-ALB050)

Changes or modifications not expressly approved by the party responsible for compliance could void the user's authority to operate this equipment.

Note: This equipment has been tested and found to comply with the limits for a Class B digital device, pursuant to part 15 of the FCC Rules. These limits are designed to provide reasonable protection against harmful interference in a residential installation. This equipment generates, uses and can radiate radio frequency energy and, if not installed and used in accordance with the instructions, may cause harmful interference to radio communications. However, there is no guarantee that interference will not occur in a particular installation. If this equipment does cause harmful interference to radio or television reception, which can be determined by turning the equipment off and on, the user is encouraged to try to correct the interference by one or more of the following measures:

- Reorient or relocate the receiving antenna.
- Increase the separation between the equipment and receiver.
- Connect the equipment into an outlet on a circuit different from that to which the receiver is connected.
- Consult the dealer or an experienced radio/TV technician for help.



WARNING

RISK OF ELECTRIC SHOCK. CAN CAUSE INJURY OR DEATH: DISCONNECT ALL REMOTE ELECTRIC POWER SUPPLIES BEFORE SERVICING



WARNING: RF EXPOSURE COMPLIANCE

The antenna(s) used for this transmitter must be installed to provide a separation distance of at least 20 cm from all persons and must not be co-located or operating in conjunction with any other product antenna or transmitter.



CAUTION

Installation must be performed by qualified HVAC technicians that are certified by the local Air Conditioner and Refrigeration Licensing Agency. Good refrigeration practices are expected to be used.

This Sentree device is intended to be connected to condenser units powered by 240 VAC, single phase, 60 Hz power and must connect to unused 1/4 inch quick connect terminals on the line side of the condenser's contactor.

This Sentree device is intended for use on systems up to 600 psi operating pressure.

This Sentree device is only intended for use on 1-5 ton residential air conditioner units.

There shall be no cutting of wires, rearrangement of existing components in the installed unit, cutting, drilling or welding in electrical compartments or in other areas where such operations may damage electrical or refrigerant components and wiring.

This product is not to be used with flammable refrigerants.

The kit assembly is suitable for locations where the assembly is occasionally in direct contact with water, as rain or defrost water, which may be permitted to collect inside the condensing unit.