

DIMENSIONS (ADJUSTABLE)

WIDTH: 30"- 51"  
 LENGTH: 30"- 51"  
 HEIGHT; 34"- 59"

CONSTRUCTION

16 GAUGE STEEL  
 1" SQUARE TUBING  
 7/8" SQUARE TUBING  
 TUBE IN TUBE FOR ADJUSTING

FEATURES

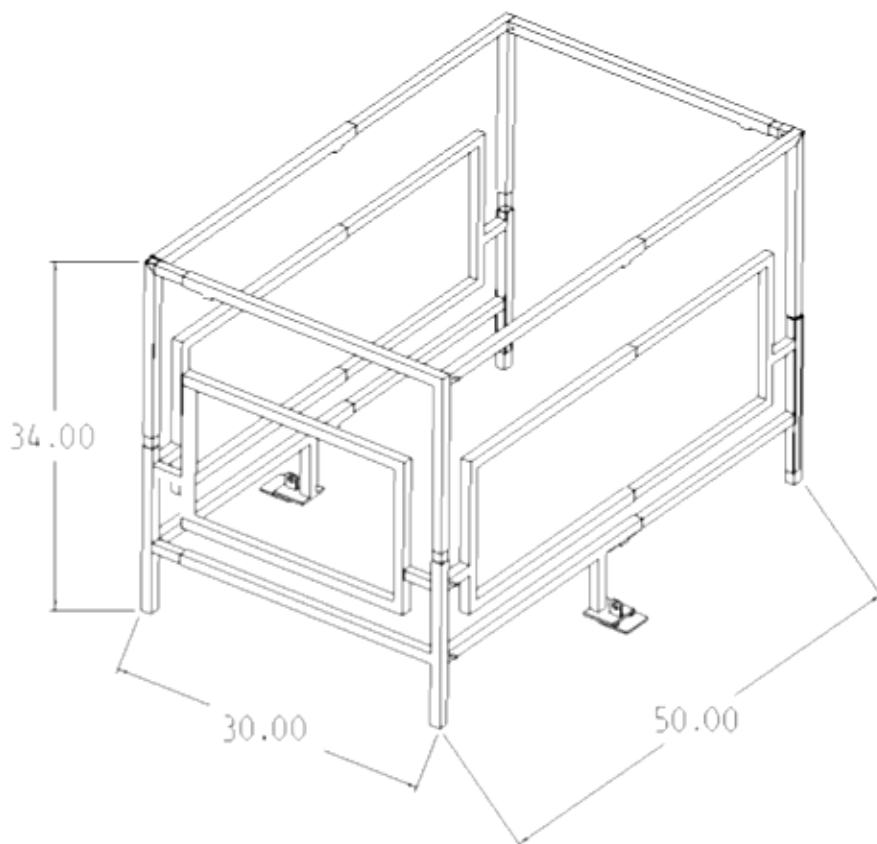
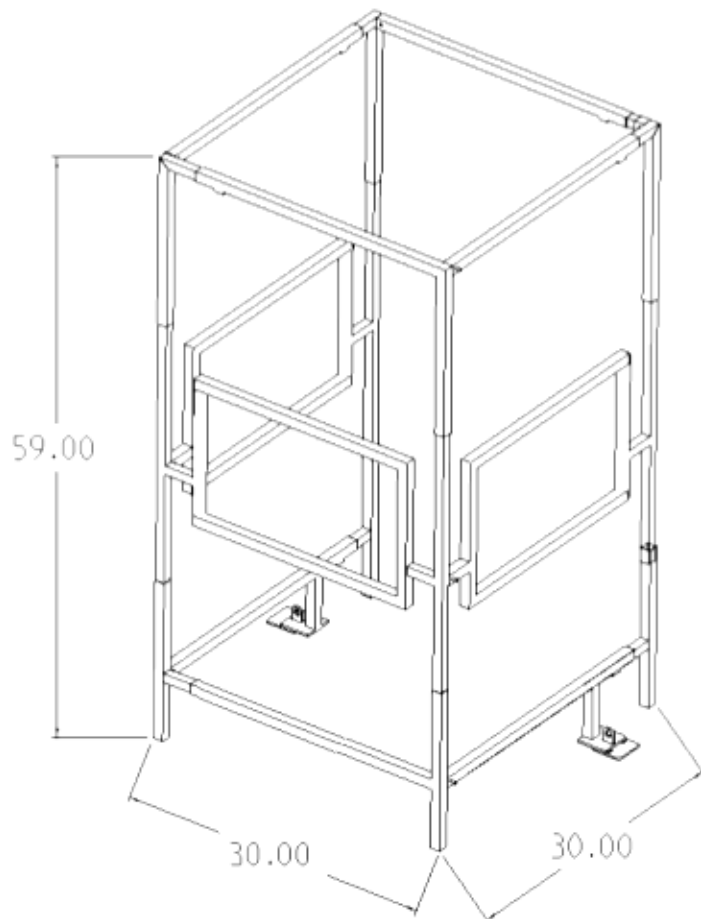
STAINLESS STEEL SHAFT PINS  
 (FOR CONNECTING PANELS)  
 1/4-20 HEX SOCKET, CONE POINT SET SCREW  
 (FOR LOCKING SIZE ADJUSTMENT)  
 ALLEN KEY INCLUDED IN HARDWARE

FINISH

BLACK POWDER COAT

WARRANTY

1 YEAR AGAINST DEFECTS



	SIZE <b>B</b>	MATERIAL <b>TUBE STEEL</b>	TITLE <b>AC GUARD</b>
	SCALE NONE		SHEET 1 of 1