

ASSEMBLY INSTRUCTIONS

1. Remove contents from box, separate into 3 sections:

Front:

Left Side:

Right Side:

Back Bar:

2. Measure front of A/C unit to be protected....height and width. Lay front section face down on ground with set screws facing upward. Expand frame to desired height and width (add about 2" to measurements for ease of installation) and screw set screws slightly (tighten later). Note: measure from bottom frame to lower center frame and then top frame to top center frame....this will ensure that the center rectangle is centered.

3. Stand front section up to A/C and make sure the outside post extends past each side by about 1" to 2", and the height is even with the top of the unit.

4. Measure the A/C from front to back, (allow about 2" for the back bar to clear the back of the A/C).

5. Take the right section and expand until the top, middle and bottom sections join with the front. Insert pins. **DO NOT FASTEN LOCK WASHERS YET.** With the right section attached to the front, pull the right section to the desired measurement of the A/C's right side. Gently tighten set screws.

6. Repeat left side section as right.

7. Front, left and right sections should now be connected with pin in, but do not fasten lock washers yet.

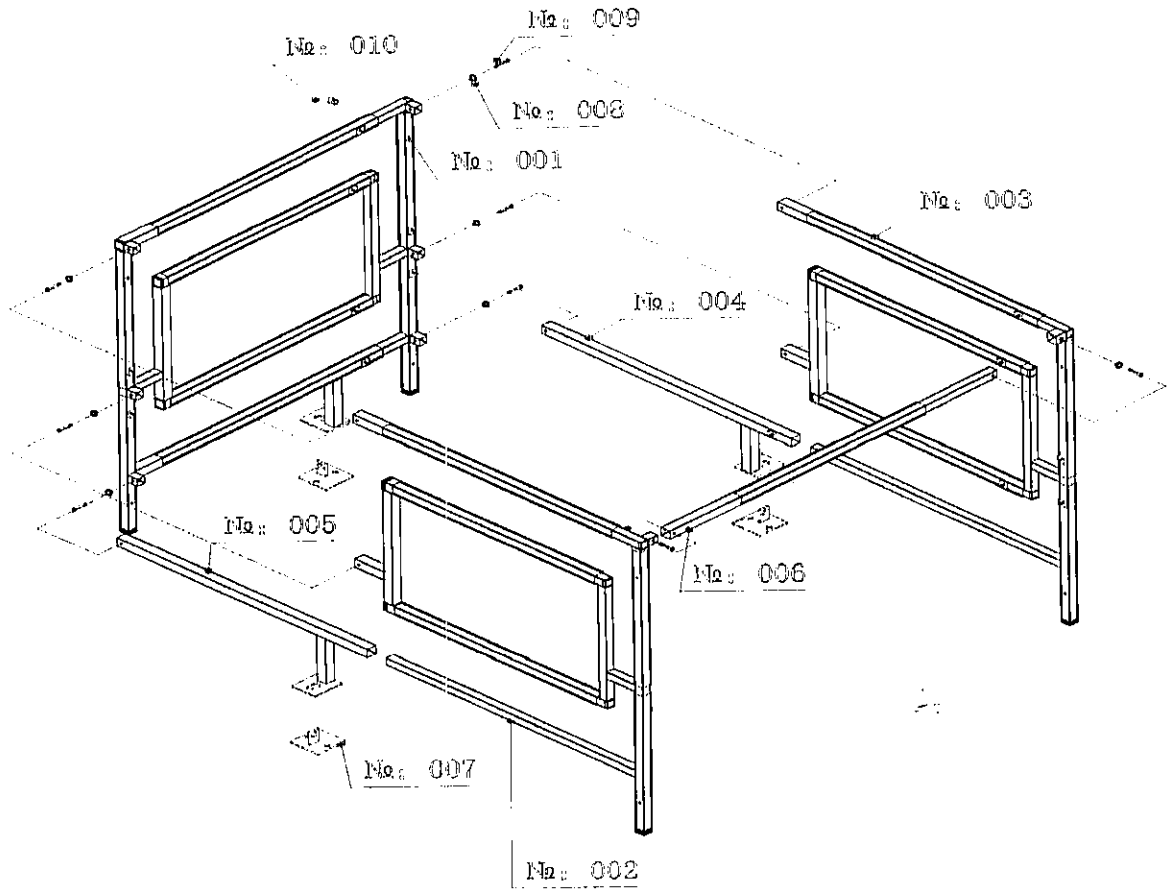
8. Set A/C Guard around A/C and make any adjustments needed. Be sure that rear bar is able to clear the rear of the unit.

9. When A/C Guard fits around the A/C unit, remove and tighten all set screws and lock washers and install back bar.

10. Place A/C Guard up to A/C again and set ground plates under all three legs. Mark each plate. Remove A/C Guard again, allowing the ground plates to be drilled. Note: If there is no slab or pavement to drill into, take 1 60 lb. bag of ready mix concrete, dig three holes and divide mixture. Add water, mix and set ground plate on soft concrete. Place screws or tapcons into cement and allow to dry.

11. Set A/C Guard back against A/C unit and over ground plates and place locks.

12. If you have purchased the extra security screen, center each of the three screens to your desired positions (using the center rectangle to fasten to). There are 4 self tapping screws with washers for each screen. After the screen is centered, fasten the screen at the corners of the inside of the A/C Guard frame.



			PCS	Notes
No:001		Front	1	
No:002		Left side	1	
No:003		Right side	1	
No:004		Right lower	1	
No:005		Left lower	1	
No:006		Back bar	1	
No:007		Ground plate	3	
No:008		Lock washer	12	8pcs required for set-up, 4pcs extra
No:009		Pin	12	8pcs required for set-up, 4pcs extra
No:010		Set screw	25	21pcs required for set-up, 4pcs extra
No:011		Hex key	1	

