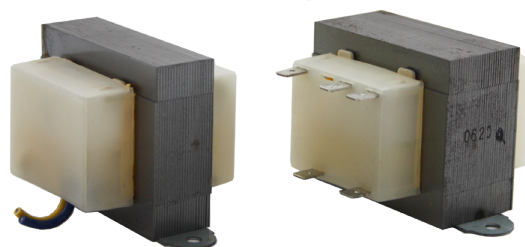


## HCT SERIES TRANSFORMERS

### 20 VA & 40 VA (COMPACT) WIRE LEAD & QUICK CONNECT

- UL/CUL recognized - File No. E223730, Guide No. XOKV2, Class 2, 3 or File No. E243953, Guide No. XPTQ2 General Purpose
- Consult Hartland Controls for specific requirements not shown in catalog.


**WIRE SIZE**

All leads are 18 AWG stranded 2/64" insulation thickness.

**QUICK CONNECT SIZE**

Standard male quick connect terminals are .250 x .032.  
 Optional .187 x .020 available

**FREQUENCY**

50/60 HZ

**INSULATION SYSTEM**

130°C Class B

#### PARTIAL LISTING OF AVAILABLE 20 VA & 40 VA (COMPACT)

Primary-Secondary Voltage	20 VA Wire Lead	40 VA Wire Lead	20 VA Quick Connect	40 VA Quick Connect
120 - 24	HCT-01C0AA01	HCT-01A0AA01	HCT-01C0BB09	HCT-01A0BB09
240 - 24	HCT-02C0AA01	HCT-02A0AA01	HCT-02C0BB09	HCT-02A0BB09
277 - 24	HCT-03C0AA01	HCT-03A0AA01	HCT-03C0BB09	HCT-03A0BB09
480 - 24	HCT-04C0AA01	HCT-04A0AA01	HCT-04C0BB09	HCT-04A0BB09
208/240 - 24	HCT-09C0AA01	HCT-09A0AA01	HCT-09C0BB09	HCT-09A0BB09

#### PRIMARY LEAD FEATURES

Voltage	Common	120	208	240	277	480	575
Color	Black	White	Red	Orange	Brown	Black/Red	Grey
Lead Length	12"	12"	12"	12"	12"	12"	12"
Strip Length	1/2"	1/2"	1/2"	1/2"	1/2"	1/2"	1/2"

#### SECONDARY LEAD FEATURES

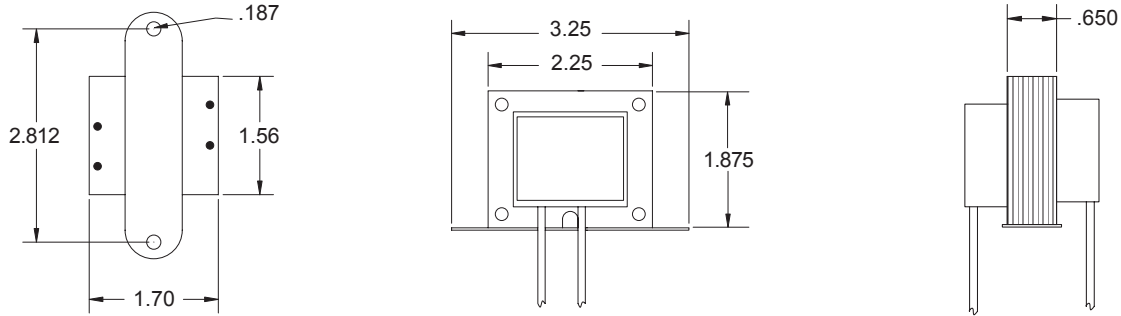
Voltage	Common	24
Color	Blue	Yellow
Lead Length	12"	12"
Strip Length	1/2"	1/2"

\*CUSTOM LENGTH, COLOR AND TERMINATIONS ARE AVAILABLE.

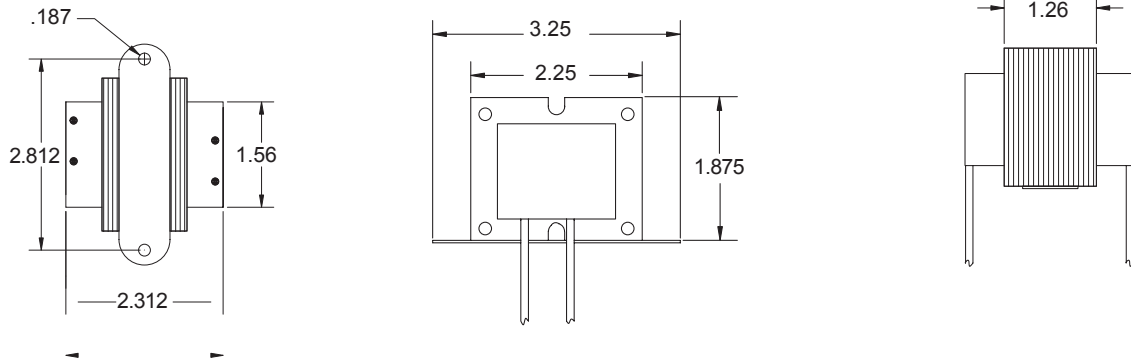
# HCT SERIES TRANSFORMERS

## 20 VA & 40 VA (COMPACT) WIRE LEAD & QUICK CONNECT

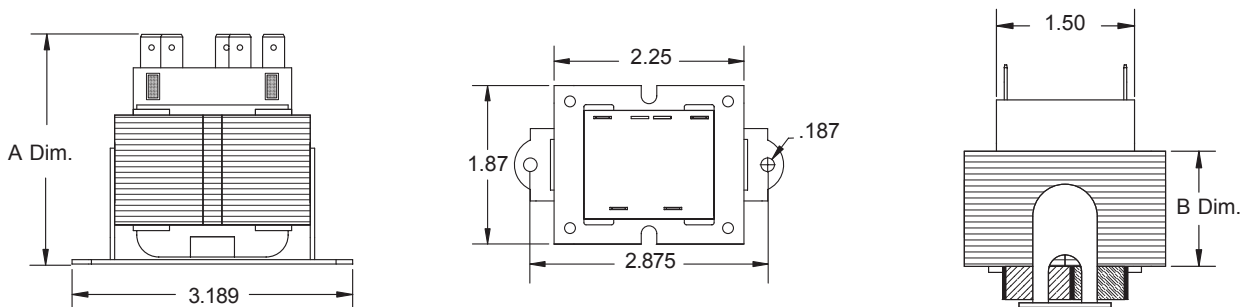
### 20 VA Wire Lead Models (inches)



### 40 VA (COMPACT) Wire Lead Models (inches)



### 20 VA & 40 VA (COMPACT) Quick Connect Models (inches)



	20VA	40VA
<b>A Dim.</b>	2.28	2.92
<b>B Dim.</b>	.650	1.26