



SOUTHWARK METAL MANUFACTURING COMPANY

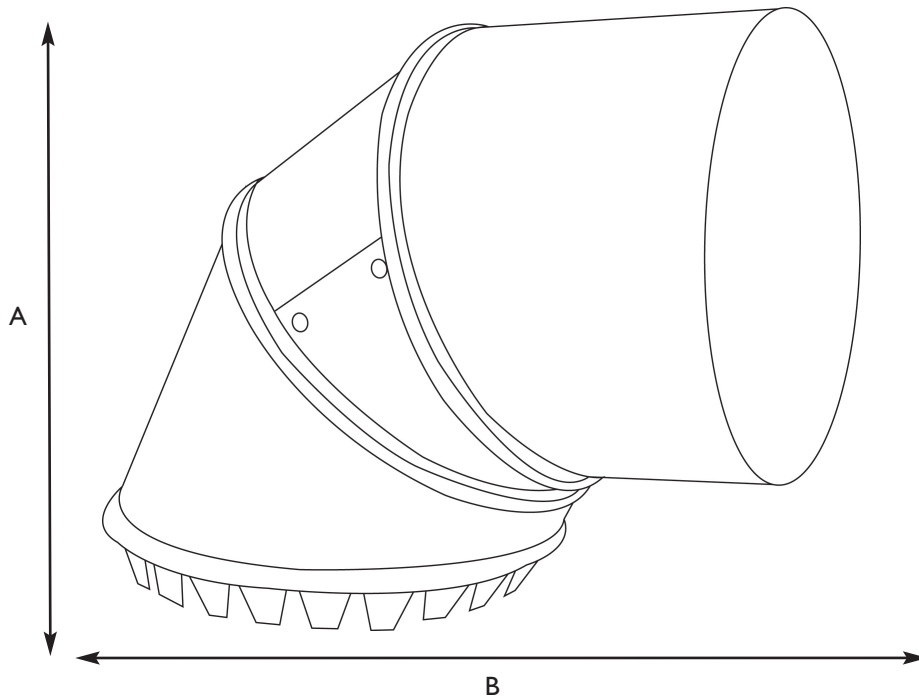
Philadelphia, PA • Greenville, SC • Indianapolis, IN • Southaven, MS • Fremont, NE • Caldwell, ID

Corporate Headquarters: 2800 Red Lion Road, Philadelphia PA 19114

tel: (800) 523-1052 • fax (800) 722-2076 • www.southwarkmetal.com

SUBMITTAL DRAWING

ROUND TO ROUND FULL TAB TAKEOFF
(MODEL NO: EPI5)



Collar	Base width	(A) Height	(B) Length
4"	6 ³ / ₈ "	7 ¹ / ₄ "	9 ¹ / ₄ "
5"	6 ³ / ₈ "	7 ¹ / ₄ "	9 ¹ / ₄ "
6"	7"	7 ¹ / ₂ "	11"
7"	8"	8 ¹ / ₂ "	12 ¹ / ₂ "

NOTES

- Material: Hot Dipped Galvanized Steel per ASTM A653 CS Type B
- 30 gauge
- Tapered fitting collar; no crimp
- 3/4" tab
- 1 7/8" rise when installed

JOB NAME: _____
 LOCATION: _____
 ARCHITECT: _____
 ENGINEER: _____
 CONTRACTOR: _____

DATE: 11/13/13 | SW-EPI5IN | SD-0131

Round to Round Full Tab Takeoff
 MODEL NO: EPI5