



SOUTHWARK METAL MANUFACTURING COMPANY

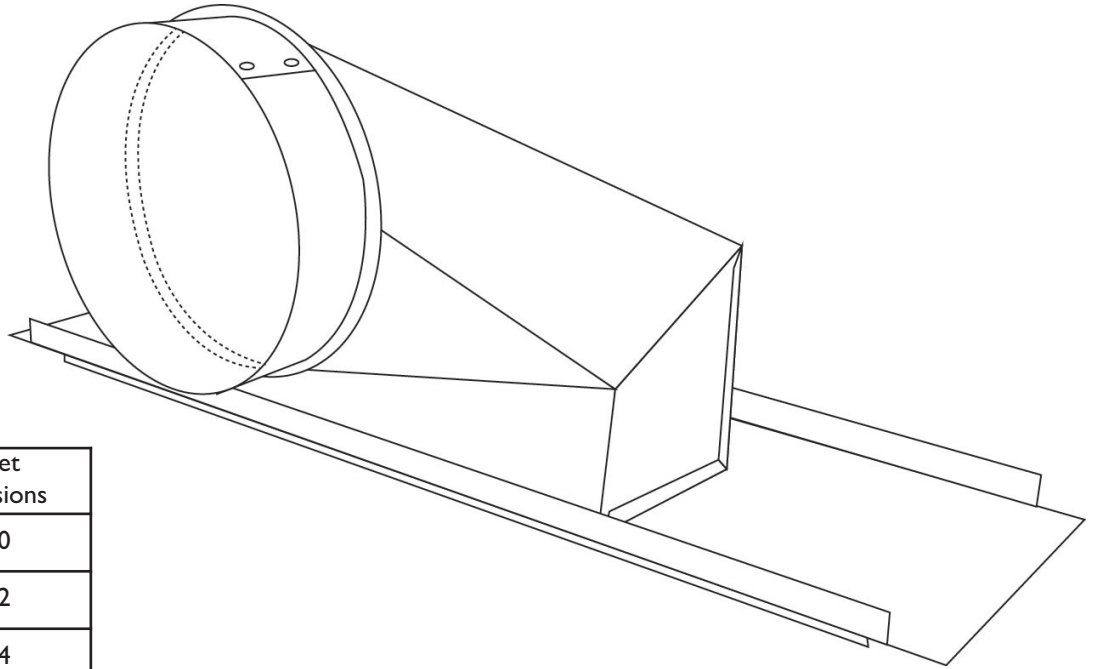
Philadelphia, PA • Greenville, SC • Indianapolis, IN • Southaven, MS • Fremont, NE • Caldwell, ID

Corporate Headquarters: 2800 Red Lion Road, Philadelphia PA 19114

tel: (800) 523-1052 • fax (800) 722-2076 • www.southwarkmetal.com

SUBMITTAL DRAWING

90° CEILING BOX with PLATE
(MODEL NO: 59P)



Product Availability

Collar	Outlet Dimensions
4", 5", 6", 7"	4x10
6", 7", 8"	4x12
6", 7", 8"	4x14
6"	6x6
5", 6", 7"	6x10
6", 7", 8"	6x12
6", 7", 8"	6x14
6", 7", 8"	8x8

NOTES

- Material: Hot Dipped Galvanized Steel per ASTM A653 CS Type B
- 30 Ga body; 26 Ga plate
- 24" joist spacing
- Check with division for other available sizes upon request
- 2½" throat height
- ½" drywall flange

JOB NAME: _____
 LOCATION: _____
 ARCHITECT: _____
 ENGINEER: _____
 CONTRACTOR: _____

DATE: 05/20/13 | SW-59PNE | SD-0081

90° Ceiling Box with Plate
 MODEL NO: 59P