



**SOUTHWARK METAL MANUFACTURING COMPANY**

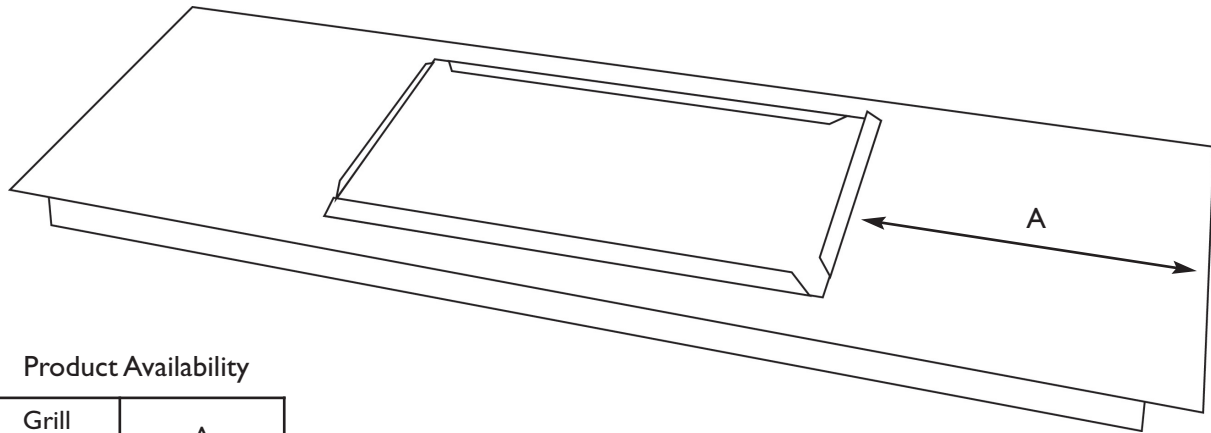
Philadelphia, PA • Greenville, SC • Indianapolis, IN • Southaven, MS • Fremont, NE • Caldwell, ID

Corporate Headquarters: 2800 Red Lion Road, Philadelphia PA 19114

tel: (800) 523-1052 • fax (800) 722-2076 • www.southwarkmetal.com

**SUBMITTAL DRAWING**

**PLASTER FRAME  
(MODEL NO: 31PF)**



Product Availability

Grill Opening	A
4" x 10"	6 7/8"
4" x 12"	5 7/8"
4" x 14"*	4 7/8"
6" x 10"	6 7/8"
6" x 12"	5 7/8"
6" x 14"*	4 7/8"

**NOTES**

- Material: Hot Dipped Galvanized Steel per ASTM A653 CS Type B
- 30 gauge
- Overall length 24" for all sizes
- Overall height 1 1/2" for all sizes
- Ear height of grill frame 1/2" on all sizes

- \*Sizes 4x14 and 6x14 are hand-sheared, sawed and assembled. All other sizes are die-stamped.

JOB NAME: \_\_\_\_\_  
 LOCATION: \_\_\_\_\_  
 ARCHITECT: \_\_\_\_\_  
 ENGINEER: \_\_\_\_\_  
 CONTRACTOR: \_\_\_\_\_

DATE: 10/29/13

SW-31PFGVL

SD-0121

Plaster Frame  
 MODEL NO: 31PF