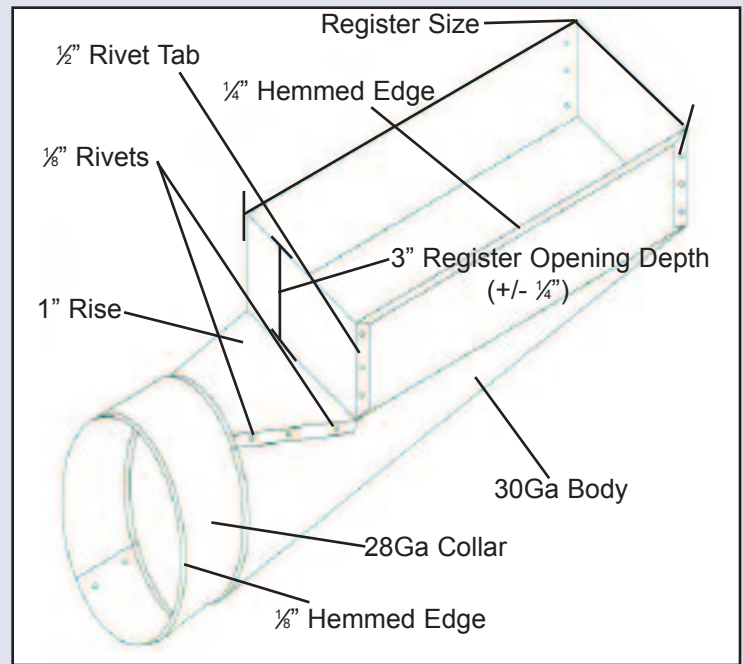
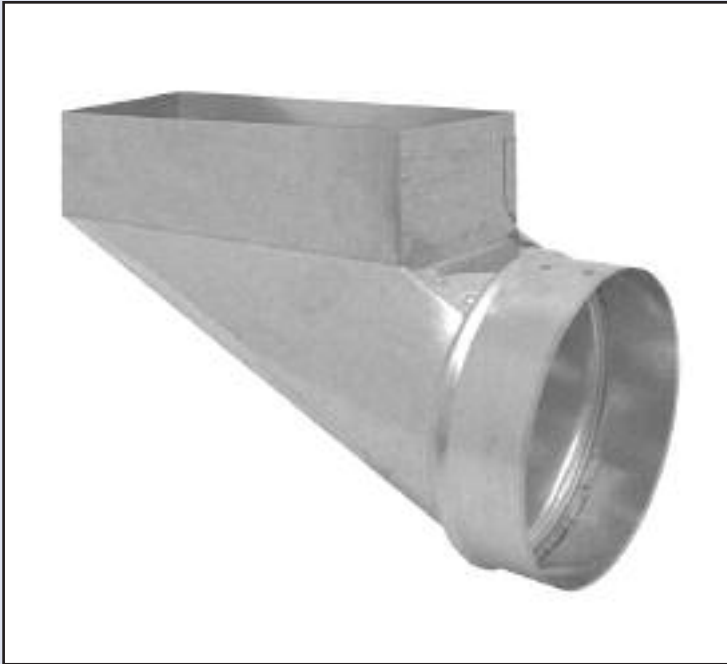




END REGISTER BOOT



SPECIFICATIONS:

Technical Data

- Material: Hot Dipped Galvanized Steel per ASTM A653 CS Type B
- G40 Rating
- 28Ga Collar, 30Ga Body
- 1/2" Rivet Tab using 1/8" Rivets
- 3" Register Opening Depth (+/- 1/4")
- 1/4" Hemmed Edge on Register Opening
- 1/8" Hemmed Edge on Collar
- 1" Rise
- Part #: 28R: Philadelphia Division
RB58: Greenville & Mississippi Division
PH3: Indianapolis & Nebraska Division

Product Availability

- Standard Sizes Available: (Available Center, Right, or Left)

Register Size	Collar Size
2 1/4 x 10	4 thru 8
2 1/4 x 12	4 thru 8
2 1/4 x 14	5 thru 8
4 x 8	4 thru 6
4 x 10	4 thru 8
4 x 12	4 thru 8
4 x 14	5 thru 8
6 x 10	4 thru 8
6 x 12	5 thru 8
6 x 14	6 thru 8

- Can be fabricated with Rails, Flange, CRD, Extended Collar
- Non-standard Sizes & Gauges available upon request.

SOUTHWARK METAL MFG. CO.

Indianapolis Division
10401 E. 59th Street
Indianapolis, IN 46236
(800) 490-7707
FAX (317) 823-1006

SOUTHWARK METAL MFG. CO.

Philadelphia Division
2800 Red Lion Rd.
Philadelphia, PA 19114
(800) 523-1052
FAX (800) 722-2076

SOUTHWARK METAL MFG. CO.

Greenville Division
255 Bessie Road - Hwy 86
Piedmont, SC 29673
(800) 229-2803
FAX (864) 845-6190

SOUTHWARK METAL MFG. CO.

Nebraska Division
2073 North Rademakers Way
Fremont, NE 68025
(800) 801-0336
FAX (402) 753-9008



SOUTHWARK METAL MFG. CO.

Mississippi Division
8680 Stanton Road
Southaven, MS 38671
(800) 541-6706
FAX (662) 393-8005