

GT SERIES GAS TEST GAUGE



Utility gas test gauge with horizontal, vertical or bell shaped housing
For pressure tests of residential and commercial piping systems

SPECIFICATIONS

Dial	2" (50 mm)
Case	Black painted steel, dry non-fillable
Wetted Parts	Copper alloy Bourdon tube & socket Steel block (Horizontal/vertical chrome plated steel)
Ranges	Standard ranges: 0/15 psi to 0/200 psi
Bezel	Plastic
Lens	Plastic, snap in
Pointer	Black aluminum
Connection	Lower mount 1/2", 3/4" or 1" FNPT
Scale	Standard: single scale psi
Accuracy	3-2-3% of span, ASME B40.1 Grade B
Ambient Temp	-40° F to 160° F
Test Block	Steel with valve for pressurization

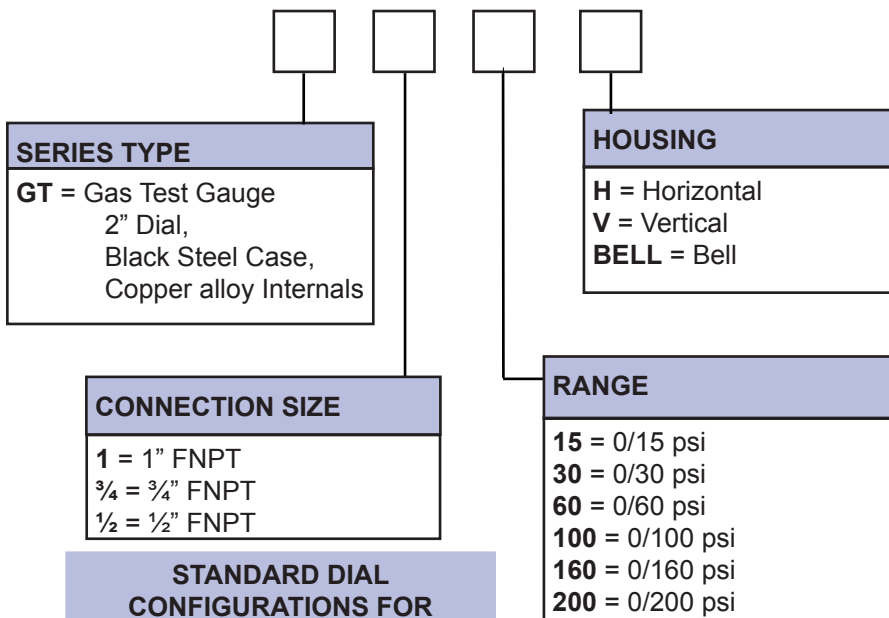
Design meets or exceeds ASME B40.100 pressure gauge standard.



AVAILABLE OPTIONS*

- Custom Dial
- Special Connection Size
- Other Ranges

PART NUMBERING SYSTEM



STANDARD DIAL CONFIGURATIONS FOR GAS TEST SERIES

Dial Range	Figure Intervals	Graduation Intervals
0/15 psi	1 psi	0.1 psi
0/30 psi	5 psi	0.25 psi
0/60 psi	10 psi	0.5 psi
0/100 psi	20 psi	1 psi
0/160 psi	20 psi	2 psi
0/200 psi	20 psi	5 psi

APPROXIMATE SHIPPING WEIGHTS/ BOX QUANTITIES

HORIZONTAL 2" DIAL SIZE

1/2" FNPT: 0.65 lbs (0.28 kg)/50 pcs
3/4" FNPT: 0.65 lbs (0.30 kg)/50 pcs
1" FNPT: 0.85 lbs (0.38 kg)/50 pcs

VERTICAL 2" DIAL SIZE

1/2" FNPT: 0.70 lbs (0.32 kg)/50 pcs
3/4" FNPT: 0.65 lbs (0.28 kg)/50 pcs
1" FNPT: 0.85 lbs (0.38 kg)/50 pcs

BELL 2" DIAL SIZE

1/2" FNPT: 0.40 lbs (0.20 kg)/50 pcs
3/4" FNPT: 0.50 lbs (0.22 kg)/50 pcs
1" FNPT: 0.60 lbs (0.26 kg)/50 pcs

NOTE: Not all part numbers or options are available from stock. Consult PIC Gauges for availability.

A Division of Engineered Specialty Products, Inc.