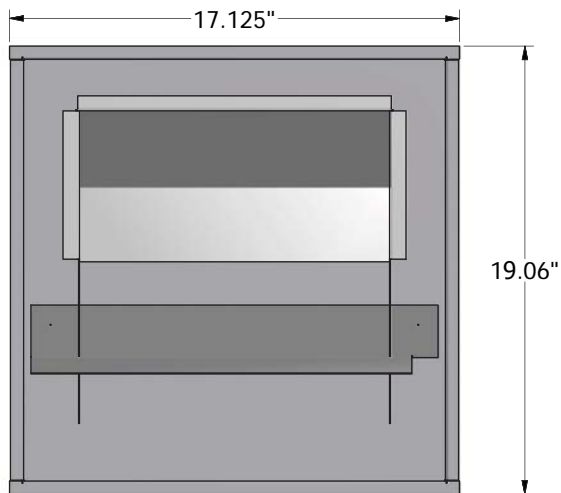
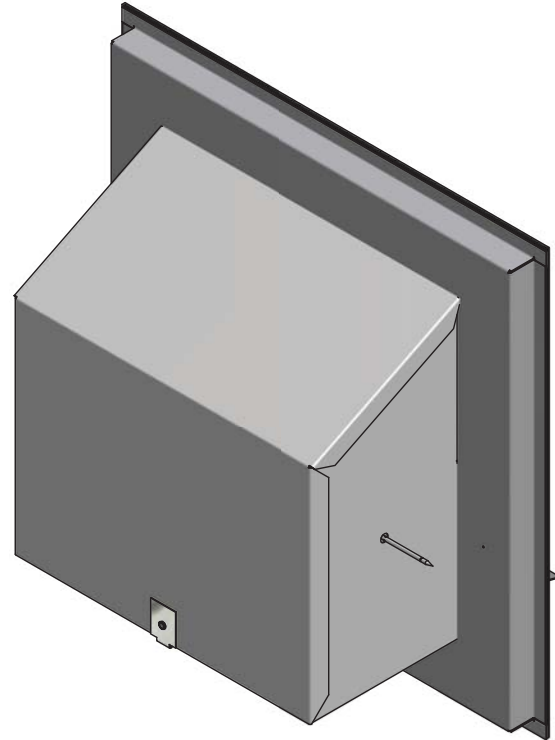


RIGHT SIDE



BACKSIDE



FEATURES

PGMDD103 MANUAL DAMPER

- PROVIDES UP TO 25% FRESH AIR
- SLIDE DAMPER FOR EASY ADJUSTMENT

PGMDMD103 MOTORIZED DAMPER

- 24VAC DAMPER MOTOR WITH SPRING RETURN
- FACTORY WIRED FOR EASY CONNECTION

FITS M-SERIES LARGE CHASSIS GAS PACK AND DUAL FUEL PACKAGE UNITS
ALL DAMPERS PAINTED TO MATCH GOODMAN UNITS