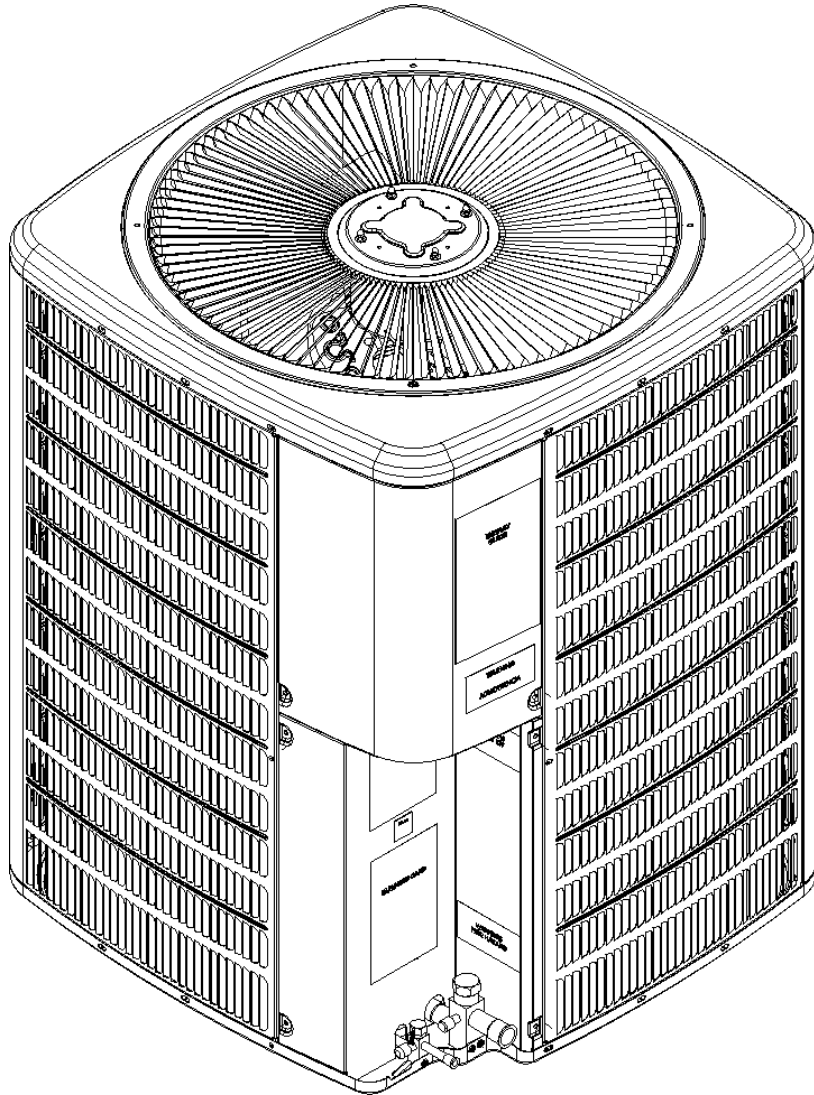


REPAIR PARTS

SSX14 SEER Remote Condensing Unit

SSX140181BB
SSX140181BC
SSX140241BB
SSX140241BC
SSX140301BB
SSX140301BC
SSX140361BB
SSX140361BC
SSX140421CB
SSX140421CC
SSX140601AF



This manual is to be used by qualified technicians only.

This manual replaces RP-728.

© 2012-2013 Goodman Manufacturing Company, L.P. ♦ 5151 San Felipe, Suite 500 ♦ Houston, TX 77056

Important Information

Index

Functional Parts List	3
Illustration and Parts	4 - 9

Views shown are for parts illustrations only, not servicing procedures.

Rev A: addition of models with 2 piece louvers.

Text Codes:

AR - As Required

NA - Not Available

NS - Not Shown

00000000 - See Note

QTY - Quantity Example (QTY 3) (If Quantity not shown, Quantity = 1)

M - Model Example (M1) (If M Code not shown, then part is used on all Models)

Expanded Model Nomenclature:

Example M1 - Model#1 M2 - Model#2 M3 - Model#3

Goodman Manufacturing Company, L.P. is not responsible for personal injury or property damage resulting from improper service. Review all service information before beginning repairs.

Warranty service must be performed by an authorized technician, using authorized factory parts. If service is required after the warranty expires, Goodman Manufacturing Company, L.P. also recommends contacting an authorized technician and using authorized factory parts.

Goodman Manufacturing Company, L.P. reserves the right to discontinue, or change at any time, specifications or designs without notice or without incurring obligations.

For assistance within the U.S.A. contact:
Consumer Affairs Department
Goodman Manufacturing Company, L.P.
7401 Security Way
Houston, Texas 77040
877-254-4729-Telephone
713-863-2382-Facsimile

For assistance outside the U.S.A. contact:
International Division
Goodman Manufacturing Company, L.P.
7401 Security Way
Houston, Texas 77040
713-861-2500-Telephone
713-863-2382-Facsimile

Functional Parts

Part

No: Description:

B12825171	3/8 BASE VALVE (OPEN)
CAP050700440RT	CAP, 5/70 MFD/440V/DUAL RD (M11)
CAP050300440RS	CAPACITOR 5/30/370V (M1, M2)
CAP050350440RS	CAPACITOR 5/35/440V (M3, M4)
CAP050400440RT	CAPACITOR 5/40/440V (M5, M6)
CAP050450440RT	CAPACITOR 5/45/440V (M7, M8, M9, M10)
ZP20K5EPFV130	COMP,20000,208/230/60/1 (M3, M4)
ZP16K5EPFV130	COMPRESSOR 15500, 208/230/60/1 (M1, M2)
ZP24K5EPFV130	COMPRESSOR 24000, 208/230/60/1 (M5, M6)
ZP29K5EPFV130	COMPRESSOR 29000, 208/230/60/1 (M7, M8)
ZP31K5EPFV130	COMPRESSOR 31100, 208/230/60/1 (M9, M10)
ZP51K5EPFV130	COMPRESSOR 51000, 208/230/60/1 (M11)
0131M00266	COND 1/8 HP 8 PL PSC (M1, M2)
0131M00019P	COND MOTOR 1/12 HP, 1 SP, 8 PL (M3, M4)
0131M00016P	COND MOTOR 1/6 HP, 1 SP, 8 PL (M5, M6, M7, M8, M9, M10)
0131M00061	COND MOTOR, 1/4HP, 1SP, 8PL (M11)
CONT1P025024V	CONTACTOR 25 AMP, 1P, 24V (M1, M2, M3, M4, M5, M6, M7, M8, M9, M10)
CONT1P030024V	CONTACTOR 30 AMP, 1P, 24V (M11)
0150M00001P	FAN BLADE 20 INCH (M3, M4)
0150M00012	FAN BLADE- 20" CCW (M1, M2)
0150M00008	FAN BLADE 22" TNT2203-25 (M7, M8)
10625738	FAN BLADE 26" ALUM CCW (M11)
B1086764	FAN BLADE TYPE 2 (M5, M6, M9, M10)
0130M00082	LOW PRESSURE SWITCH
0130M00089	SW-CUTOUT HI PRESS
0151R00032	VALVE, BASE 3/4" OPEN LEFT (M1, M2, M3, M4, M5, M6, M7, M8)
0151R00033	VALVE, BASE 7/8" OPEN LEFT (M9, M10, M11)

Expanded Model Nomenclature

M1 - SSX140181BB
M2 - SSX140181BC
M3 - SSX140241BB
M4 - SSX140241BC
M5 - SSX140301BB
M6 - SSX140301BC
M7 - SSX140361BB
M8 - SSX140361BC
M9 - SSX140421CB
M10 - SSX140421CC
M11 - SSX140601AF

Top Panel Assy / Louvered Panels

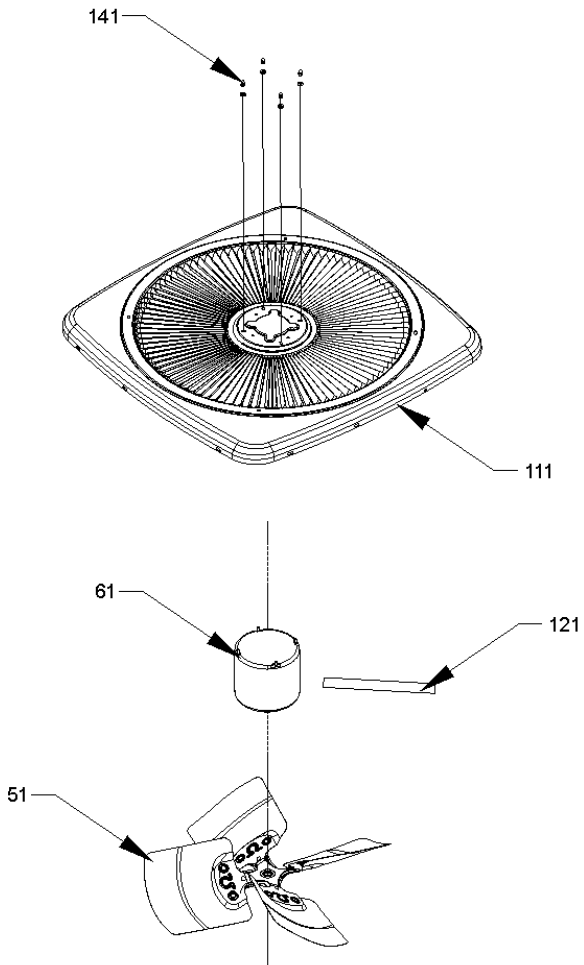


Image 1

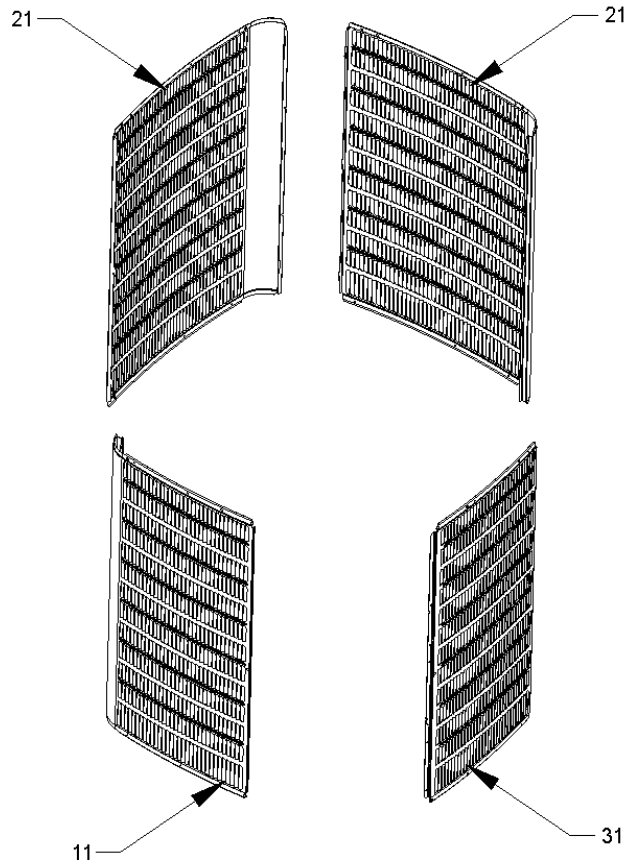
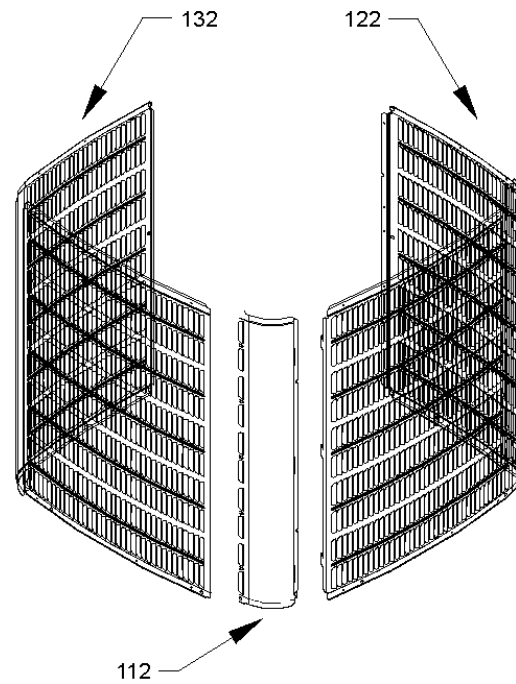


Image 2



Top Panel Assy / Louvered Panels

**Ref. Part
No: No:**

Description:

**Ref. Part
No: No:**

Description:

Image 1:

11	0121R00043PDGB	LOUVERED SIDE PANEL [LT OF CNTL PNL] (M11)
11	0121R00102PDGB	LOUVERED SIDE PANEL [LT OF CNTL PNL] (M1)
11	0121R00125PDGB	LOUVERED SIDE PANEL [LT OF CNTL PNL] (M5, M7)
11	0121R00127PDGB	LOUVERED SIDE PANEL [LT OF CNTL PNL] (M9)
11	0121R00171PDGB	LOUVERED SIDE PANEL [LT OF CNTL PNL] (M3)
21	0121R00047PDGB	LOUVERED SIDE PANEL (M11)
21	0121R00109PDGB	LOUVERED SIDE PANEL (M1)
21	0121R00132PDGB	LOUVERED SIDE PANEL (M5, M7)
21	0121R00134PDGB	LOUVERED SIDE PANEL (M9)
21	0121R00172PDGB	LOUVERED SIDE PANEL (M3)
31	0121R00051PDG	LOUVERED SIDE PANEL [RT OF CNTL PNL] (M11)
31	0121R00116	LOUVERED SIDE PANEL [RT OF CNTL PNL] (M1)
31	0121R00139PDG	LOUVERED SIDE PANEL [RT OF CNTL PNL] (M5, M7)
31	0121R00141PDG	LOUVERED SIDE PANEL [RT OF CNTL PNL] (M9)
31	0121R00173PDG	LOUVERED SIDE PANEL [RT OF CNTL PNL] (M3)
51	0150M00001P	FAN BLADE 20 INCH (M3, M4)
51	0150M00012	FAN BLADE- 20" CCW (M1, M2)
51	0150M00008	FAN BLADE 22" TNT2203-25 (M7, M8)
51	10625738	FAN BLADE 26" ALUM CCW (M11)
51	B1086764	FAN BLADE TYPE 2 (M5, M6, M9, M10)
61	0131M00266	COND 1/8 HP 8 PL PSC (M1, M2)
61	0131M00019P	COND MOTOR 1/12 HP, 1 SP, 8 PL (M3, M4)
61	0131M00016P	COND MOTOR 1/6 HP, 1 SP, 8 PL (M5, M6, M7, M8, M9, M10)
61	0131M00061	COND MOTOR, 1/4HP, 1SP, 8PL (M11)
111	0121R00010PDG	TOP PANEL, 29" PNT (M5, M6, M7, M8, M9, M10)
111	0121R00008PDG	TOP PANEL, 26" PNT (M1, M2, M3, M4)
111	0121R00269PDG	Top Panel, 35" Pnt (M11)
121	0161R00001P	CONDUIT (M1, M2, M3, M4)
121	0161R00002P	CONDUIT (M7, M8)
121	0161R00003P	CONDUIT (M5, M6, M9, M10)
121	0161R00005P	CONDUIT (M11)
141	0163M00006P	ACORN NUT 5/16 HEX BLACK (QTY 4)

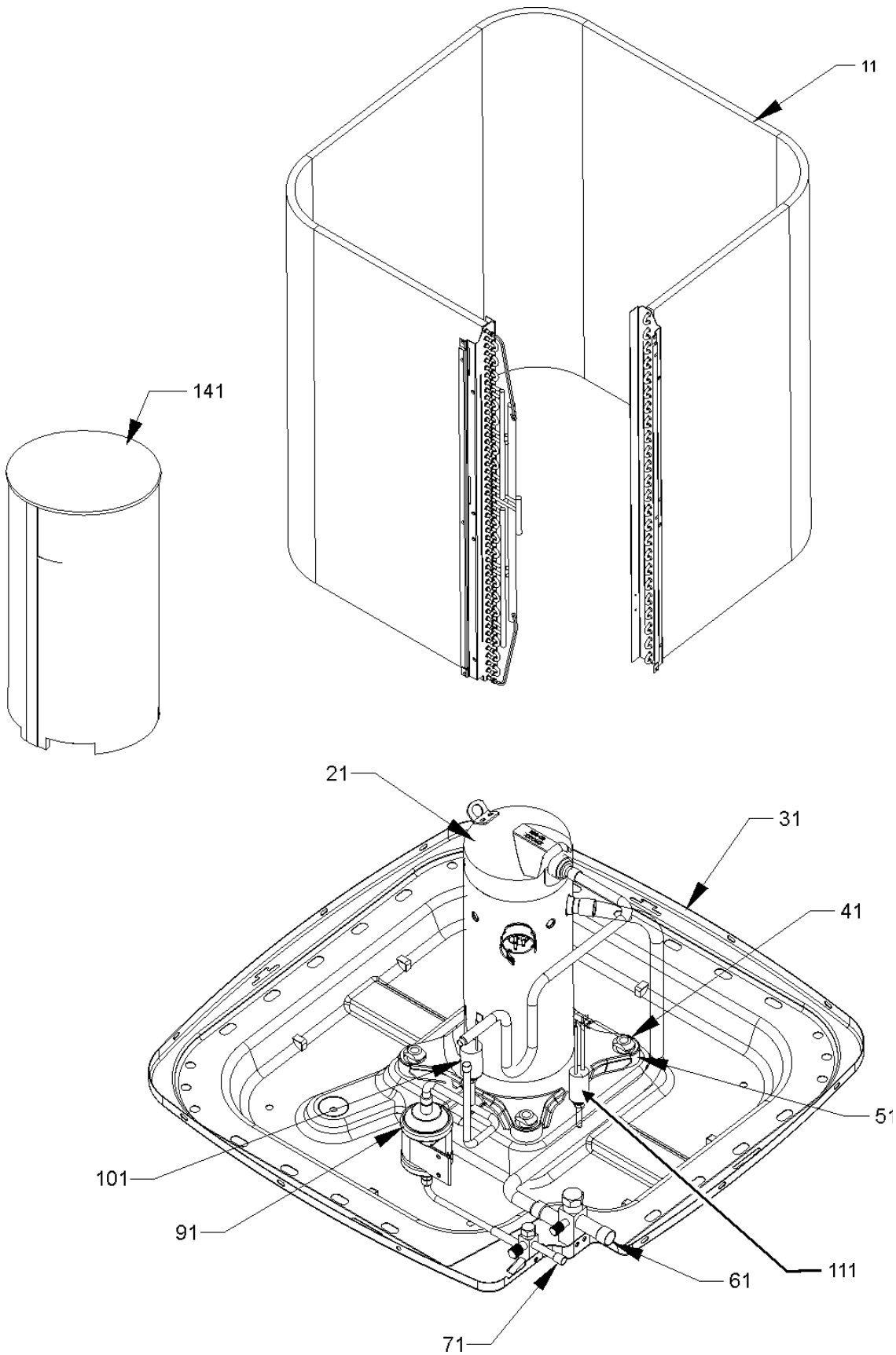
Expanded Model Nomenclature

M1 - SSX140181BB
M2 - SSX140181BC
M3 - SSX140241BB
M4 - SSX140241BC
M5 - SSX140301BB
M6 - SSX140301BC
M7 - SSX140361BB
M8 - SSX140361BC
M9 - SSX140421CB
M10 - SSX140421CC
M11 - SSX140601AF

Image 2:

112	0121R00347PDG	Louver Post, PDG 23.73 (M2)
112	0121R00350PDG	Louver Post, PDG 28.73 (M4, M6, M8)
112	0121R00352PDG	Louver Post, PDG 32.51 (M10)
122	0121R00336PDGR	Louver Panel, PDG 26"_23.73 (M2)
122	0121R00337PDGR	Louver Panel, PDG 26"_28.73 (M4)
122	0121R00342PDGR	Louver Panel, PDG 29"_28.73 (M6, M8)
122	0121R00344PDGR	Louver Panel, PDG 29"_32.51 (M10)
132	0121R00336PDGL	Louver Panel, PDG 26"_23.73 (M2)
132	0121R00337PDGL	Louver Panel, PDG 26"_28.73 (M4)
132	0121R00342PDGL	Louver Panel, PDG 29"_28.73 (M6, M8)
132	0121R00344PDGL	Louver Panel, PDG 29"_32.51 (M10)

Condenser Coil and Tubing Assy



Condenser Coil and Tubing Assy

**Ref. Part
No: No:**

Description:

**Ref. Part
No: No:**

Description:

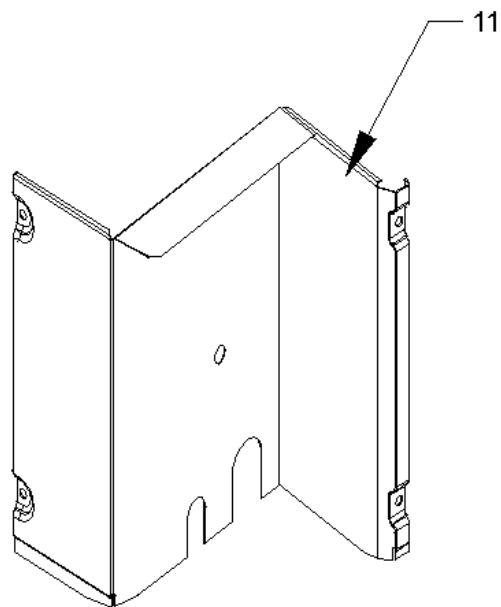
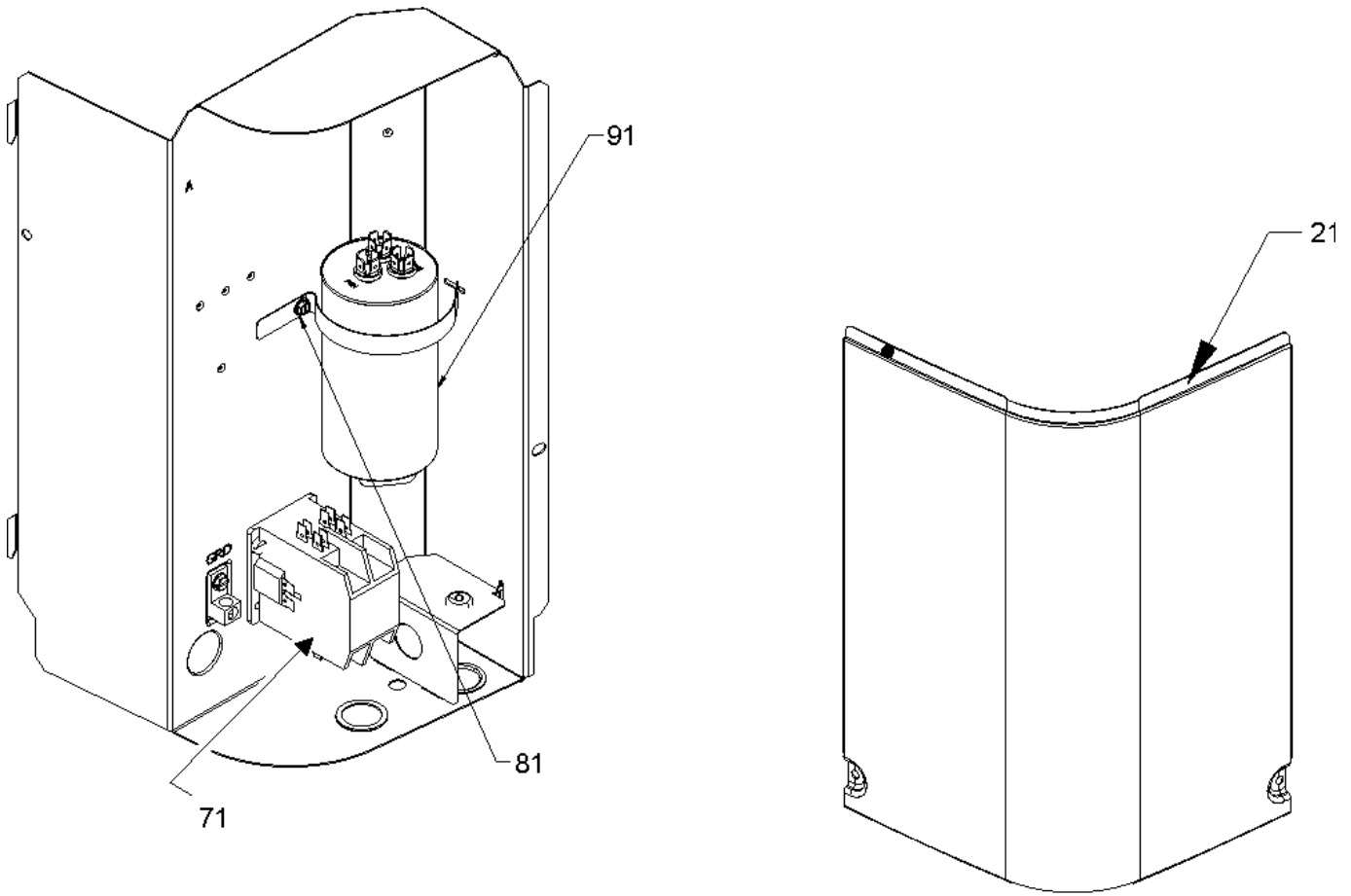
Image 1:

11	0201R00137	TUBING ASSY, COND COIL (M11)
11	0201R00230	TUBING ASSY, COND COIL (M5, M6)
11	0201R00251	TUBING ASSY, COND COIL (M3, M4)
11	0201R00252	TUBING ASSY, COND COIL (M3, M4)
11	0201R00271	TUBING ASSY, COND COIL (M1, M2)
11	0201R00278	TUBING ASSY, COND COIL (M7, M8)
11	0201R00315	TUBING ASSY, COND COIL (M9, M10)
21	ZP20K5EPFV130	COMP,20000,208/230/60/1 (M3, M4)
21	ZP16K5EPFV130	COMPRESSOR 15500, 208/230/60/1 (M1, M2)
21	ZP24K5EPFV130	COMPRESSOR 24000, 208/230/60/1 (M5, M6)
21	ZP29K5EPFV130	COMPRESSOR 29000, 208/230/60/1 (M7, M8)
21	ZP31K5EPFV130	COMPRESSOR 31100, 208/230/60/1 (M9, M10)
21	ZP51K5EPFV130	COMPRESSOR 51000, 208/230/60/1 (M11)
31	0121R00005PDG	BASE PAN 26" (M1, M2, M3, M4)
31	0121R00006PDG	BASE PAN 29" (M5, M6, M7, M8, M9, M10)
31	0121R00007PDG	BASE PAN 35" (M11)
41	M0221641	TF SHOULDER SCREW (QTY 4)
51	B1339533	COMPRESSOR GROMMET (QTY 4)
61	0151R00032	VALVE, BASE 3/4" OPEN LEFT (M1, M2, M3, M4, M5, M6, M7, M8)
61	0151R00033	VALVE, BASE 7/8" OPEN LEFT (M9, M10, M11)
71	B12825171	3/8 BASE VALVE (OPEN)
91	0162R00009	FILTER DRIER
101	0130M00089	SW-CUTOUT HI PRESS
111	0130M00082	LOW PRESSURE SWITCH
141	B1488806	COMPRESSOR SOUND BLANKET (M11)
141	B1488810	COMPRESSOR SOUND BLANKET (M1, M2, M3, M4, M5, M6, M7, M8, M9, M10)
NS	0159R00000P	COMPRESSOR SCROLL HARNESS (M1, M2, M3, M4, M5, M6, M7, M8)
NS	0159R00002P	COMPRESSOR SCROLL HARNESS (M9, M10)
NS	0159R00002P	COMPRESSOR SCROLL HARNESS (M11)
NS	B1789852	FLOW CHECK PISTON KIT .052 (M1, M2)
NS	B1789855	FLOW CHECK PISTON KIT .055 (M3, M4)
NS	B1789865	FLOW CHECK PISTON KIT .065 (M5, M6)
NS	B1789868	FLOW CHECK PISTON KIT .068 (M7, M8)
NS	B1789870	FLOW CHECK PISTON KIT .070 (M9, M10)
NS	B1789888	FLOW CHECK PISTON KIT .088 (M11)

Expanded Model Nomenclature

M1 - SSX140181BB
M2 - SSX140181BC
M3 - SSX140241BB
M4 - SSX140241BC
M5 - SSX140301BB
M6 - SSX140301BC
M7 - SSX140361BB
M8 - SSX140361BC
M9 - SSX140421CB
M10 - SSX140421CC
M11 - SSX140601AF

Control Box and Cover



Control Box and Cover

Ref. Part No:	No:	Description:	Ref. Part No:	No:	Description:
---------------	-----	--------------	---------------	-----	--------------

Image 1:

11	0121R00318	LOWER ACCESS PANEL (M11)
11	0121R00319	LOWER ACCESS PANEL (M9, M10)
11	0121R00322	LOWER ACCESS PANEL (M3, M4, M5, M6, M7, M8)
11	0121R00326	LOWER ACCESS PANEL (M1, M2)
21	0121R00053PDG	CONTROL COVER
71	CONT1P025024V	CONTACTOR 25 AMP, 1P, 24V (M1, M2, M3, M4, M5, M6, M7, M8, M9, M10)
71	CONT1P030024V	CONTACTOR 30 AMP, 1P, 24V (M11)
81	CAP050700440RT	CAP, 5/70 MFD/440V/DUAL RD (M11)
81	CAP050300440RS	CAPACITOR 5/30/370V (M1, M2)
81	CAP050350440RS	CAPACITOR 5/35/440V (M3, M4)
81	CAP050400440RT	CAPACITOR 5/40/440V (M5, M6)
81	CAP050450440RT	CAPACITOR 5/45/440V (M7, M8, M9, M10)
91	4400065	CAPACITOR STRAP
NS	0161R00009P	NAMEPLATE

Expanded Model Nomenclature

M1 - SSX140181BB
M2 - SSX140181BC
M3 - SSX140241BB
M4 - SSX140241BC
M5 - SSX140301BB
M6 - SSX140301BC
M7 - SSX140361BB
M8 - SSX140361BC
M9 - SSX140421CB
M10 - SSX140421CC
M11 - SSX140601AF