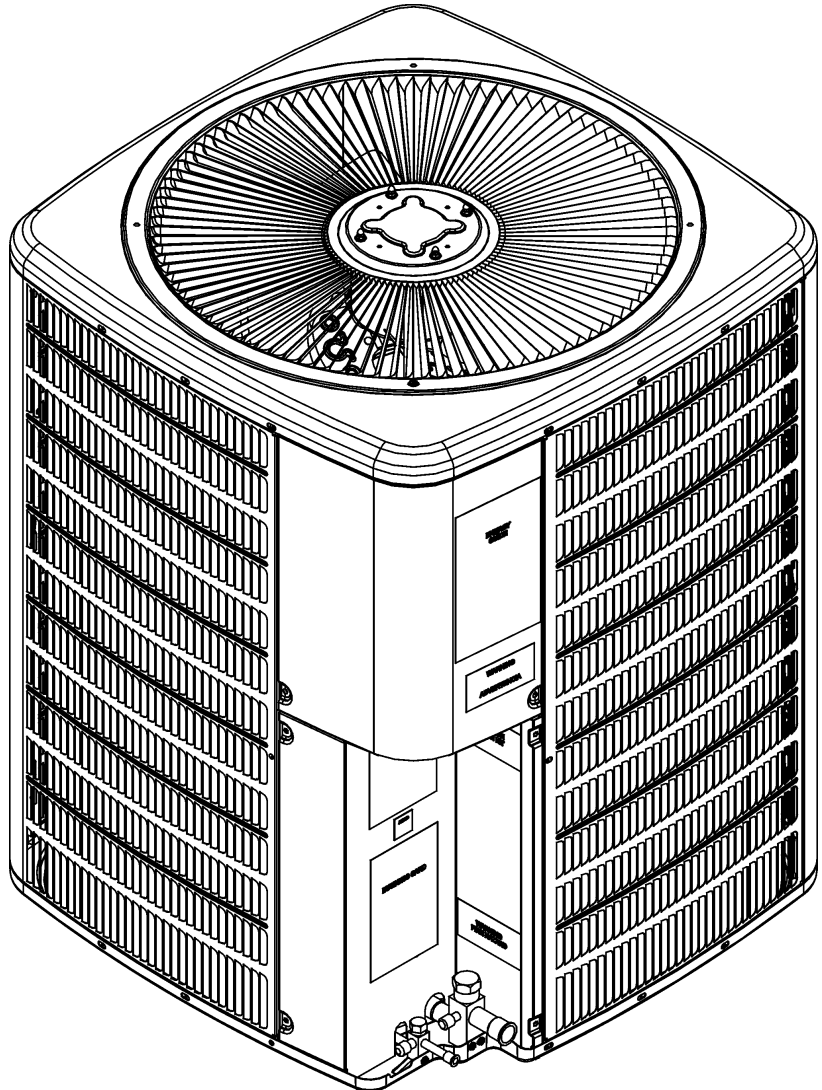


GSC13 Remote Condensing Unit

GSC130181GC
GSC130241FE
GSC130301EF
GSC130361GE
GSC130363BG
GSC130421CE
GSC130481CE
GSC130483CE
GSC130484BG
GSC130601DE
GSC130603CE
GSC130604BG



This manual is to be used by qualified technicians only.

Important Information

Index

Functional Parts List	3
Illustration and Parts	4 - 9

Views shown are for parts illustrations only, not servicing procedures

Text Codes:

AR - As Required

NA - Not Available

NS - Not Shown

00000000 - See Note

QTY - Quantity Example (QTY 3) (If Quantity not shown, Quantity = 1)

M - Model Example (M1) (If M Code not shown, then part is used on all Models)

Expanded Model Nomenclature:

Example M1 - Model#1 M2 - Model#2 M3 - Model#3

Goodman Manufacturing Company, L.P. is not responsible for personal injury or property damage resulting from improper service. Review all service information before beginning repairs.

Warranty service must be performed by an authorized technician, using authorized factory parts. If service is required after the warranty expires, Goodman Manufacturing Company, L.P. also recommends contacting an authorized technician and using authorized factory parts.

Goodman Manufacturing Company, L.P. reserves the right to discontinue, or change at any time, specifications or designs without notice or without incurring obligations.

For assistance within the U.S.A. contact:
Consumer Affairs Department
Goodman Manufacturing Company, L.P.
7401 Security Way
Houston, Texas 77040
877-254-4729-Telephone
713-863-2382-Facsimile

For assistance outside the U.S.A. contact:
International Division
Goodman Manufacturing Company, L.P.
7401 Security Way
Houston, Texas 77040
713-861-2500-Telephone
713-863-2382-Facsimile

Functional Parts

Part No: **Description:**

0151R00079	BASE VALVE 3/4" (M1, M2, M3, M4, M5, M6)
0151R00078	BASE VALVE 3/8"
0151R00080	BASE VALVE 7/8" (M7, M8, M9, M10, M11, M12)
730049-2003-20	BRISTOL, COMPRESSOR (M4)
CAP050500440CT	CAP, 5/50 MFD/440V/DUAL RD (M6)
CAP050550440CT	CAP, 5/55 MFD/440V/DUAL RD (M7)
CAP050600440CT	CAP, 5/60 MFD/440V/DUAL RD (M10)
CAP050350440CS	CAPACITOR 5/35/440V (M1, M2)
CAP050000370LA	CAPACITOR 5/370V (M5, M8, M9, M11, M12)
CAP050400440CT	CAPACITOR 5/40/440V/DUAL RD (M3)
CAP050450440CT	CAPACITOR 5/45/440V/DUAL RD (M4)
ZR25K5EPFV130	COMP, 25300, 208/230/60/1 (M3)
2K22S236SUC	COMP, PANASONIC (M1)
ZR21K5EPFV130	COMP, 21000, 208/230/60/1 (M2)
ZR28K5ETF5130	COMP, 28400, 200/230/60/3 (M5)
ZR32K5EPFV130	COMP, 32000, 208/230/60/1 (M6)
ZR38K5ETF5130	COMP, 38000, 200/230/60/3 (M8)
ZR38K5EPFV130	COMP, 38000, 208/230/60/1 (M7)
ZR38K5ETFD130	COMP, 38000, 460/60/3 (M9)
ZR48K5ETF5130	COMPRESSOR, 48200, 200/230/60/3 (M11)
ZR48K5EPFV130	COMPRESSOR, 48200, 208/230/60/1 (M10)
ZR48K5ETFD130	COMPRESSOR, 48200, 460/60/3 (M12)
0131M00018P	COND MOTOR 1/4 HP, 1 SP, 6 PL (M5, M6, M7, M8, M10, M11)
0131M00060	COND MOTOR 1/6 HP, 1 SP, 8 PL (M4)
0131M00266	COND MOTOR 1/8 HP, 8 PL, PSC (M1)
0131M00593	COND MOTOR, 1/8 HP, ISP, 6PL, AL (M2)
0131M00294	COND MOTOR, 1/8HP, ISP, 6PL (M3)
CONT1P025024V	CONTACTOR 25 AMP, 1P, 24V (M1, M2, M3, M4, M6, M7)
CONT3P025024V	CONTACTOR 25 AMP, 3P, 24V (M5, M8, M9, M11, M12)
CONT1P030024V	CONTACTOR 30 AMP, 1P, 24V (M10)
0150M00018	FAN BLADE 20" (M1)
0150M00008	FAN BLADE 22" TNT2203-25 (M9, M12)
B1086750	FAN BLADE 22", 3 BLADE, 24° (M5, M10, M11)
B1086764	FAN BLADE TYPE 2 (M4)
0150M00030	FAN BLADE, 18" (M2)
0150M00033	FAN BLADE, 20", 3 BLADE, 24DEG (M3)
0150M00006	FAN BLADE, 22" (M6, M7, M8)
0131M00022	MOTOR 1/4 HP, 8 PL, 460V (M9, M12)

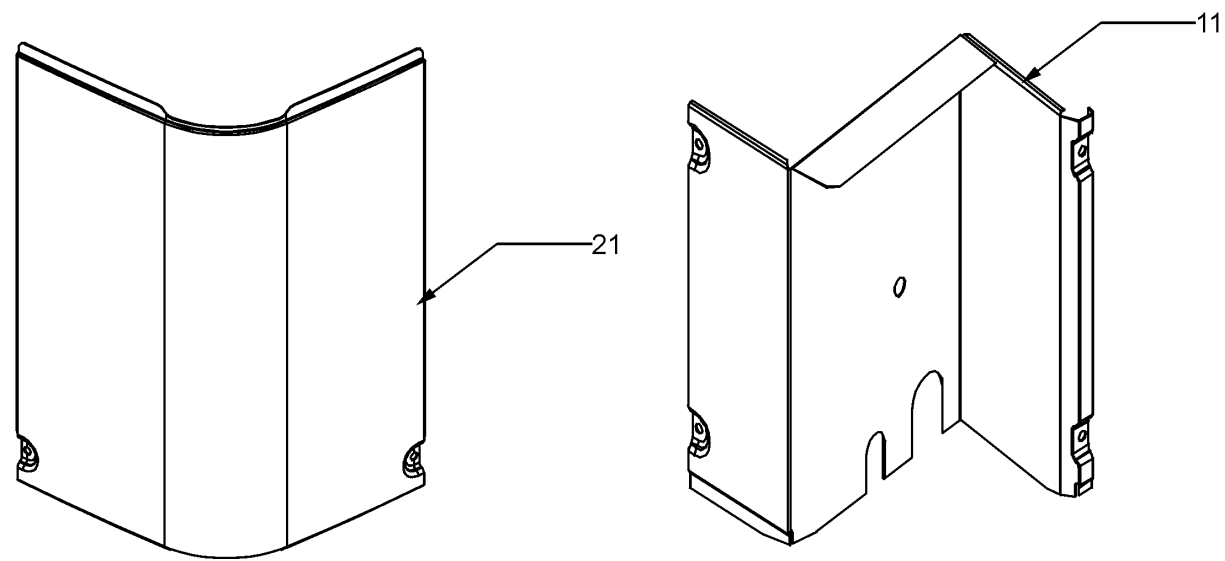
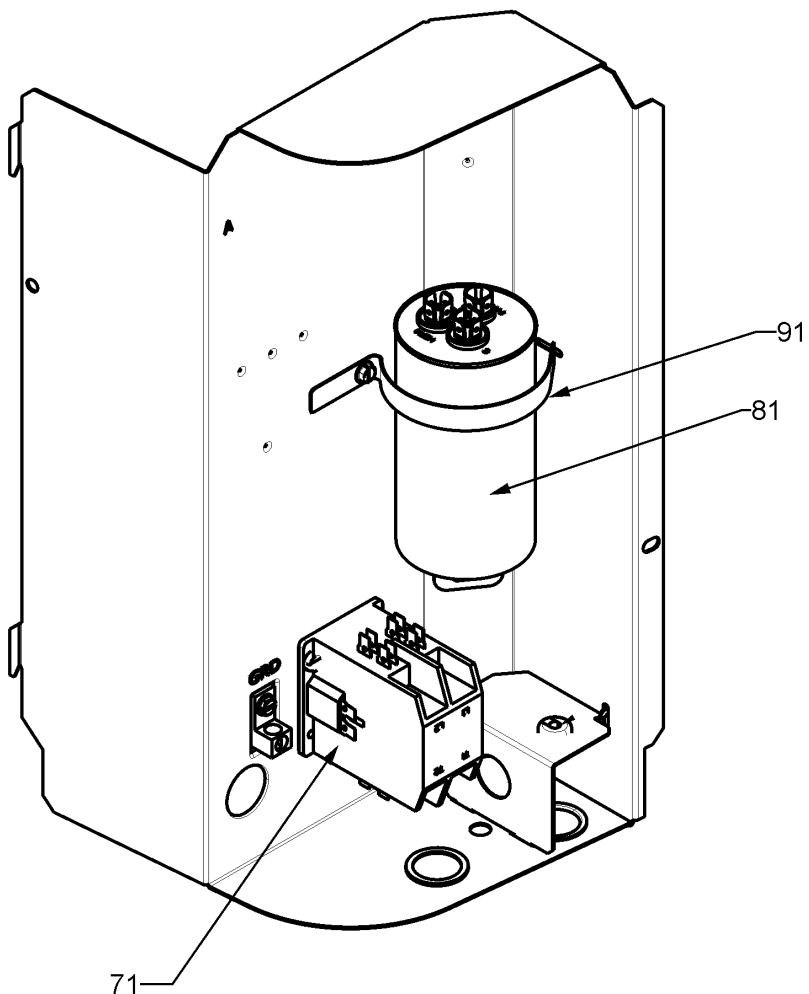
Expanded Model Nomenclature

M1 - GSC130181GC
M2 - GSC130241FE
M3 - GSC130301EF
M4 - GSC130361GE
M5 - GSC130363BG
M6 - GSC130421CE
M7 - GSC130481CE
M8 - GSC130483CE
M9 - GSC130484BG
M10 - GSC130601DE
M11 - GSC130603CE
M12 - GSC130604BG

SPECIAL PARTS

0161R00009P	NAMEPLATE
-------------	-----------

Control Cover/Control Box



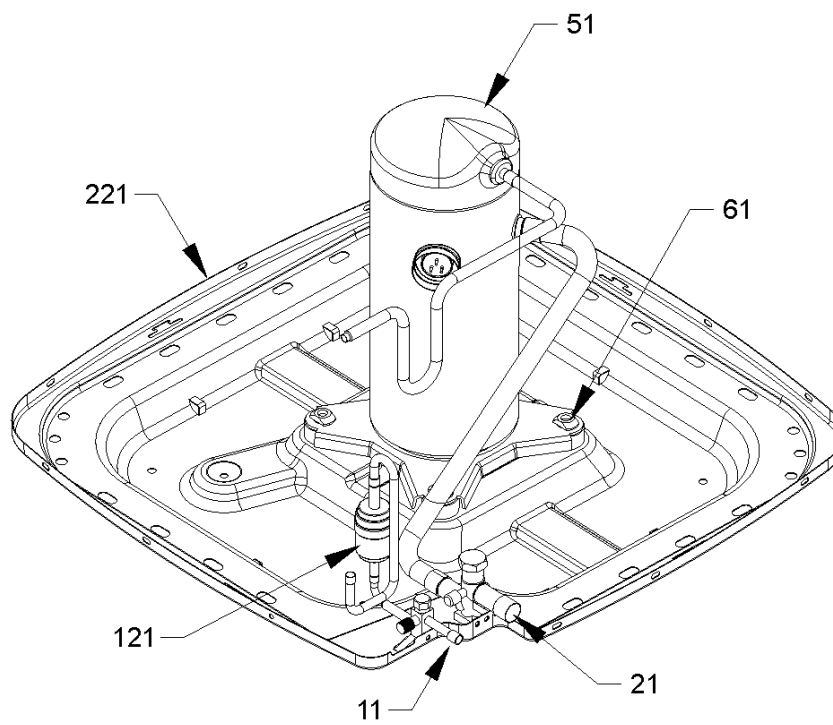
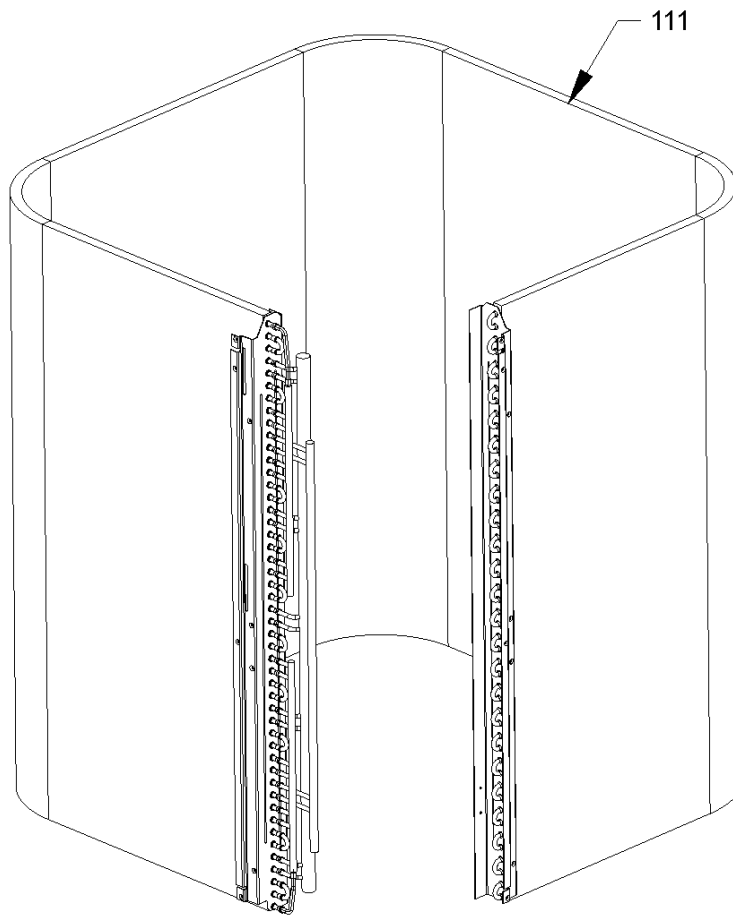
Control Cover/Control Box

Ref. Part No:	Description:	Ref. Part No:	Description:
<i>Image 1:</i>			
11	0121R00265PDG		PANEL, LOWER ACCESS PNT (M2)
11	0121R00316PDG		PANEL, LOWER ACCESS PNT (M10, M11, M12)
11	0121R00319PDG		PANEL, LOWER ACCESS PNT (M7, M8, M9)
11	0121R00326PDG		PANEL, LOWER ACCESS PNT (M1)
11	0121R00663PDG		PANEL, LOWER ACCESS PNT (M3, M4, M5, M6)
21	0121R00053PDG		CONTROL COVER (M1, M3, M4, M5, M6, M7, M8, M9, M10, M11, M12)
21	0121R00268PDG		CONTROL COVER (M2)
71	CONT1P025024V		CONTACTOR 25 AMP, 1P, 24V (M1, M2, M3, M4, M6, M7)
71	CONT3P025024V		CONTACTOR 25 AMP, 3P, 24V (M5, M8, M9, M11, M12)
71	CONT1P030024V		CONTACTOR 30 AMP, 1P, 24V (M10)
81	CAP050500440CT		CAP, 5/50 MFD/440V/DUAL RD (M6)
81	CAP050550440CT		CAP, 5/55 MFD/440V/DUAL RD (M7)
81	CAP050600440CT		CAP, 5/60 MFD/440V/DUAL RD (M10)
81	CAP050350440CS		CAPACITOR 5/35/440V (M1, M2)
81	CAP050000370LA		CAPACITOR 5/370V (M5, M8, M9, M11, M12)
81	CAP050400440CT		CAPACITOR 5/40/440V/DUAL RD (M3)
81	CAP050450440CT		CAPACITOR 5/45/440V/DUAL RD (M4)
91	4400065		CAPACITOR STRAP

Expanded Model Nomenclature

M1 - GSC130181GC
M2 - GSC130241FE
M3 - GSC130301EF
M4 - GSC130361GE
M5 - GSC130363BG
M6 - GSC130421CE
M7 - GSC130481CE
M8 - GSC130483CE
M9 - GSC130484BG
M10 - GSC130601DE
M11 - GSC130603CE
M12 - GSC130604BG

Coil/Compressor/Tubing Assembly



Coil/Compressor/Tubing Assembly

Ref. Part

No: No:

Description:

Ref. Part

No: No:

Description:

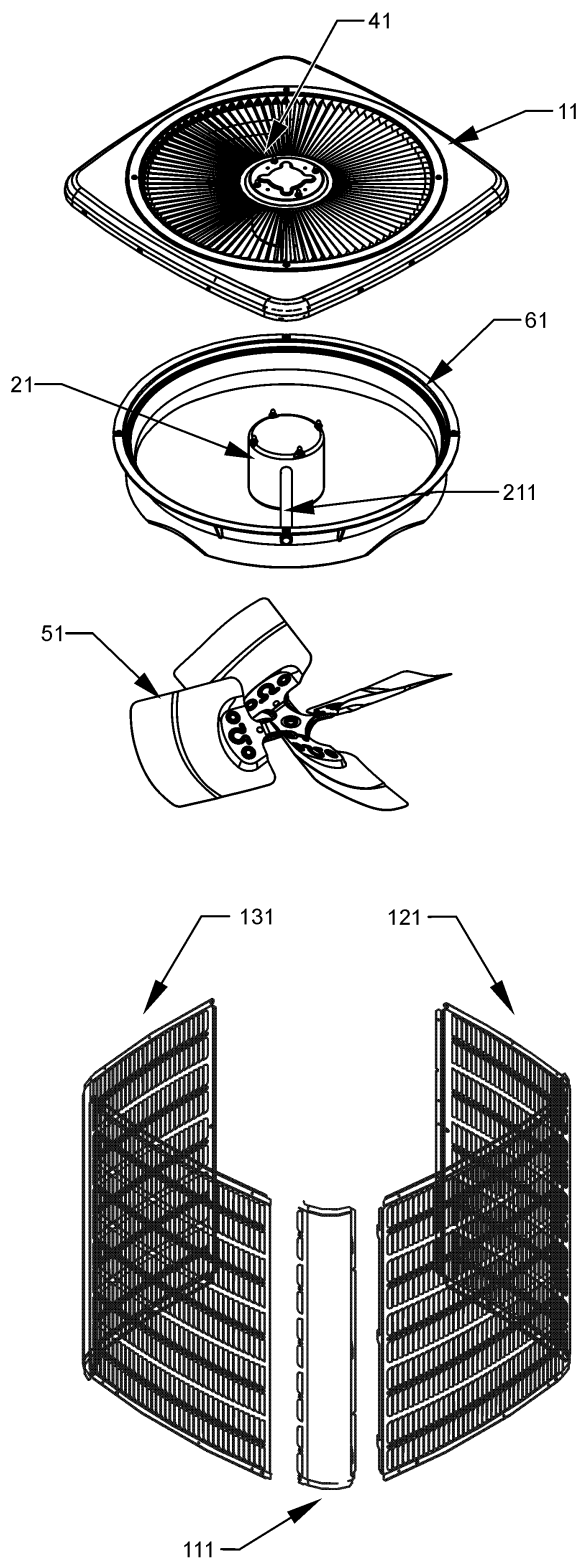
Image 1:

11	0151R00078	BASE VALVE 3/8"
21	0151R00079	BASE VALVE 3/4" (M1, M2, M3, M4, M5, M6)
21	0151R00080	BASE VALVE 7/8" (M7, M8, M9, M10, M11, M12)
51	730049-2003-20	BRISTOL, COMPRESSOR (M4)
51	ZR25K5EPFV130	COMP, 25300, 208/230/60/1 (M3)
51	2K22S236SUC	COMP, PANASONIC (M1)
51	ZR21K5EPFV130	COMP, 21000, 208/230/60/1 (M2)
51	ZR28K5ETF5130	COMP, 28400, 200/230/60/3 (M5)
51	ZR32K5EPFV130	COMP, 32000, 208/230/60/1 (M6)
51	ZR38K5ETF5130	COMP, 38000, 200/230/60/3 (M8)
51	ZR38K5EPFV130	COMP, 38000, 208/230/60/1 (M7)
51	ZR38K5ETFD130	COMP, 38000, 460/60/3 (M9)
51	ZR48K5ETF5130	COMPRESSOR, 48200, 200/230/60/3 (M11)
51	ZR48K5EPFV130	COMPRESSOR, 48200, 208/230/60/1 (M10)
51	ZR48K5ETFD130	COMPRESSOR, 48200, 460/60/3 (M12)
61	B1339533	COMPRESSOR GROMMET (M2, M3, M4, M5, M6, M7, M8, M9, M10, M11, M12)
61	0164M00000P	COMPRESSOR GROMMET-PANASONIC (M1)
111	0201R00530	COIL TUBING ASSY (M1)
111	0201R00534	COIL TUBING ASSY (M3)
111	0201R00484	TUBING ASSY, COND COIL (M7)
111	0201R00488	TUBING ASSY, COND COIL (M8, M9)
111	0201R00523	TUBING ASSY, COND COIL (M4, M5, M6)
111	0201R00524	TUBING ASSY, COND COIL (M10, M11, M12)
111	0201R00527	TUBING ASSY, COND COIL (M2)
121	B1219212	SINGLE-FLOW FILTER DRIER, STEEL
221	0121R00272PDG	BASE PAN 23" (M2)
221	0121R00005PDG	BASE PAN 26" (M1, M3)
221	0121R00006PDG	BASE PAN 29" (M4, M5, M6, M7, M8, M9, M10, M11, M12)
NS	0159R00000P	COMPRESSOR SCROLL HARNESS (M2, M3)
NS	0159R00001P	COMPRESSOR SCROLL HARNESS (M6, M7, M10)
NS	0159R00008	COMPRESSOR SCROLL HARNESS (M8, M9, M11, M12)
NS	0159R00009	COMPRESSOR SCROLL HARNESS (M5)
NS	B1789890	FLOW CHECK PISTON KIT (M10, M11, M12)
NS	B1789855	FLOW CHECK PISTON KIT .055 (M1)
NS	B1789861	FLOW CHECK PISTON KIT .061 (M2)
NS	B1789865	FLOW CHECK PISTON KIT .065 (M3)
NS	B1789871	FLOW CHECK PISTON KIT .071 (M5)
NS	B1789874	FLOW CHECK PISTON KIT .074 (M4)
NS	B1789876	FLOW CHECK PISTON KIT .076 (M6)
NS	B1789882	FLOW CHECK PISTON KIT .082 (M7, M8, M9)
NS	0161R00009P	NAMEPLATE
NS	M0221641	TF SHOULDER SCREW (QTY 4)

Expanded Model Nomenclature

M1 - GSC130181GC
M2 - GSC130241FE
M3 - GSC130301EF
M4 - GSC130361GE
M5 - GSC130363BG
M6 - GSC130421CE
M7 - GSC130481CE
M8 - GSC130483CE
M9 - GSC130484BG
M10 - GSC130601DE
M11 - GSC130603CE
M12 - GSC130604BG

Cabinet Top/Side Panels



Cabinet Top/Side Panels

Ref. Part No:	Ref. Part No:	Description:	Description:
---------------	---------------	--------------	--------------

Image 1:

11	0121R00270PDG	PANEL, TOP PNT (M2)
11	0121R00008PDG	TOP PANEL 26" (M1, M3)
11	0121R00010PDG	TOP PANEL 29" (M4, M5, M6, M7, M8, M9, M10, M11, M12)
21	0131M00018P	COND MOTOR 1/4 HP, 1 SP, 6 PL (M5, M6, M7, M8, M10, M11)
21	0131M00060	COND MOTOR 1/6 HP, 1 SP, 8 PL (M4)
21	0131M00266	COND MOTOR 1/8 HP, 8 PL, PSC (M1)
21	0131M00593	COND MOTOR, 1/8 HP, ISP, 6PL, AL (M2)
21	0131M00294	COND MOTOR, 1/8HP, ISP, 6PL (M3)
21	0131M00022	MOTOR 1/4 HP, 8 PL, 460V (M9, M12)
41	0163M00006P	ACORN NUT 5/16 HEX BLACK (QTY 4)
51	0150M00018	FAN BLADE 20" (M1)
51	0150M00008	FAN BLADE 22" TNT2203-25 (M9, M12)
51	B1086750	FAN BLADE 22", 3 BLADE, 24° (M5, M10, M11)
51	B1086764	FAN BLADE TYPE 2 (M4)
51	0150M00030	FAN BLADE, 18" (M2)
51	0150M00033	FAN BLADE, 20", 3 BLADE, 24DEG (M3)
51	0150M00006	FAN BLADE, 22" (M6, M7, M8)
61	0161L00000	VENTURI RING 22" (M4, M5, M6, M7, M8, M9, M10, M11, M12)
211	0161R00001P	CONDUIT (M1, M3)
211	0161R00002P	CONDUIT (M4, M5, M6, M7, M8, M9, M10, M11, M12)

Image 2:

112	0121R00280PDG	Louver Post, 23_25.2, PNT DG (M2)
112	0121R00347PDG	Louver Post, PDG 23.73 (M1)
112	0121R00350PDG	Louver Post, PDG 28.73 (M3, M4, M5, M6)
112	0121R00352PDG	Louver Post, PDG 32.51 (M7, M8, M9)
112	0121R00354PDG	Louver Post, PDG 36.30 (M10, M11, M12)
122	0121R00274PDGRS	Louver Panel, 23_25.2, PNT DG (M2)
122	0121R00336PDGRS	Louver Panel, PDG 26"_23.73 (M1)
122	0121R00337PDGRS	Louver Panel, PDG 26"_28.73 (M3)
122	0121R00342PDGRS	Louver Panel, PDG 29"_28.73 (M4, M5, M6)
122	0121R00344PDGRS	Louver Panel, PDG 29"_32.51 (M7, M8, M9)
122	0121R00346PDGRS	Louver Panel, PDG 29"_36.30 (M10, M11, M12)
132	0121R00274PDGLS	Louver Panel, 23_25.2, PNT DG (M2)
132	0121R00336PDGLS	Louver Panel, PDG 26"_23.73 (M1)
132	0121R00337PDGLS	Louver Panel, PDG 26"_28.73 (M3)
132	0121R00342PDGLS	Louver Panel, PDG 29"_28.73 (M4, M5, M6)
132	0121R00344PDGLS	Louver Panel, PDG 29"_32.51 (M7, M8, M9)
132	0121R00346PDGLS	Louver Panel, PDG 29"_36.30 (M10, M11, M12)

Expanded Model Nomenclature

- | |
|-------------------|
| M1 - GSC130181GC |
| M2 - GSC130241FE |
| M3 - GSC130301EF |
| M4 - GSC130361GE |
| M5 - GSC130363BG |
| M6 - GSC130421CE |
| M7 - GSC130481CE |
| M8 - GSC130483CE |
| M9 - GSC130484BG |
| M10 - GSC130601DE |
| M11 - GSC130603CE |
| M12 - GSC130604BG |