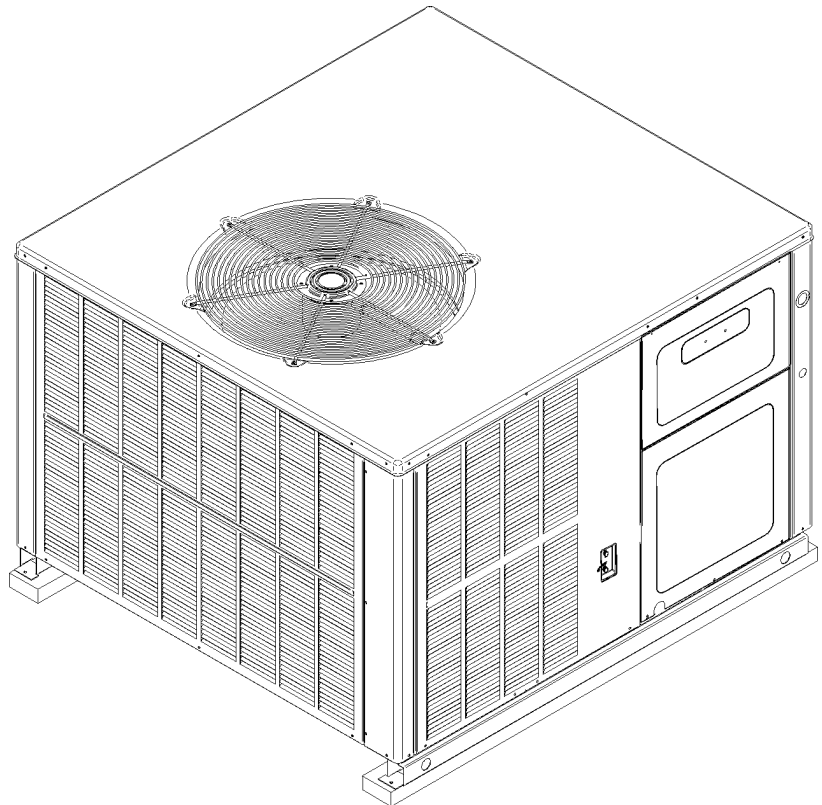


**GPH14 Multi-Position Residential Package Heat Pump**

GPH1424M41AA  
GPH1424M41AB  
GPH1430M41AA  
GPH1430M41AB  
GPH1436M41AA  
GPH1436M41AB  
GPH1442M41AA  
GPH1442M41AB  
GPH1448M41AA  
GPH1448M41AB  
GPH1460M41AA  
GPH1460M41AB



This manual is to be used by qualified technicians only.

This manual replaces RP-G3003.

© 2014 , 2016 Goodman Company, L.P. ♦ 5151 San Felipe St., Suite 500 ♦ Houston, TX 77056

# Important Information

---

## Index

Functional Parts List .....	3
Illustration and Parts .....	4 - 11

*Views shown are for parts illustrations only, not servicing procedures*

### Text Codes:

AR - As Required

NA - Not Available

NS - Not Shown

00000000 - See Note

QTY - Quantity Example (QTY 3) (If Quantity not shown, Quantity = 1)

M - Model Example (M1) (If M Code not shown, then part is used on all Models)

### Expanded Model Nomenclature:

Example M1 - Model#1 M2 - Model#2 M3 - Model#3
---

Goodman Company, L.P. is not responsible for personal injury or property damage resulting from improper service. Review all service information before beginning repairs.

Warranty service must be performed by an authorized technician, using authorized factory parts. If service is required after the warranty expires, Goodman Company, L.P. also recommends contacting an authorized technician and using authorized factory parts.

Goodman Company, L.P. reserves the right to discontinue, or change at any time, specifications or designs without notice or without incurring obligations.

For assistance within the U.S.A. contact:

Consumer Affairs Department

Goodman Company, L.P.

7401 Security Way

Houston, Texas 77040

877-254-4729-Telephone

713-863-2382-Facsimile

For assistance outside the U.S.A. contact:

International Division

Goodman Company, L.P.

7401 Security Way

Houston, Texas 77040

713-861-2500-Telephone

713-863-2382-Facsimile

# Functional Parts

**Part No:**      **Description:**

D6723303	BLOWER WHEEL
CAP100400440CT	CAP, 10/40 MFD, 440V/ DUAL RD (M11, M12)
CAP050400440CT	CAPACITOR 5/40/440V/DUAL RD (M1, M2, M3, M4)
CAP050450440CT	CAPACITOR 5/45/440V/DUAL RD (M5, M6, M7, M8)
CAP050700440CT	CAPACITOR 5/70/440V/DUAL RD (M9, M10)
ZP42K5EPFV130	COMP, 42000, 208/230/60/1 (M9, M10)
ZPS51K5EPFV130	COMP, 51900/208/230/60/1 (M11, M12)
ZP21K5EPFV130	COMPRESSOR 21300, 208/230/60/1 (M1, M2)
ZP25K5EPFV130	COMPRESSOR 25200, 208/230/60/1 (M3, M4)
ZP31K5EPFV130	COMPRESSOR 31100, 208/230/60/1 (M5, M6)
ZP36K5EPFV130	COMPRESSOR 36200, 208/230/60/1 (M7, M8)
0131M00430	COND MOTOR 1/3 HP, 1 SP, 6 PL (M11, M12)
0131M00061	COND MOTOR 1/4 HP, 1 SP, 8 PL (M1, M2, M3, M4)
0131M00429	COND MOTOR 1/4 HP, 1 SP, 6 PL (M5, M6, M7, M8, M9, M10)
CONT1P025024V	CONTACTOR 25 AMP, 1P, 24V (M1, M2, M3, M4, M5, M6, M7, M8)
CONT2P040024V	CONTACTOR 40 AMP, 2P, 24V (M9, M10, M11, M12)
0130M00197	CONTROL, DEFROST
0130L00096	CRANK CASE HEATER-70W 240V (M11, M12)
0130M00074	CUT-OUT SWITCH, HIGH PRESSURE
0130M00075	CUT-OUT SWITCH, LOW PRESSURE
PCBDM133	DEFROST CONTROL BOARD
0150G00004	FAN BLADE (M5, M6)
0150M00008	FAN BLADE 22" TNT2203-25 (M1, M2, M3, M4)
0150G00002	FAN BLADE SWEPT-WING (M7, M8, M9, M10)
0150M00011	FAN BLADE SWEPT-WING (M11, M12)
0131G00029	PROGRAMMED MOTOR (M3, M4)
0131G00033	PROGRAMMED MOTOR (M11, M12)
0131G00032	PROGRAMMED MOTOR (M9, M10)
0131G00030	PROGRAMMED MOTOR (M5, M6)
0131G00028	PROGRAMMED MOTOR (M1, M2)
0131G00031	PROGRAMMED MOTOR (M7, M8)
0130M00242	RELAY, 24V (M11, M12)
0151R00069	REVERSING VALVE (M1, M2, M3, M4)
0151R00071	REVERSING VALVE (M5, M6, M7, M8, M9, M10, M11, M12)
B1225022	SOLENOID COIL
0130M00199	SWITCH, CRANK CASE HEATER (M11, M12)
0130M00138	TRANSFORMER 208/230, 24V

## Expanded Model Nomenclature

M1 - GPH1424M41AA
M2 - GPH1424M41AB
M3 - GPH1430M41AA
M4 - GPH1430M41AB
M5 - GPH1436M41AA
M6 - GPH1436M41AB
M7 - GPH1442M41AA
M8 - GPH1442M41AB
M9 - GPH1448M41AA
M10 - GPH1448M41AB
M11 - GPH1460M41AA
M12 - GPH1460M41AB

# Cabinet Assembly

Image 1

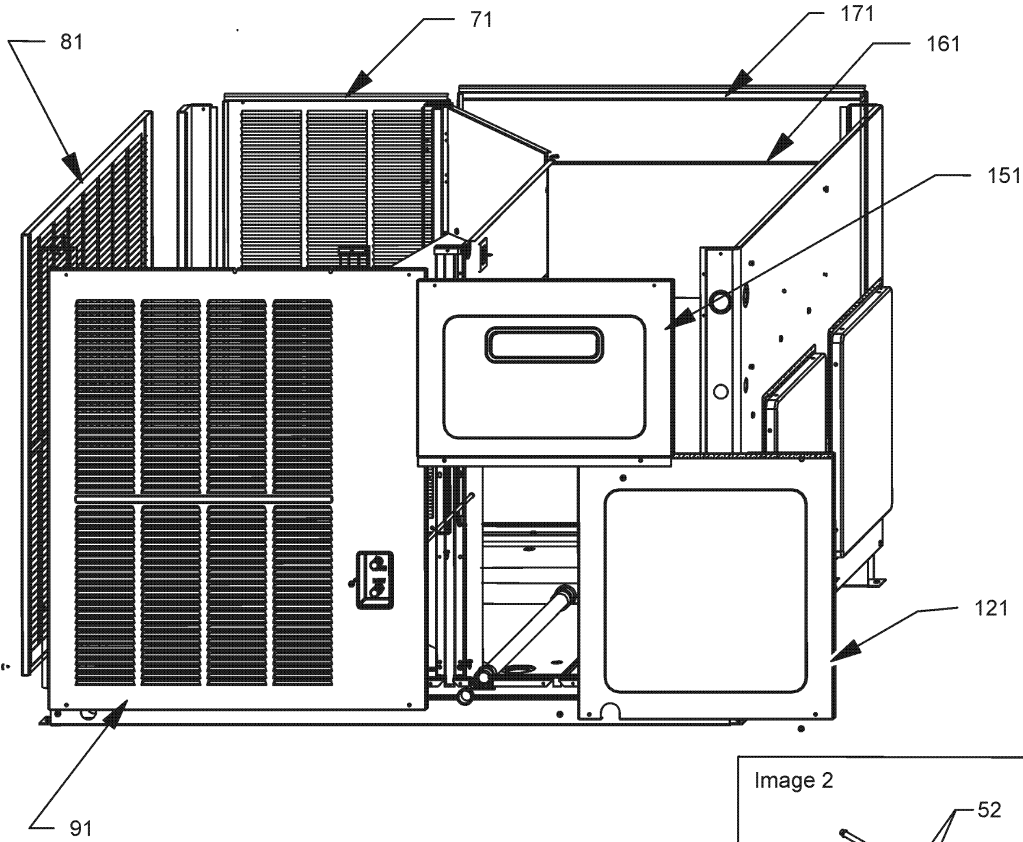
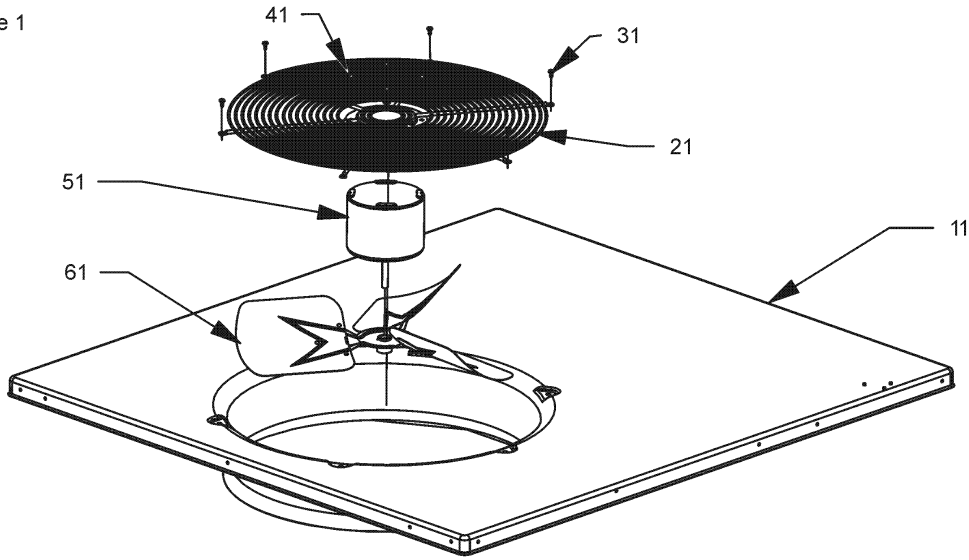
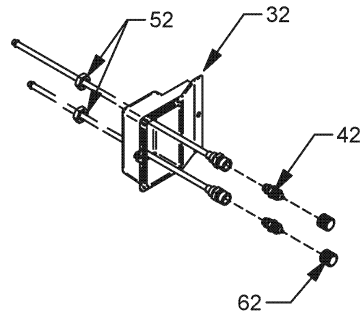


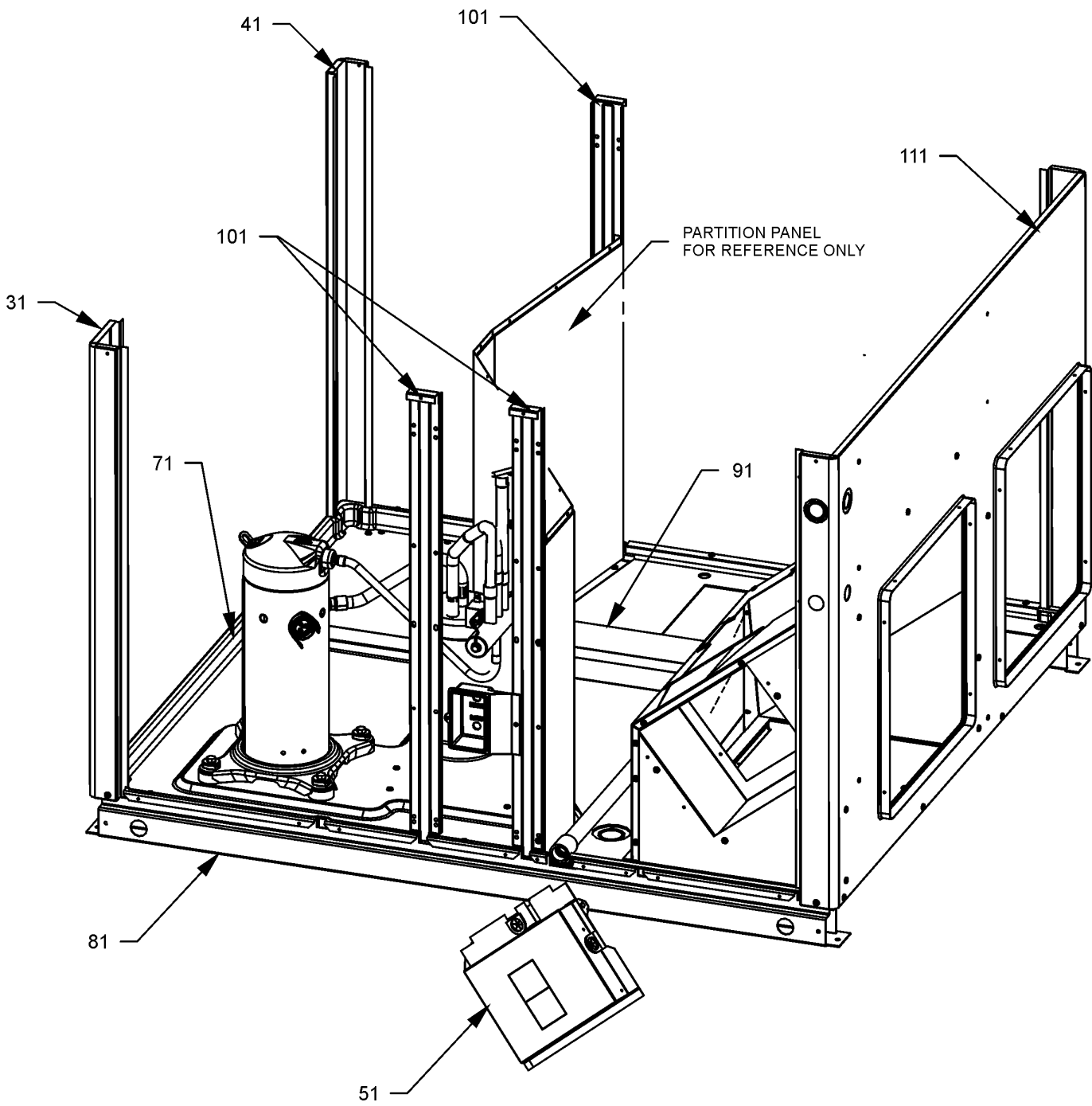
Image 2



# Cabinet Assembly

Ref. Part No:	No:	Description:	Ref. Part No:	No:	Description:
<b>Image 1:</b>			<b>Expanded Model Nomenclature</b>		
11	0121G00156PDG	PNL, TOP, PNT	M1	-	GPH1424M41AA
21	0152G00003	FAN GRILLE (M1, M2, M3, M4)	M2	-	GPH1424M41AB
21	0152G00000	FAN GRILLE, RAISED (M5, M6, M7, M8, M9, M10, M11, M12)	M3	-	GPH1430M41AA
31	B1393530	SCREW HWH,10 X 1/2, A, YZD, SLOT, SR (M11, M12)	M4	-	GPH1430M41AB
31	M0221817	SMALL SCREW (M1, M2, M3, M4, M5, M6, M7, M8, M9, M10)	M5	-	GPH1436M41AA
41	0163M00006P	ACORN NUT 5/16 HEX BLACK (QTY 4)	M6	-	GPH1436M41AB
51	0131M00430	COND MOTOR 1/3 HP, 1 SP, 6 PL (M11, M12)	M7	-	GPH1442M41AA
51	0131M00061	COND MOTOR 1/4 HP, 1 SP, 8 PL (M1, M2, M3, M9, M10)	M8	-	GPH1442M41AB
51	0131M00429	COND MOTOR 1/4 HP, 1 SP,6 PL (M5, M6, M7, M8, M9, M10)	M9	-	GPH1448M41AA
61	0150G00004	FAN BLADE (M5, M6)	M10	-	GPH1448M41AB
61	0150M00008	FAN BLADE 22" TNT2203-25 (M1, M2, M3, M4)	M11	-	GPH1460M41AA
61	0150G00002	FAN BLADE SWEPT-WING (M7, M8, M9, M10)	M12	-	GPH1460M41AB
61	0150M00011	FAN BLADE SWEPT-WING (M11, M12)			
71	20467701PDG	LOUVERED PANEL, COND SIDE 32" (M1, M2, M3, M4, M5, M6, M7, M8)			
71	20467702PDG	LOUVERED PANEL, COND SIDE 40" (M9, M10, M11, M12)			
81	20464401PDG	LOUVERED PANEL, COND SIDE 32" (M1, M2, M3, M4, M5, M6, M7, M8)			
81	20464402PDG	LOUVERED PANEL, COND SIDE 40" (M9, M10, M11, M12)			
91	0121G00661DG	COMPRESSOR PANEL (M12)			
91	0121G00662DG	COMPRESSOR PANEL (M2, M4, M6, M8)			
91	0121G00663DG	COMPRESSOR PANEL (M10)			
91	0121G00147PDG	LOUVERED PANEL 4 BANK 40", COMP SIDE (M11)			
91	0121G00223DG	SOLID PANEL COMPRESSOR 32.5" (M1, M3, M5, M7)			
91	0121G00224DG	SOLID PANEL COMPRESSOR 40" (M9)			
121	0121G00165PDG	PNL, BLO, CNVRT, 32.5", PNT (M1, M2, M3, M4, M5, M6, M7, M8)			
121	0121G00168PDG	PNL, BLO, CNVRT, 40", PNT (M9, M10, M11, M12)			
151	0121G00213DG	CONTROL BOX PANEL			
161	0121G00591	BLK-OFF, EVAP, TOP, CNVRT (M9, M10, M11, M12)			
161	0121G00592	BLK-OFF, EVAP, TOP, CNVRT (M1, M2, M3, M4, M5, M6, M7, M8)			
171	20464801PDG	BLOWER DOOR 32" (M1, M2, M3, M4, M5, M6, M7, M8)			
171	20464806PDG	BLOWER DOOR 40" (M9, M10, M11, M12)			
NS	0121G00235	FAN BAFFLE			
NS	0164G00005	GROMMET-HORSESHOE 1.675 (M2, M4, M6, M8, M10, M12)			
NS	17788000083F	PVC CONDUIT 8.25"			
<b>Image 2:</b>					
32	0161G00008	ACCESS-FITTING BOX (M1, M3, M5, M7, M9, M11)			
42	B1373315	ACCESS FITTING (QTY 2)			
52	0163G00000P	FASTEST FITTING NUT (M1, M3, M5, M7, M9, M11)			
62	0163M00175	CAP WITH O-RING (QTY 2)			

# Panels and Supports



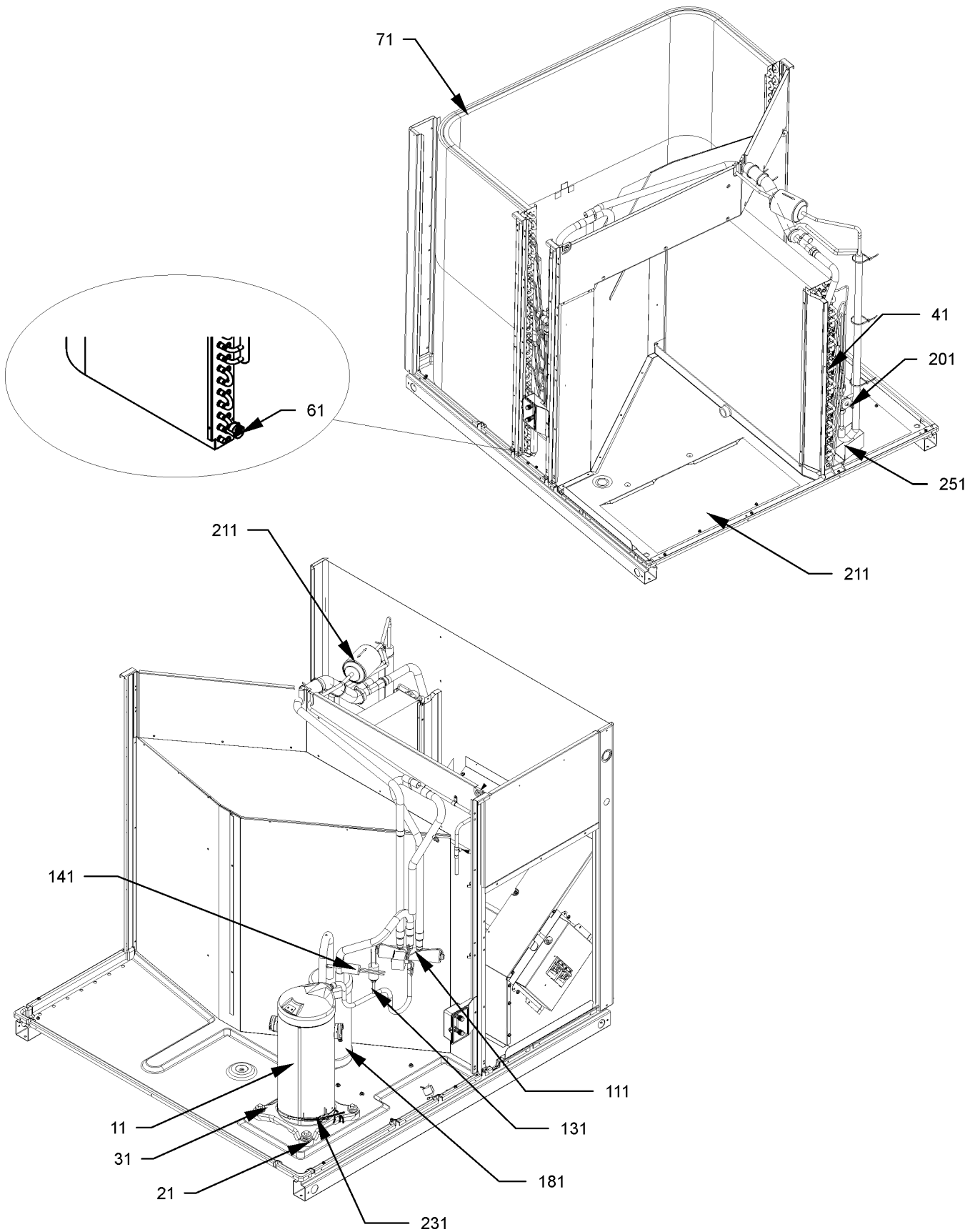
# Panels and Supports

Ref. Part No:	No:	Description:	Ref. Part No:	No:	Description:
<b>Image 1:</b>					
31	20464201PDG	CORNER POST-COMP END 32" (M1, M2, M3, M4, M5, M6, M7, M8)			
31	20464202PDG	CORNER POST-COMP END 40" (M9, M10, M11, M12)			
41	20464301PDG	CORNER POST-HAIRPIN END 32" (M1, M2, M3, M4, M5, M6, M7, M8)			
41	20464302PDG	CORNER POST-HAIRPIN END 40" (M9, M10, M11, M12)			
51	0121G00528	COVER, HK (QTY 2)			
71	0121G00290	BASE PAN RAIL (QTY 2)			
81	0121G00444	BASEPAN, PACKAGE			
91	0161G00003	PLASTIC DRIP PAN			
101	0121G00460	POST-SUPPORT, SIDE (M1, M2, M3, M4, M5, M6, M7, M8)			
101	0121G00462	POST-SUPPORT, SIDE (M9, M10, M11, M12)			
111	0121G00671DG	PNL, DUCT, CNVRT, 32.5" PNT (M1, M2, M3, M4, M5, M6, M7, M8)			
111	0121G00672DG	PNL, DUCT, CNVRT, 40" PNT (M9, M10, M11, M12)			

## Expanded Model Nomenclature

M1 - GPH1424M41AA
M2 - GPH1424M41AB
M3 - GPH1430M41AA
M4 - GPH1430M41AB
M5 - GPH1436M41AA
M6 - GPH1436M41AB
M7 - GPH1442M41AA
M8 - GPH1442M41AB
M9 - GPH1448M41AA
M10 - GPH1448M41AB
M11 - GPH1460M41AA
M12 - GPH1460M41AB

# Tubing & Coil Assemblies





# Tubing & Coil Assemblies

Ref. Part No: No:	Description:	Ref. Part No: No:	Description:
<b>Image 1:</b>		<b>Expanded Model Nomenclature</b>	
11	ZP42K5EPFV130	COMP, 42000, 208/230/60/1 (M9, M10)	M1 - GPH1424M41AA
11	ZPS51K5EPFV130	COMP, 51900/208/230/60/1 (M11, M12)	M2 - GPH1424M41AB
11	ZP21K5EPFV130	COMPRESSOR 21300, 208/230/60/1 (M1, M2)	M3 - GPH1430M41AA
11	ZP25K5EPFV130	COMPRESSOR 25200, 208/230/60/1 (M3, M4)	M4 - GPH1430M41AB
11	ZP31K5EPFV130	COMPRESSOR 31100, 208/230/60/1 (M5, M6)	M5 - GPH1436M41AA
11	ZP36K5EPFV130	COMPRESSOR 36200, 208/230/60/1 (M7, M8)	M6 - GPH1436M41AB
21	B1339533	COMPRESSOR GROMMET (QTY 4)	M7 - GPH1442M41AA
31	M0221641	TF SHOULDER SCREW (QTY 4)	M8 - GPH1442M41AB
41	0202G00542	EVAP COIL ASSY (M11, M12)	M9 - GPH1448M41AA
41	0202G00576	EVAP COIL ASSY (M1, M2)	M10 - GPH1448M41AB
41	0202G00577	EVAP COIL ASSY (M3, M4)	M11 - GPH1460M41AA
41	0202G00578	EVAP COIL ASSY (M5, M6)	M12 - GPH1460M41AB
41	0202G00579	EVAP COIL ASSY (M7, M8)	
41	0202G00580	EVAP COIL ASSY (M9, M10)	
61	0130M00197	CONTROL, DEFROST	
71	0201G00323	COND COIL ASSY (M3, M4)	
71	0201G00328	COND COIL ASSY (M5, M6, M7, M8)	
71	0201G00331	COND COIL ASSY (M11)	
71	0201G00337	COND COIL ASSY (M1, M2)	
71	0201G00339	COND COIL ASSY (M9, M10)	
71	0201G00405	COND COIL ASSY (M12)	
111	0151R00069	REVERSING VALVE (M1, M2, M3, M4)	
111	0151R00071	REVERSING VALVE (M5, M6, M7, M8, M9, M10, M11, M12)	
131	0130M00074	CUT-OUT SWITCH, HIGH PRESSURE	
141	0130M00075	CUT-OUT SWITCH, LOW PRESSURE	
181	B1226206	ACCUMULATOR (M1, M2, M3, M4)	
181	B1226207	ACCUMULATOR .875 (M5, M6, M7, M8, M9, M10, M11, M12)	
201	0151M00050	VALVE, NXT (M11, M12)	
211	20485201	BI-FLOW FILTER DRIER (M1, M2, M3, M4, M5, M6, M7, M8, M9, M10)	
231	0130L00096	CRANK CASE HEATER-70W 240V (M11, M12)	
241	0121G00148	SINGLE COVER, DOWN DISCHARGE (QTY 2)	
251	0121G00509	DRIP SHIELD	
NS	0159G00002	COMPRESSOR SCROLL HARNESS (M1, M2, M3, M4, M5, M6, M7, M8, M9, M10)	
NS	0159G00004	COMPRESSOR SCROLL HARNESS (M11, M12)	
NS	0159G00001	COMPRESSOR SOLENOID CABLE (M11, M12)	
NS	0162M00055	FLOWRATOR [COND] (M11, M12)	
NS	0162M00291	FLOWRATOR [COND] (M9, M10)	
NS	0162M00292	FLOWRATOR [COND] (M5, M6, M7, M8)	
NS	0162M00336	FLOWRATOR [COND] (M1, M2)	
NS	0162M00337	FLOWRATOR [COND] (M3, M4)	
NS	0162M00315	FLOWRATOR, AL [EVAP] (M1, M2)	
NS	0162M00316	FLOWRATOR, AL [EVAP] (M3, M4)	
NS	0162M00318	FLOWRATOR, AL [EVAP] (M5, M6)	
NS	0162M00319	FLOWRATOR, AL [EVAP] (M7, M8)	
NS	0162M00321	FLOWRATOR, AL [EVAP] (M9, M10)	
NS	0162M00325	FLOWRATOR, AL [EVAP] (M11, M12)	
NS	B1225022	SOLENOID COIL	
NS	0130M00199	SWITCH, CRANK CASE HEATER (M11, M12)	

# Control Panel & Blower Assembly

Image 1

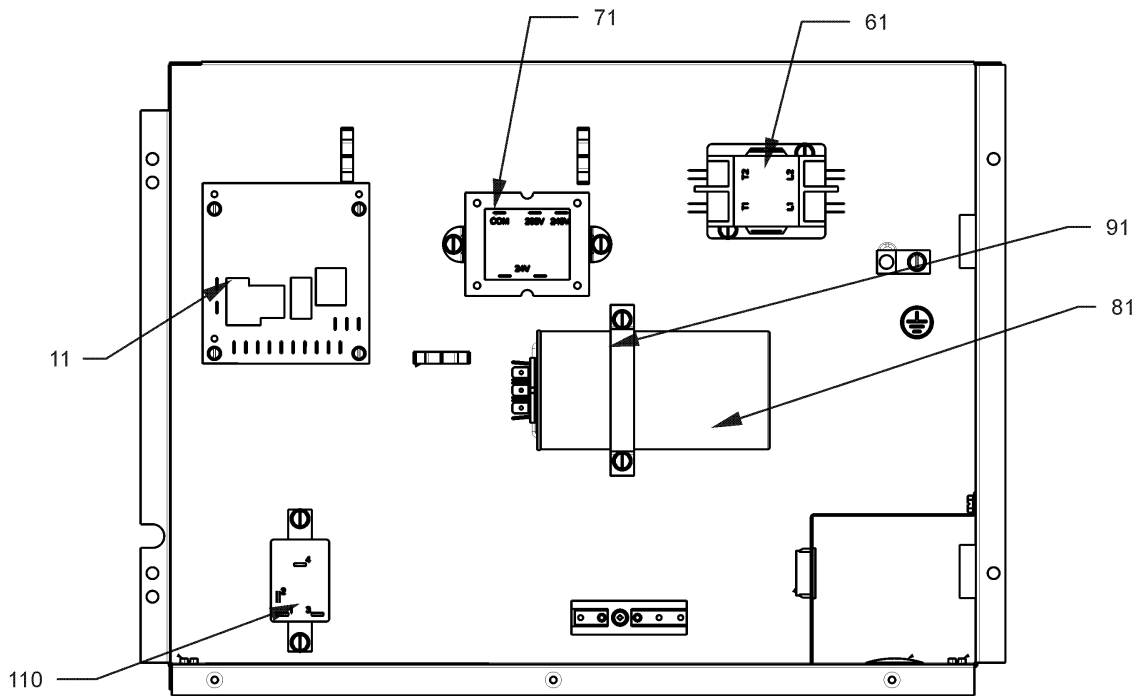
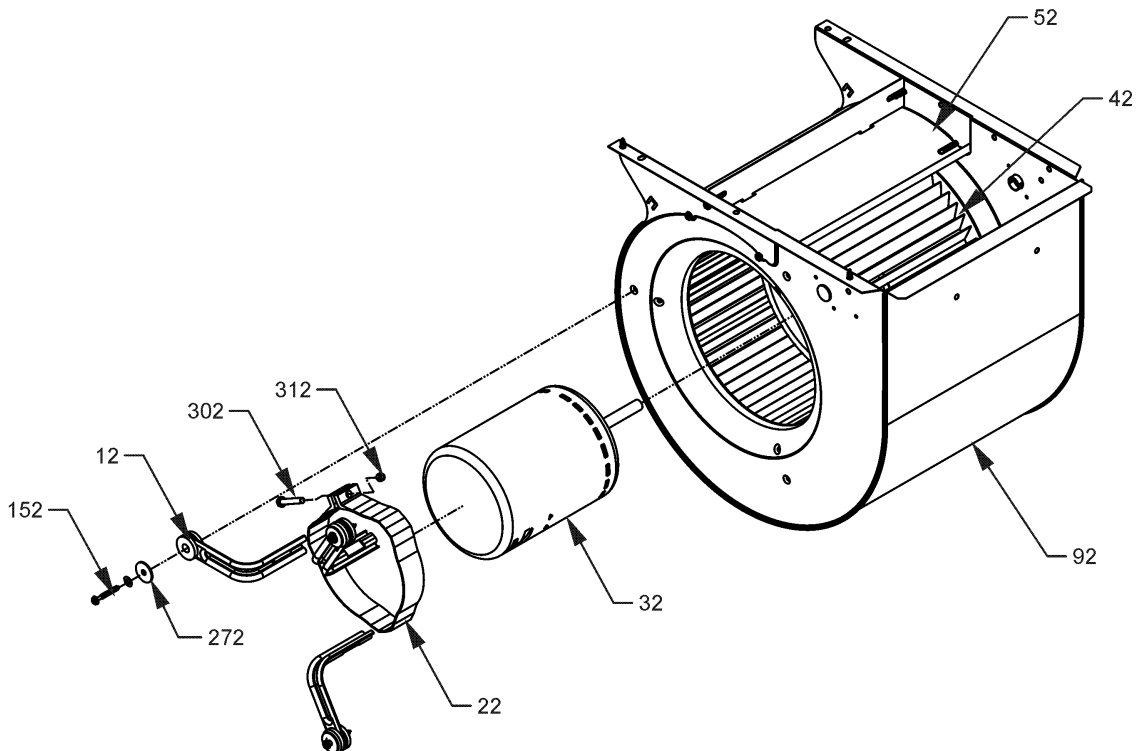


Image 2



# Control Panel & Blower Assembly

Ref. Part No: No:	Description:	Ref. Part No: No:	Description:
-------------------	--------------	-------------------	--------------

**Image 1:**

11	PCBDM133	DEFROST CONTROL BOARD
61	CONT1P025024V	CONTACTOR 25 AMP, 1P, 24V (M1, M2, M3, M4, M5, M6, M7, M8)
61	CONT2P040024V	CONTACTOR 40 AMP, 2P, 24V (M9, M10, M11, M12)
71	0130M00138	TRANSFORMER 208/230, 24V
81	CAP100400440CT	CAP, 10/40 MFD, 440V/ DUAL RD (M11, M12)
81	CAP050400440CT	CAPACITOR 5/40/440V/DUAL RD (M1, M2, M3, M4)
81	CAP050450440CT	CAPACITOR 5/45/440V/DUAL RD (M5, M6, M7, M8)
81	CAP050700440CT	CAPACITOR 5/70/440V/DUAL RD (M9, M10)
91	20520901	CAPACITOR STRAP
111	0130M00242	RELAY, 24V (M11, M12)
NS	0259G00129	HARNESS, CONTROL (M1, M2, M3, M4, M5, M6, M7, M8, M9, M10)
NS	0259G00134	HARNESS, CONTROL (M11, M12)

**Image 2:**

12	B1376857	MOTOR MOUNT ARM (QTY 3)
22	0121M00038	MOTOR MOUNT BAND
32	0131G00028	PROGRAMMED MOTOR (M1, M2)
32	0131G00029	PROGRAMMED MOTOR (M3, M4)
32	0131G00030	PROGRAMMED MOTOR (M5, M6)
32	0131G00031	PROGRAMMED MOTOR (M7, M8)
32	0131G00032	PROGRAMMED MOTOR (M9, M10)
32	0131G00033	PROGRAMMED MOTOR (M11, M12)
42	D6723303	BLOWER WHEEL
52	764742	BLOWER BLOCK-OFF
92	0271G00024	BLOWER HOUSING ASSY 10 X 9
152	M0250565	TC SCREW 1.25" (QTY 3)
272	B1392918	WASHER, FLAT 1/4 ID X 1 OD (QTY 3)
302	B1393323	MACHINE SCREW HWH 1/4-20 X 1-1/2 BZ
312	B1393800	LOCKNUT, NYLON, INSERT 1/4, 20
NS	0259G00155	BLOWER HARNESS

**Expanded Model Nomenclature**

M1 - GPH1424M41AA
M2 - GPH1424M41AB
M3 - GPH1430M41AA
M4 - GPH1430M41AB
M5 - GPH1436M41AA
M6 - GPH1436M41AB
M7 - GPH1442M41AA
M8 - GPH1442M41AB
M9 - GPH1448M41AA
M10 - GPH1448M41AB
M11 - GPH1460M41AA
M12 - GPH1460M41AB