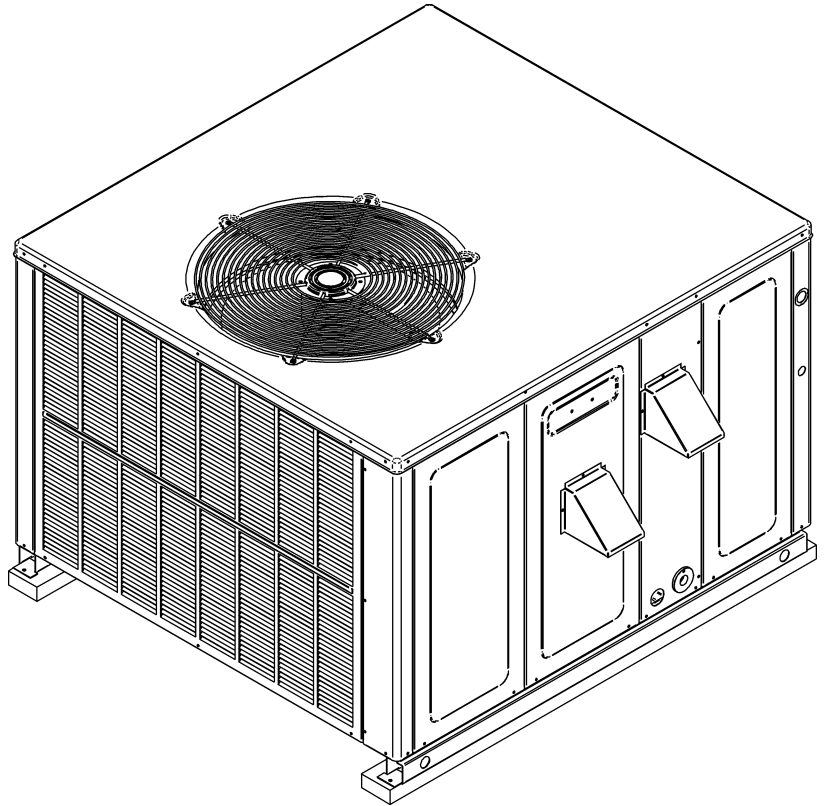


REPAIR PARTS

A/GPG13 "M" Residential Package Gas Units

APG1348070M41DA
APG1348090M41DA
APG1348115M41DA
APG1360090M41DA
APG1360115M41DA
APG1360140M41DA
GPG1324045M41DA
GPG1324070M41DA
GPG1336090M41DB
GPG1348070M41DA
GPG1348090M41DA
GPG1348115M41DA
GPG1360090M41DA
GPG1360115M41DA
GPG1360140M41DA



This manual is to be used by qualified technicians only.

This manual replaces RP-740A.

© 2013,2015 Goodman Manufacturing Company, L.P. ♦ 5151 San Felipe St., Suite 500 ♦ Houston, TX 77056

Important Information

Index

Functional Parts List	3
Illustration and Parts	4 - 15

Views shown are for parts illustrations only, not servicing procedures

Text Codes:

AR - As Required

NA - Not Available

NS - Not Shown

00000000 - See Note

QTY - Quantity Example (QTY 3) (If Quantity not shown, Quantity = 1)

M - Model Example (M1) (If M Code not shown, then part is used on all Models)

Expanded Model Nomenclature:

Example M1 - Model#1 M2 - Model#2 M3 - Model#3

Goodman Manufacturing Company, L.P. is not responsible for personal injury or property damage resulting from improper service. Review all service information before beginning repairs.

Warranty service must be performed by an authorized technician, using authorized factory parts. If service is required after the warranty expires, Goodman Manufacturing Company, L.P. also recommends contacting an authorized technician and using authorized factory parts.

Goodman Manufacturing Company, L.P. reserves the right to discontinue, or change at any time, specifications or designs without notice or without incurring obligations.

For assistance within the U.S.A. contact:
Consumer Affairs Department
Goodman Manufacturing Company, L.P.
7401 Security Way
Houston, Texas 77040
877-254-4729-Telephone
713-863-2382-Facsimile

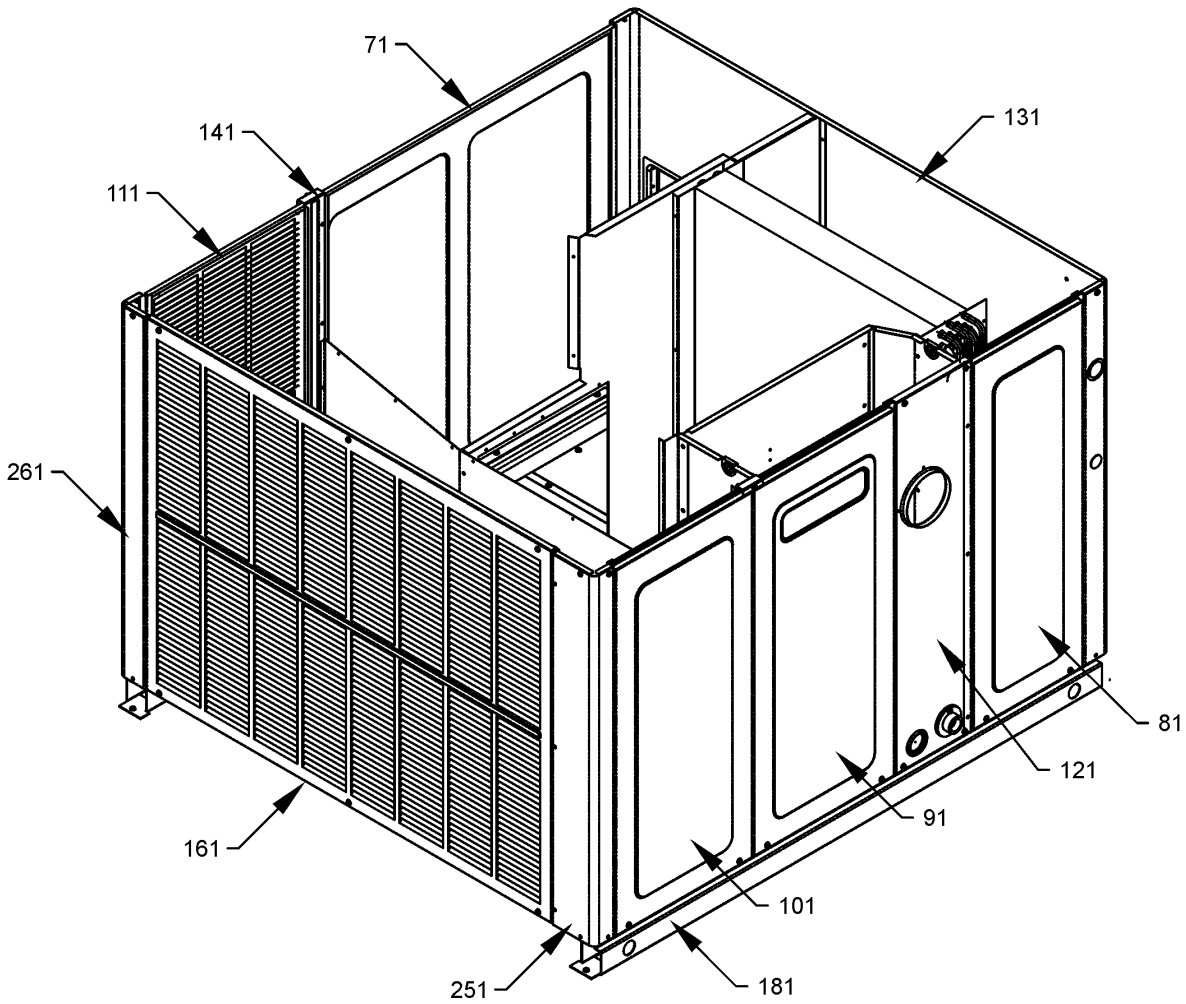
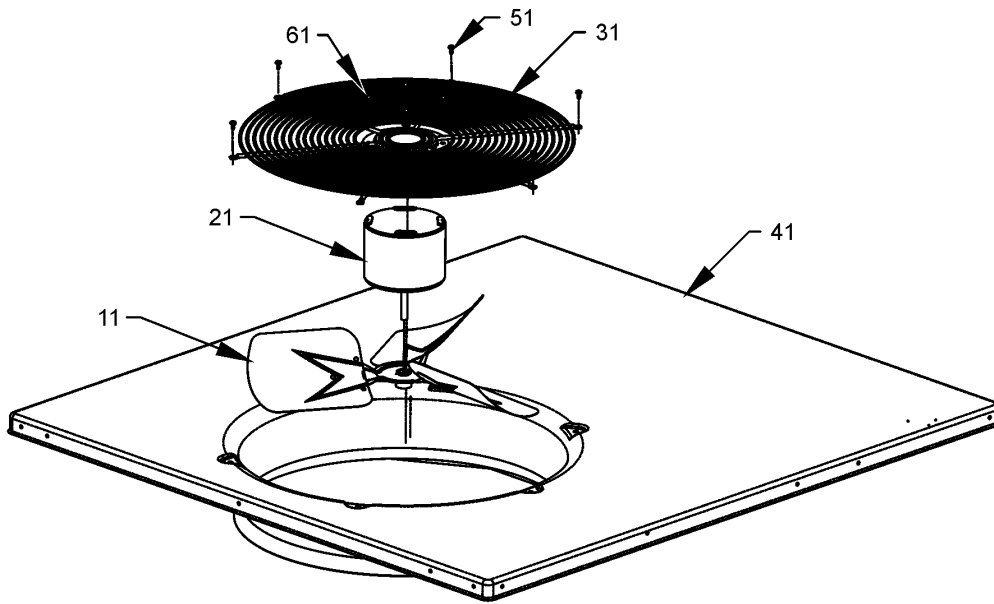
For assistance outside the U.S.A. contact:
International Division
Goodman Manufacturing Company, L.P.
7401 Security Way
Houston, Texas 77040
713-861-2500-Telephone
713-863-2382-Facsimile

Functional Parts

Part No: **Description:**

Part No:	Description:	Expanded Model Nomenclature
50N492ZV-ZAKM	2.0TONRECHI COMPR.4 LEGS (M7, M8)	M1 - APG1348070M41DA
B1370751	24V RELAY (M1, M2, M3, M10, M11, M12)	M2 - APG1348090M41DA
0130M00242	24V RELAY (M4, M5, M6, M13, M14, M15)	M3 - APG1348115M41DA
10735102	BECKETT BURNER (QTY 3)	M4 - APG1360090M41DA
11091203	BLOWER MOTOR 1/3 HP, 3 SP, 6 PL (M9)	M5 - APG1360115M41DA
11091207	BLOWER MOTOR 1/4 HP, 3 SP, 8 PL (M7, M8)	M6 - APG1360140M41DA
D6723303	BLOWER WHEEL (M9)	M7 - GPG1324045M41DA
B1368058	BLOWER WHEEL 10 X 8 (M7, M8)	M8 - GPG1324070M41DA
B1368000	BLOWER WHEEL 11 X 10 (M1, M2, M3, M4, M5, M6, M10, M11, M12, M13, M14, M15)	M9 - GPG1336090M41DB
CAP100000370LA	CAPACITOR 10/370V (M7, M8, M9)	M10 - GPG1348070M41DA
CAP050450440CT	CAPACITOR 5/45/440V/DUAL RD (M1, M2, M3, M7, M8, M9, M10, M11, M12)	M11 - GPG1348090M41DA
CAP050700440CT	CAPACITOR 5/70/440V/DUAL RD (M4, M5, M6, M13, M14, M15)	M12 - GPG1348115M41DA
ZP31K5EPFV130	COMPRESSOR 31100, 208/230/60/1 (M9)	M13 - GPG1360090M41DA
ZP39K5EPFV130	COMPRESSOR 39000, 208/230/60/1 (M1, M2, M3, M10, M11, M12)	M14 - GPG1360115M41DA
ZP51K5EPFV130	COMPRESSOR 51000, 208/230/60/1 (M4, M5, M6, M13, M14, M15)	M15 - GPG1360140M41DA
0131M00061	COND MOTOR 1/4 HP, 1 SP, 8 PL (M9)	
0131M00429	COND MOTOR 1/4 HP, 1 SP,6 PL (M1, M2, M3, M4, M5, M6, M10, M11, M12, M13, M14, M15)	
0131M00009P	COND MOTOR 1/6 HP, 1 SP, 8 PL (M7, M8)	
CONT1P025024V	CONTACTOR 25 AMP, 1P, 24V (M7, M8, M9)	
CONT1P030024V	CONTACTOR 30 AMP, 1P, 24V (M1, M2, M3, M4, M5, M6, M10, M11, M12, M13, M14, M15)	
0130M00074	CUT-OUT SWITCH, HIGH PRESSURE (M1, M2, M3, M4, M5, M6, M9, M10, M11, M12, M13, M14, M15)	
B1086773	FAN BLADE 22" (M7, M8)	
0150G00002	FAN BLADE SWEPT-WING (M9)	
0150G00003	FAN BLADE SWEPT-WING (M1, M2, M3, M4, M5, M6, M10, M11, M12, M13, M14, M15)	
0130F00010	FLAME SENSOR	
0151M00013	GAS VALVE (HW) SINGLE STAGE	
PCBAG123	IGNITION BOARD, DSI INTEGRATED	
0130F00014	IGNITOR	
10728344	LIMIT SWITCH (M1, M2, M3, M4, M5, M10, M11, M12, M13, M14)	
10728343	LIMIT SWITCH (M6, M9, M15)	
10728342	LIMIT SWITCH (M7, M8)	
0121M00035P	MANIFOLD - 2 BRNR (M7)	
20493103	MANIFOLD - 3 BRNR (M8)	
0121M00036P	MANIFOLD - 3 BRNR (M1, M10)	
20493104	MANIFOLD - 4 BRNR (M9)	
20493105	MANIFOLD - 4 BRNR (M2, M4, M11, M13)	
20493106	MANIFOLD - 5 BRNR (M3, M5, M12, M14)	
20493107	MANIFOLD - 6 BRNR (M6, M15)	
10123532	MANUAL RESET LIMIT 350°F	
0131G00007	MOTOR, ID BLOWER	
11112501	PRESSURE SWITCH	
0131M00442	PROGRAMMED MOTOR (M1, M2, M3, M10, M11, M12)	
0131M00443	PROGRAMMED MOTOR (M4, M5, M6, M13, M14, M15)	
0130M00138	TRANSFORMER 208/230, 24V	

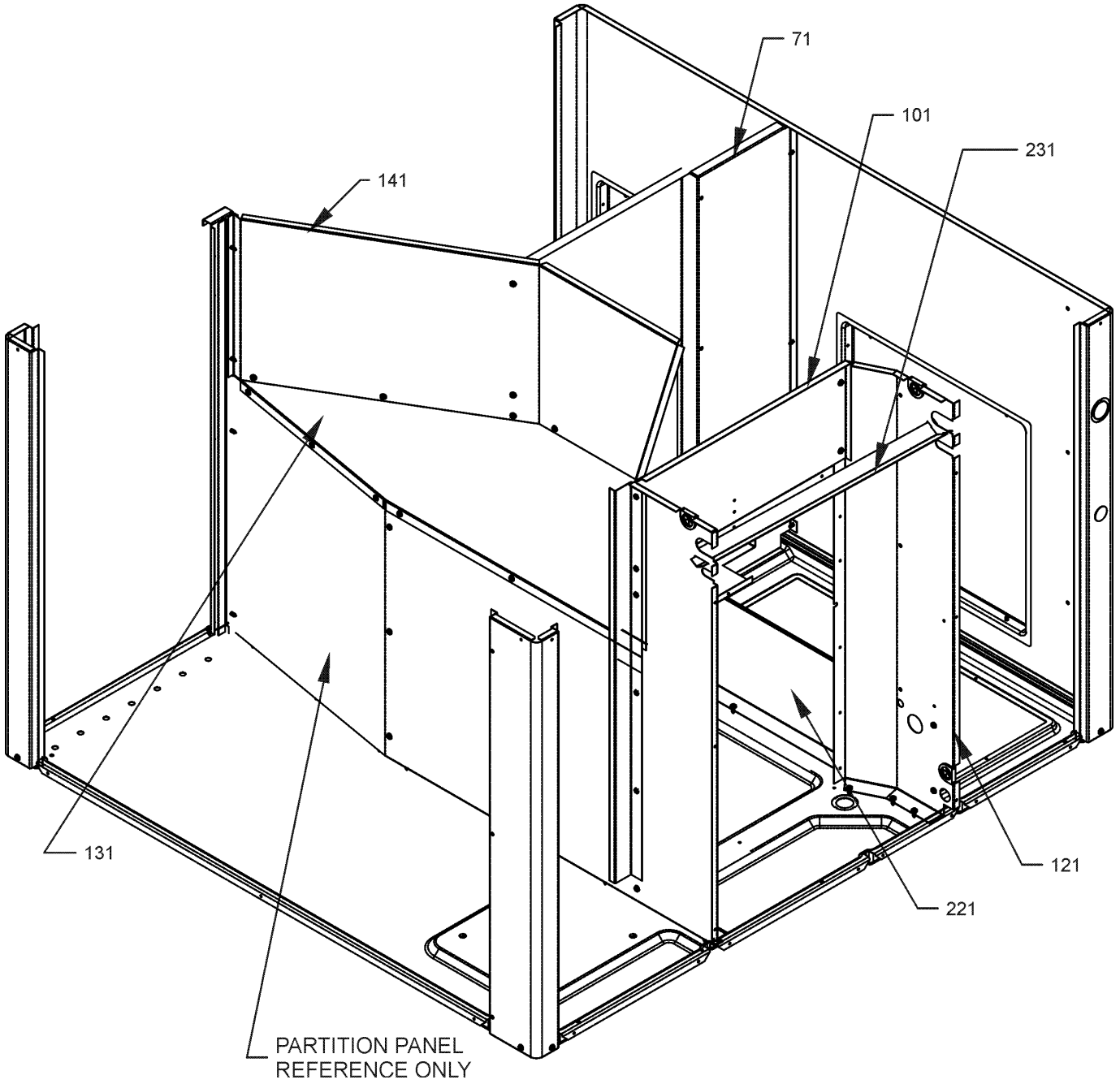
Top Panel / Fan / Cabinet



Top Panel / Fan / Cabinet

Ref. Part No: No:	Description:	Ref. Part No: No:	Description:
Image 1:		Expanded Model Nomenclature	
11	B1086773	FAN BLADE 22" (M7, M8)	M1 - APG1348070M41DA
11	0150G00002	FAN BLADE SWEPT-WING (M9)	M2 - APG1348090M41DA
11	0150G00003	FAN BLADE SWEPT-WING (M1, M2, M3, M4, M5, M6, M10, M11, M12, M13, M14, M15)	M3 - APG1348115M41DA
21	0131M00061	COND MOTOR 1/4 HP, 1 SP, 8 PL (M9)	M4 - APG1360090M41DA
21	0131M00429	COND MOTOR 1/4 HP, 1 SP, 6 PL (M1, M2, M3, M4, M5, M6, M10, M11, M12, M13, M14, M15)	M5 - APG1360115M41DA
21	0131M00009P	COND MOTOR 1/6 HP, 1 SP, 8 PL (M7, M8)	M6 - APG1360140M41DA
31	0152G00003	FAN GRILLE	M7 - GPG1324045M41DA
41	0121G00156PDG	PNL, TOP, PNT	M8 - GPG1324070M41DA
51	M0221817	SMALL SCREW (QTY 6)	M9 - GPG1336090M41DB
61	0163M00006P	ACORN NUT 5/16 HEX BLACK (QTY 4)	M10 - GPG1348070M41DA
71	20464801PDG	BLOWER DOOR 32" (M7, M8, M9)	M11 - GPG1348090M41DA
71	20464806PDG	BLOWER DOOR 40" (M1, M2, M3, M4, M5, M6, M10, M11, M12, M13, M14, M15)	M12 - GPG1348115M41DA
81	20464802PDG	EVAP/CONTROL DOOR 32" (M7, M8, M9)	M13 - GPG1360090M41DA
81	20464807PDG	EVAP/CONTROL DOOR 40" (M1, M2, M3, M4, M5, M6, M10, M11, M12, M13, M14, M15)	M14 - GPG1360115M41DA
91	0121G00526DG	HEAT EXCHANGER DOOR 32" (M7, M8, M9)	M15 - GPG1360140M41DA
91	0121G00527DG	HEAT EXCHANGER DOOR 40" (M1, M2, M3, M4, M5, M6, M10, M11, M12, M13, M14, M15)	
101	20464804PDG	COMPRESSOR DOOR 32" (M7, M8, M9)	
101	20464809PDG	COMPRESSOR DOOR 40" (M1, M2, M3, M4, M5, M6, M10, M11, M12, M13, M14, M15)	
111	20467701PDG	LOUVERED PANEL, COND SIDE 32" (M7, M8)	
111	0121G00467DG	LOUVERED PANEL, COND SIDE 40" (M1, M2, M3, M4, M5, M6, M9, M10, M11, M12, M13, M14, M15)	
121	20466101PDG	UTILITY PANEL 32" (M7, M8, M9)	
121	20466102PDG	UTILITY PANEL 40" (M1, M2, M3, M4, M5, M6, M10, M11, M12, M13, M14, M15)	
131	0121G00442DG	PNL, DUCT, GAS 32.5" (M7, M8, M9)	
131	0121G00443DG	PNL, DUCT, GAS 40" (M1, M2, M3, M4, M5, M6, M10, M11, M12, M13, M14, M15)	
141	0121G00460	SUPPORT POST 32" (M7, M8, M9)	
141	0121G00462	SUPPORT POST 40" (M1, M2, M3, M4, M5, M6, M10, M11, M12, M13, M14, M15)	
161	20464401PDG	LOUVERED PANEL, COND SIDE 32" (M7, M8, M9)	
161	20464402PDG	LOUVERED PANEL, COND SIDE 40" (M10, M11, M12, M13, M14, M15)	
161	20464402PLG	LOUVERED PANEL, COND SIDE 40" (M1, M2, M3, M4, M5, M6)	
181	0121G00290	BASE PAN RAIL (QTY 2)	
251	20464201PDG	CORNER POST-COMP END 32" (M7, M8)	
251	0121G00453DG	CORNER-POST COMP END, PNT (M9)	
251	0121G00455DG	CORNER-POST COMP END, PNT (M1, M2, M3, M4, M5, M6, M10, M11, M12, M13, M14, M15)	
261	20464301PDG	CORNER POST-HAIRPIN END 32" (M7, M8)	
261	0121G00454DG	CORNER-POST HPIN END, PNT (M9)	
261	0121G00456DG	CORNER-POST HPIN END, PNT (M1, M2, M3, M4, M5, M6, M10, M11, M12, M13, M14, M15)	
NS	0121G00323	FLUE HOOD (QTY 2)	
NS	0121G00190	FLUE HOOD-LOWER	
NS	B1910012	GAS LINE GROMMET	
NS	17788000083F	PVC CONDUIT 8.25"	
NS	20472601	SCREEN-FLUE HOOD	

Partition Assembly



Partition Assembly

Ref. Part No:	No:	Description:	Ref. Part No:	No:	Description:
Image 1:					
71	20465302	BLOWER DIVIDER (M1, M2, M3, M4, M5, M6, M10, M11, M12, M13, M14, M15)			
71	20465305	BLOWER DIVIDER (M7, M8)			
71	20465304	BLOWER DIVIDER 32" 10 X 9 (M9)			
101	20465201	FILLER PANEL, HEAT EXCHANGER 32" (M7, M8, M9)			
121	20465501	EVAP/HEAT EXCHANGER DIVIDER 32" (M7, M8, M9)			
121	20465502	EVAP/HEAT EXCHANGER DIVIDER 38" (M1, M2, M3, M4, M5, M6, M10, M11, M12, M13, M14, M15)			
131	20465701	FAN PARTITION SHELF			
141	20465801	FAN SURROUND 32" (M7, M8, M9)			
141	20465802	FAN SURROUND 40" (M1, M2, M3, M4, M5, M6, M10, M11, M12, M13, M14, M15)			
221	20463802	EVAP/BASEPAN BLOCK 32" (M7, M8, M9)			
221	20463801	EVAP/BASEPAN BLOCK 40" (M1, M2, M3, M4, M5, M6, M10, M11, M12, M13, M14, M15)			
231	0121G00555	DRAIN CHANNEL, SUCTION TUBE			

Expanded Model Nomenclature

M1 - APG1348070M41DA
M2 - APG1348090M41DA
M3 - APG1348115M41DA
M4 - APG1360090M41DA
M5 - APG1360115M41DA
M6 - APG1360140M41DA
M7 - GPG1324045M41DA
M8 - GPG1324070M41DA
M9 - GPG1336090M41DB
M10 - GPG1348070M41DA
M11 - GPG1348090M41DA
M12 - GPG1348115M41DA
M13 - GPG1360090M41DA
M14 - GPG1360115M41DA
M15 - GPG1360140M41DA

Basepan / Blower Assembly

Image 1

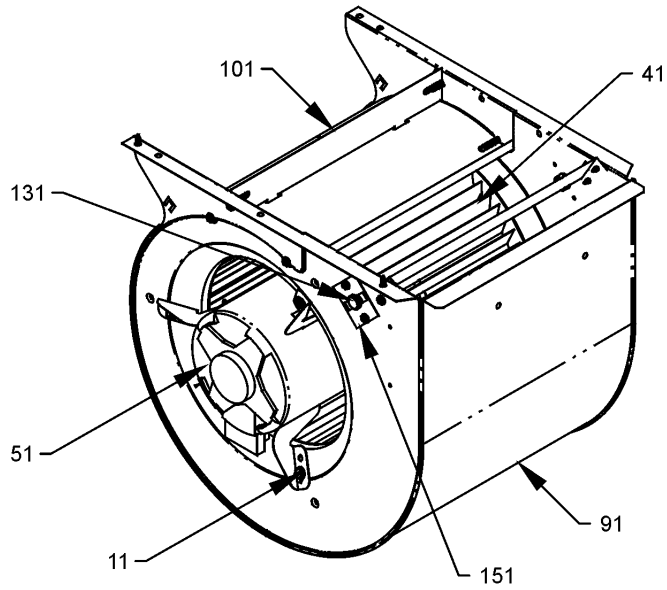
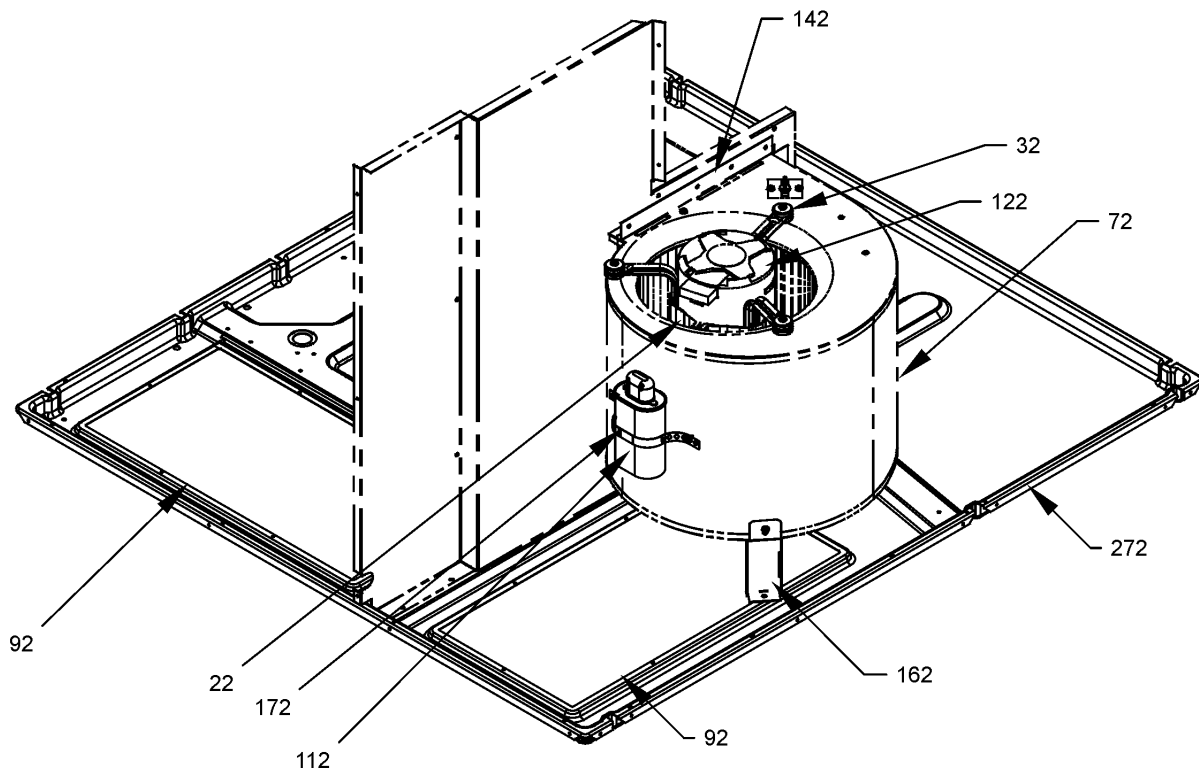


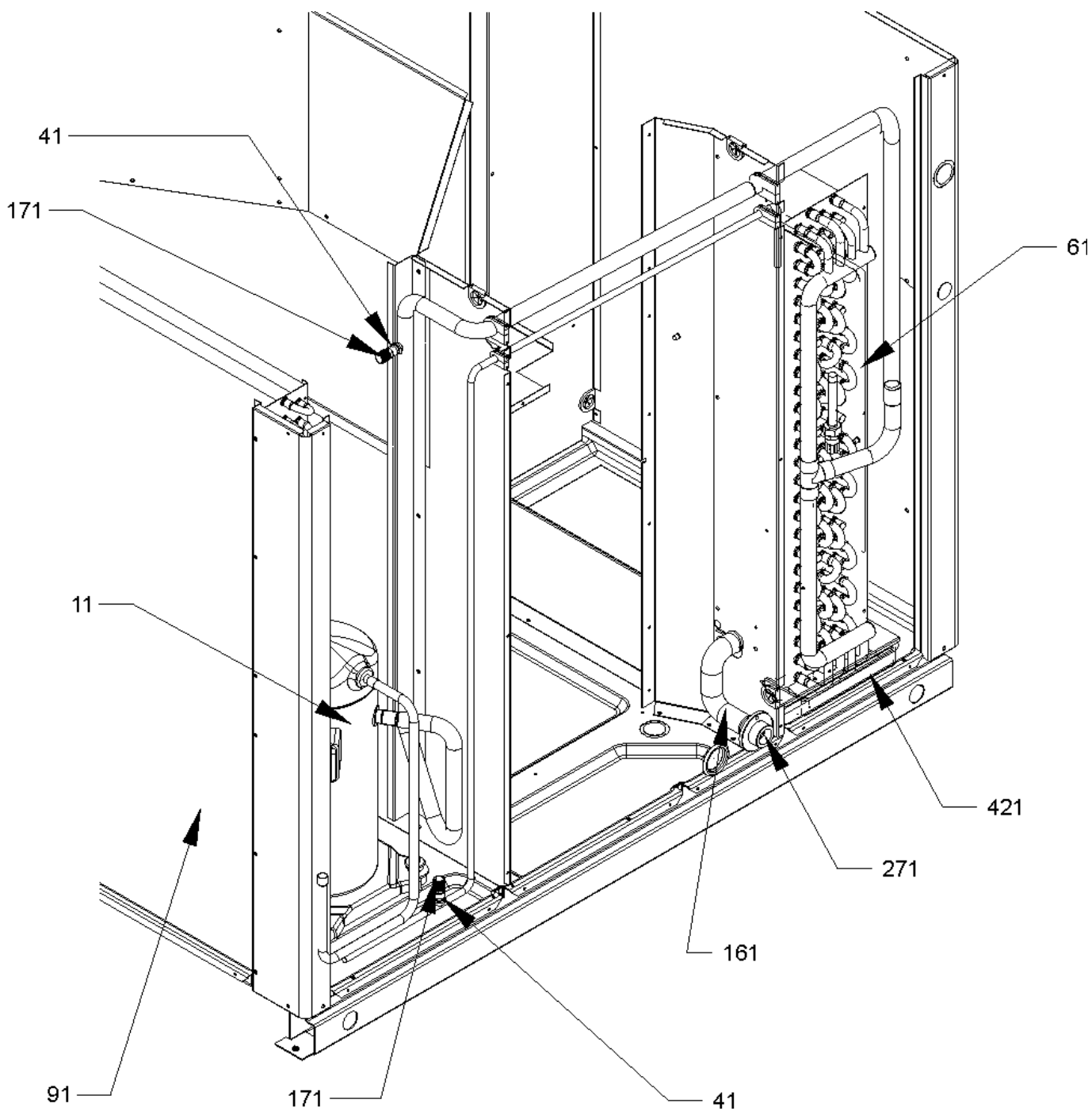
Image 2



Basepan / Blower Assembly

Ref. Part No: No:	Description:	Ref. Part No: No:	Description:
Image 1:		Expanded Model Nomenclature	
11	M0250558	TC SCREW (M7, M8, M9)	M1 - APG1348070M41DA
11	M0250565	TC SCREW 1.25" (M1, M2, M3, M4, M5, M6, M10, M11, M12, M13, M14, M15)	M2 - APG1348090M41DA
41	D6723303	BLOWER WHEEL (M9)	M3 - APG1348115M41DA
41	B1368058	BLOWER WHEEL 10 X 8 (M7, M8)	M4 - APG1360090M41DA
41	B1368000	BLOWER WHEEL 11 X 10 (M1, M2, M3, M4, M5, M6, M10, M11, M12, M13, M14, M15)	M5 - APG1360115M41DA
51	11091203	BLOWER MOTOR 1/3 HP, 3 SP, 6 PL (M9)	M6 - APG1360140M41DA
51	11091207	BLOWER MOTOR 1/4 HP, 3 SP, 8 PL (M7, M8)	M7 - GPG1324045M41DA
91	0271F00001P	BLOWER HOUSING ASSY 10 X 8 (M7, M8)	M8 - GPG1324070M41DA
91	0271G00024	BLOWER HOUSING ASSY 10 X 9 (M9)	M9 - GPG1336090M41DB
101	764742	BLOWER BLOCK-OFF (M9)	M10 - GPG1348070M41DA
101	764740	BLOWER BLOCK-OFF 10 X 8 (M7, M8)	M11 - GPG1348090M41DA
101	1864703F	BLOWER CUT-OFF (M1, M2, M3, M4, M5, M6, M10, M11, M12, M13, M14, M15)	M12 - GPG1348115M41DA
131	20269903	AUXILIARY LIMIT, AUTO RESET	M13 - GPG1360090M41DA
151	2509503F	AUXILIARY LIMIT BRACKET (M1, M2, M3, M4, M5, M6, M9, M10, M11, M12, M13, M14, M15)	M14 - GPG1360115M41DA
NS	B1392143	GROMMET, 26TAL F/TORSIN FLEX (M7, M8)	M15 - GPG1360140M41DA
Image 2:			
22	0121M00038	MOTOR MOUNT BAND (M1, M2, M3, M4, M5, M6, M10, M11, M12, M13, M14, M15)	
32	B1376857	MOTOR MOUNT ARM (M1, M2, M3, M4, M5, M6, M10, M11, M12, M13, M14, M15)	
72	2539309	BLOWER HOUSING ASSY 11 X 10 (M1, M2, M3, M4, M5, M6, M10, M11, M12, M13, M14, M15)	
92	0121G00148	SINGLE COVER, DOWN DISCHARGE (M7, M8, M9)	
112	CAP100000370LA	CAPACITOR 10/370V (M7, M8, M9)	
122	0131M00442	PROGRAMMED MOTOR (M1, M2, M3, M10, M11, M12)	
122	0131M00443	PROGRAMMED MOTOR (M4, M5, M6, M13, M14, M15)	
142	20463701	11 X 10 BLOWER MOUNTING (M1, M2, M3, M4, M5, M6, M10, M11, M12, M13, M14, M15)	
162	4322801	11 X 10 BLOWER SUPPORT LRG (M1, M2, M3, M4, M5, M6, M10, M11, M12, M13, M14, M15)	
172	20520901	CAPACITOR STRAP	
272	0121G00444	BASEPAN, PACKAGE	
NS	B821700	CAPACITOR BOOT (M7, M8, M9)	
NS	B1393800	LOCKNUT, NYLON, INSERT 1/4, 20 (M1, M2, M3, M4, M5, M6, M10, M11, M12, M13, M14, M15)	
NS	B1393561	SCREW,HWH,10X1/2,SD,BZ,UNSL0TD (M7, M8, M9)	
NS	B1393553	SCREW,HWH,14X5/8,A,BZ,SLOT (M1, M2, M3, M4, M5, M6, M10, M11, M12, M13, M14, M15)	

Compressor / Tubing Assembly



Compressor / Tubing Assembly

**Ref. Part
No: No:**

Description:

**Ref. Part
No: No:**

Description:

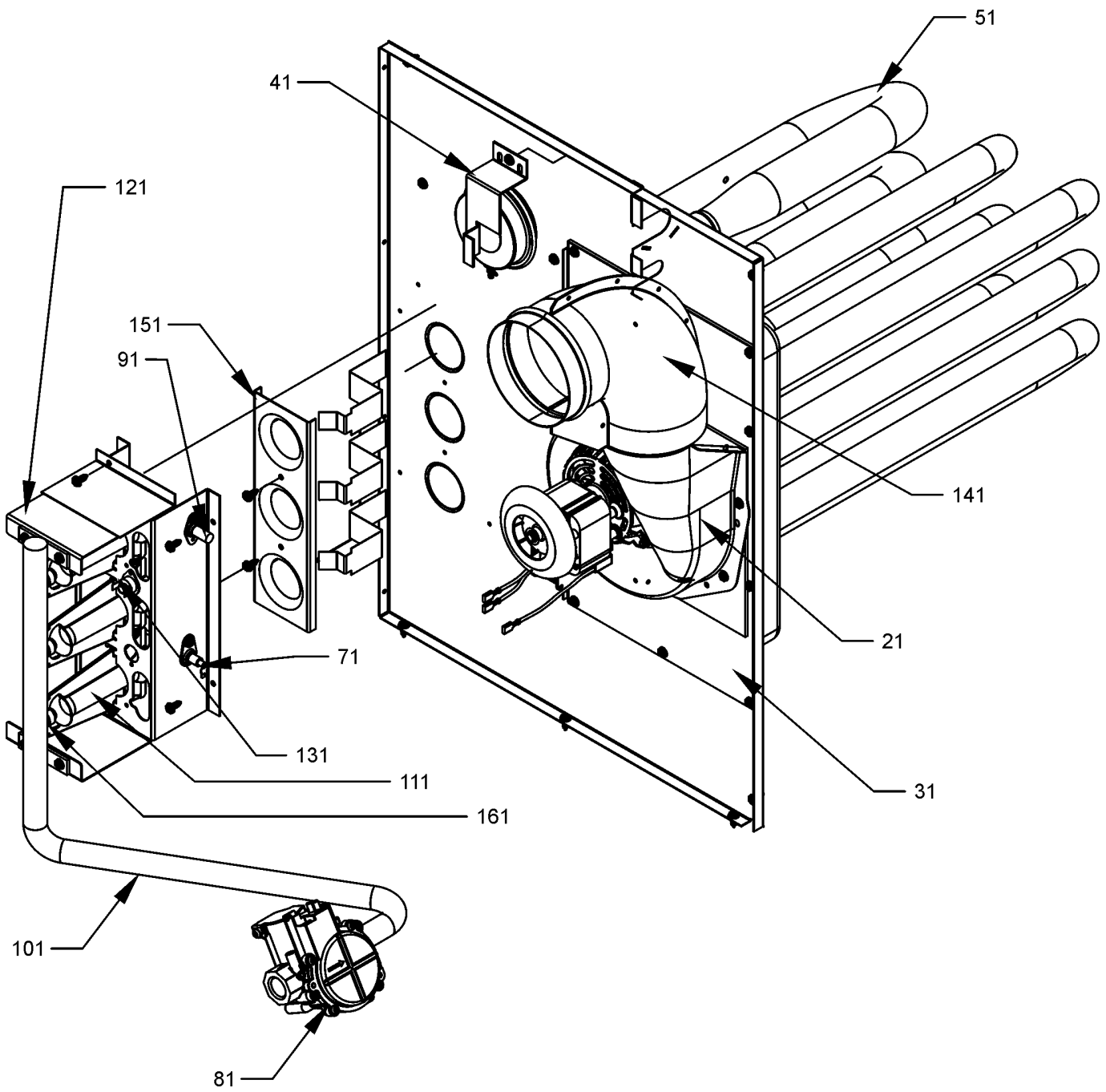
Image 1:

11	50N492ZV-ZAKM	2.0TONRECHI COMPR.4 LEGS (M7, M8)
11	ZP31K5EPFV130	COMPRESSOR 31100, 208/230/60/1 (M9)
11	ZP39K5EPFV130	COMPRESSOR 39000, 208/230/60/1 (M1, M2, M3, M10, M11, M12)
11	ZP51K5EPFV130	COMPRESSOR 51000, 208/230/60/1 (M4, M5, M6, M13, M14, M15)
41	B1373315	ACCESS FITTING (QTY 2)
61	0202G00444	EVAP COIL ASSY (M1, M2, M3, M10, M11, M12)
61	0202G00565	EVAP COIL ASSY (M7, M8)
61	0202G00567	EVAP COIL ASSY (M9)
61	0202G00569	EVAP COIL ASSY (M4, M5, M6, M13, M14, M15)
91	0201G00142	CONDENSER COIL ASSY (M7, M8)
91	0201G00249	CONDENSER COIL ASSY (M1, M2, M3, M9, M10, M11, M12)
91	0201G00252	CONDENSER COIL ASSY (M4, M5, M6, M13, M14, M15)
161	20498302	DRAIN TUBE 32" (M7, M8, M9)
161	20498301	DRAIN TUBE 40" (M1, M2, M3, M4, M5, M6, M10, M11, M12, M13, M14, M15)
171	0163M00175	CAP WITH O-RING (M7, M8, M9)
271	20513001	EVAP DRAIN FITTING
421	20464901DF	DRAIN PAN-EVAP COIL
NS	B1339533	COMPRESSOR GROMMET (M1, M2, M3, M4, M5, M6, M9, M10, M11, M12, M13, M14, M15)
NS	0159G00006	COMPRESSOR SCROLL HARNESS (M1, M2, M3, M4, M5, M6, M10, M11, M12, M13, M14, M15)
NS	0130M00074	CUT-OUT SWITCH, HIGH PRESSURE (M1, M2, M3, M4, M5, M6, M9, M10, M11, M12, M13, M14, M15)
NS	60140209	GROMMET - RECHI COMPRESSOR (M7, M8)
NS	B1810011	HOSE CLAMP 1.25 (M7, M8)
NS	B1219212	SINGLE-FLOW FILTER DRIER, STEEL (M7, M8, M9)
NS	B1219225	SINGLE-FLOW FILTER DRIER, STEEL (M1, M2, M3, M4, M5, M6, M10, M11, M12, M13, M14, M15)
NS	0163M00186	TF SHOULDER SCREW (M7, M8)
NS	M0221641	TF SHOULDER SCREW (M1, M2, M3, M4, M5, M6, M9, M10, M11, M12, M13, M14, M15)
NS	60100201	WASHER - RECHI COMPRESSOR (M7, M8)

Expanded Model Nomenclature

M1 - APG1348070M41DA
M2 - APG1348090M41DA
M3 - APG1348115M41DA
M4 - APG1360090M41DA
M5 - APG1360115M41DA
M6 - APG1360140M41DA
M7 - GPG1324045M41DA
M8 - GPG1324070M41DA
M9 - GPG1336090M41DB
M10 - GPG1348070M41DA
M11 - GPG1348090M41DA
M12 - GPG1348115M41DA
M13 - GPG1360090M41DA
M14 - GPG1360115M41DA
M15 - GPG1360140M41DA

Heat Exchanger / Manifold / Gas Valve



Heat Exchanger / Manifold / Gas Valve

**Ref. Part
No: No:**

Description:

**Ref. Part
No: No:**

Description:

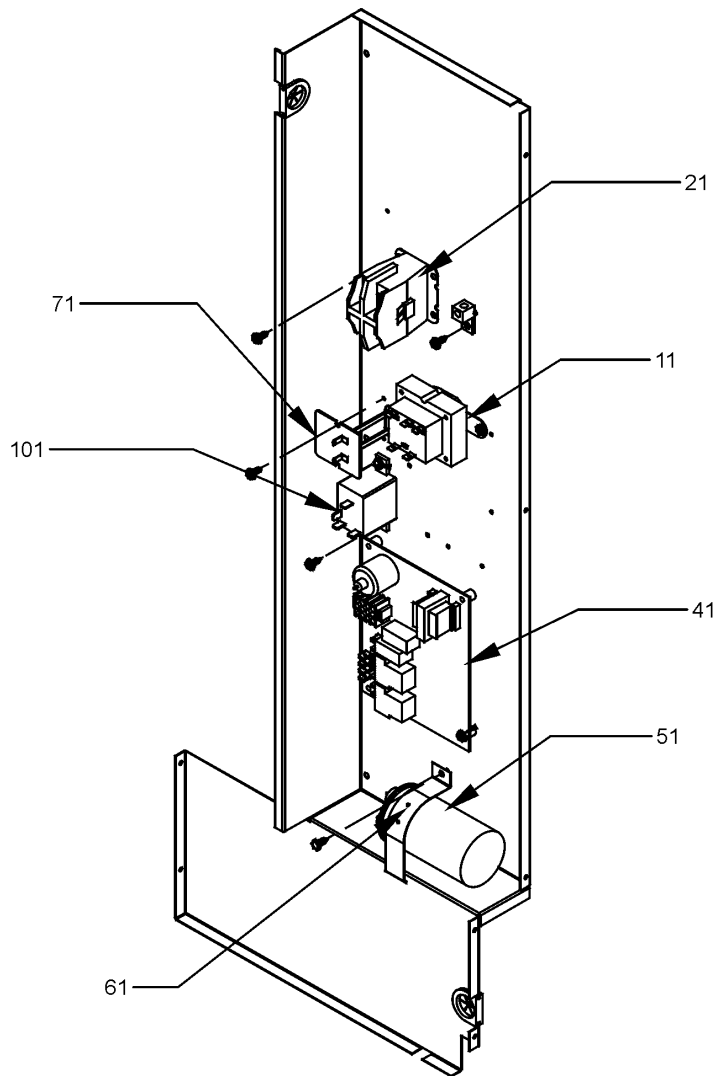
Image 1:

21	0131G00007	MOTOR, ID BLOWER
31	0121G00433	PLATE-ID BLWR LRG BRNR 1.75 (M1, M10)
31	0121G00430	PLATE-ID BLWR LRG 4 BRNR 2 (M2, M4, M11, M13)
31	0121G00431	PLATE-ID BLWR LRG 5 BRNR 3 (M3, M5, M12, M14)
31	0121G00432	PLATE-ID BLWR LRG 6 BRNR 3.5 (M6, M15)
31	0121G00427	PLATE-ID BLWR SML 2 BRNR 1.5 (M7)
31	0121G00428	PLATE-ID BLWR SML 3 BRNR 1.75 (M8)
31	0121G00429	PLATE-ID BLWR SML 4 BRNR 2 (M9)
41	11112501	PRESSURE SWITCH
51	20490714	ASSY, PART/TUBE (M7)
51	20490716	ASSY, PART/TUBE (M10)
51	20490717	ASSY, PART/TUBE (M1)
51	20490718	ASSY, PART/TUBE (M6)
51	20490707	PART/TUBE ASSY 3B (M8)
51	20490703	PART/TUBE ASSY 4B (M9)
51	20490704	PART/TUBE ASSY 4B (M11, M13)
51	20490712	PART/TUBE ASSY 4B (M2, M4)
51	20490705	PART/TUBE ASSY 5B (M12, M14)
51	20490713	PART/TUBE ASSY 5B (M3, M5)
51	20490706	PART/TUBE ASSY 6B (M15)
71	0130F00014	IGNITOR
81	0151M00013	GAS VALVE (HW) SINGLE STAGE
91	0130F00010	FLAME SENSOR
101	0121M00035P	MANIFOLD - 2 BRNR (M7)
101	0121M00036P	MANIFOLD - 3 BRNR (M1, M10)
101	20493103	MANIFOLD - 3 BRNR (M8)
101	20493104	MANIFOLD - 4 BRNR (M9)
101	20493105	MANIFOLD - 4 BRNR (M2, M4, M11, M13)
101	20493106	MANIFOLD - 5 BRNR (M3, M5, M12, M14)
101	20493107	MANIFOLD - 6 BRNR (M6, M15)
111	10735102	BECKETT BURNER (QTY 3)
121	20190410	BURNER BRACKET 2B (M7)
121	20190411	BURNER BRACKET 3B (M1, M8, M10)
121	20190412	BURNER BRACKET 4B (M2, M4, M9, M11, M13)
121	20190413	BURNER BRACKET 5B (M3, M5, M12, M14)
121	0121F00145	BURNER BRACKET 6B (M6, M15)
131	10123532	MANUAL RESET LIMIT 350°F
141	20484401	FLUE ELBOW LEFT
141	20484402	FLUE ELBOW RIGHT
151	11072201	ORIFICE SHIELD (M7)
151	11072202	ORIFICE SHIELD (M1, M10)
151	11072202	ORIFICE SHIELD (M1, M10)
151	11072203	ORIFICE SHIELD (M2, M4, M9, M11, M13)
151	11072204	ORIFICE SHIELD (M3, M5, M12, M14)
151	11072205	ORIFICE SHIELD (M6, M15)
161	0163F00018	ORIFICE (QTY 3)
NS	0154G00003	GASKET, ID BLOWER & PLATE (M7, M8, M9)
NS	0154G00004	GASKET, ID BLOWER & PLATE (M1, M2, M3, M4, M5, M6, M10, M11, M12, M13, M14, M15)

Expanded Model Nomenclature

M1 - APG1348070M41DA
M2 - APG1348090M41DA
M3 - APG1348115M41DA
M4 - APG1360090M41DA
M5 - APG1360115M41DA
M6 - APG1360140M41DA
M7 - GPG1324045M41DA
M8 - GPG1324070M41DA
M9 - GPG1336090M41DB
M10 - GPG1348070M41DA
M11 - GPG1348090M41DA
M12 - GPG1348115M41DA
M13 - GPG1360090M41DA
M14 - GPG1360115M41DA
M15 - GPG1360140M41DA

Control Panel



Control Panel

Ref. Part No:	No:	Description:	Ref. Part No:	No:	Description:
Image 1:					
11	0130M00138	TRANSFORMER 208/230, 24V			
21	CONT1P025024V	CONTACTOR 25 AMP, 1P, 24V (M7, M8, M9)			
21	CONT1P030024V	CONTACTOR 30 AMP, 1P, 24V (M1, M2, M3, M4, M5, M6, M10, M11, M12, M13, M14, M15)			
41	PCBAG123	IGNITION BOARD, DSI INTEGRATED			
51	CAP050450440CT	CAPACITOR 5/45/440V/DUAL RD (M1, M2, M3, M7, M8, M9, M10, M11, M12)			
51	CAP050700440CT	CAPACITOR 5/70/440V/DUAL RD (M4, M5, M6, M13, M14, M15)			
61	20520901	CAPACITOR STRAP			
71	10728342	LIMIT SWITCH (M7, M8)			
71	10728343	LIMIT SWITCH (M6, M9, M15)			
71	10728344	LIMIT SWITCH (M1, M2, M3, M4, M5, M10, M11, M12, M13, M14)			
101	0130M00242	24V RELAY (M4, M5, M6, M13, M14, M15)			
101	B1370751	24V RELAY (M1, M2, M3, M10, M11, M12)			
NS	0259G00009	BLOWER HARNESS (M7, M8, M9)			
NS	0259G00023	BLOWER HARNESS (M1, M2, M3, M4, M5, M6, M10, M11, M12, M13, M14, M15)			
NS	0259G00214	ECONOMIZER HARNESS			
NS	0259G00083	HARNESS-CONTROL (M1, M2, M3, M10, M11, M12)			
NS	0259G00084	HARNESS-CONTROL (M4, M5, M6, M13, M14, M15)			
NS	0259G00086	HARNESS-CONTROL (M9)			
NS	0259G00118	HARNESS-CONTROL, FAN (M8)			
NS	0259G00119	HARNESS-CONTROL, FAN (M7)			
NS	0259G00113	PLUG ASSY, 12 PIN MALE (M1, M2, M3, M4, M5, M6, M10, M11, M12, M13, M14, M15)			
NS	0259G00116	PLUG ASSY, 12 PIN MALE (M7, M8, M9)			

Expanded Model Nomenclature

M1 - APG1348070M41DA
M2 - APG1348090M41DA
M3 - APG1348115M41DA
M4 - APG1360090M41DA
M5 - APG1360115M41DA
M6 - APG1360140M41DA
M7 - GPG1324045M41DA
M8 - GPG1324070M41DA
M9 - GPG1336090M41DB
M10 - GPG1348070M41DA
M11 - GPG1348090M41DA
M12 - GPG1348115M41DA
M13 - GPG1360090M41DA
M14 - GPG1360115M41DA
M15 - GPG1360140M41DA