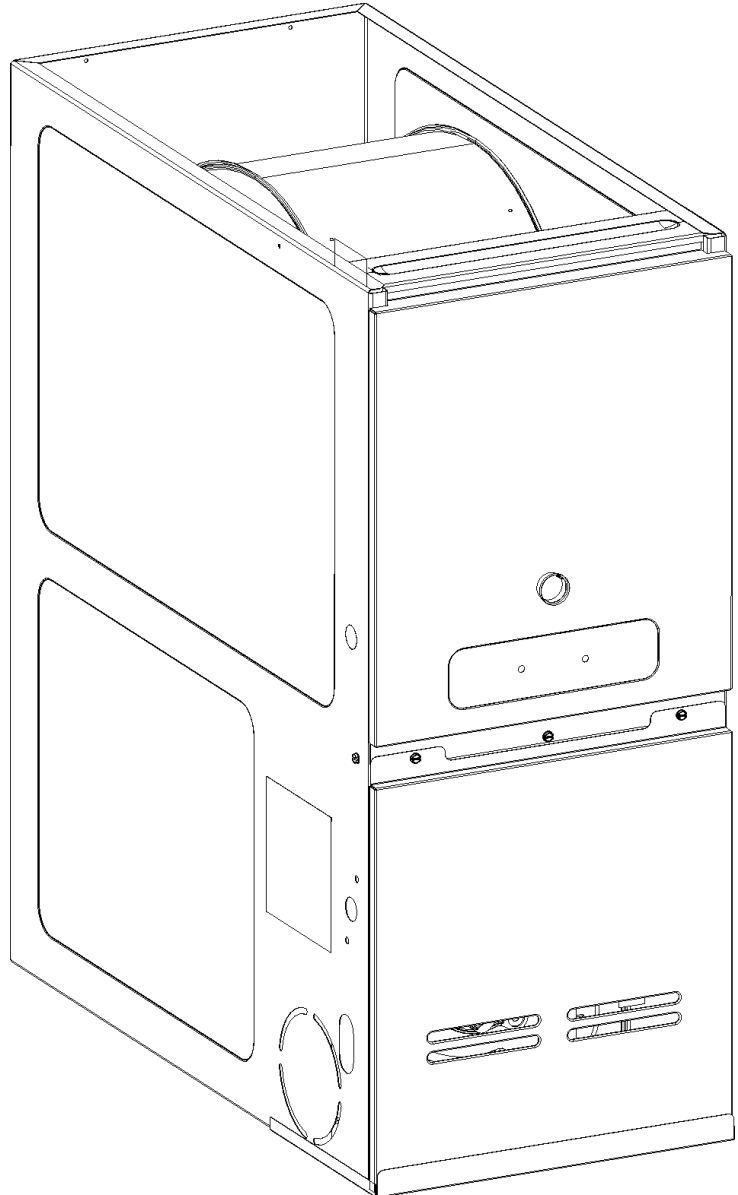


GDH8 80% Dedicated Downflow Furnace

GDH80403ANAA
GDH80403ANBA
GDH80403ANBB
GDH80403AXAA
GDH80403AXBA
GDH80403AXBB
GDH80603ANAA
GDH80603ANBA
GDH80603ANBB
GDH80603AXAA
GDH80603AXBA
GDH80603AXBB
GDH80804BNAA
GDH80804BNBA
GDH80804BNBB
GDH80804BXAA
GDH80804BXBA
GDH80804BXBB
GDH81005CNAA
GDH81005CNBA
GDH81005CNBB
GDH81005CXAA
GDH81005CXBA
GDH81005CXBB



This manual is to be used by qualified technicians only.

This manual replaces RP-663A.

© 2011-2013 Goodman Manufacturing Company, L.P. ♦ 5151 San Felipe St., Suite 500 ♦ Houston, TX 77056

Important Information

Index

Functional Parts List	3
Illustration and Parts	4 - 9

Views shown are for parts illustrations only, not servicing procedures.

Text Codes:

AR - As Required

NA - Not Available

NS - Not Shown

00000000 - See Note

QTY - Quantity Example (QTY 3) (If Quantity not shown, Quantity = 1)

M - Model Example (M1) (If M Code not shown, then part is used on all Models)

Expanded Model Nomenclature:

Example M1 - Model#1 M2 - Model#2 M3 - Model#3

Goodman Manufacturing Company, L.P. is not responsible for personal injury or property damage resulting from improper service. Review all service information before beginning repairs.

Warranty service must be performed by an authorized technician, using authorized factory parts. If service is required after the warranty expires, Goodman Manufacturing Company, L.P. also recommends contacting an authorized technician and using authorized factory parts.

Goodman Manufacturing Company, L.P. reserves the right to discontinue, or change at any time, specifications or designs without notice or without incurring obligations.

For assistance within the U.S.A. contact:
Consumer Affairs Department
Goodman Manufacturing Company, L.P.
7401 Security Way
Houston, Texas 77040
877-254-4729-Telephone
713-863-2382-Facsimile

For assistance outside the U.S.A. contact:
International Division
Goodman Manufacturing Company, L.P.
7401 Security Way
Houston, Texas 77040
713-861-2500-Telephone
713-863-2382-Facsimile

Functional Parts

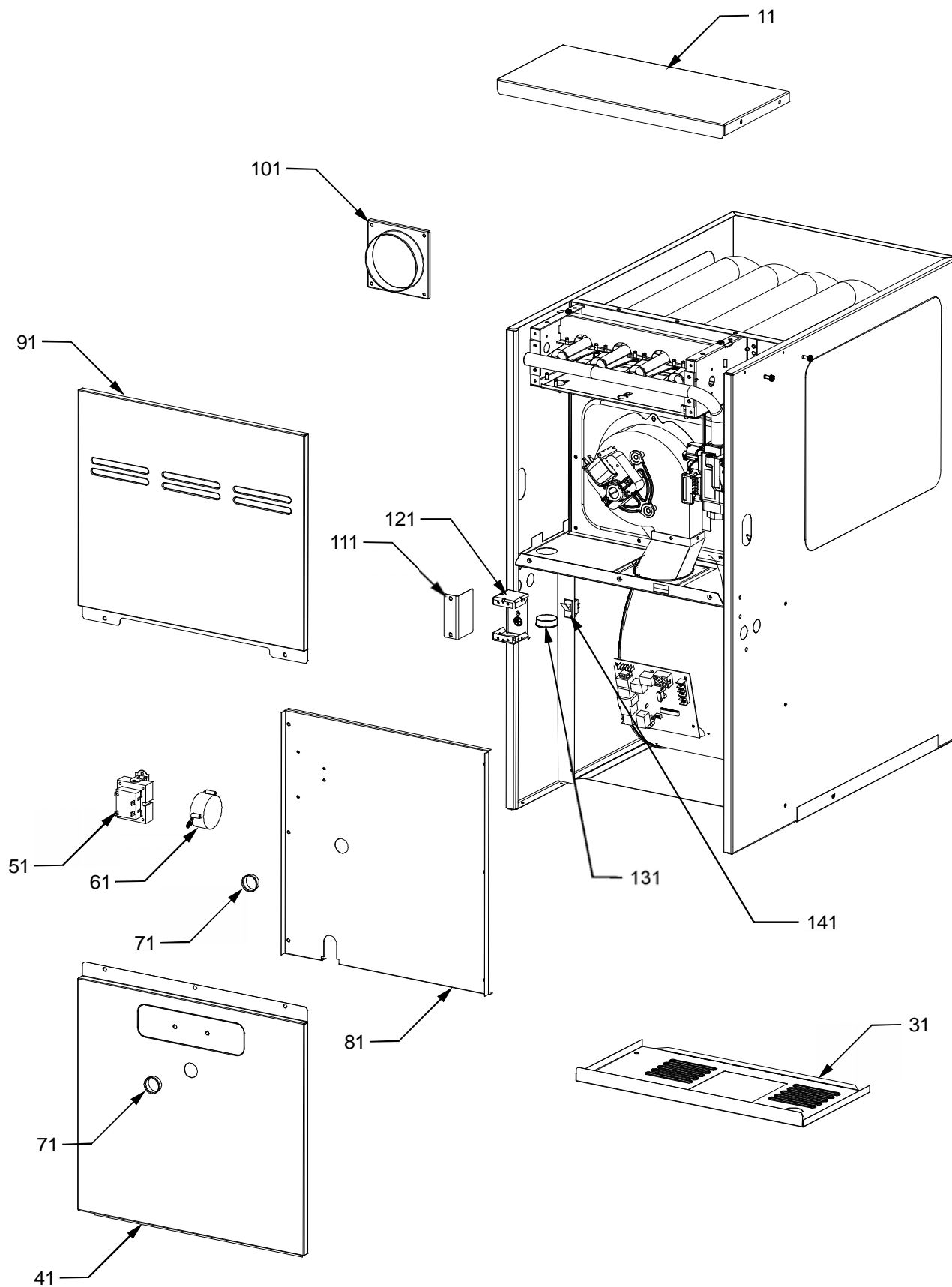
Part No: **Description:**

Part No:	Description:	Expanded Model Nomenclature
0131F00022	BLOWER MOTOR 1/2 HP, 4 SP, 6 PL (M13, M14, M15, M16, M17, M18)	M1 - GDH80403ANAA
20046618	BLOWER MOTOR 3/4 HP (M19, M20, M21, M22, M23, M24)	M2 - GDH80403ANBA
0131F00021	BLOWER MOTOR, 1/3HP, 4SP, 6PL (M1, M2, M4, M5, M7, M8, M9, M10, M11, M12)	M3 - GDH80403ANBB
0131F00027	BLOWER MOTOR, 1/3HP, 4SP, 6PL (M3, M6)	M4 - GDH80403AXAA
CAP125000370RPP	CAP, 12.5 MFD/370V/ RD (M1, M2, M3, M4, M5, M6, M7, M8, M9, M10, M11, M12)	M5 - GDH80403AXBA
CAP200000370CP	CAP, 20 MFD/370V/ RD (M13, M14, M15, M16, M17, M18)	M6 - GDH80403AXBB
CAP250000370RPP	CAP, 25 MFD/370V/ RD (M19, M20, M21, M22, M23, M24)	M7 - GDH80603ANAA
0130F00010	FLAME SENSOR	M8 - GDH80603ANBA
0130F00008	IGNITOR-SINI 17 SEC	M9 - GDH80603ANBB
B1370818	INTERLOCK SWITCH	M10 - GDH80603AXAA
20162901	LIMIT (M20, M21, M23, M24)	M11 - GDH80603AXBA
10123529	MANUAL RESET LIMIT	M12 - GDH80603AXBB
PCBBF132	PCB 2STAGE HYBRID FURNACE CNTL	M13 - GDH80804BNAA
0130F00042	PRESSURE SWITCH (M20, M21, M23, M24)	M14 - GDH80804BNBA
B1370142	PRESSURE SWITCH 0.60" WC (M1, M2, M3, M4, M5, M6, M8, M9, M11, M12, M13, M14, M15, M16, M17, M18)	M15 - GDH80804BNBB
B1370158	PRESSURE SWITCH -0.70" WC (M7, M10, M19, M22)	M16 - GDH80804BXAA
0130F00038	PRIMARY LIMIT - LT BLUE 120°	M17 - GDH80804BXBA
0130F00036	PRIMARY LIMIT - PINK (M2, M3, M5, M6, M8, M9, M11, M12, M13, M14, M15, M16, M17, M18, M19, M22)	M18 - GDH80804BXBB
0130F00035	PRIMARY LIMIT - PURPLE 220° (M1, M4, M7, M10)	M19 - GDH81005CNAA
0130M00139	TRANSFORMER, 40VA,120VTO24V	M20 - GDH81005CNBA
0151M00028	VALVE,GAS(HW)VR92	M21 - GDH81005CNBB
0131M00002	VENT MOTOR	M22 - GDH81005CXAA
		M23 - GDH81005CXBA
		M24 - GDH81005CXBB

SPECIAL PARTS

0161F00007 GOODMAN NAMEPLATE

Cabinet Assy



Cabinet Assy

**Ref. Part
No: No:**

Description:

**Ref. Part
No: No:**

Description:

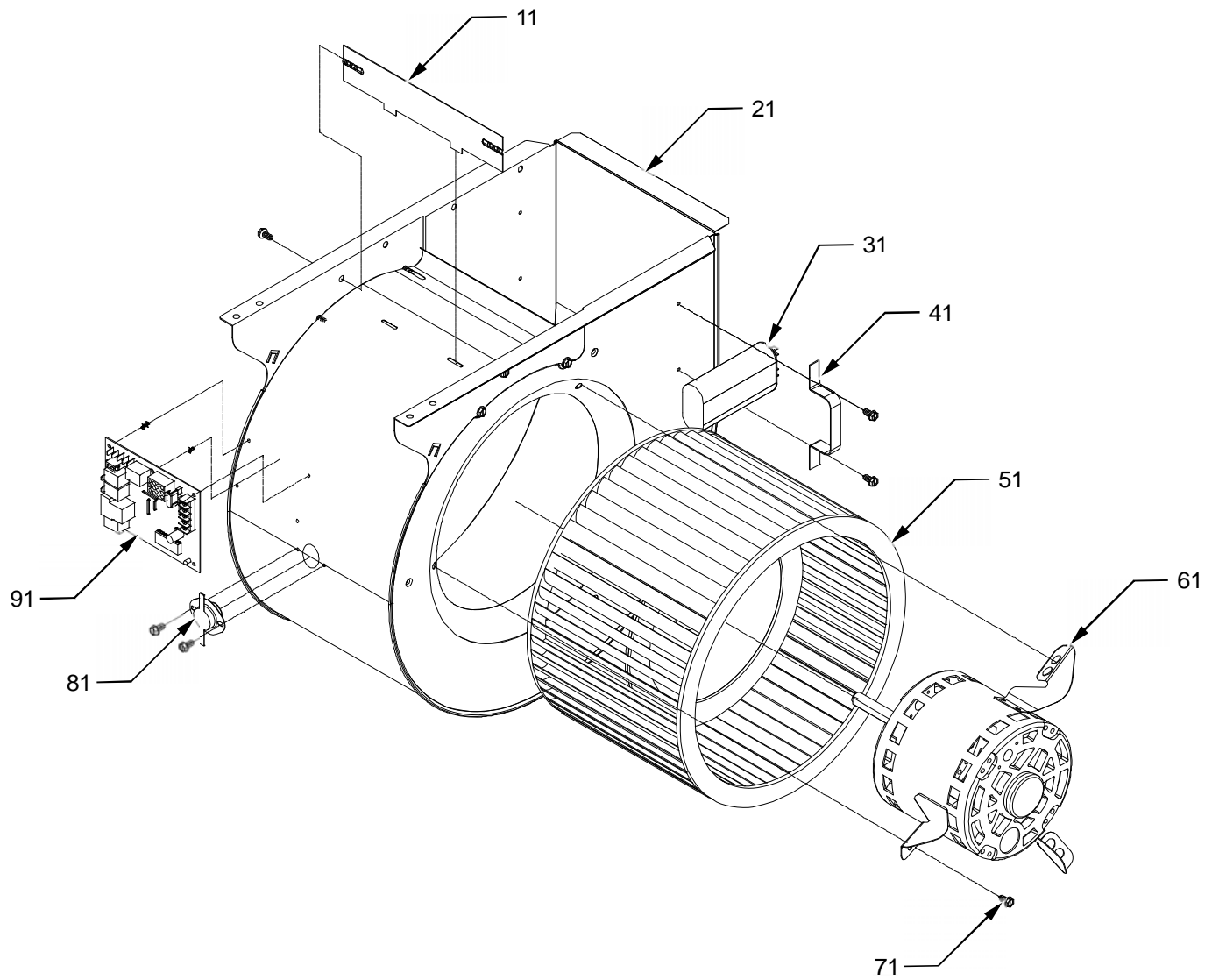
Image 1:

11	0121F00183DG	FURNACE BOTTOM 14" (M1, M2, M3, M4, M5, M6, M7, M8, M9, M10, M11, M12)
11	0121F00190DG	FURNACE BOTTOM 17.5" (M13, M14, M15, M16, M17, M18)
11	0121F00191DG	FURNACE BOTTOM 21" (M19, M20, M21, M22, M23, M24)
31	0121F00141DG	TOP 14" (M1, M2, M3, M4, M5, M6, M7, M8, M9, M10, M11, M12)
31	0121F00142DG	TOP 17.5" (M13, M14, M15, M16, M17, M18)
31	0121F00143DG	TOP 21" (M19, M20, M21, M22, M23, M24)
41	0121F00122DG	BLOWER ACCESS DOOR 14" (M1, M2, M3, M4, M5, M6, M7, M8, M9, M10, M11, M12)
41	0121F00123DG	BLOWER ACCESS DOOR 17.5" (M13, M14, M15, M16, M17, M18)
41	0121F00124DG	BLOWER ACCESS DOOR 21" (M19, M20, M21, M22, M23, M24)
51	0130M00139	TRANSFORMER, 40VA, 120VTO24V
61	0130F00042	PRESSURE SWITCH (M20, M21, M23, M24)
61	B1370142	PRESSURE SWITCH 0.60" WC (M1, M2, M3, M4, M5, M6, M8, M9, M11, M12, M13, M14, M15, M16, M17, M18)
61	B1370158	PRESSURE SWITCH -0.70" WC (M7, M10, M19, M22)
71	B1392139	VIEW PORT BUSHING-BLOWER DOOR
81	0121F00185	INNER BLOWER DOOR 14" (M1, M2, M3, M4, M5, M6, M7, M8, M9, M10, M11, M12)
81	0121F00192	INNER BLOWER DOOR 17.5" (M13, M14, M15, M16, M17, M18)
81	0121F00193	INNER BLOWER DOOR 21" (M19, M20, M21, M22, M23, M24)
91	0121F00118DG	CONTROL ACCESS DOOR 14" (M1, M2, M3, M4, M5, M6, M7, M8, M9, M10, M11, M12)
91	0121F00119DG	CONTROL ACCESS DOOR 17.5" (M13, M14, M15, M16, M17, M18)
91	0121F00120DG	CONTROL ACCESS DOOR 21" (M19, M20, M21, M22, M23, M24)
101	4023500	CHIMNEY TRANSITION TOP
121	4014502	J-BOX
131	0163F00001	UNIVERSAL BUSHING WITH SLICE
141	B1370818	INTERLOCK SWITCH
NS	0161F00007	GOODMAN NAMEPLATE
NS	B13926111	SEAL STRIP, 1/8 X 1/2 X 14 (M1, M2, M3, M4, M5, M6, M7, M8, M9, M10, M11, M12)
NS	B13926112	SEAL STRIP, 1/8 X 1/2 X 17.5 (M13, M14, M15, M16, M17, M18)
NS	B13926113	SEAL STRIP, 1/8 X 1/2 X 21 (M19, M20, M21, M22, M23, M24)

Expanded Model Nomenclature

M1 - GDH80403ANAA
M2 - GDH80403ANBA
M3 - GDH80403ANBB
M4 - GDH80403AXAA
M5 - GDH80403AXBA
M6 - GDH80403AXBB
M7 - GDH80603ANAA
M8 - GDH80603ANBA
M9 - GDH80603ANBB
M10 - GDH80603AXAA
M11 - GDH80603AXBA
M12 - GDH80603AXBB
M13 - GDH80804BNAA
M14 - GDH80804BNBA
M15 - GDH80804BNBB
M16 - GDH80804BXAA
M17 - GDH80804BXBA
M18 - GDH80804BXBB
M19 - GDH81005CNAA
M20 - GDH81005CNBA
M21 - GDH81005CNBB
M22 - GDH81005CXAA
M23 - GDH81005CXBA
M24 - GDH81005CXBB

Blower Assembly



Blower Assembly

**Ref. Part
No: No:**

Description:

**Ref. Part
No: No:**

Description:

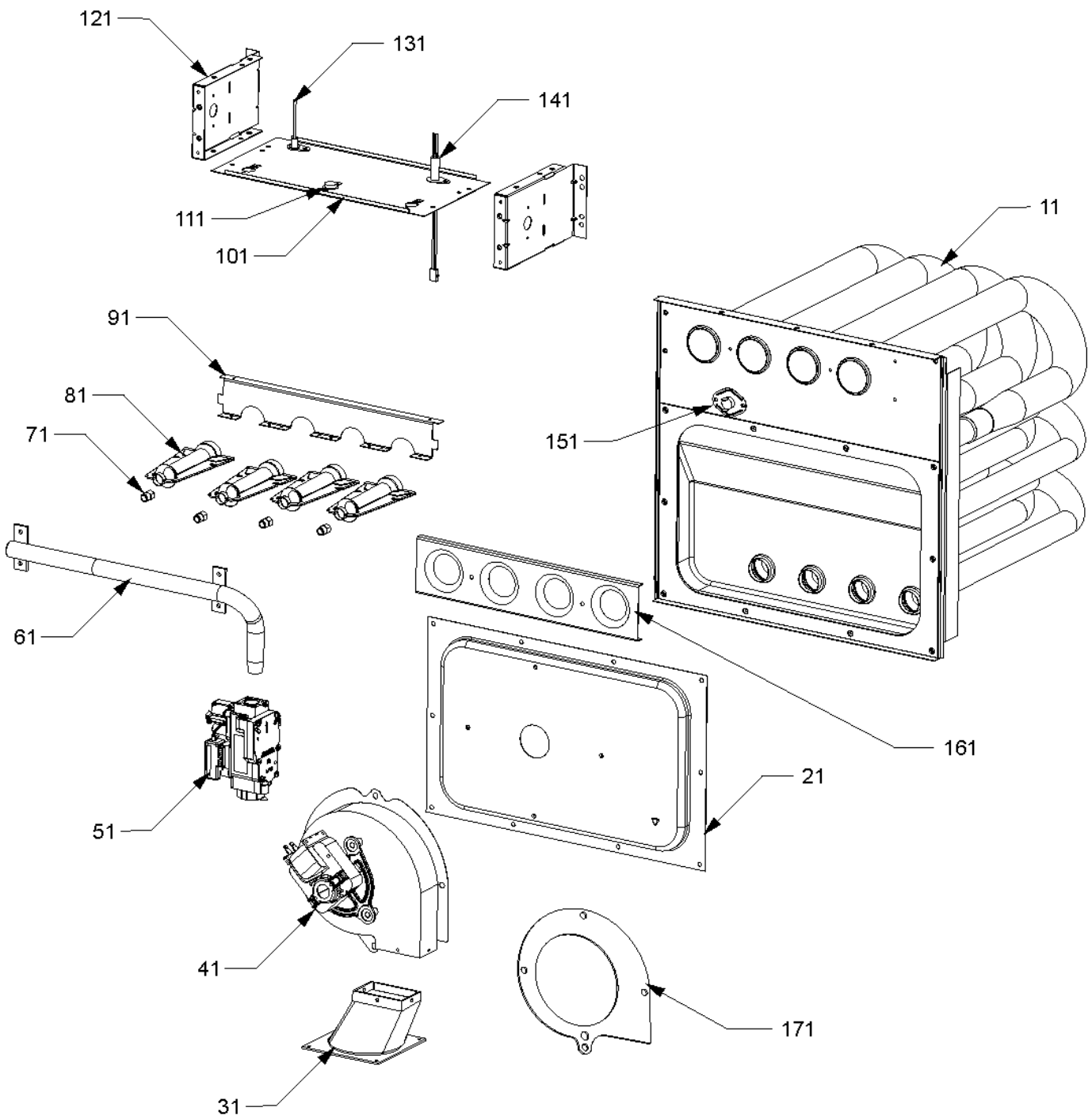
Image 1:

11	764741F	BLOWER BLOCK-OFF 10 X 10 (M19, M20, M21, M22, M23, M24)
11	764740	BLOWER BLOCK-OFF 10 X 8 (M13, M14, M15, M16, M17, M18)
11	764739	BLOWER CUT-OFF 10 X 6 (M1, M2, M3, M4, M5, M6, M7, M8, M9, M10, M11, M12)
21	2539307	BLOWER HOUSING 10 X 10 (M19, M20, M21, M22, M23, M24)
21	2539305	BLOWER HOUSING 10 X 6 (M1, M2, M3, M4, M5, M6, M7, M8, M9, M10, M11, M12)
21	2539306	BLOWER HOUSING 10 X 8 (M13, M14, M15, M16, M17, M18)
31	CAP125000370RPP	CAP, 12.5 MFD/370V/ RD (M1, M2, M3, M4, M5, M6, M7, M8, M9, M10, M11, M12)
31	CAP200000370CP	CAP, 20 MFD/370V/ RD (M13, M14, M15, M16, M17, M18)
31	CAP250000370RPP	CAP, 25 MFD/370V/ RD (M19, M20, M21, M22, M23, M24)
41	1284835	CAPACITOR STRAP
51	0150M00035	BLOWER WHEEL (10 X 10) (M19, M20, M21, M22, M23, M24)
51	B1368034	BLOWER WHEEL 10 X 6 (M1, M2, M3, M4, M5, M6, M7, M8, M9, M10, M11, M12)
51	B1368016	BLOWER WHEEL 10 X 8 (M13, M14, M15, M16, M17, M18)
61	0131F00022	BLOWER MOTOR 1/2 HP, 4 SP, 6 PL (M13, M14, M15, M16, M17, M18)
61	20046618	BLOWER MOTOR 3/4 HP (M19, M20, M21, M22, M23, M24)
61	0131F00021	BLOWER MOTOR, 1/3HP, 4SP, 6PL (M1, M2, M4, M5, M7, M8, M9, M10, M11, M12)
61	0131F00027	BLOWER MOTOR, 1/3HP, 4SP, 6PL (M3, M6)
71	M0250558	TC SCREW (QTY 3)
81	0130F00038	PRIMARY LIMIT - LT BLUE 120°
91	PCBBF132	PCB 2STAGE HYBRID FURNACE CNTL
NS	B1393802	SUPPORT, 2-WING BOARD, .187 MT (QTY 4)
NS	B1393803	SUPPORT, SINGLE-WING BOARD (.1

Expanded Model Nomenclature

M1 - GDH80403ANAA
M2 - GDH80403ANBA
M3 - GDH80403ANBB
M4 - GDH80403AXAA
M5 - GDH80403AXBA
M6 - GDH80403AXBB
M7 - GDH80603ANAA
M8 - GDH80603ANBA
M9 - GDH80603ANBB
M10 - GDH80603AXAA
M11 - GDH80603AXBA
M12 - GDH80603AXBB
M13 - GDH80804BNAA
M14 - GDH80804BNBA
M15 - GDH80804BNBB
M16 - GDH80804BXAA
M17 - GDH80804BXBA
M18 - GDH80804BXBB
M19 - GDH81005CNAA
M20 - GDH81005CNBA
M21 - GDH81005CNBB
M22 - GDH81005CXAA
M23 - GDH81005CXBA
M24 - GDH81005CXBB

Partition Assy



Partition Assy

Ref. Part No:	No:	Description:	Ref. Part No:	No:	Description:
<i>Image 1:</i>			<i>Image 1:</i>		
11	0270F00900	HEAT EXCHANGER ASSY (M1, M2, M3, M4, M5, M6)	161	4028001	ORIFICE SHIELD 3 CELL (M7, M8, M9, M10, M11, M12)
11	0270F00901	HEAT EXCHANGER ASSY (M7, M8, M9, M10, M11, M12)	161	4028002	ORIFICE SHIELD 4 CELL (M13, M14, M15, M16, M17, M18)
11	0270F00902	HEAT EXCHANGER ASSY (M13, M14, M15, M16, M17, M18)	161	4028003	ORIFICE SHIELD 5 CELL (M19, M20, M21, M22, M23, M24)
11	0270F00903	HEAT EXCHANGER ASSY (M19, M20, M21, M22, M23, M24)	171	0154F00003	VENT MOTOR GASKET 14" (M1, M2, M3, M4, M5, M6, M7, M8, M9, M10, M11, M12)
21	0121F00327	14" COLLECTOR BOX 1.125" DIA (M2, M3, M5, M6)	171	0154F00004	VENT MOTOR GASKET 17.5" (M13, M14, M15, M16, M17, M18)
21	0121F00364	14" FLUE COLLECTOR BOX 1.5"DIA (M8, M9, M11, M12)	171	0154F00005	VENT MOTOR GASKET 21" (M19, M20, M21, M22, M23, M24)
21	0121F00334	21" COLLECTOR BOX 1.625" DIA (M20, M21, M23, M24)	NS	0259F00060	HYBRID WIRE KIT
21	0121F00126	FLUE COLLECTOR BOX KIT 14" 1.25 DIA (M1, M4)	NS	0259F00058	IGNITOR WIRE HARNESS ASSY
21	0121F00208	FLUE COLLECTOR BOX KIT 14" 2.5 DIA (M7, M10)	NS	0259F00074	WIRE HARNESS ASSY
21	0121F00128	FLUE COLLECTOR BOX KIT 17.5" 1.75 DIA (M14, M15, M17, M18)	Expanded Model Nomenclature		
21	0121F00201	FLUE COLLECTOR BOX KIT 17.5", 2.5 DIA (M13, M16)	<div style="border: 1px solid black; padding: 5px;"> M1 - GDH80403ANAA M2 - GDH80403ANBA M3 - GDH80403ANBB M4 - GDH80403AXAA M5 - GDH80403AXBA M6 - GDH80403AXBB M7 - GDH80603ANAA M8 - GDH80603ANBA M9 - GDH80603ANBB M10 - GDH80603AXAA M11 - GDH80603AXBA M12 - GDH80603AXBB M13 - GDH80804BNAA M14 - GDH80804BNBA M15 - GDH80804BNBB M16 - GDH80804BXAA M17 - GDH80804BXBA M18 - GDH80804BXBB M19 - GDH81005CNAA M20 - GDH81005CNBA M21 - GDH81005CNBB M22 - GDH81005CXAA M23 - GDH81005CXBA M24 - GDH81005CXBB </div>		
21	0121F00200	FLUE COLLECTOR BOX KIT 21" 2.75 DIA (M19, M22)			
31	0128F00006	CHIMNEY TRANSITION BOTTOM			
41	0131M00002	VENT MOTOR			
51	0151M00028	VALVE,GAS(HW)VR92			
61	0120F00009	MAINFOLD (M19, M20, M21, M22, M23, M24)			
61	0120F00006	MANIFOLD (M1, M2, M3, M4, M5, M6)			
61	0120F00007	MANIFOLD (M7, M8, M9, M10, M11, M12)			
61	0120F00008	MANIFOLD (M13, M14, M15, M16, M17, M18)			
71	10716003	ORIFICE (M1, M4, M7, M10, M13, M16, M19, M22)			
71	B4089345	ORIFICE (M2, M3, M5, M6, M8, M9, M11, M12, M14, M15, M17, M18, M20, M21, M23, M24)			
81	B4022700	INSHOT BURNER ASSY 3" (QTY A/R)			
91	0121F00167	BURNER BRACKET 2B (M1, M2, M3, M4, M5, M6)			
91	0121F00168	BURNER BRACKET 3B (M7, M8, M9, M10, M11, M12)			
91	0121F00169	BURNER BRACKET 4B (M13, M14, M15, M16, M17, M18)			
91	0121F00170	BURNER BRACKET 5B (M19, M20, M21, M22, M23, M24)			
101	0121F00162	BURNER BOX TOP 2 CELL (M1, M2, M3, M4, M5, M6)			
101	0121F00163	BURNER BOX TOP 3 CELL (M7, M8, M9, M10, M11, M12)			
101	0121F00164	BURNER BOX TOP 4 CELL (M13, M14, M15, M16, M17, M18)			
101	0121F00165	BURNER BOX TOP 5 CELL (M19, M20, M21, M22, M23, M24)			
111	10123529	MANUAL RESET LIMIT			
121	0121F00146	BURNER BOX SIDE (QTY 2)			
131	0130F00010	FLAME SENSOR			
141	0130F00008	IGNITOR-SINI 17 SEC			
151	20162901	LIMIT (M20, M21, M23, M24)			
151	0130F00036	PRIMARY LIMIT - PINK (M2, M3, M5, M6, M8, M9, M11, M12, M13, M14, M15, M16, M17, M18, M19, M22)			
151	0130F00035	PRIMARY LIMIT - PURPLE 220° (M1, M4, M7, M10)			
161	4028000	ORIFICE SHIELD 2 CELL (M1, M2, M3, M4, M5, M6)			