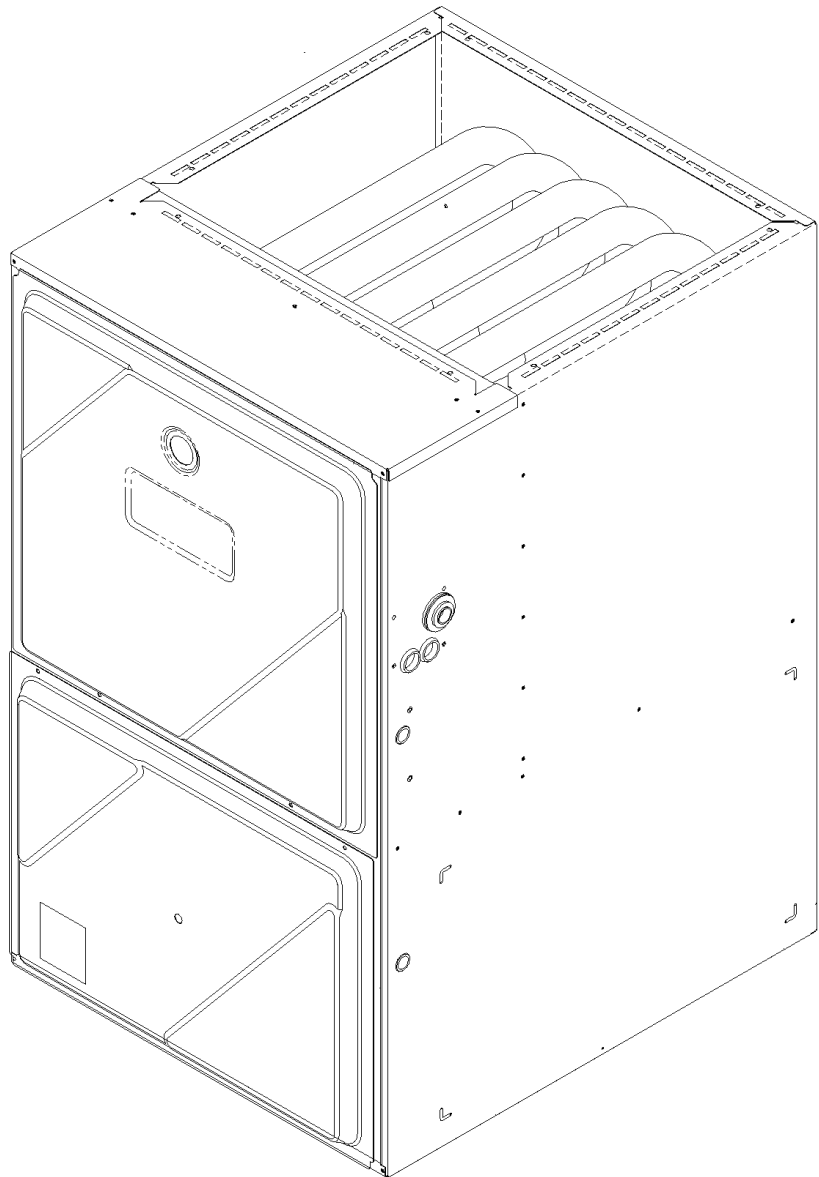


REPAIR PARTS

*CVC9 2-Stage CF Variable Speed Furnace

ACVC90704CXAA
ACVC90704CXAB
ACVC90905DXAA
ACVC90905DXAB
ACVC950714CXAA
ACVC950714CXAB
ACVC950714CXAC
ACVC950714CXAD
ACVC950915DXAA
ACVC950915DXAB
ACVC950915DXAC
ACVC950915DXAD
ACVC951155DXAA
GCVC90704CXAA
GCVC90704CXAB
GCVC90905DXAA
GCVC90905DXAB
GCVC91155DXAA
GCVC91155DXAB
GCVC91155DXAC
GCVC91155DXAF
GCVC950714CXAA
GCVC950714CXAB
GCVC950714CXAC
GCVC950714CXAD
GCVC950915DXAA
GCVC950915DXAC
GCVC950915DXAD



This manual is to be used by qualified technicians only.

© 2009-2013 Goodman Manufacturing Company, L.P. ♦ 5151 San Felipe, Suite 500 ♦ Houston, TX 77056

Important Information

Index

Functional Parts List	3
Illustration and Parts	4 - 11

Views shown are for parts illustrations only, not servicing procedures

11-18-13: Updated Blower Wheel B1368047A to B1368047

Text Codes:

AR - As Required

NA - Not Available

NS - Not Shown

00000000 - See Note

QTY - Quantity Example (QTY 3) (If Quantity not shown, Quantity = 1)

M - Model Example (M1) (If M Code not shown, then part is used on all Models)

Expanded Model Nomenclature:

Example M1 - Model#1 M2 - Model#2 M3 - Model#3

Goodman Manufacturing Company, L.P. is not responsible for personal injury or property damage resulting from improper service. Review all service information before beginning repairs.

Warranty service must be performed by an authorized technician, using authorized factory parts. If service is required after the warranty expires, Goodman Manufacturing Company, L.P. also recommends contacting an authorized technician and using authorized factory parts.

Goodman Manufacturing Company, L.P. reserves the right to discontinue, or change at any time, specifications or designs without notice or without incurring obligations.

For assistance within the U.S.A. contact:
Consumer Affairs Department
Goodman Manufacturing Company, L.P.
7401 Security Way
Houston, Texas 77040
877-254-4729-Telephone
713-863-2382-Facsimile

For assistance outside the U.S.A. contact:
International Division
Goodman Manufacturing Company, L.P.
7401 Security Way
Houston, Texas 77040
713-861-2500-Telephone
713-863-2382-Facsimile

Functional Parts

Part

No: Description:

Part No:	Description:	Part No:	Description:
10735102	BECKETT BURNER (QTY A/R)	0130F00070	PRESSURE SWITCH (M5, M6, M7, M8, M9, M10, M11, M12, M22, M23, M24, M25, M26, M27, M28)
D6723311	BLOWER WHEEL (M3, M4, M9, M10, M11, M12, M13, M16, M17, M18, M19, M20, M21, M26, M27, M28)	20197313	PRESSURE SWITCH-PINK (M1, M2, M3, M4, M13, M14, M15, M16, M17, M18, M19, M20, M21)
B1368047	BLOWER WHEEL 10 X 10 (M1, M2, M5, M6, M7, M8, M14, M15, M22, M23, M24, M25)	11177118	PRESURE SWITCH-LIME (M1, M2, M3, M4, M13, M14, M15, M16, M17, M18, M19, M20, M21)
0130F00400	DATA, FURNACE PCB MEMORY CHIP (M21)	20162903	PRIMARY LIMIT - BLUE (M1, M2, M14, M15)
0130F00374	DATA, FURNACE PCB MEMORY CHIP (M13)	20162908	PRIMARY LIMIT - GREEN (M3, M4, M16, M17)
0130F00279	DATA, FURNACE PCB MEMORY CHIP (M28)	0130F00038	PRIMARY LIMIT - LT BLUE 120° (M5, M6, M7, M8, M9, M10, M11, M12, M13, M19, M20, M21, M22, M23, M24, M25, M26, M27, M28)
0130F00278	DATA, FURNACE PCB MEMORY CHIP (M25)	20162904	PRIMARY LIMIT-TEMPERATURE CONTROL (M5, M6, M7, M8, M22, M23, M24, M25)
0130F00271	DATA, FURNACE PCB MEMORY CHIP (M12)	20162905	PRIMARY LIMIT-YELLOW (M13, M18, M19, M20, M21)
0130F00270	DATA, FURNACE PCB MEMORY CHIP (M8)	0130M00140	TRANSFORMER 120V TO 24V, 40 VA
0130F00187	DATA, FURNACE PCB MEMORY CHIP (M27)		
0130F00186	DATA, FURNACE PCB MEMORY CHIP (M24)		
0130F00178	DATA, FURNACE PCB MEMORY CHIP (M7)		
0130F00143	DATA, FURNACE PCB MEMORY CHIP (M10)		
0130F00142	DATA, FURNACE PCB MEMORY CHIP (M6)		
0130F00132	DATA, FURNACE PCB MEMORY CHIP (M20)		
0130F00179	DATA, FURNACE PCB MEMORY CHIP (M11)		
0130F00104	DATA, FURNACE PCB MEMORY CHIP (M26)		
0130F00103	DATA, FURNACE PCB MEMORY CHIP (M22)		
0130F00102	DATA, FURNACE PCB MEMORY CHIP (M9)		
0130F00101	DATA, FURNACE PCB MEMORY CHIP (M5)		
0130F00089	DATA, FURNACE PCB MEMORY CHIP (M19)		
0130F00088	DATA, FURNACE PCB MEMORY CHIP (M17)		
0130F00082	DATA, FURNACE PCB MEMORY CHIP (M4)		
0130F00030	DATA, FURNACE PCB MEMORY CHIP (M18)		
0130F00029	DATA, FURNACE PCB MEMORY CHIP (M16)		
0130F00023	DATA, FURNACE PCB MEMORY CHIP (M3)		
0130F00133	DATA, FURNACE PCB MEMORY CHIP (M23)		
0130F00022	DATA, FURNACE PCB MEMORY CHIP (M1)		
0130F00081	DATA, FURNACE PCB MEMORY CHIP (M2)		
0130F00028	DATA, FURNACE PCB MEMORY CHIP (M14)		
0130F00087	DATA, FURNACE PCB MEMORY CHIP (M15)		
0130F00010	FLAME SENSOR		
0151F00000P	GAS VALVE - WHITE-RODGERS 2-STAGE (M1, M3, M14, M16, M18)		
0151M00028	GAS VALVE,(HW)VR92 (M2, M4, M5, M6, M7, M8, M9, M10, M11, M12, M13, M15, M17, M19, M20, M21, M22, M23, M24, M25, M26, M27, M28)		
0130F00008	IGNITOR-SINI 17 SEC		
0130M00141	INDUCTOR, 5.9 AMPS (GMPE100-4)		
10123517	MANUAL RESET LIMIT (M3, M4, M5, M6, M7, M8, M9, M10, M11, M12, M13, M16, M17, M18, M19, M20, M21, M22, M23, M24, M25, M26, M27, M28)		
10123536	MANUAL RESET LIMIT 180°F (M3, M4, M16, M17, M18)		
10123534	MANUAL RESET LIMIT 220°F (M1, M2, M14, M15)		
0131M00272	MOTOR, 1 HP, SERIAL ECM (M3, M4, M9, M10, M11, M12, M13, M16, M17, M18, M19, M20, M21, M26, M27, M28)		
0131M00271	MOTOR, 3/4 HP, SERIAL ECM (M1, M2, M5, M6, M7, M8, M14, M15, M22, M23, M24, M25)		
PCBKF103	PCB, CONTROL, FURNACE (M8, M12, M13, M21, M25, M28)		
PCBKF102	PCB, CONTROL, FURNACE (M1, M2, M3, M4, M5, M6, M7, M9, M10, M11, M14, M15, M16, M17, M18, M19, M20, M22, M23, M24, M26, M27)		
0130F00100	PRESSURE SWITCH (M5, M6, M7, M8, M9, M10, M11, M12, M22, M23, M24, M25, M26, M27, M28)		

SPECIAL PARTS

0161M00003P	AMANA NAMEPLATE (M1, M2, M3, M4, M5, M6, M7, M8, M9, M10, M11, M12, M13)
0161F00000P	GOODMAN NAMEPLATE (M14, M15, M16, M17, M18, M19, M20, M21, M22, M23, M24, M25, M26, M27, M28)

Expanded Model Nomenclature

M1 - ACVC90704CXAA
M2 - ACVC90704CXAB
M3 - ACVC90905DXAA
M4 - ACVC90905DXAB
M5 - ACVC950714CXAA
M6 - ACVC950714CXAB
M7 - ACVC950714CXAC
M8 - ACVC950714CXAD
M9 - ACVC950915DXAA
M10 - ACVC950915DXAB
M11 - ACVC950915DXAC
M12 - ACVC950915DXAD
M13 - ACVC951155DXAA
M14 - GCVC90704CXAA
M15 - GCVC90704CXAB
M16 - GCVC90905DXAA
M17 - GCVC90905DXAB
M18 - GCVC91155DXAA
M19 - GCVC91155DXAB
M20 - GCVC91155DXAC
M21 - GCVC91155DXAF
M22 - GCVC950714CXAA
M23 - GCVC950714CXAB
M24 - GCVC950714CXAC
M25 - GCVC950714CXAD
M26 - GCVC950915DXAA
M27 - GCVC950915DXAC
M28 - GCVC950915DXAD

Cabinet

Image 1

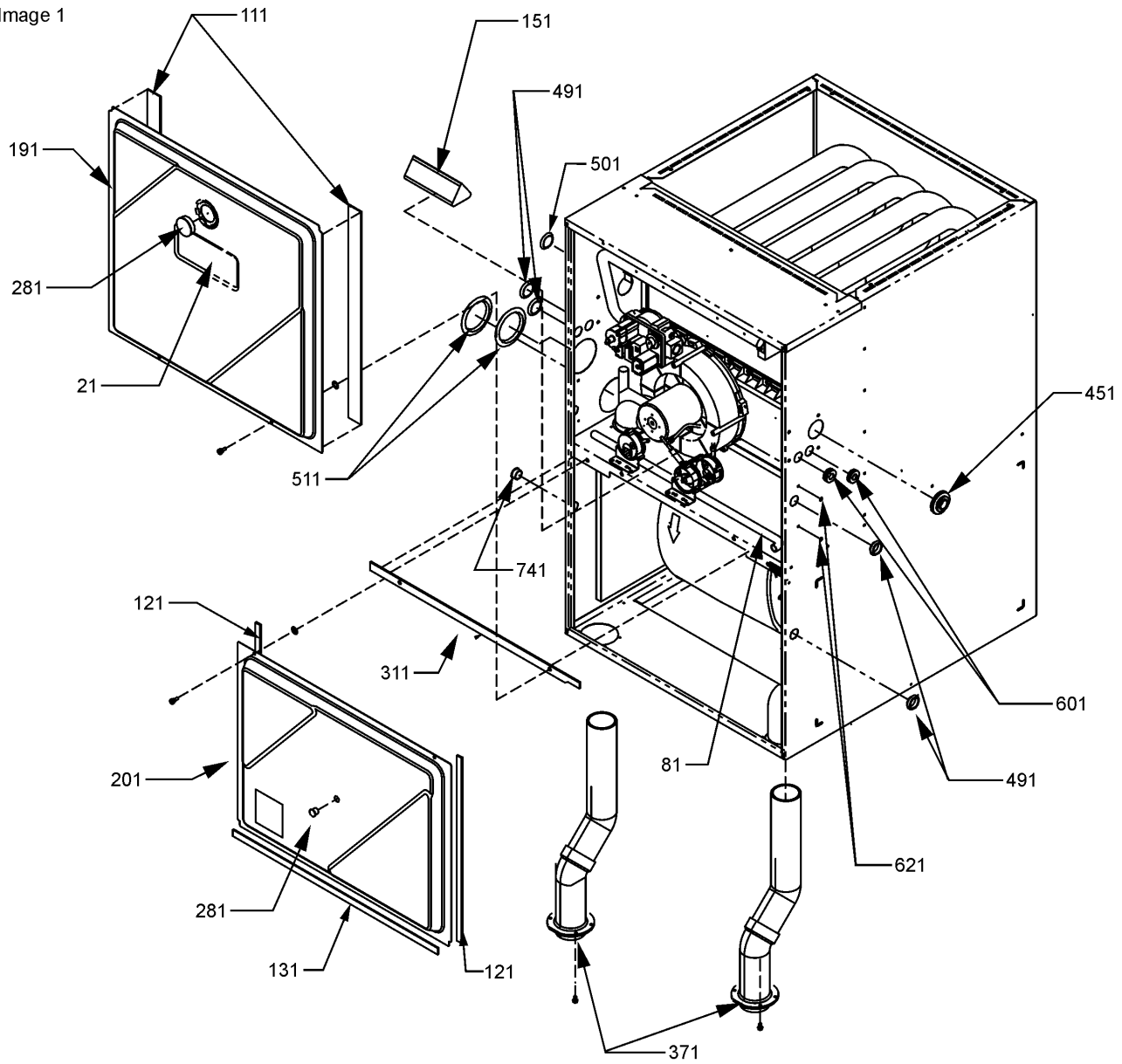
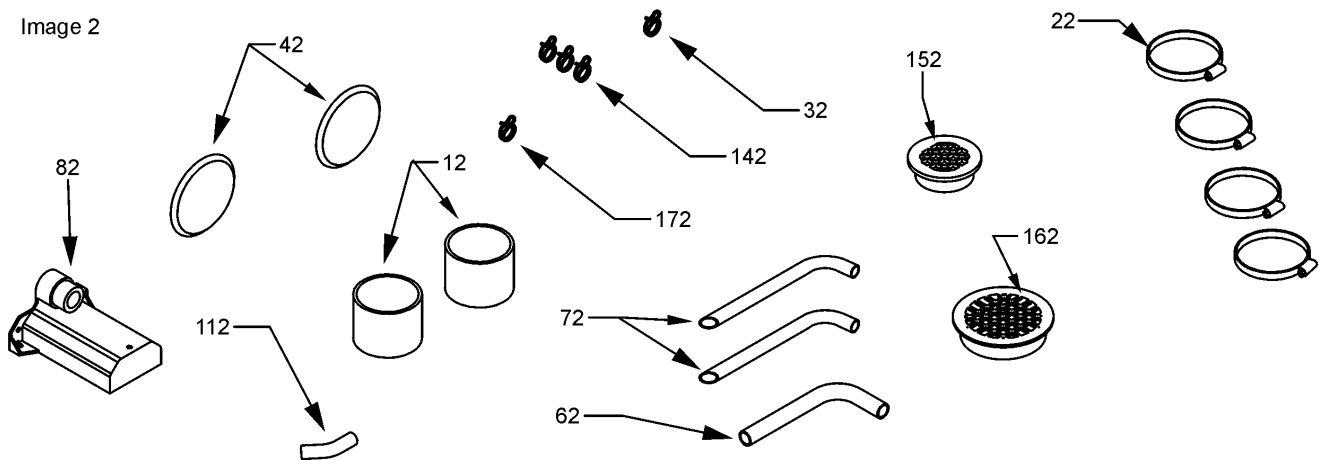


Image 2



Cabinet

**Ref. Part
No: No:**

Description:

**Ref. Part
No: No:**

Description:

Image 1:

21	0161M00003P	AMANA NAMEPLATE (M1, M2, M3, M4, M5, M6, M7, M8, M9, M10, M11, M12, M13)
21	0161F00000P	GOODMAN NAMEPLATE (M14, M15, M16, M17, M18, M19, M20, M21, M22, M23, M24, M25, M26, M27, M28)
81	20201902	DRAIN HOSE
111	20179308	GASKET (QTY 2)
121	20179311	GASKET (QTY 2)
131	20179312	GASKET (M1, M2, M5, M6, M7, M8, M14, M15, M22, M23, M24, M25)
131	20179313	GASKET (M3, M4, M9, M10, M11, M12, M13, M16, M17, M18, M19, M20, M21, M26, M27, M28)
151	10195518	STANDPIPE BAG ASSY
191	0121F00067LG	ACCESS DOOR (M1, M2, M5, M6, M7, M8)
191	0121F00068LG	ACCESS DOOR (M3, M4, M9, M10, M11, M12, M13)
191	0121F00073DG	ACCESS DOOR (M14, M15, M22, M23, M24, M25)
191	0121F00074DG	ACCESS DOOR (M16, M17, M18, M19, M20, M21, M26, M27, M28)
201	0121F00064LG	BLOWER DOOR (M1, M2, M5, M6, M7, M8)
201	0121F00065LG	BLOWER DOOR (M3, M4, M9, M10, M11, M12, M13)
201	0121F00070DG	BLOWER DOOR (M14, M15, M22, M23, M24, M25)
201	0121F00071DG	BLOWER DOOR (M16, M17, M18, M19, M20, M21, M26, M27, M28)
281	B1392139	VIEW PORT BUSHING-BLOWER DOOR (QTY 2)
311	22320002	DECK GASKET (M1, M2, M5, M6, M7, M8, M14, M15, M22, M23, M24, M25)
311	22320003	DECK GASKET (M3, M4, M9, M10, M11, M12, M13, M16, M17, M18, M19, M20, M21, M26, M27, M28)
371	22309502	FLUE PIPE (QTY 2)
451	M0501301	PIPE GROMMET
491	M0570808	BUTTON PLUG (QTY 4)
501	M0570806	BUTTON PLUG
511	M0570807	BUTTON PLUG (QTY 2)
601	A4691701	GROMMET (QTY 2)
621	M0310345	BUTTON PLUG (QTY 2)
741	B1392104	UNIVERSAL BUSHING UB 875

Image 2:

22	0163M00049	HOSE CLAMP (QTY 2)
32	M0119207	HOSE CLAMP
42	M0570807	BUTTON PLUG (QTY 2)
62	20201901	DRAIN HOSE
72	20201802	DRAIN TUBE (QTY 2)
82	20171701	DRAIN TRAP
112	20214203	DRAIN ANGLE
142	M0119205	HOSE CLAMP (QTY 3)
152	B2810816	2" MESH INSERT
162	B2810814	3" MESH INSERT
172	M0119206	HOSE CLAMP

Expanded Model Nomenclature

M1 - ACVC90704CXAA
M2 - ACVC90704CXAB
M3 - ACVC90905DXAA
M4 - ACVC90905DXAB
M5 - ACVC950714CXAA
M6 - ACVC950714CXAB
M7 - ACVC950714CXAC
M8 - ACVC950714CXAD
M9 - ACVC950915DXAA
M10 - ACVC950915DXAB
M11 - ACVC950915DXAC
M12 - ACVC950915DXAD
M13 - ACVC951155DXAA
M14 - GCVC90704CXAA
M15 - GCVC90704CXAB
M16 - GCVC90905DXAA
M17 - GCVC90905DXAB
M18 - GCVC91155DXAA
M19 - GCVC91155DXAB
M20 - GCVC91155DXAC
M21 - GCVC91155DXAF
M22 - GCVC950714CXAA
M23 - GCVC950714CXAB
M24 - GCVC950714CXAC
M25 - GCVC950714CXAD
M26 - GCVC950915DXAA
M27 - GCVC950915DXAB
M28 - GCVC950915DXAD

Blower Assembly

*If end bells are needed please order the following:

0131M00182 - 1/2 HP

0131M00183 - 3/4 HP

0131M00184 - 1 HP

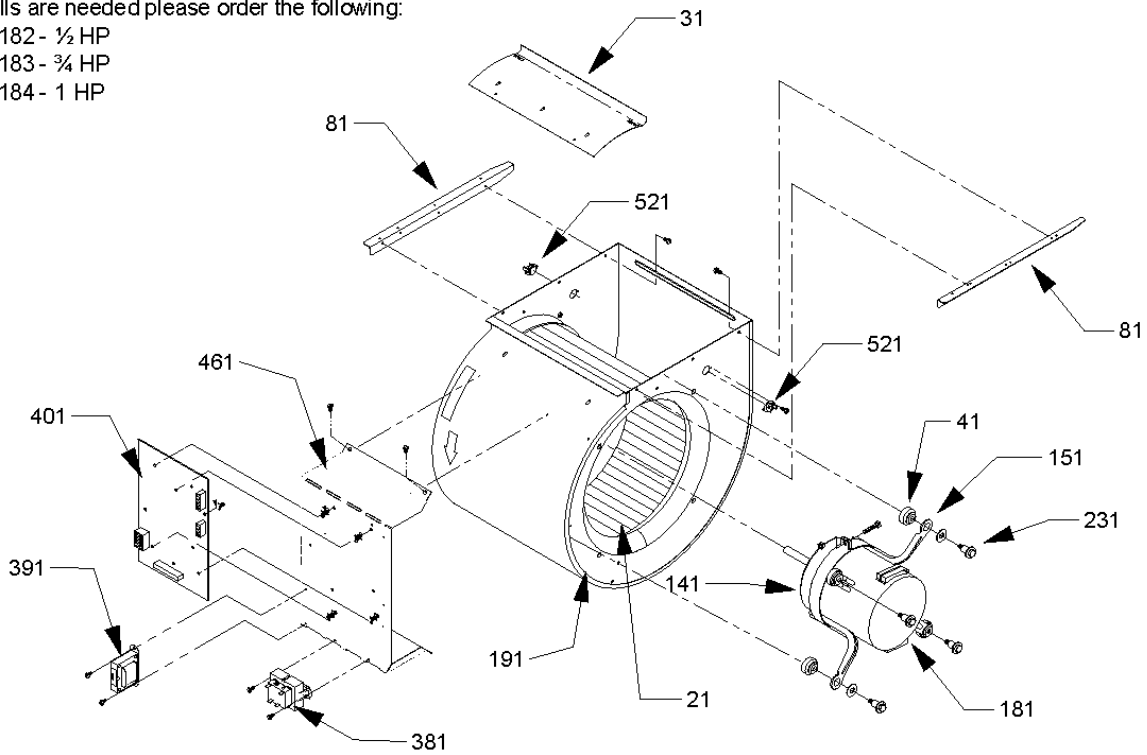
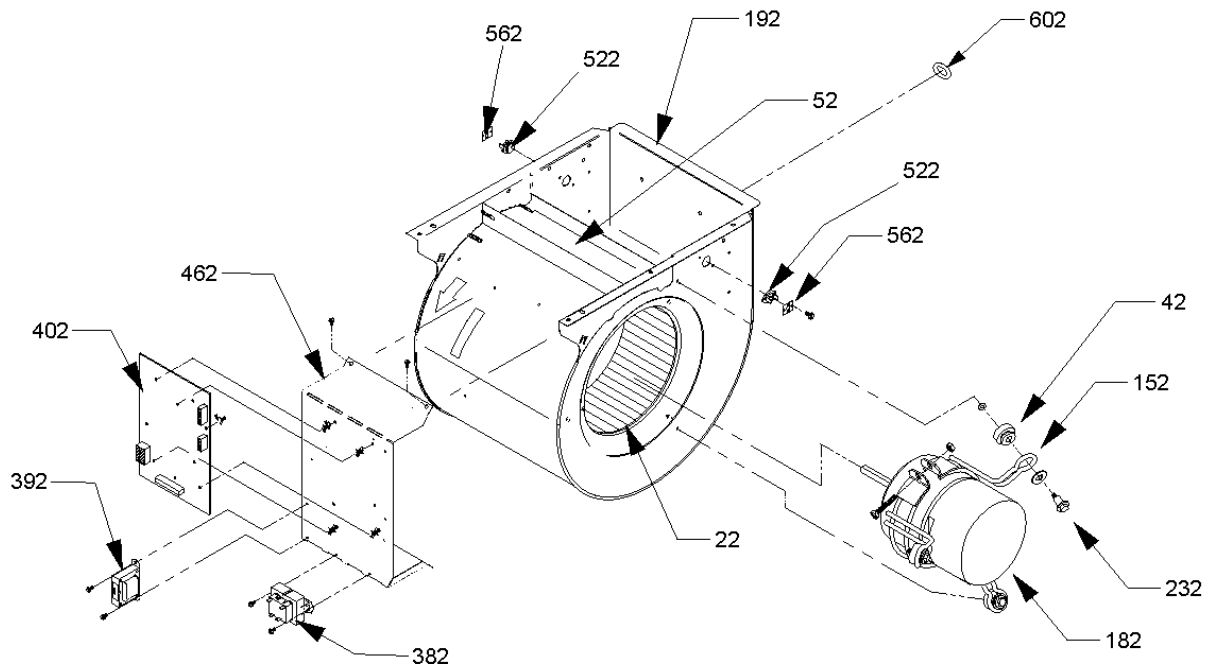


Image 1

Image 2



Blower Assembly

Ref. Part No:	No:	Description:	Ref. Part No:	No:	Description:
<i>Image 1:</i>			<i>Image 1:</i>		
21	D6723311	BLOWER WHEEL (M3, M4, M9, M10, M11, M12, M13, M16, M17, M18, M19, M20, M21, M26, M27, M28)	521	0130F00038	PRIMARY LIMIT - LT BLUE 120° (M5, M6, M7, M8, M9, M10, M11, M12, M13, M19, M20, M21, M22, M23, M24, M25, M26, M27, M28)
21	B1368047	BLOWER WHEEL 10 X 10 (M5, M6, M7, M8, M22, M23, M24, M25)	NS	0259F00040	CONTROL HARNESS (M3, M4, M5, M6, M7, M8, M9, M10, M11, M12, M13, M16, M17, M18, M19, M20, M21, M22, M23, M24, M25, M26, M27, M28)
31	764741F	BLOWER BLOCK-OFF 10 X 10 (M5, M6, M7, M8, M22, M23, M24, M25)	NS	0130F00023	DATA, FURNACE PCB MEMORY CHIP (M3)
31	C6121807	BLOWER CUT-OFF (M3, M4, M9, M10, M11, M12, M13, M16, M17, M18, M19, M20, M21, M26, M27, M28)	NS	0130F00029	DATA, FURNACE PCB MEMORY CHIP (M16)
41	A4002702	BLOWER GROMMET (M3, M4, M9, M10, M11, M12, M13, M16, M17, M18, M19, M20, M21, M26, M27, M28)	NS	0130F00030	DATA, FURNACE PCB MEMORY CHIP (M18)
81	20175101	BLOWER SIDE RAIL (M3, M4, M9, M10, M11, M12, M13, M18, M19, M20, M21)	NS	0130F00082	DATA, FURNACE PCB MEMORY CHIP (M4)
141	0121M00038	MOTOR MOUNT BAND (M5, M6, M7, M8, M22, M23, M24, M25)	NS	0130F00088	DATA, FURNACE PCB MEMORY CHIP (M17)
141	10441601	MOTOR MOUNT BAND (M3, M4, M9, M10, M11, M12, M13, M16, M17, M18, M19, M20, M21, M26, M27, M28)	NS	0130F00089	DATA, FURNACE PCB MEMORY CHIP (M19)
151	10441501	MOTOR MOUNT ARM (M3, M4, M9, M10, M11, M12, M13, M16, M17, M18, M19, M20, M21, M26, M27, M28)	NS	0130F00101	DATA, FURNACE PCB MEMORY CHIP (M5)
151	B1376857	MOTOR MOUNT ARM (M5, M6, M7, M8, M22, M23, M24, M25)	NS	0130F00102	DATA, FURNACE PCB MEMORY CHIP (M9)
181	0131M00272	MOTOR, 1 HP, SERIAL ECM (M3, M4, M9, M10, M11, M12, M13, M16, M17, M18, M19, M20, M21, M26, M27, M28)	NS	0130F00103	DATA, FURNACE PCB MEMORY CHIP (M22)
181	0131M00271	MOTOR, 3/4 HP, SERIAL ECM (M5, M6, M7, M8, M22, M23, M24, M25)	NS	0130F00104	DATA, FURNACE PCB MEMORY CHIP (M26)
191	0271F00004P	BLOWER HOUSING ASSY 10 X 10 (M5, M6, M7, M8, M22, M23, M24, M25)	NS	0130F00132	DATA, FURNACE PCB MEMORY CHIP (M20)
191	0271F00047	BLOWER HOUSING ASSY 11 X 10 (M3, M4, M9, M10, M11, M12, M13, M16, M17, M18, M19, M20, M21, M26, M27, M28)	NS	0130F00133	DATA, FURNACE PCB MEMORY CHIP (M23)
231	M0221461	TC SCREW (M3, M4, M9, M10, M11, M12, M13, M16, M17, M18, M19, M20, M21, M26, M27, M28)	NS	0130F00142	DATA, FURNACE PCB MEMORY CHIP (M6)
231	M0250565	TC SCREW 1.25" (M5, M6, M7, M8, M22, M23, M24, M25)	NS	0130F00143	DATA, FURNACE PCB MEMORY CHIP (M10)
381	0130M00140	TRANSFORMER 120V TO 24V, 40 VA (M3, M4, M5, M6, M7, M8, M9, M10, M11, M12, M13, M16, M17, M18, M19, M20, M21, M22, M23, M24, M25, M26, M27, M28)	NS	0130F00178	DATA, FURNACE PCB MEMORY CHIP (M7)
391	0130M00141	INDUCTOR, 5.9 AMPS (GMPE100-4) (M3, M4, M5, M6, M7, M8, M9, M10, M11, M12, M13, M16, M17, M18, M19, M20, M21, M22, M23, M24, M25, M26, M27, M28)	NS	0130F00179	DATA, FURNACE PCB MEMORY CHIP (M11)
401	PCBKF102	PCB, CONTROL, FURNACE (M3, M4, M5, M6, M7, M9, M10, M11, M16, M17, M18, M19, M20, M22, M23, M24, M26, M27)	NS	0130F00186	DATA, FURNACE PCB MEMORY CHIP (M24)
401	PCBKF103	PCB, CONTROL, FURNACE (M8, M12, M13, M21, M25, M28)	NS	0130F00187	DATA, FURNACE PCB MEMORY CHIP (M27)
461	0121F00094	CONTROL MOUNT PANEL (M3, M4, M5, M6, M7, M8, M9, M10, M11, M12, M13, M16, M17, M18, M19, M20, M21, M22, M23, M24, M25, M26, M27, M28)	NS	0130F00270	DATA, FURNACE PCB MEMORY CHIP (M8)
521	10123536	MANUAL RESET LIMIT 180°F (M3, M4, M16, M17, M18)	NS	0130F00271	DATA, FURNACE PCB MEMORY CHIP (M12)
			NS	0130F00278	DATA, FURNACE PCB MEMORY CHIP (M25)
			NS	0130F00279	DATA, FURNACE PCB MEMORY CHIP (M28)
			NS	0130F00374	DATA, FURNACE PCB MEMORY CHIP (M13)
			NS	0130F00400	DATA, FURNACE PCB MEMORY CHIP (M21)
			NS	0159F00012	HARNESS, WIRING (M3, M4, M5, M6, M9, M10, M16, M17, M18, M19, M20, M22, M23, M26)
			NS	0259F00041	POWER HARNESS (M3, M4, M5, M6, M7, M8, M9, M10, M11, M12, M13, M16, M17, M18, M19, M20, M21, M22, M23, M24, M25, M26, M27, M28)
			NS	0259F00024	WIRE HARNESS-BLOWER (M3, M4, M5, M6, M7, M8, M9, M10, M11, M12, M13, M16, M17, M18, M19, M20, M21, M22, M23, M24, M25, M26, M27, M28)

Blower Assembly

Ref. Part No: No:	Description:	Ref. Part No: No:	Description:
-------------------	--------------	-------------------	--------------

Image 2:

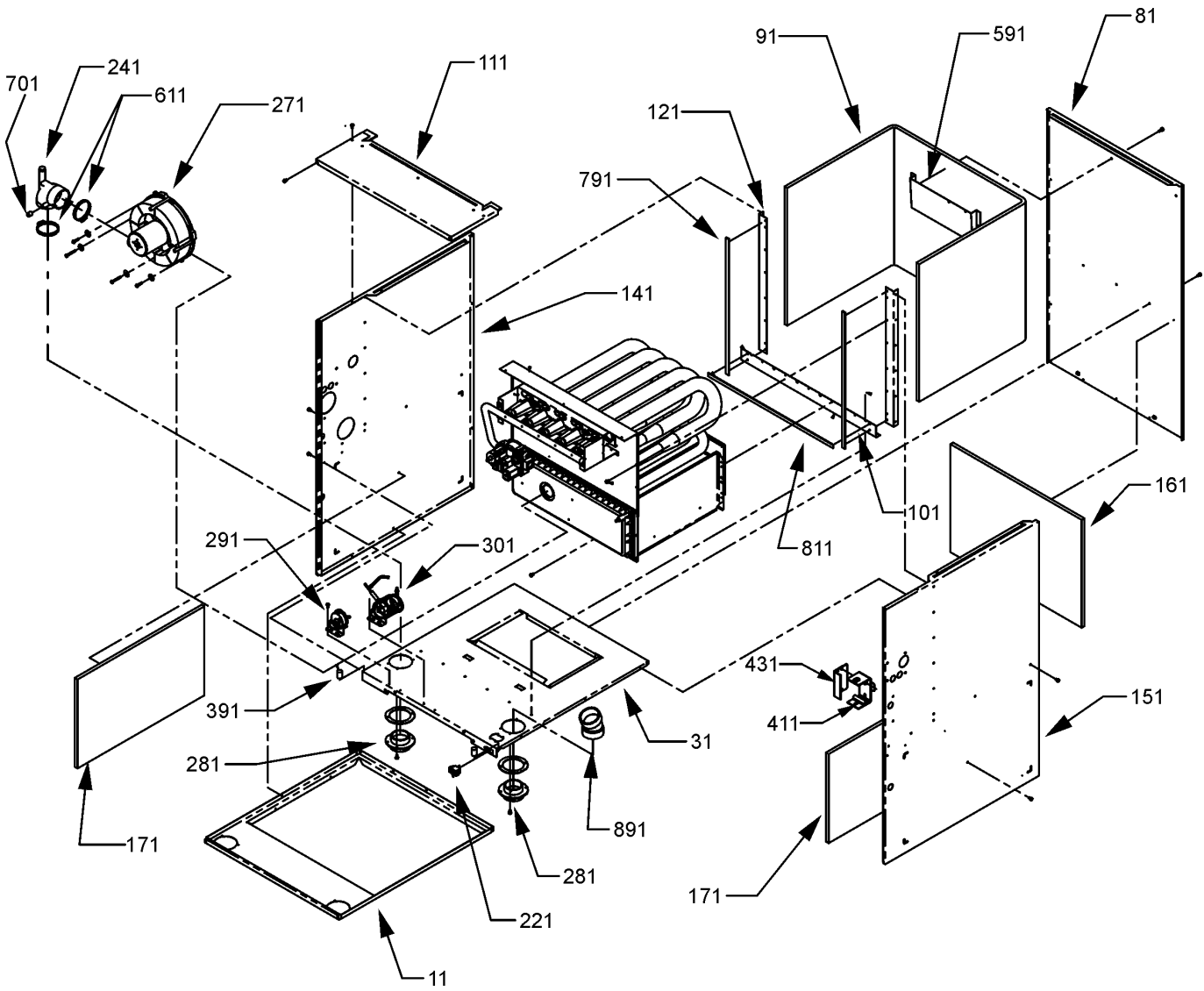
22	B1368047	BLOWER WHEEL 10 X 10 (M1, M2, M14, M15)
42	A4002702	BLOWER MOTOR GROMMET (M1, M2, M14, M15)
52	764741F	BLOWER BLOCK-OFF 10 X 10 (M1, M2, M14, M15)
152	C9443702	MOTOR MOUNT BRACKET (M1, M2, M14, M15)
182	0131M00271	MOTOR, 3/4 HP, SERIAL ECM (M1, M2, M14, M15)
192	0271F00004P	BLOWER HOUSING ASSY 10 X 10 (M1, M2, M14, M15)
232	M0250558	TC SCREW (M1, M2, M14, M15)
382	0130M00140	TRANSFORMER 120V TO 24V, 40 VA (M1, M2, M14, M15)
392	0130M00141	INDUCTOR, 5.9 AMPS (GMPE100-4) (M1, M2, M14, M15)
402	PCBKF102	PCB, CONTROL, FURNACE (M1, M2, M14, M15)
462	0121F00094	CONTROL MOUNT PANEL (M1, M2, M14, M15)
522	10123534	MANUAL RESET LIMIT 220°F (M1, M2, M14, M15)
562	2509503F	AUXILIARY LIMIT BRACKET (M1, M2, M14, M15)
602	B1392021	PLASTIC PLUG, 1" (2713-BLK) (M1, M2, M14, M15)
NS	0259F00040	CONTROL HARNESS (M1, M2, M14, M15)
NS	0130F00022	DATA, FURNACE PCB MEMORY CHIP (M1)
NS	0130F00028	DATA, FURNACE PCB MEMORY CHIP (M14)
NS	0130F00081	DATA, FURNACE PCB MEMORY CHIP (M2)
NS	0130F00087	DATA, FURNACE PCB MEMORY CHIP (M15)
NS	0159F00012	HARNESS, WIRING (M1, M2, M14, M15)
NS	0259F00041	POWER HARNESS HIGH VOLTAGE (M1, M2, M14, M15)
NS	0259F00024	WIRE HARNESS-BLOWER (M1, M2, M14, M15)

Expanded Model Nomenclature

M1 - ACVC90704CXAA
M2 - ACVC90704CXAB
M3 - ACVC90905DXAA
M4 - ACVC90905DXAB
M5 - ACVC950714CXAA
M6 - ACVC950714CXAB
M7 - ACVC950714CXAC
M8 - ACVC950714CXAD
M9 - ACVC950915DXAA
M10 - ACVC950915DXAB
M11 - ACVC950915DXAC
M12 - ACVC950915DXAD
M13 - ACVC951155DXAA
M14 - GCVC90704CXAA
M15 - GCVC90704CXAB
M16 - GCVC90905DXAA
M17 - GCVC90905DXAB
M18 - GCVC91155DXAA
M19 - GCVC91155DXAB
M20 - GCVC91155DXAC
M21 - GCVC91155DXAF
M22 - GCVC950714CXAA
M23 - GCVC950714CXAB
M24 - GCVC950714CXAC
M25 - GCVC950714CXAD
M26 - GCVC950915DXAA
M27 - GCVC950915DXAC
M28 - GCVC950915DXAD

*If end bells are needed please order the following:
 0131M00182 - 1/2 HP
 0131M00183 - 3/4 HP
 0131M00184 - 1 HP

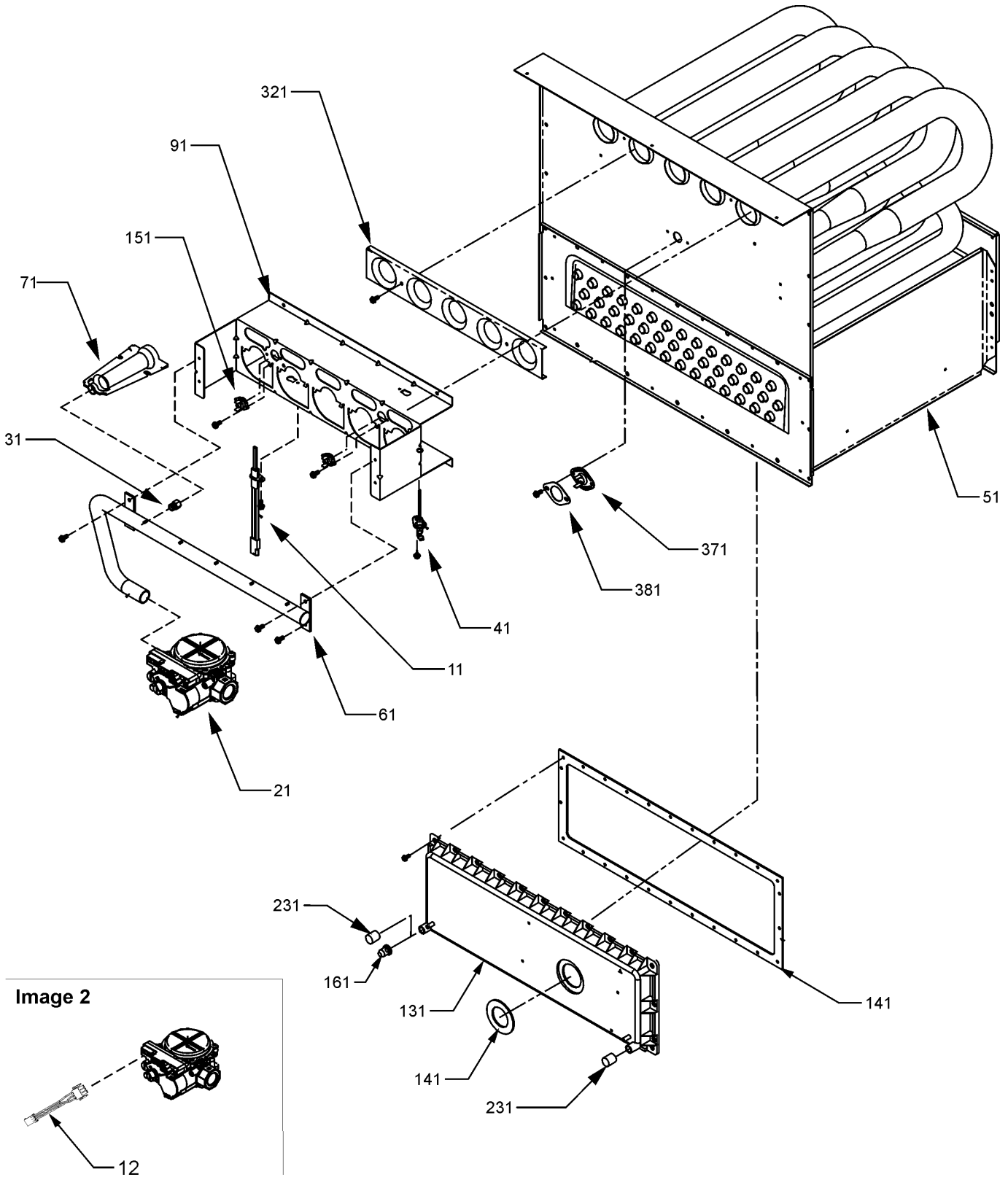
Chassis



Chassis

Ref. Part No:	No:	Description:	Ref. Part No:	No:	Description:																												
<i>Image 1:</i>			<i>Image 1:</i>																														
11	20273509	BASEPAN-C'FLOW FURN (M1, M2, M5, M6, M7, M8, M14, M15, M22, M23, M24, M25)	411	0161F00012	JUNCTION BOX-PLA (M6, M7, M8, M10, M11, M12, M13, M20, M21, M23, M24, M25, M27, M28)																												
11	20273511	BASEPAN-C'FLOW FURN (M3, M4, M9, M10, M11, M12, M13, M16, M17, M18, M19, M20, M21, M26, M27, M28)	431	0161F00005S	JUNCTION BOX COVER (M1, M2, M3, M4, M5, M9, M14, M15, M16, M17, M18, M19, M22, M26)																												
31	0121F00046	BLOWER DECK (M1, M2, M5, M6, M7, M8, M14, M15, M22, M23, M24, M25)	431	0161F00013	JUNCTION BOX-LID (M6, M7, M8, M10, M11, M12, M13, M20, M21, M23, M24, M25, M27, M28)																												
31	0121F00049	BLOWER DECK (M3, M4, M9, M10, M11, M12, M13, M16, M17, M18, M19, M20, M21, M26, M27, M28)	591	11165107	ID BLOWER SHIELD																												
81	20273216	BACK PANEL (M1, M2, M5, M6, M7, M8, M14, M15, M22, M23, M24, M25)	611	0163M00049	HOSE CLAMP (QTY 2)																												
81	20273218	BACK PANEL (M3, M4, M9, M10, M11, M12, M13, M16, M17, M18, M19, M20, M21, M26, M27, M28)	701	M0326804	TUBE PLUG																												
91	C6415909	HEAT EXCHANGER INSULATION (M3, M4, M9, M10, M11, M12, M13, M16, M17, M18, M19, M20, M21, M26, M27, M28)	791	20194608	GASKET (QTY 2)																												
91	C6415911	HEAT EXCHANGER INSULATION (M1, M2, M5, M6, M7, M8, M14, M15, M22, M23, M24, M25)	811	20194606	GASKET (M1, M2, M5, M6, M7, M8, M14, M15, M22, M23, M24, M25)																												
101	0121F00019P	DECK RAIL (M1, M2, M5, M6, M7, M8, M14, M15, M22, M23, M24, M25)	811	20194607	GASKET (M3, M4, M9, M10, M11, M12, M13, M16, M17, M18, M19, M20, M21, M26, M27, M28)																												
101	20191303	DECK RAIL (M3, M4, M9, M10, M11, M12, M13, M16, M17, M18, M19, M20, M21, M26, M27, M28)	891	C6455901	ELBOW-22 1/2 ELL																												
111	0270F00104P	TOP COVER ASSY (M1, M2, M5, M6, M7, M8, M14, M15, M22, M23, M24, M25)	NS	0164M00003	PRESSURE SWITCH HOSE																												
111	0270F00105P	TOP COVER ASSY (M3, M4, M9, M10, M11, M12, M13, M16, M17, M18, M19, M20, M21, M26, M27, M28)	NS	0164M00011	PRESSURE SWITCH HOSE (M1, M2, M5, M6, M14, M15, M22, M23)																												
121	20191603	SIDE RAIL (M1, M2, M5, M6, M7, M8, M14, M15, M22, M23, M24, M25)	NS	0164M00013	PRESSURE SWITCH HOSE (M3, M4, M9, M10, M16, M17, M18, M19, M20, M26)																												
121	20191604	SIDE RAIL (M3, M4, M9, M10, M11, M12, M13, M16, M17, M18, M19, M20, M21, M26, M27, M28)	Expanded Model Nomenclature																														
141	0121F00093DG	SIDE PANEL LH	<table border="1"> <tr><td>M1 - ACVC90704CXAA</td></tr> <tr><td>M2 - ACVC90704CXAB</td></tr> <tr><td>M3 - ACVC90905DXAA</td></tr> <tr><td>M4 - ACVC90905DXAB</td></tr> <tr><td>M5 - ACVC950714CXAA</td></tr> <tr><td>M6 - ACVC950714CXAB</td></tr> <tr><td>M7 - ACVC950714CXAC</td></tr> <tr><td>M8 - ACVC950714CXAD</td></tr> <tr><td>M9 - ACVC950915DXAA</td></tr> <tr><td>M10 - ACVC950915DXAB</td></tr> <tr><td>M11 - ACVC950915DXAC</td></tr> <tr><td>M12 - ACVC950915DXAD</td></tr> <tr><td>M13 - ACVC951155DXAA</td></tr> <tr><td>M14 - GCVC90704CXAA</td></tr> <tr><td>M15 - GCVC90704CXAB</td></tr> <tr><td>M16 - GCVC90905DXAA</td></tr> <tr><td>M17 - GCVC90905DXAB</td></tr> <tr><td>M18 - GCVC91155DXAA</td></tr> <tr><td>M19 - GCVC91155DXAB</td></tr> <tr><td>M20 - GCVC91155DXAC</td></tr> <tr><td>M21 - GCVC91155DXAF</td></tr> <tr><td>M22 - GCVC950714CXAA</td></tr> <tr><td>M23 - GCVC950714CXAB</td></tr> <tr><td>M24 - GCVC950714CXAC</td></tr> <tr><td>M25 - GCVC950714CXAD</td></tr> <tr><td>M26 - GCVC950915DXAA</td></tr> <tr><td>M27 - GCVC950915DXAC</td></tr> <tr><td>M28 - GCVC950915DXAD</td></tr> </table>			M1 - ACVC90704CXAA	M2 - ACVC90704CXAB	M3 - ACVC90905DXAA	M4 - ACVC90905DXAB	M5 - ACVC950714CXAA	M6 - ACVC950714CXAB	M7 - ACVC950714CXAC	M8 - ACVC950714CXAD	M9 - ACVC950915DXAA	M10 - ACVC950915DXAB	M11 - ACVC950915DXAC	M12 - ACVC950915DXAD	M13 - ACVC951155DXAA	M14 - GCVC90704CXAA	M15 - GCVC90704CXAB	M16 - GCVC90905DXAA	M17 - GCVC90905DXAB	M18 - GCVC91155DXAA	M19 - GCVC91155DXAB	M20 - GCVC91155DXAC	M21 - GCVC91155DXAF	M22 - GCVC950714CXAA	M23 - GCVC950714CXAB	M24 - GCVC950714CXAC	M25 - GCVC950714CXAD	M26 - GCVC950915DXAA	M27 - GCVC950915DXAC	M28 - GCVC950915DXAD
M1 - ACVC90704CXAA																																	
M2 - ACVC90704CXAB																																	
M3 - ACVC90905DXAA																																	
M4 - ACVC90905DXAB																																	
M5 - ACVC950714CXAA																																	
M6 - ACVC950714CXAB																																	
M7 - ACVC950714CXAC																																	
M8 - ACVC950714CXAD																																	
M9 - ACVC950915DXAA																																	
M10 - ACVC950915DXAB																																	
M11 - ACVC950915DXAC																																	
M12 - ACVC950915DXAD																																	
M13 - ACVC951155DXAA																																	
M14 - GCVC90704CXAA																																	
M15 - GCVC90704CXAB																																	
M16 - GCVC90905DXAA																																	
M17 - GCVC90905DXAB																																	
M18 - GCVC91155DXAA																																	
M19 - GCVC91155DXAB																																	
M20 - GCVC91155DXAC																																	
M21 - GCVC91155DXAF																																	
M22 - GCVC950714CXAA																																	
M23 - GCVC950714CXAB																																	
M24 - GCVC950714CXAC																																	
M25 - GCVC950714CXAD																																	
M26 - GCVC950915DXAA																																	
M27 - GCVC950915DXAC																																	
M28 - GCVC950915DXAD																																	
151	0121R00091DG	PANEL-SIDE RH CF FUR																															
161	20006602	INSULATION (M1, M2, M5, M6, M7, M8, M14, M15, M22, M23, M24, M25)																															
161	20006603	INSULATION (M3, M4, M9, M10, M11, M12, M13, M16, M17, M18, M19, M20, M21, M26, M27, M28)																															
171	20006604	SIDE INSULATION (QTY 2)																															
221	B1370818	INTERLOCK SWITCH																															
241	20171802	ELBOW																															
271	0271F00119	ID BLOWER ASSY (M5, M6, M7, M8, M9, M10, M11, M12, M22, M23, M24, M25, M26, M27, M28)																															
271	0271F00126	ID BLOWER ASSY (M1, M2, M3, M4, M13, M14, M15, M16, M17, M18, M19, M20, M21)																															
281	20049701	FA COUPLING (QTY 2)																															
291	0130F00070	PRESSURE SWITCH (M5, M6, M7, M8, M9, M10, M11, M12, M22, M23, M24, M25, M26, M27, M28)																															
291	20197313	PRESSURE SWITCH-PINK (M1, M2, M3, M4, M13, M14, M15, M16, M17, M18, M19, M20, M21)																															
301	0130F00100	PRESSURE SWITCH (M5, M6, M7, M8, M9, M10, M11, M12, M22, M23, M24, M25, M26, M27, M28)																															
301	11177118	PRESURE SWITCH-LIME (M1, M2, M3, M4, M13, M14, M15, M16, M17, M18, M19, M20, M21)																															
391	M0275521	PLASTIC SEALER																															
411	0161F00004S	JUNCTION BOX (M1, M2, M3, M4, M5, M9, M14, M15, M16, M17, M18, M19, M22, M26)																															

Heat Exchanger / Manifold / Gas Valve



Heat Exchanger / Manifold / Gas Valve

**Ref. Part
No: No:**

Description:

**Ref. Part
No: No:**

Description:

Image 1:

11	0130F00008	IGNITOR-SINI 17 SEC
21	0151F00000P	GAS VALVE - WHITE-RODGERS 2-STAGE (M1, M3, M14, M16, M18)
21	0151M00028	GAS VALVE,(HW)VR92 (M2, M4, M5, M6, M7, M8, M9, M10, M11, M12, M13, M15, M17, M19, M20, M21, M22, M23, M24, M25, M26, M27, M28)
31	10716003	ORIFICE (QTY A/R)
41	0130F00010	FLAME SENSOR
51	0257F00197	HEAT EXCHANGER ASSY (M22, M23, M24, M25)
51	0257F00198	HEAT EXCHANGER ASSY (M26, M27, M28)
51	0257F00201	HEAT EXCHANGER ASSY (M5, M6, M7, M8)
51	0257F00202	HEAT EXCHANGER ASSY (M9, M10, M11, M12)
51	0257F00315	HEAT EXCHANGER ASSY (M13)
51	0257F00157	HEAT EXCHANGER ASSY 3B (M1, M2)
51	0257F00160	HEAT EXCHANGER ASSY 3B (M14, M15)
51	0257F00154	HEAT EXCHANGER ASSY 4B (M3, M4)
51	0257F00156	HEAT EXCHANGER ASSY 4B (M16, M17)
51	0257F00162	HEAT EXCHANGER ASSY 5B (M18, M19, M20, M21)
61	20196402	MANIFOLD - 3 BRNR (M1, M2, M5, M6, M7, M8, M14, M15, M22, M23, M24, M25)
61	20196403	MANIFOLD - 4 BRNR (M3, M4, M9, M10, M11, M12, M16, M17, M26, M27, M28)
61	20196404	MANIFOLD - 5 BRNR (M13, M18, M19, M20, M21)
71	10735102	BECKETT BURNER (QTY A/R)
131	20170901A	FRONT COVER (M1, M2, M14, M15)
131	20170907A	FRONT COVER (M5, M6, M7, M8, M22, M23, M24, M25)
131	20171001A	FRONT COVER (M3, M4, M16, M17)
131	20171004A	FRONT COVER (M13, M18, M19, M20, M21)
131	20171006A	FRONT COVER (M9, M10, M11, M12, M26, M27, M28)
141	0154F00001P	COIL GASKET (M1, M2, M5, M6, M7, M8, M14, M15, M22, M23, M24, M25)
141	0154F00002P	COIL GASKET (M3, M4, M9, M10, M11, M12, M13, M16, M17, M18, M19, M20, M21, M26, M27, M28)
151	10123517	MANUAL RESET LIMIT (M3, M4, M5, M6, M7, M8, M9, M10, M11, M12, M13, M16, M17, M18, M19, M20, M21, M22, M23, M24, M25, M26, M27, M28)
151	10123534	MANUAL RESET LIMIT 220°F (M1, M2, M14, M15)
161	M0326804	TUBE PLUG
231	A1781105	CAP-VINYL .500 (QTY 2)
321	11072202	ORIFICE SHIELD (M1, M2, M5, M6, M7, M8, M14, M15, M22, M23, M24, M25)
321	11072203	ORIFICE SHIELD (M3, M4, M9, M10, M11, M12, M16, M17, M26, M27, M28)
321	11072204	ORIFICE SHIELD (M13, M18, M19, M20, M21)
371	0130F00105	LIMIT SWITCH (M9, M10, M11, M12, M26, M27, M28)
371	20162903	PRIMARY LIMIT - BLUE (M1, M2, M14, M15)
371	20162908	PRIMARY LIMIT - GREEN (M3, M4, M16, M17)
371	20162904	PRIMARY LIMIT-TEMPERATURE CONTROL (M5, M6, M7, M8, M22, M23, M24, M25)
371	20162905	PRIMARY LIMIT-YELLOW (M13, M18, M19, M20, M21)
381	10236702	FRAME-WINDOW FUR

Image 2:

Image 2:

12	0259M00004	WIRE HARNESS, ADAPTOR (M2, M4, M5, M6, M9, M10, M15, M17, M19, M20, M22, M23, M26)
----	------------	--

Expanded Model Nomenclature

M1 - ACVC90704CXAA
M2 - ACVC90704CXAB
M3 - ACVC90905DXAA
M4 - ACVC90905DXAB
M5 - ACVC950714CXAA
M6 - ACVC950714CXAB
M7 - ACVC950714CXAC
M8 - ACVC950714CXAD
M9 - ACVC950915DXAA
M10 - ACVC950915DXAB
M11 - ACVC950915DXAC
M12 - ACVC950915DXAD
M13 - ACVC951155DXAA
M14 - GCVC90704CXAA
M15 - GCVC90704CXAB
M16 - GCVC90905DXAA
M17 - GCVC90905DXAB
M18 - GCVC91155DXAA
M19 - GCVC91155DXAB
M20 - GCVC91155DXAC
M21 - GCVC91155DXAF
M22 - GCVC950714CXAA
M23 - GCVC950714CXAB
M24 - GCVC950714CXAC
M25 - GCVC950714CXAD
M26 - GCVC950915DXAA
M27 - GCVC950915DXAC
M28 - GCVC950915DXAD