



Air Conditioning & Heating

# SUBMITTAL DATA FORM

Job Name \_\_\_\_\_

Location \_\_\_\_\_

Purchaser \_\_\_\_\_

Order No. \_\_\_\_\_

Engineer \_\_\_\_\_

Unit No. \_\_\_\_\_

Model No. \_\_\_\_\_

Unit Designation \_\_\_\_\_

Performance Data Certified By: \_\_\_\_\_



## CPG SERIES

### 3- TO 6-TON SELF-CONTAINED PACKAGED GAS/ELECTRIC WITH R-410A

#### Standard Features

- R-410A chlorine-free refrigerant
- High-efficiency scroll compressor
- Patented TuffTube™ dual-diameter tubular heat exchanger
- Copper tube/aluminum fin coils
- Contactor with lugs
- High-capacity, steel-cased filter dryer
- Single-point entry
- 24-volt terminal strip
- Convertible
- Easy to service
- Built-in filter rack with standard 2" filters
- Bottom utility entry
- ARI Certified; ETL Listed

#### Cabinet Features

- Heavy-gauge, galvanized-steel cabinet with UV-resistant powder-paint finish
- Full Perimeter Rail
- Curb Fit

#### Contents

- Performance Data
- Accessories List
- Certified Dimensions
- Individual Accessories Dimensions



\* Complete warranty details available from your local dealer or at [www.goodmanmfg.com](http://www.goodmanmfg.com).



# PERFORMANCE DATA

### Cooling Performance

Tota Capacity \_\_\_\_\_ MBH  
 Sensible Capacity \_\_\_\_\_ MBH  
 Outdoor Design TMP \_\_\_\_\_ °F DB / WB  
 Air Temp entering \_\_\_\_\_  
 Evaporator Coil \_\_\_\_\_ °F  
 Power Input Required \_\_\_\_\_ kW  
 (less blower motor)

### Heating Performance

Total Heating Capacity \_\_\_\_\_ kW  
 \_\_\_\_\_ BTU/h

### Supply Air Blower Performance

Total Supply Air \_\_\_\_\_ CFM  
 Ext. Static Pressure \_\_\_\_\_ IWG  
 Blower Speed \_\_\_\_\_ RPM  
 Power Output Required \_\_\_\_\_ BHP  
 Motor Ratings \_\_\_\_\_ HP  
 Power Input Required \_\_\_\_\_ kW

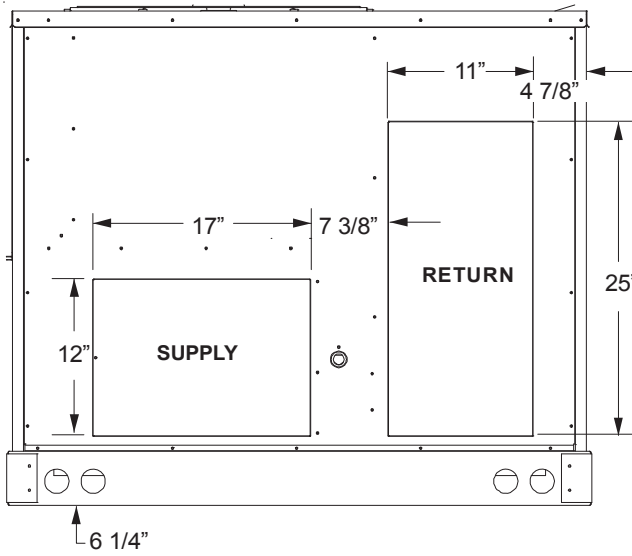
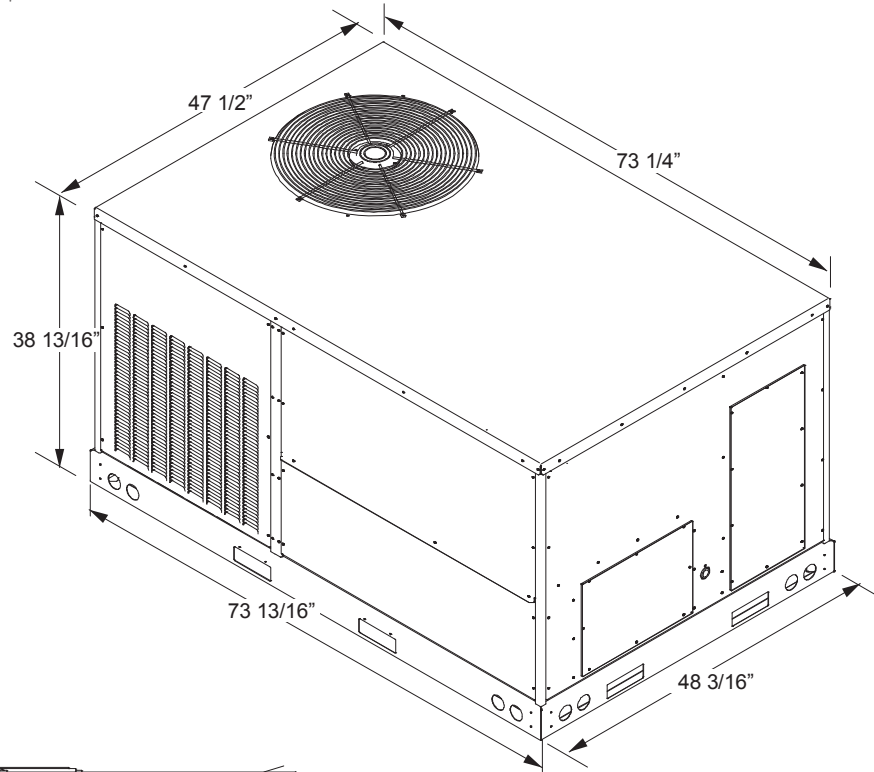
### Electrical Data

Power Supply \_\_\_\_\_  
 Total Unit Amps \_\_\_\_\_ Amps  
**Max Overcurrent Device:**  
 Fuse \_\_\_\_\_ Breaker \_\_\_\_\_ Amps \_\_\_\_\_

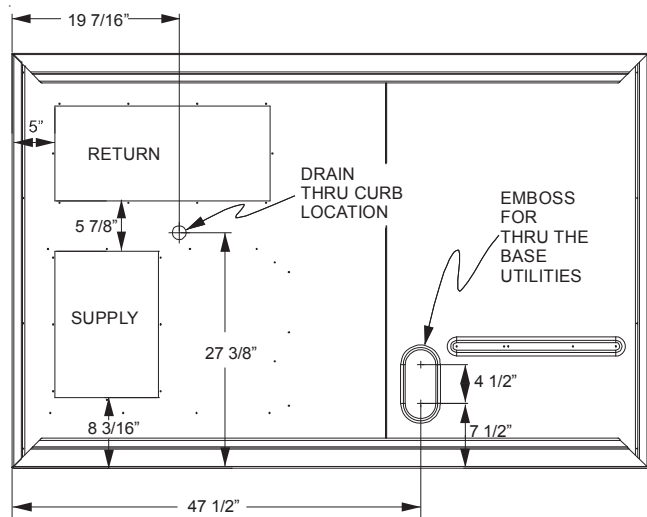
**ACCESSORIES LIST (DETAILED SPECIFICATIONS BEGIN ON PAGE 6.)**

ITEM #	DESCRIPTION	FITS MODEL SIZES	PACKAGE DIMENSIONS (")	SHIP WEIGHT (LBS.)
14CURB3672B	Roof Curb – 14" Tall	3-6 tons	16 x 6 x 76	119
25FD3672	25% Manual Fresh Air Damper	3-6 tons	13 x 15½ x 27	11
25MFD3672	25% Motorized Fresh Air Damper	3-6 tons	13 x 15½ x 27	12
BRD3672	Horizontal Barometric Relief Damper	3-6 tons	15 x 15 x 20	8
CDK4872	Concentric Duct Kit	4-6 tons	25 x 48 x 16	35
DNECONGS3672B	Downflow Economizer	3-6 tons	43 x 20 x 24	75
DNECONGS3672B-NR	Downflow Economizer w/o Barometric Relief	3-6 tons	43 x 20 x 24	75
DNSQRRND4872B	Downflow Square-to-Round Adapter 18" Round	4-6 tons	13 x 33 x 10	11
DNBBS3672B	Burglar Bar Sleeves Includes Supply & Return	3-6 tons	41 x 18 x 13	45
GHRC-1	Hurricane Restraint Clip	All Models	10 x 5 x 4	4
HAILGD04	Condenser Coil Hail Guard	6 tons	41 x 37 x 3	27
HA-02	High-Altitude Kit	All Models	5.4 x 4.6 x 4.1	1.7
HSKT072B	High-Static Kit	6 tons	20 x 7¼ x 8¾	40
HZECONGS3672B	Horizontal Economizer	3-6 tons	16½ x 21½ x 36	75
LAKT01	Low-Ambient Kit	3-6 tons	6 x 6 x 6	3
LPM-05	LP Conversion Kit	3-6 tons	4¼ x 6¼ x 4½	1
PE36722B	Power Exhaust 208/230v CPX Unit	3-6 tons	37 x 18 x 16	35
PE36724B	Power Exhaust 460v CPX Unit	3-6 tons	37 x 18 x 16	35

# DIMENSIONS — 3- TO 5-TON MODELS



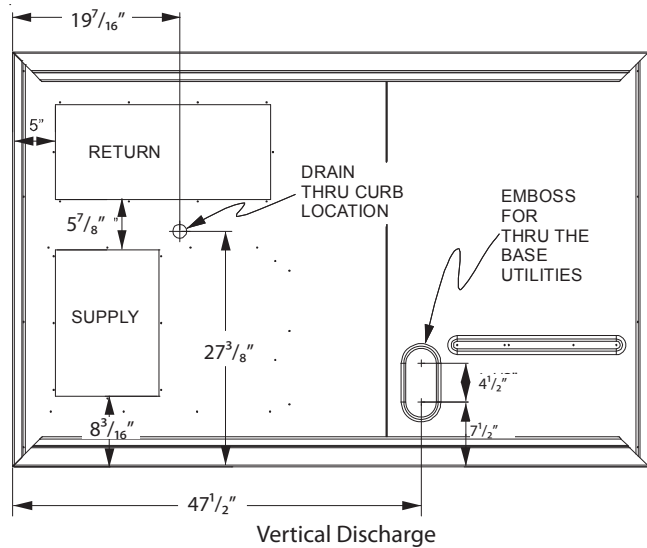
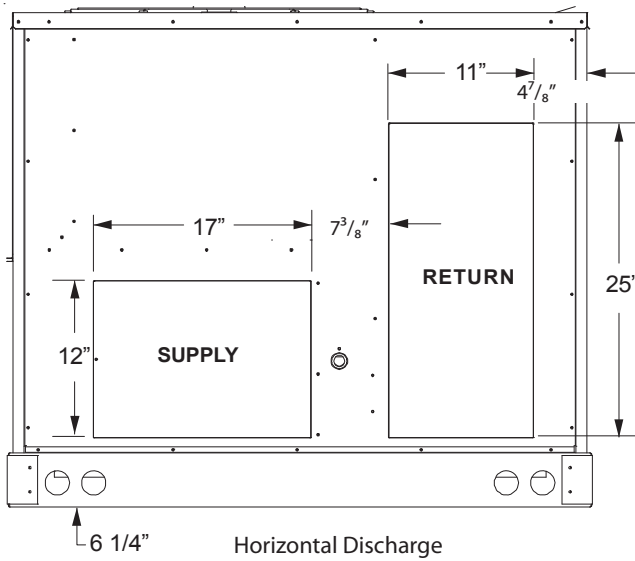
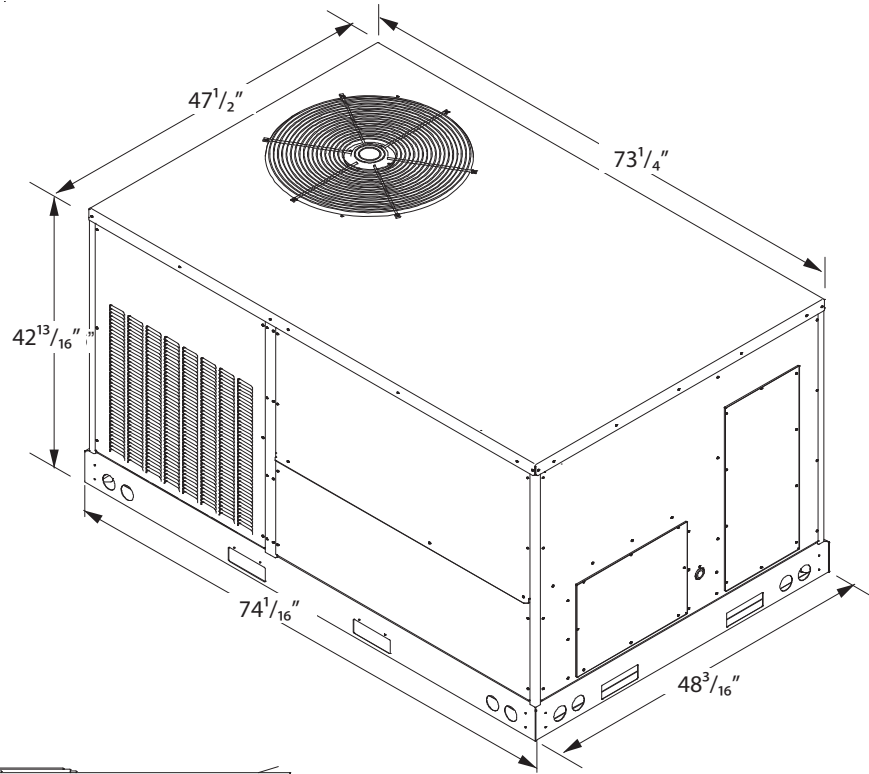
Horizontal Discharge



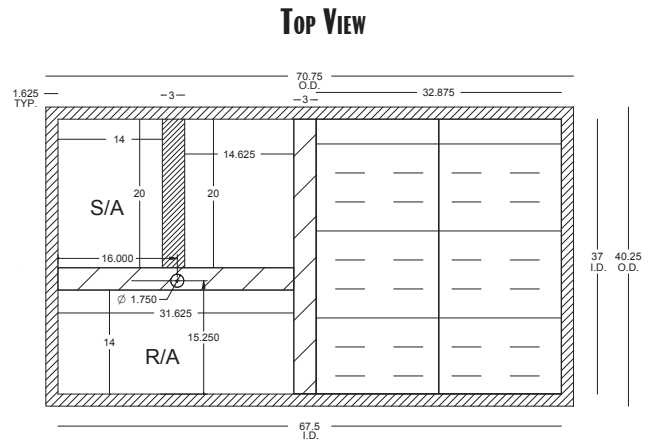
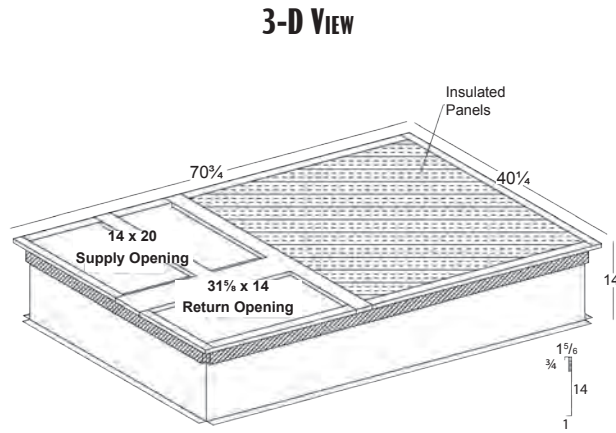
BOTTOM VIEW OF UNIT

Vertical Discharge

# DIMENSIONS — 6-TON MODELS



# Roof CURB — #14CURB3672B



## SPECIFICATIONS

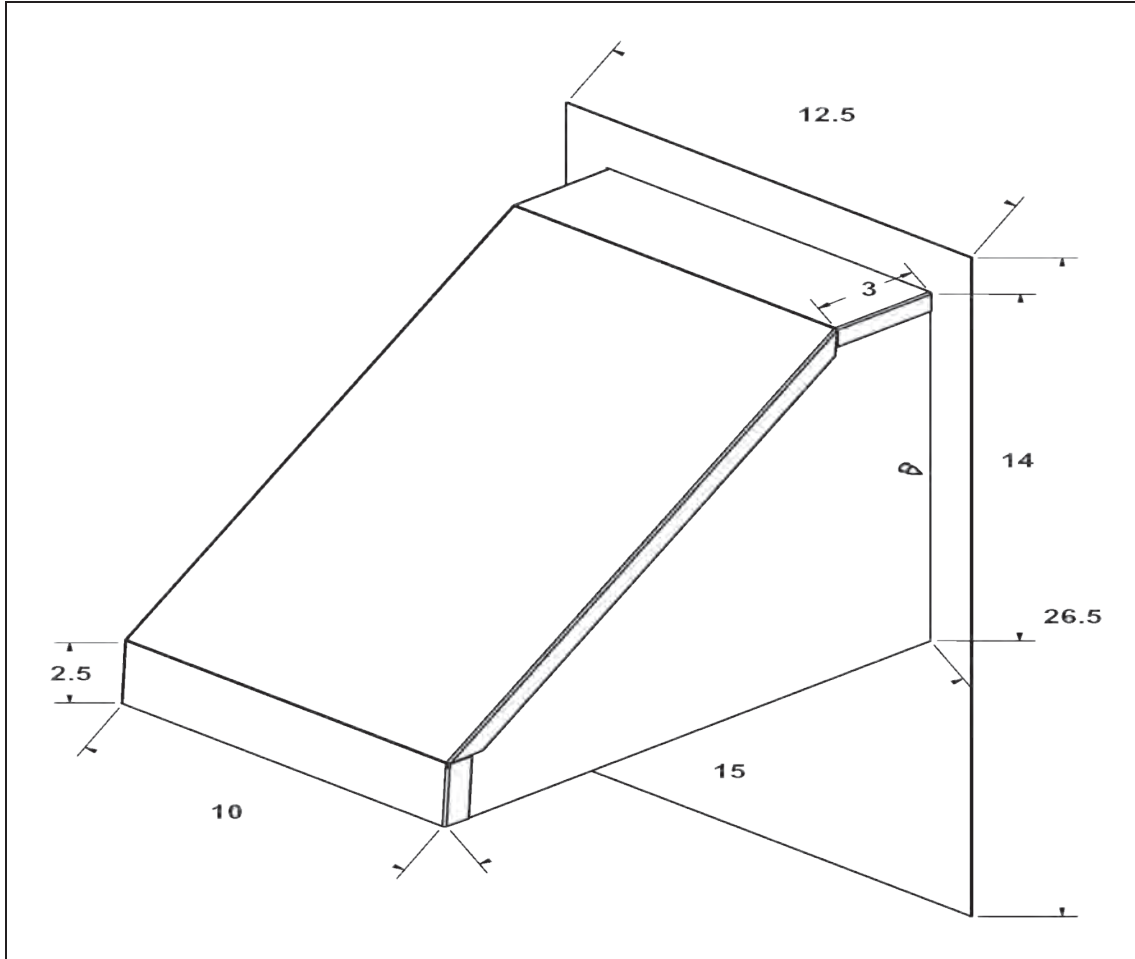
- 18-Gauge Construction
- 1 x 4 Wood Nailer attached to top of the curb
- Shipped knocked down with all hardware
- Gasket included
- Bed-Rail style corners

Note: outside duct dimension should be 1/2" less than opening dimensions above.

## No CURB ADAPTER REQUIRED WHEN REPLACING CARRIER & BRYANT MODELS

No curb adapter is required when replacing an existing Carrier or Bryant RTU with a Goodman RTU in these situations; the footprints and locations of the return and supply duct work match.

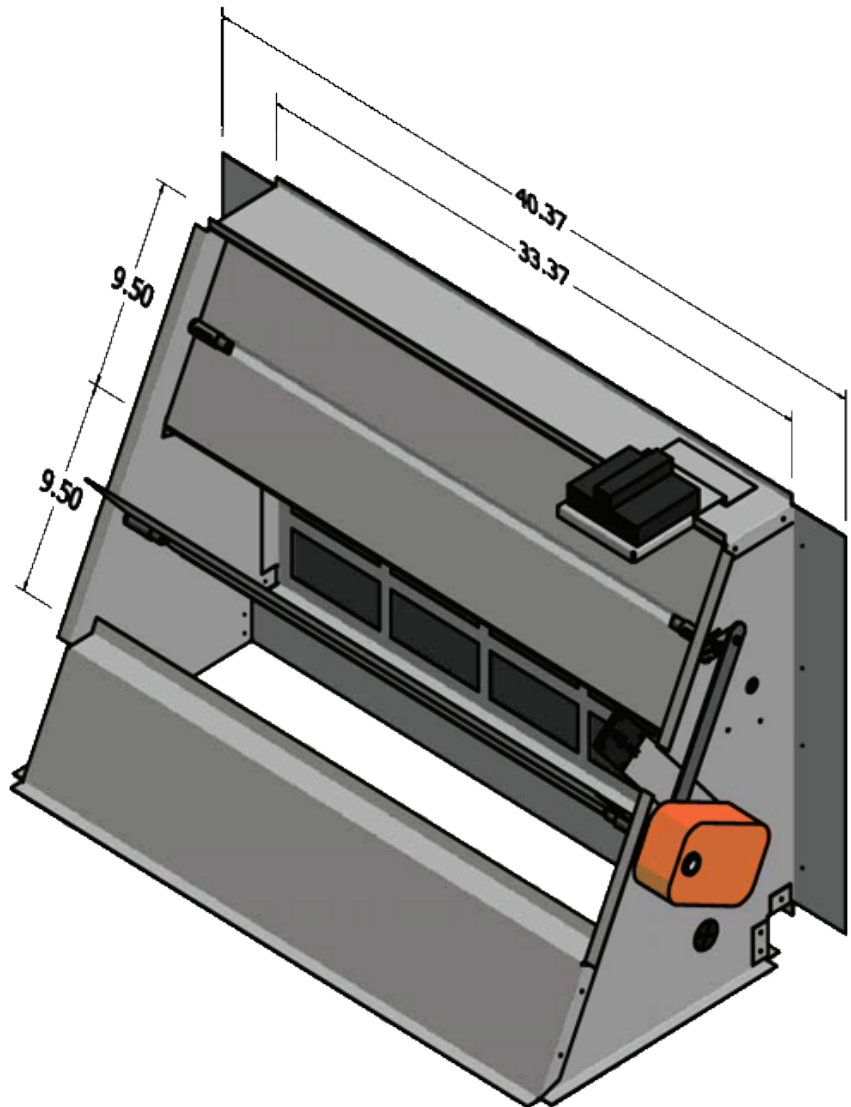
NEW UNIT	EXISTING CARRIER	EXISTING BRYANT
3 TO 6 TONS CPC, CPG, CPH	48/50 TJ, LJ, DJ, QJ 48/50 TM, HJ 004 - 007	580C-D, 558C-D, 548C-D 580F, 558F, 581B 036 - 072

**MANUAL FRESH AIR DAMPER — #25FD3672****MOTORIZED FRESH AIR DAMPER — #25MFD3672****SPECIFICATIONS****Manual Damper**

- Provides up to 25% fresh air
- Locking selection knob provides constant opening
- Painted to match the unit
- Fits all 3- to 5-ton package units in all fuels

**Motorized Damper**

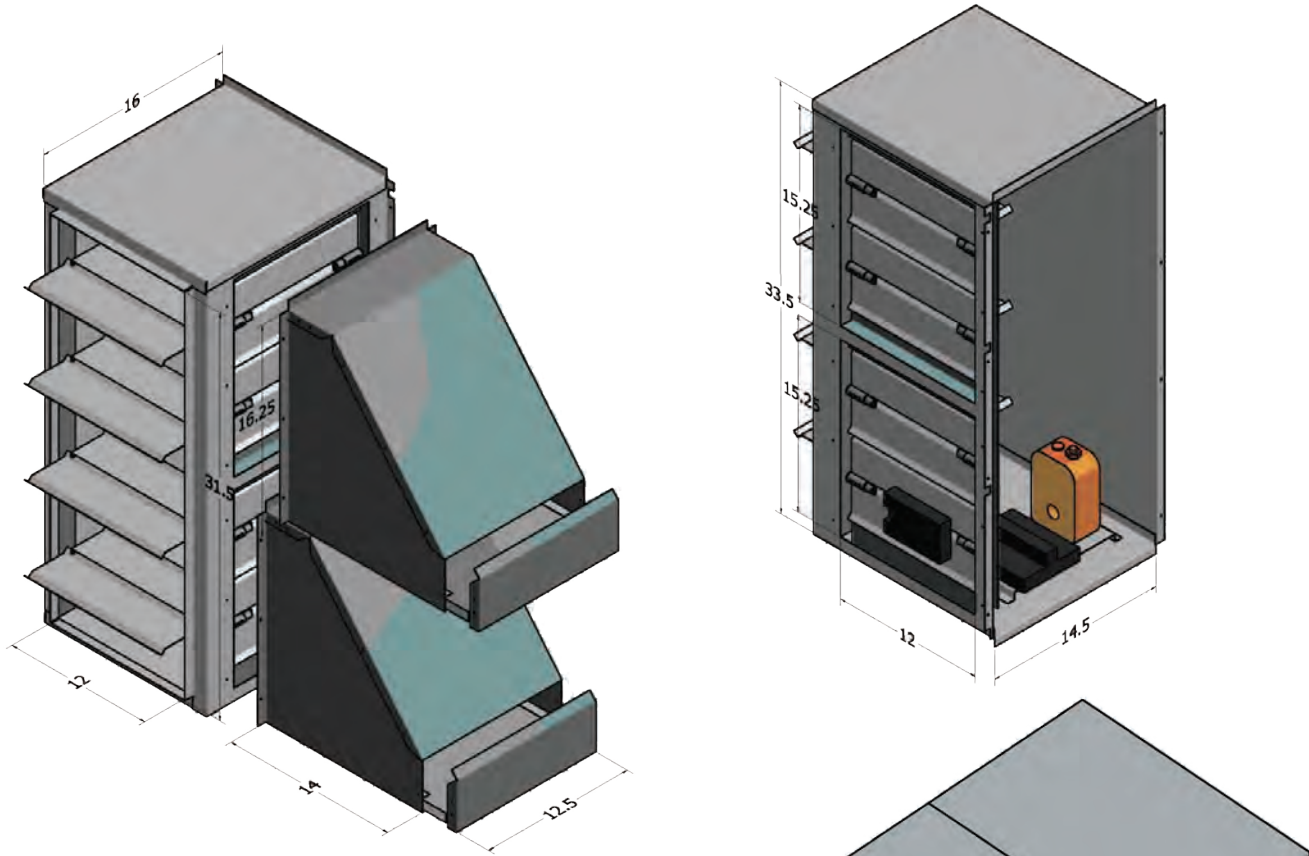
- 24 VAC Damper motor with spring return
- Fully assembled and factory wired
- Painted to match the unit
- Fits all 3- to 5-ton package units in all fuels

**DOWNFLOW ECONOMIZER — #DNECON\*\*3672B****SPECIFICATIONS**

- Fully modulating
- Up to 100% fresh air
- Integral barometric relief
- Hoods painted to match unit
- Honeywell economizer control
- Single adjustable enthalpy control convertible to dual enthalpy
- Adjustable minimum fresh air
- Factory wired
- Fits all 3- to 5-ton models

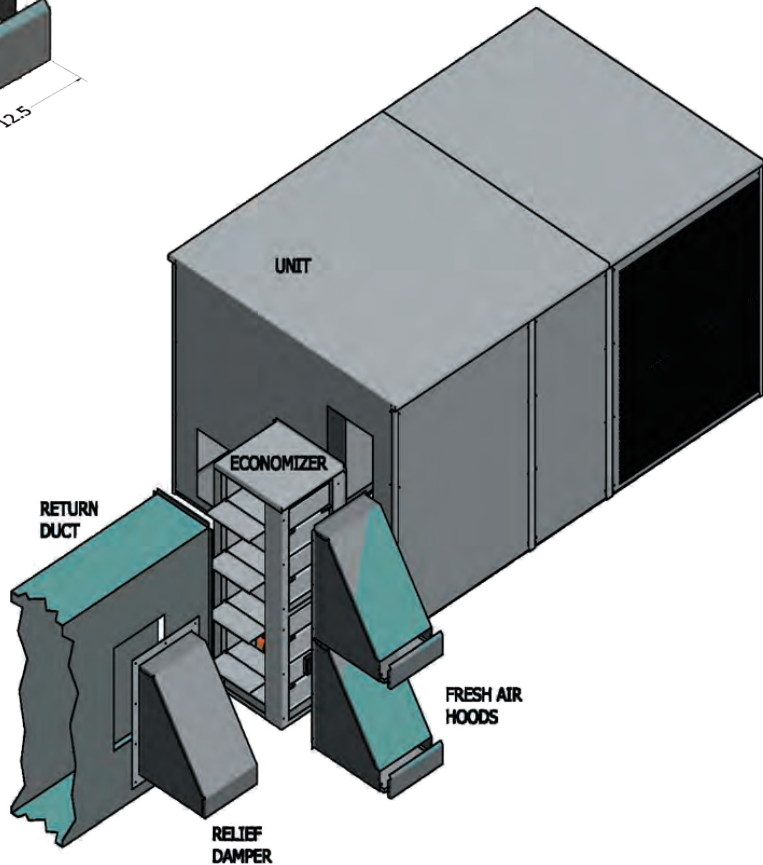


# HORIZONTAL ECONOMIZER — #HZECON\*\*3672B

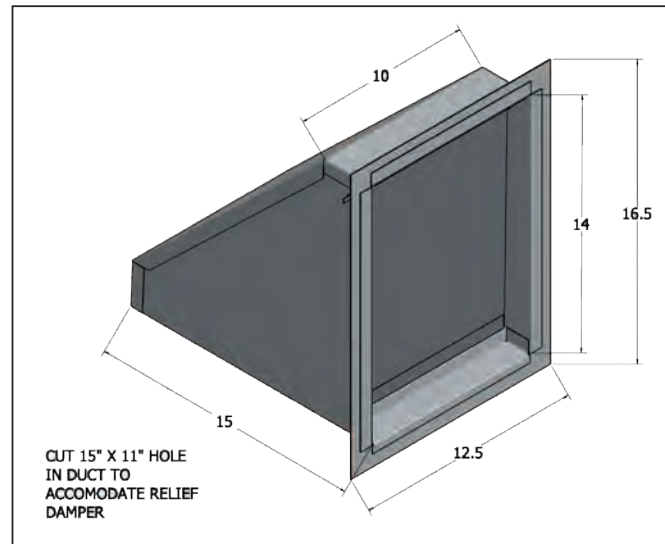


## SPECIFICATIONS

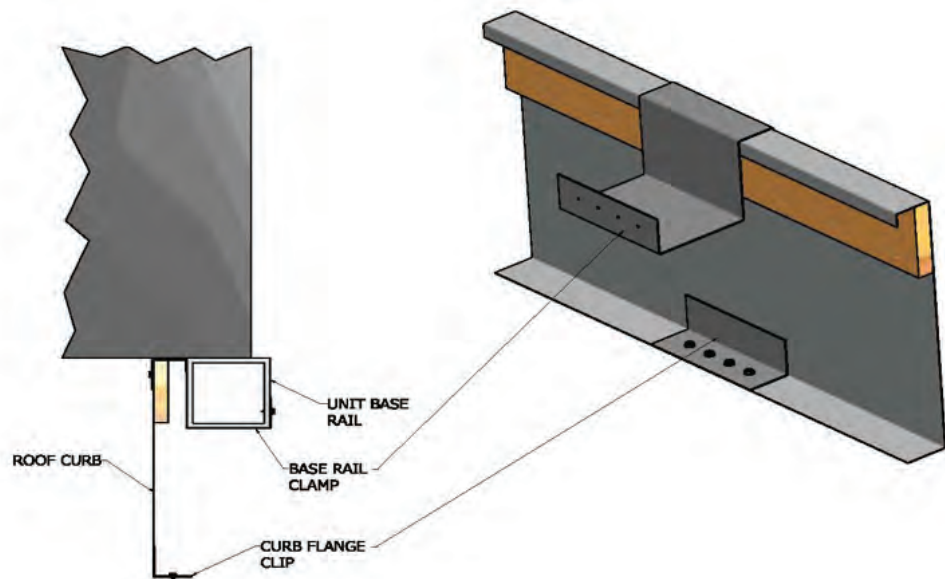
- Fully modulating
- Up to 100% fresh air
- Honeywell economizer control
- Single adjustable enthalpy control convertible to dual enthalpy
- Adjustable minimum fresh air
- Factory wired
- Fits all 3- to 5-ton models



## BAROMETRIC RELIEF DAMPER — #BRD3672



## HURRICANE RESTRAINT CLIP — GHRC-1



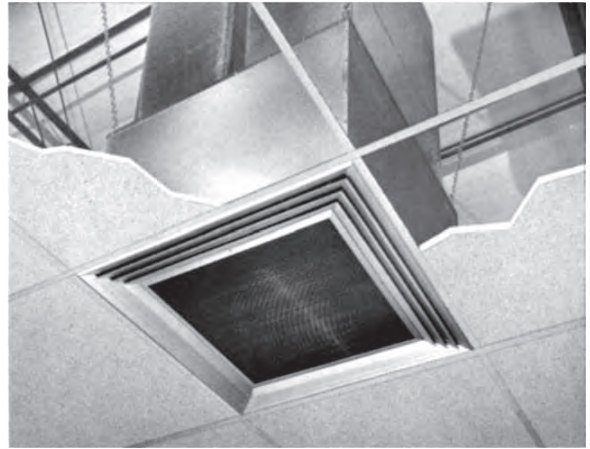
### SPECIFICATIONS

- 14-gauge construction
- Location and quantity of clips dictated by unit need
- Clips are fastened to the unit and curb using sheet-metal screws
- Seismic angle is fastened with approved fastener

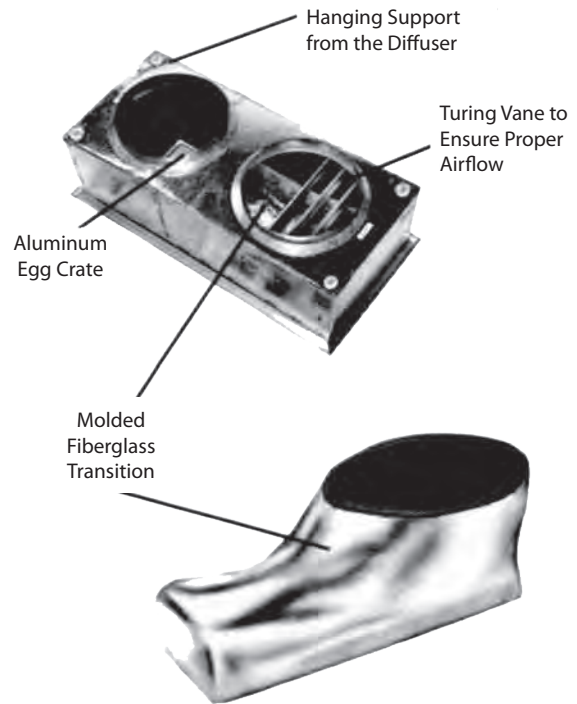
# CONCENTRIC DUCT KIT — #CDK36 / #CDK4872



Light Commercial  
T-Bar Ceiling



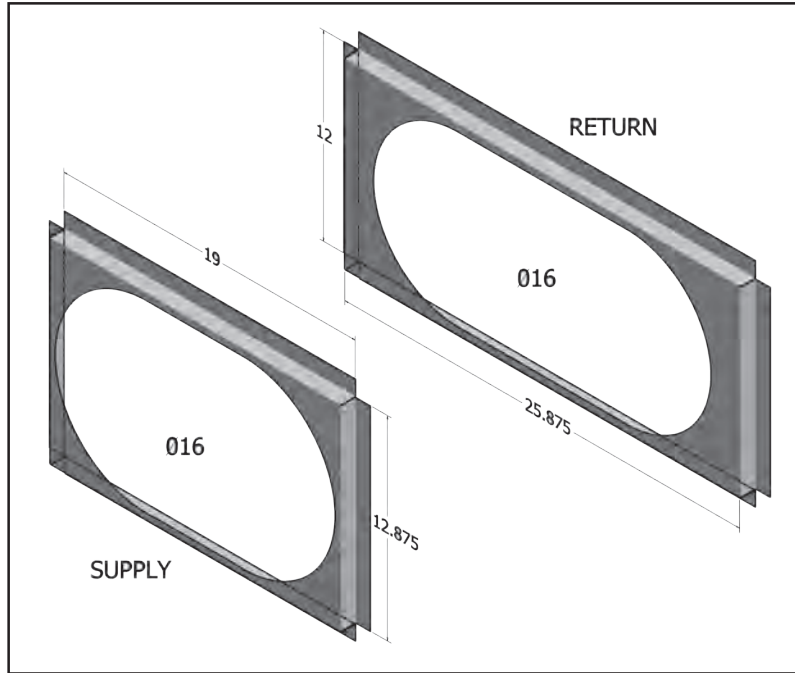
Commercial  
T-Bar Ceiling



## SPECIFICATIONS

- All-aluminum diffuser with aluminum return air egg crate
- Built-in anti-sweat gasket
- Molded fiberglass transition (through five tons)
- Built-in hanging supports
- Diffuser box constructed of fiberglass duct board (through 7½ tons) or sheet metal

# 3-TON SQUARE-TO-ROUND — #DNSQR36



# 4- TO 6-TON SQUARE-TO-ROUND — #DNSQR4872

