

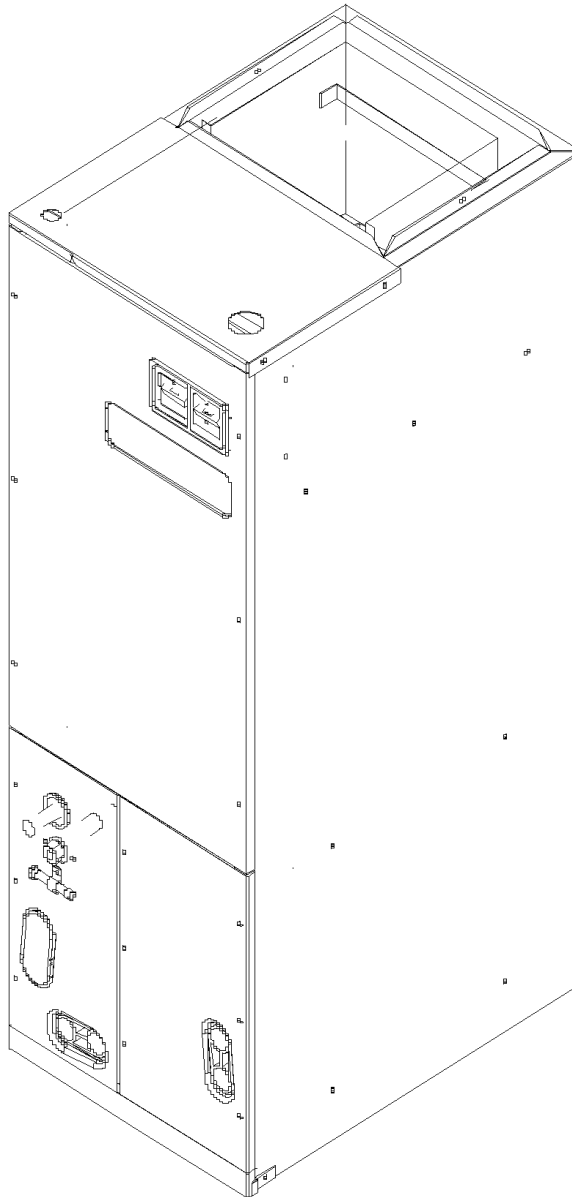
REPAIR PARTS

AVPTC Air Handlers

AVPTC183014AA

AVPTC313714AA

AVPTC426014AA



This manual is to be used by qualified technicians only.

© 2009 Goodman Manufacturing Company, L.P. ♦ 5151 San Felipe, Suite 500 ♦ Houston, TX 77056

Important Information

Index

Functional Parts List	3
Illustration and Parts	4 - 5

Views shown are for parts illustrations only, not servicing procedures.

This system uses R410A refrigerant. If sealed system work is required, use approved equipment and follow service procedures. Refer to Service Manual or Installation Instructions for service procedures.

Text Codes:

AR - As Required

NA - Not Available

NS - Not Shown

00000000 - See Note

QTY - Quantity Example (QTY 3) (If Quantity not shown, Quantity = 1)

M - Model Example (M1) (If M Code not shown, then part is used on all Models)

Expanded Model Nomenclature:

Example
M1 - Model#1
M2 - Model#2
M3 - Model#3

Goodman Manufacturing Company, L.P. is not responsible for personal injury or property damage resulting from improper service. Review all service information before beginning repairs.

Warranty service must be performed by an authorized technician, using authorized factory parts. If service is required after the warranty expires, Goodman Manufacturing Company, L.P. also recommends contacting an authorized technician and using authorized factory parts.

Goodman Manufacturing Company, L.P. reserves the right to discontinue, or change at any time, specifications or designs without notice or without incurring obligations.

For assistance within the U.S.A. contact:
Consumer Affairs Department
Goodman Manufacturing Company, L.P.
7401 Security Way
Houston, Texas 77040
877-254-4729-Telephone
713-863-2382-Facsimile

For assistance outside the U.S.A. contact:
International Division
Goodman Manufacturing Company, L.P.
7401 Security Way
Houston, Texas 77040
713-861-2500-Telephone
713-863-2382-Facsimile

Functional Parts

Part

No: Description:

0131M00111S	MOTOR 1/2 HP, SERIAL ECM (M1)
0259A00009	MOTOR CONTROL HARNESS
0131M00113S	MOTOR, 1HP SERIAL ECM (M3)
0131M00112S	MOTOR, 3/4 HP SERIAL ECM (M2)
PCBJA101S	PCB, CONTROL, AIR HANDLER
B1141643	TRANSFORMER 208/230, 24V
0151R00021	VALVE, TXV R-410A (M3)
0151R00020	VALVE, TXV R-410A (M2)
0151R00019	VALVE, TXV R-410A (M1)
0259A00002P	WIRE ASSY, 9-PIN MALE CONNECTOR
0259A00011	WIRE HARNESS

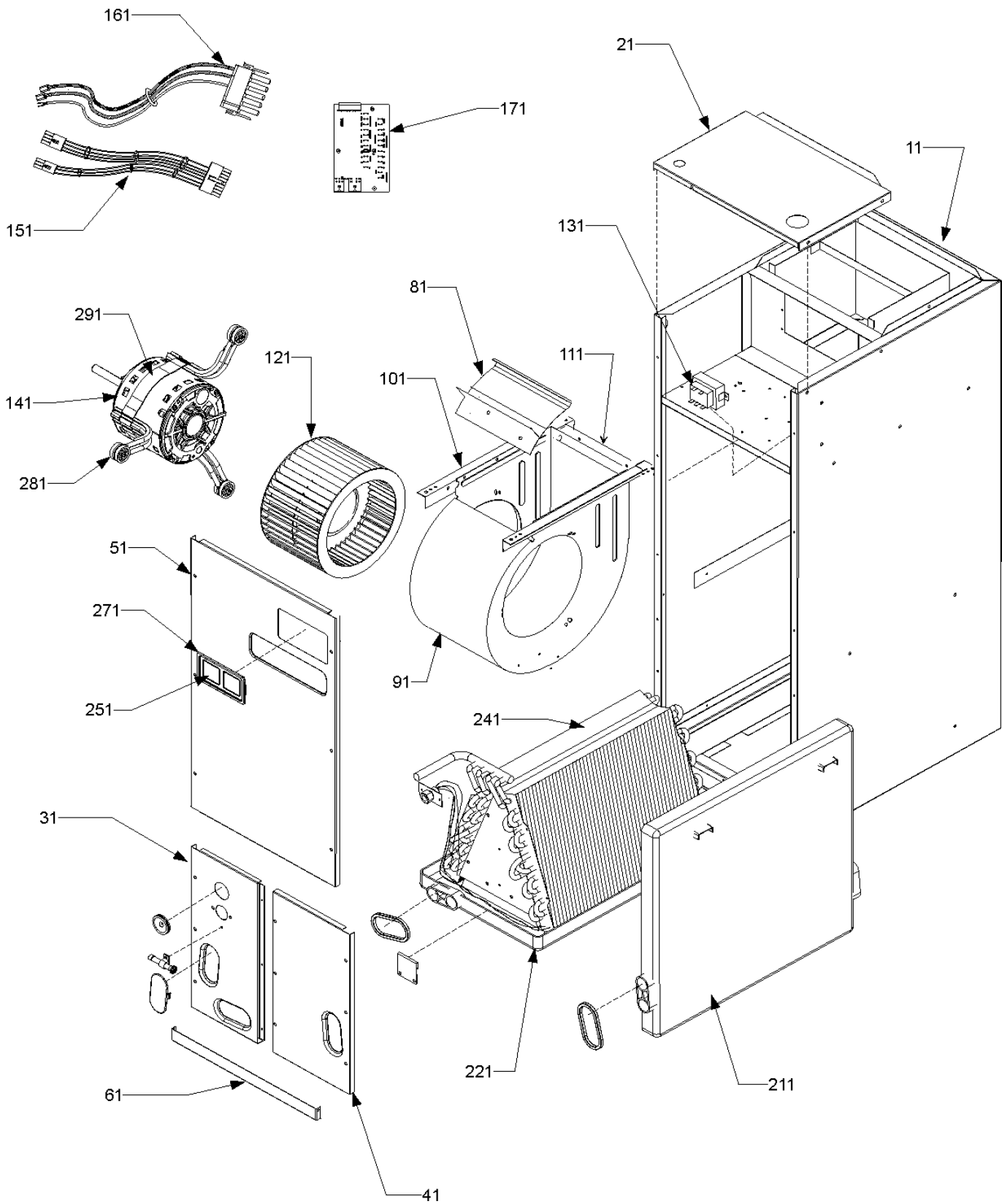
SPECIAL PARTS

IO-346 INSTALLATION MANUAL

Expanded Model Nomenclature

M1 - AVPTC183014AA
M2 - AVPTC313714AA
M3 - AVPTC426014AA

Unit Assembly



Unit Assembly

Ref. Part No:	No:	Description:	Ref. Part No:	No:	Description:
<i>Image 1:</i>			<i>Image 1:</i>		
11	1721122PDG	WRAPPER (M1)	NS	B9102097	CAP W/O-RING
11	1721123PDG	WRAPPER (M2, M3)	NS	0162A00047	FLOWRATOR W/BRACKET, ALUMINUM (M3)
21	0121A00114PDG	PAINTED UPPER TIE PLATE (M1)	NS	0162A00050	FLOWRATOR W/BRACKET, ALUMINUM (M1, M2)
21	0121A00115PDG	PAINTED UPPER TIE PLATE (M2, M3)	NS	B1392640	PLASTIC DRAIN COVER (QTY 2)
31	0121A00117PDG	LOWER ACCESS PNL, W/PAINT (M1)	NS	BT1787000	VALVE CORE
31	0121A00118PDG	LOWER ACCESS PNL, W/PAINT (M2, M3)	NS	0151R00019	VALVE, TXV R-410A (M1)
41	1722080PDG	LOWER SERVICE PANEL (M1)	NS	0151R00020	VALVE, TXV R-410A (M2)
41	1722081PDG	LOWER SERVICE PANEL (M2, M3)	NS	0151R00021	VALVE, TXV R-410A (M3)
51	1722083PDG	UPPER ACCESS PANEL (M1)	NS	0259A00011	WIRE HARNESS
51	1722084PDG	UPPER ACCESS PANEL (M2, M3)	Expanded Model Nomenclature		
61	1722087PDG	FILTER COVER LRG (M2, M3)	M1 - AVPTC183014AA		
61	1722086PDG	FILTER COVER MED (M1)	M2 - AVPTC313714AA		
81	764741F	BLOWER BLOCK-OFF 10 X 10 (M2, M3)	M3 - AVPTC426014AA		
81	764734F	BLOWER CUT-OFF (M1)			
91	1439392S	BLOWER HOUSING 9 X 8 (M1)			
91	0271A00016S	BLOWER HOUSING ASSY (M2, M3)			
101	0121A00027	BLOWER MOUNTING ANGLE (M1)			
111	1717109	BLOWER MOUNTING ANGLE (M1)			
121	B1368048S	BLOWER WHEEL 10 X 10 (M2, M3)			
121	B1368037S	BLOWER WHEEL 9 X 8 (M1)			
131	B1141643	TRANSFORMER 208/230, 24V			
141	0131M00111S	MOTOR 1/2 HP, SERIAL ECM (M1)			
141	0131M00113S	MOTOR, 1HP SERIAL ECM (M3)			
141	0131M00112S	MOTOR, 3/4 HP SERIAL ECM (M2)			
151	0259A00002P	WIRE ASSY, 9-PIN MALE CONNECTOR			
161	0259A00009	MOTOR CONTROL HARNESS			
171	PCBJA101S	PCB, CONTROL, AIR HANDLER			
211	B1756022L	PLASTIC DRAIN PAN (HORIZONTAL) (M1)			
211	B1756028L	PLASTIC DRAIN PAN (HORIZONTAL) (M2, M3)			
221	B1756017L	PLASTIC DRAIN PAN (VERTICAL) (M1)			
221	B1756020L	PLASTIC DRAIN PAN (VERTICAL) (M2, M3)			
241	0270A00491	Coil Tubing Assy (M1)			
241	0270A00498	COIL TUBING ASSY (M2)			
241	0270A00499	COIL TUBING ASSY (M3)			
251	B1392641	PLASTIC CIRCUIT BREAKER INSERT			
271	B13926122	CIRCUIT BREAKER INSERT GASKET			
281	B1376853	MOTOR MOUNT ARM (M2, M3)			
281	B1376861	MOTOR MOUNT ARM (M1)			
291	0121M00038	MOTOR MOUNT BAND			
NS	BT1369063	90 DEGREE STUB			
NS	1721921	BOTTOM BRACKET, LARGE (AR) (M2, M3)			
NS	1721920	BOTTOM BRACKET, MEDIUM (AR) (M1)			
NS	1721918	BOTTOM TIE LRG (M2, M3)			
NS	1721917	BOTTOM TIE MED (M1)			

THIS PAGE INTENTIONALLY LEFT BLANK