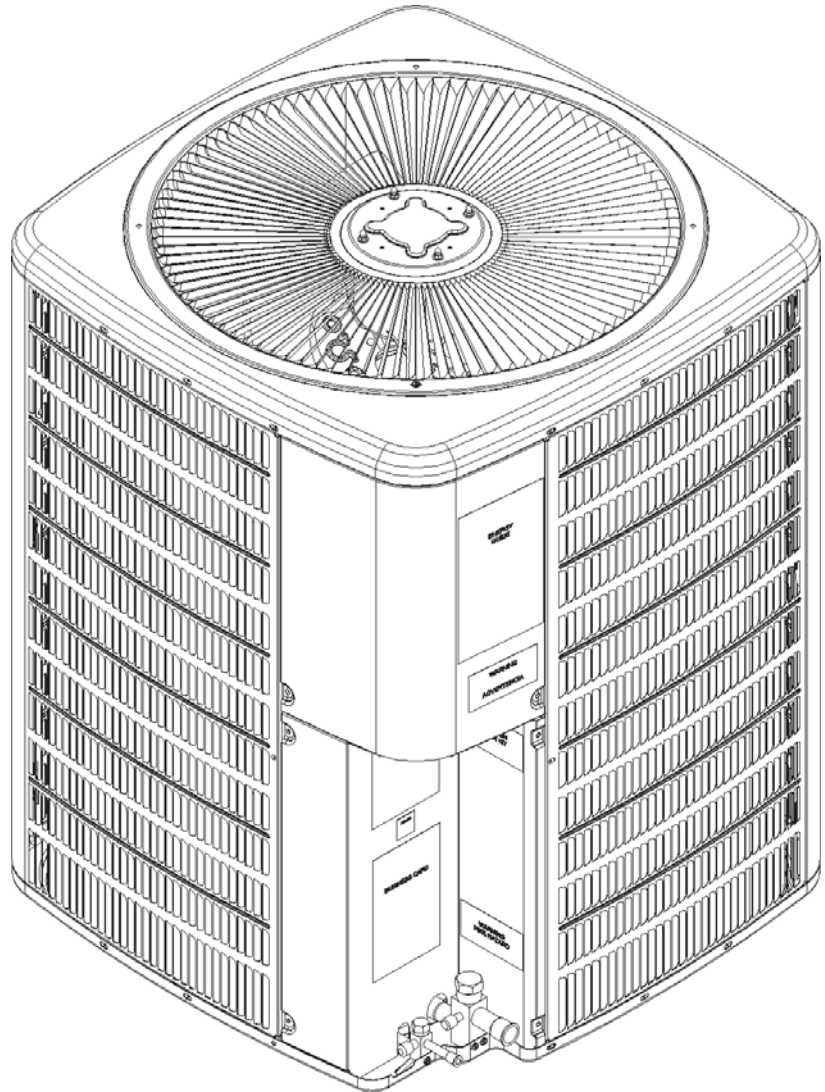


# REPAIR PARTS

## VSX13 Remote Condensing Unit

VSX130181AA  
VSX130181BA  
VSX130181DA  
VSX130181EA  
VSX130181EB  
VSX130181ED  
VSX130241AA  
VSX130241BA  
VSX130241DA  
VSX130301AA  
VSX130301AB  
VSX130301AC  
VSX130301DA  
VSX130301DB  
VSX130361AA  
VSX130361BA  
VSX130361DA  
VSX130361EA  
VSX130361EB  
VSX130421AA  
VSX130421AB  
VSX130421AC  
VSX130421BA  
VSX130481AA  
VSX130481AB  
VSX130481AC  
VSX130481BA  
VSX130601BA  
VSX130601BB



This manual is to be used by qualified technicians only.

This manual replaces RP-603J.

© 2009-2014 Goodman Manufacturing Company, L.P. ♦ 5151 San Felipe, Suite 500 ♦ Houston, TX 77056

# Important Information

---

## Index

Functional Parts List .....	3
Illustration and Parts .....	4 - 9

*Views shown are for parts illustrations only, not servicing procedures*

### Text Codes:

AR - As Required

NA - Not Available

NS - Not Shown

00000000 - See Note

QTY - Quantity Example (QTY 3) (If Quantity not shown, Quantity = 1)

M - Model Example (M1) (If M Code not shown, then part is used on all Models)

### Expanded Model Nomenclature:

Example M1 - Model#1 M2 - Model#2 M3 - Model#3
---

Goodman Manufacturing Company, L.P. is not responsible for personal injury or property damage resulting from improper service. Review all service information before beginning repairs.

Warranty service must be performed by an authorized technician, using authorized factory parts. If service is required after the warranty expires, Goodman Manufacturing Company, L.P. also recommends contacting an authorized technician and using authorized factory parts.

Goodman Manufacturing Company, L.P. reserves the right to discontinue, or change at any time, specifications or designs without notice or without incurring obligations.

For assistance within the U.S.A. contact:  
Consumer Affairs Department  
Goodman Manufacturing Company, L.P.  
7401 Security Way  
Houston, Texas 77040  
877-254-4729-Telephone  
713-863-2382-Facsimile

For assistance outside the U.S.A. contact:  
International Division  
Goodman Manufacturing Company, L.P.  
7401 Security Way  
Houston, Texas 77040  
713-861-2500-Telephone  
713-863-2382-Facsimile

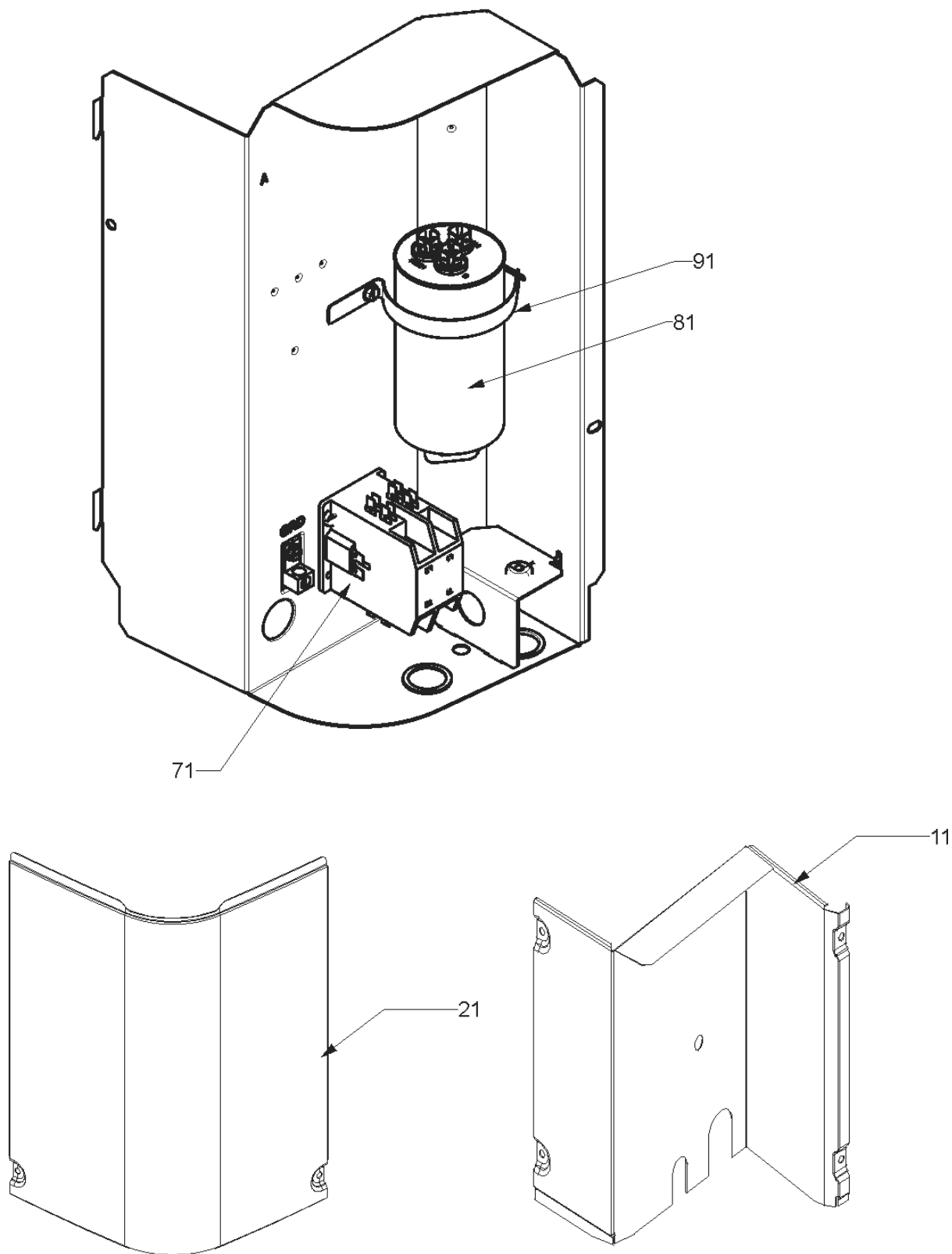
# Functional Parts

## Part

## No: Description:

Part No:	Description:	Expanded Model Nomenclature
50N382XV-5AKM	1.5 Rechi Compressor (M4, M6)	M1 - VSX130181AA
50N382XV-ZAKM	1.5T RECHI ROTARY COMPRESSOR (M5)	M2 - VSX130181BA
B12825171	3/8 BASE VALVE (OPEN)	M3 - VSX130181DA
760051-2001-12	BRISTOL COMPRESSOR (M27)	M4 - VSX130181EA
CAP050400440CT	CAP, 5/40 MFD/440V/DUAL RD (M10, M11, M12, M13, M14, M15, M16, M17, M18, M19, M20, M21, M22, M23, M24, M25, M26, M27)	M5 - VSX130181EB
CAP050700440RTP	CAP, 5/70 MFD/440V/DUAL RD (M28, M29)	M6 - VSX130181ED
CAP050300440RS	CAPACITOR 5/30/370V (M1)	M7 - VSX130241AA
CAP050350440RS	CAPACITOR 5/35/440V (M2, M3, M4, M5, M6, M7, M8, M9)	M8 - VSX130241BA
ZP20K5EPFV130	COMP,20000,208/230/60/1 (M7, M8, M9)	M9 - VSX130241DA
ZP34K5EPFV130	COMP,34500,208/230/60/1 (M20, M21, M22)	M10 - VSX130301AA
ZP49K5EPFV130	COMP,49400,208/230/60/1 (M28, M29)	M11 - VSX130301AB
ZP16K5EPFV130	COMPRESSOR 15500, 208/230/60/1 (M1, M2, M3)	M12 - VSX130301AC
ZP24K5EPFV130	COMPRESSOR 24000, 208/230/60/1 (M10, M11, M12, M13, M14)	M13 - VSX130301DA
ZP29K5EPFV130	COMPRESSOR 29000, 208/230/60/1 (M15, M16, M17, M18, M19)	M14 - VSX130301DB
ZP39K5EPFV130	COMPRESSOR 39000, 208/230/60/1 (M24, M25, M26)	M15 - VSX130361AA
760024-2001-10	COMPRESSOR BRISTOL (M23)	M16 - VSX130361BA
0131M00018P	COND MOTOR 1/4 HP, 1 SP, 6 PL (M17, M18, M19, M21, M22, M23, M25, M26, M27, M28, M29)	M17 - VSX130361DA
0131M00016P	COND MOTOR 1/6 HP, 1 SP, 8 PL (M15, M16)	M18 - VSX130361EA
0131M00266	COND MOTOR 1/8 HP 8 PL PSC MOTOR (M1, M2, M7, M8, M10)	M19 - VSX130361EB
0131M00061	COND MOTOR, 1/4HP, 1SP, 8PL (M20, M24)	M20 - VSX130421AA
0131M00276	COND MOTOR, 1/8 HP, ISP, 6PL (M3, M4, M5, M6, M9, M13, M14)	M21 - VSX130421AB
0131M00294	COND MOTOR, 1/8HP, ISP, 6PL (M11, M12)	M22 - VSX130421AC
CONT1P025024V	CONTACTOR 25 AMP, 1P, 24V (M1, M2, M3, M4, M5, M6, M7, M8, M9, M10, M11, M12, M13, M14, M15, M16, M17, M18, M19, M20, M21, M22, M23)	M23 - VSX130421BA
CONT1P030024V	CONTACTOR 30 AMP, 1P, 24V (M24, M25, M26, M27, M28, M29)	M24 - VSX130481AA
0150M00041	FAN BLADE (M18, M19)	M25 - VSX130481AB
0150M00018	FAN BLADE 20" (M1, M7, M8, M11, M12)	M26 - VSX130481AC
B1086750	FAN BLADE 22", 3 BLADE, 24° (M21, M22, M23, M25, M26, M27, M28, M29)	M27 - VSX130481BA
B1086764	FAN BLADE TYPE 2 (M15, M16)	M28 - VSX130601BA
B1086765	FAN BLADE TYPE 3 (M20, M24)	M29 - VSX130601BB
0150M00029	FAN BLADE, 18" (M17)	
0150M00030	FAN BLADE, 18" (M3, M4, M5, M6, M9, M13, M14)	
0150M00012	FAN BLADE-20" CCW (M2, M10)	
0130M00089	SW-CUTOUT HI PRESS (M4, M5, M6)	
0151R00032	VALVE, BASE 3/4" OPEN LEFT (M1, M2, M3, M4, M5, M6, M7, M8, M9, M10, M11, M12, M13, M14, M15, M16, M17, M18, M19)	
0151R00033	VALVE, BASE 7/8" OPEN LEFT (M20, M21, M22, M23, M24, M25, M26, M27, M28, M29)	

# Control Cover / Control Box



# Control Cover / Control Box

Ref. Part No:	No:	Description:	Ref. Part No:	No:	Description:
<i>Image 1:</i>			Expanded Model Nomenclature		
11	0121R00316PBB	PANEL, LOWER ACCESS PNT (M28, M29)	M1 - VSX130181AA		
11	0121R00319PBB	PANEL, LOWER ACCESS PNT (M20, M21, M22, M23, M24, M25, M26, M27)	M2 - VSX130181BA		
11	0121R00325PBB	PANEL, LOWER ACCESS PNT (M15, M16)	M3 - VSX130181DA		
11	0121R00326PBB	PANEL, LOWER ACCESS PNT (M1, M2, M7, M8, M10, M11, M12, M18, M19)	M4 - VSX130181EA		
11	0121R00264PBB	PANEL, LOWER ACCESS 23_22.6 (M3)	M5 - VSX130181EB		
11	0121R00265PBB	PANEL, LOWER ACCESS 23_25.2 PNT (M4, M5, M6, M9, M13, M14)	M6 - VSX130181ED		
11	0121R00266PBB	PANEL, LOWER ACCESS 23_30.24PNT (M17)	M7 - VSX130241AA		
21	0121R00053PBB	CONTROL COVER (M1, M2, M7, M8, M10, M11, M12, M15, M16, M18, M19, M20, M21, M22, M23, M24, M25, M26, M27, M28, M29)	M8 - VSX130241BA		
21	0121R00268	CONTROL COVER (M3, M4, M5, M6, M9, M13, M14, M17)	M9 - VSX130241DA		
71	CONT1P025024V	CONTACTOR 25 AMP, 1P, 24V (M1, M2, M3, M4, M5, M6, M7, M8, M9, M10, M11, M12, M13, M14, M15, M16, M17, M18, M19, M20, M21, M22, M23)	M10 - VSX130301AA		
71	CONT1P030024V	CONTACTOR 30 AMP, 1P, 24V (M24, M25, M26, M27, M28, M29)	M11 - VSX130301AB		
81	CAP050400440CT	CAP, 5/40 MFD/440V/DUAL RD (M10, M11, M12, M13, M14, M15, M16, M17, M18, M19, M20, M21, M22, M23, M24, M25, M26, M27)	M12 - VSX130301AC		
81	CAP050700440RTP	CAP, 5/70 MFD/440V/DUAL RD (M28, M29)	M13 - VSX130301DA		
81	CAP050300440RS	CAPACITOR 5/30/370V (M1)	M14 - VSX130301DB		
81	CAP050350440RS	CAPACITOR 5/35/440V (M2, M3, M4, M5, M6, M7, M8, M9)	M15 - VSX130361AA		
91	4400065	CAPACITOR STRAP	M16 - VSX130361BA		
			M17 - VSX130361DA		
			M18 - VSX130361EA		
			M19 - VSX130361EB		
			M20 - VSX130421AA		
			M21 - VSX130421AB		
			M22 - VSX130421AC		
			M23 - VSX130421BA		
			M24 - VSX130481AA		
			M25 - VSX130481AB		
			M26 - VSX130481AC		
			M27 - VSX130481BA		
			M28 - VSX130601BA		
			M29 - VSX130601BB		

# Compressor / Tubing Assembly/Condenser

Image 1

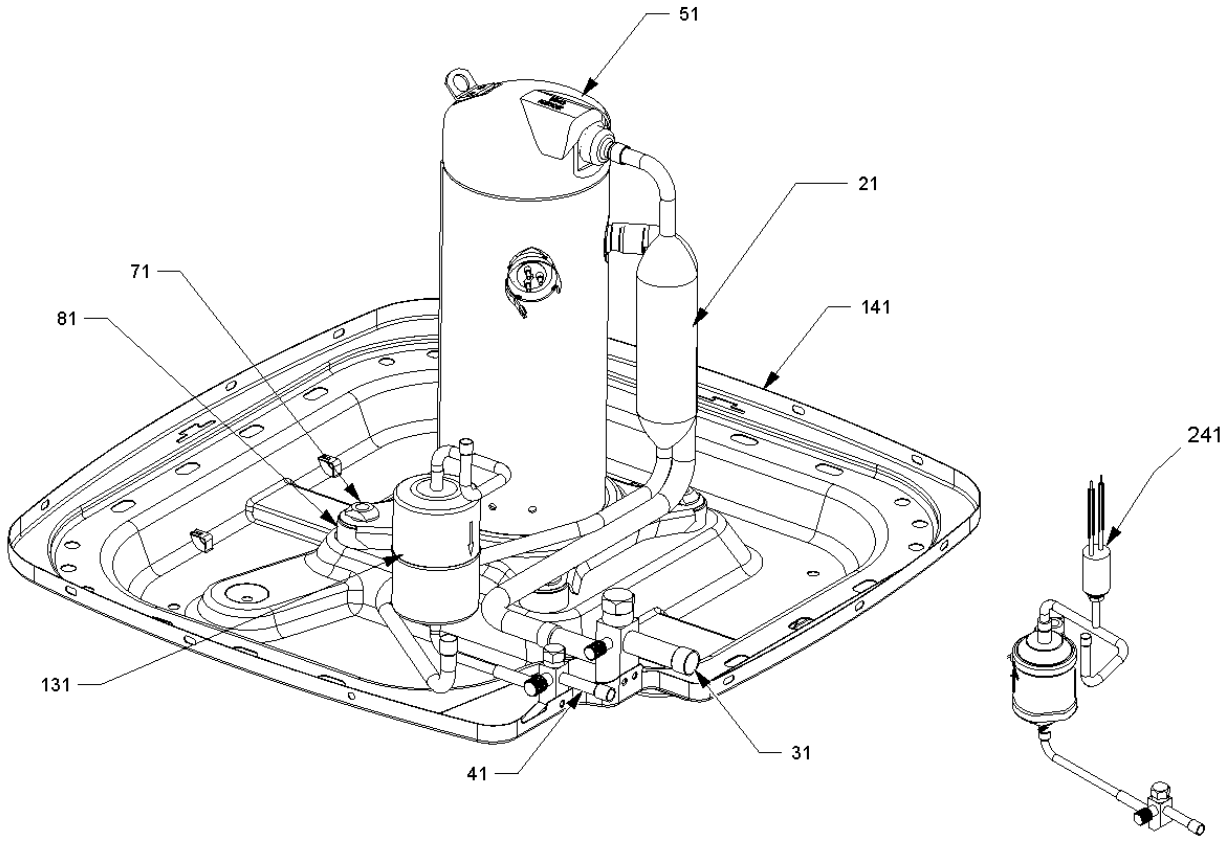


Image 2

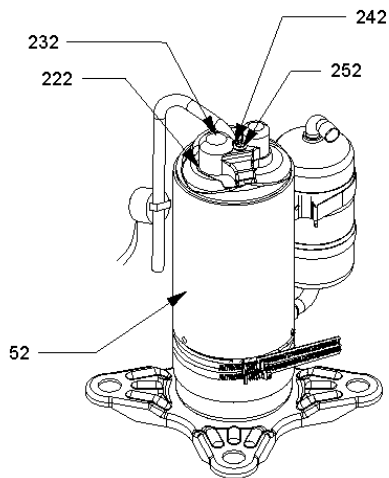
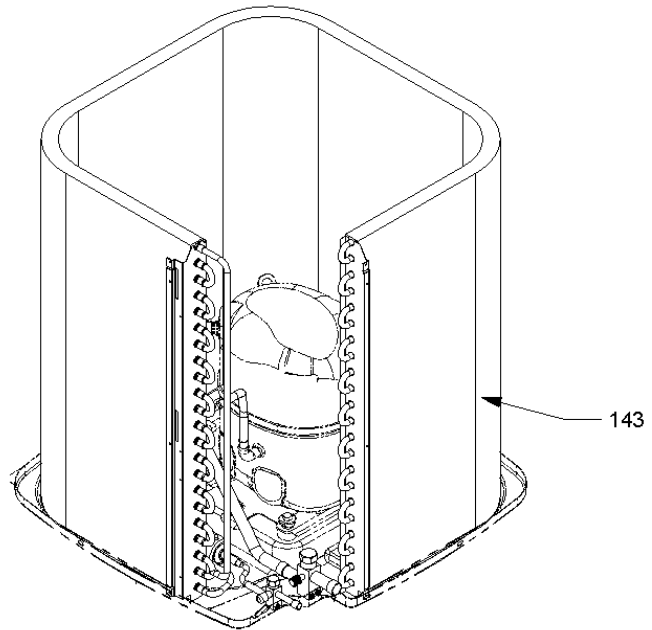


Image 3



# Compressor / Tubing Assembly/Condenser

Ref. Part No:	No:	Description:	Ref. Part No:	No:	Description:																													
<i>Image 1:</i>			<i>Image 3:</i>																															
21	B1219301	MUFFLER 1/2 X 1/2 (M27)	143	0201R00391	COIL TUBING ASSY (M17)																													
31	0151R00032	VALVE, BASE 3/4" OPEN LEFT (M1, M2, M3, M4, M5, M6, M7, M8, M9, M10, M11, M12, M13, M14, M15, M16, M17, M18, M19)	143	0201R00398	COIL TUBING ASSY (M4, M5, M6, M14)																													
31	0151R00033	VALVE, BASE 7/8" OPEN LEFT (M20, M21, M22, M23, M24, M25, M26, M27, M28, M29)	143	0201R00463	COIL TUBING ASSY (M28, M29)																													
41	B12825171	3/8 BASE VALVE (OPEN)	143	0201R00492	COIL TUBING ASSY (M12, M19)																													
51	50N382XV-ZAKM	1.5T RECHI ROTARY COMPRESSOR (M5)	143	0201R00272	TUBING ASSY, COND COIL (M15, M16)																													
51	760051-2001-12	BRISTOL COMPRESSOR (M27)	<b>Expanded Model Nomenclature</b>																															
51	ZP20K5EPFV130	COMP,20000,208/230/60/1 (M7, M8, M9)	<table border="1"> <tr><td>M1 - VSX130181AA</td></tr> <tr><td>M2 - VSX130181BA</td></tr> <tr><td>M3 - VSX130181DA</td></tr> <tr><td>M4 - VSX130181EA</td></tr> <tr><td>M5 - VSX130181EB</td></tr> <tr><td>M6 - VSX130181ED</td></tr> <tr><td>M7 - VSX130241AA</td></tr> <tr><td>M8 - VSX130241BA</td></tr> <tr><td>M9 - VSX130241DA</td></tr> <tr><td>M10 - VSX130301AA</td></tr> <tr><td>M11 - VSX130301AB</td></tr> <tr><td>M12 - VSX130301AC</td></tr> <tr><td>M13 - VSX130301DA</td></tr> <tr><td>M14 - VSX130301DB</td></tr> <tr><td>M15 - VSX130361AA</td></tr> <tr><td>M16 - VSX130361BA</td></tr> <tr><td>M17 - VSX130361DA</td></tr> <tr><td>M18 - VSX130361EA</td></tr> <tr><td>M19 - VSX130361EB</td></tr> <tr><td>M20 - VSX130421AA</td></tr> <tr><td>M21 - VSX130421AB</td></tr> <tr><td>M22 - VSX130421AC</td></tr> <tr><td>M23 - VSX130421BA</td></tr> <tr><td>M24 - VSX130481AA</td></tr> <tr><td>M25 - VSX130481AB</td></tr> <tr><td>M26 - VSX130481AC</td></tr> <tr><td>M27 - VSX130481BA</td></tr> <tr><td>M28 - VSX130601BA</td></tr> <tr><td>M29 - VSX130601BB</td></tr> </table>			M1 - VSX130181AA	M2 - VSX130181BA	M3 - VSX130181DA	M4 - VSX130181EA	M5 - VSX130181EB	M6 - VSX130181ED	M7 - VSX130241AA	M8 - VSX130241BA	M9 - VSX130241DA	M10 - VSX130301AA	M11 - VSX130301AB	M12 - VSX130301AC	M13 - VSX130301DA	M14 - VSX130301DB	M15 - VSX130361AA	M16 - VSX130361BA	M17 - VSX130361DA	M18 - VSX130361EA	M19 - VSX130361EB	M20 - VSX130421AA	M21 - VSX130421AB	M22 - VSX130421AC	M23 - VSX130421BA	M24 - VSX130481AA	M25 - VSX130481AB	M26 - VSX130481AC	M27 - VSX130481BA	M28 - VSX130601BA	M29 - VSX130601BB
M1 - VSX130181AA																																		
M2 - VSX130181BA																																		
M3 - VSX130181DA																																		
M4 - VSX130181EA																																		
M5 - VSX130181EB																																		
M6 - VSX130181ED																																		
M7 - VSX130241AA																																		
M8 - VSX130241BA																																		
M9 - VSX130241DA																																		
M10 - VSX130301AA																																		
M11 - VSX130301AB																																		
M12 - VSX130301AC																																		
M13 - VSX130301DA																																		
M14 - VSX130301DB																																		
M15 - VSX130361AA																																		
M16 - VSX130361BA																																		
M17 - VSX130361DA																																		
M18 - VSX130361EA																																		
M19 - VSX130361EB																																		
M20 - VSX130421AA																																		
M21 - VSX130421AB																																		
M22 - VSX130421AC																																		
M23 - VSX130421BA																																		
M24 - VSX130481AA																																		
M25 - VSX130481AB																																		
M26 - VSX130481AC																																		
M27 - VSX130481BA																																		
M28 - VSX130601BA																																		
M29 - VSX130601BB																																		
51	ZP34K5EPFV130	COMP,34500,208/230/60/1 (M20, M21, M22)																																
51	ZP49K5EPFV130	COMP,49400,208/230/60/1 (M28, M29)																																
51	ZP16K5EPFV130	COMPRESSOR 15500, 208/230/60/1 (M1, M2, M3)																																
51	ZP24K5EPFV130	COMPRESSOR 24000, 208/230/60/1 (M10, M11, M12, M13, M14)																																
51	ZP29K5EPFV130	COMPRESSOR 29000, 208/230/60/1 (M15, M16, M17, M18, M19)																																
51	ZP39K5EPFV130	COMPRESSOR 39000, 208/230/60/1 (M24, M25, M26)																																
51	760024-2001-10	COMPRESSOR BRISTOL (M23)																																
71	0163M00186	SCREW-SHOULDER TF (M4, M5, M6)																																
71	M0221641	TF SHOULDER SCREW (M1, M2, M3, M7, M8, M9, M10, M11, M12, M13, M14, M15, M16, M17, M18, M19, M20, M21, M22, M23, M24, M25, M26, M27, M28, M29)																																
81	B1339533	COMPRESSOR GROMMET (M1, M7, M8, M9, M10, M11, M12, M13, M14, M15, M16, M17, M18, M19, M20, M21, M22, M23, M24, M25, M26, M27, M28, M29)																																
81	60140209	GROMMET - RECHI COMPRESSOR (M4, M5, M6)																																
131	0162R00009	FILTER DRIER																																
141	0121R00005PBB	BASE PAN 26" (M1, M2, M7, M8, M10, M11, M12, M18, M19)																																
141	0121R00006PBB	BASE PAN 29" (M15, M16, M20, M21, M22, M23, M24, M25, M26, M27, M28, M29)																																
141	0121R00272	BASE PAN, 23" (M3, M4, M5, M6, M9, M13, M14, M17)																																
241	0130M00089	SW-CUTOUT HI PRESS (M4, M5, M6)																																
NS	0159R00000P	COMPRESSOR SCROLL HARNESS (M1, M7, M8, M9, M10, M11, M12, M13, M14, M17, M18, M19)																																
NS	0159R00002P	COMPRESSOR SCROLL HARNESS (M15, M16, M20, M21, M22, M24, M25, M26, M28, M29)																																
NS	0130M00028	TERMINAL COVER (M2, M3)																																
<i>Image 2:</i>																																		
52	50N382XV-5AKM	1.5 Rechi Compressor (M4, M6)																																
222	60100107	TERMINAL COVER GASKET (M4, M5, M6)																																
232	60100317	TERMINAL COVER (M4, M5, M6)																																
242	60100401	TERMINAL NUT - RECHI COMP (M4, M5, M6)																																
252	60100201	WASHER - RECHI COMPRESSOR (M4, M5, M6)																																
<i>Image 3:</i>																																		
143	0201R00242S	COIL TUBING ASSY (M20, M21, M22, M23, M24, M25, M26, M27)																																
143	0201R00268	COIL TUBING ASSY (M1, M2, M7)																																
143	0201R00271S	COIL TUBING ASSY (M10, M11, M18)																																
143	0201R00328	COIL TUBING ASSY (M8)																																
143	0201R00383	COIL TUBING ASSY (M9, M13)																																
143	0201R00389	COIL TUBING ASSY (M3)																																

# Cabinet Top / Side Panels

Image 1

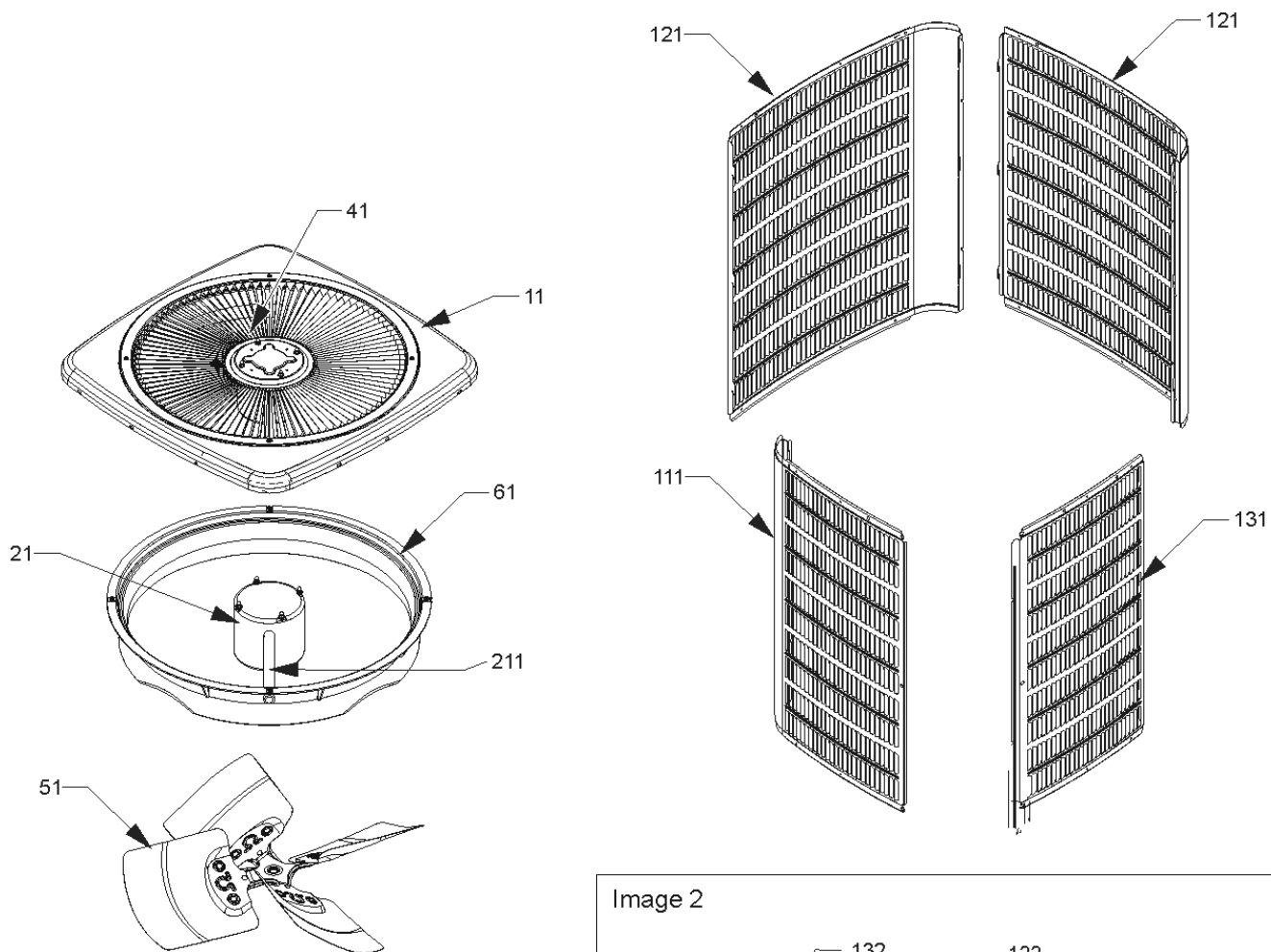
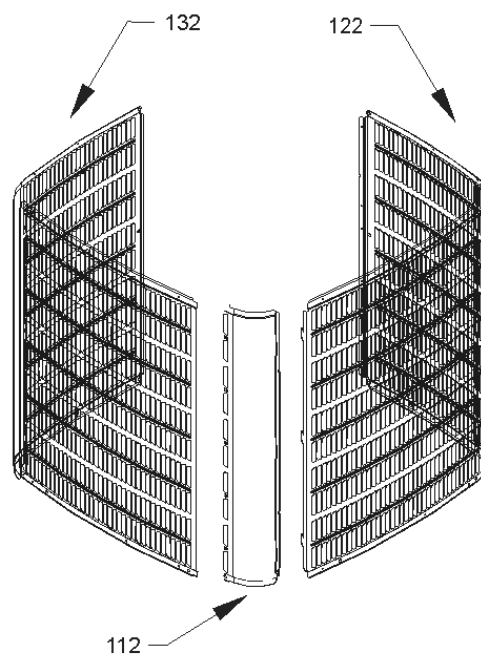


Image 2





# Cabinet Top / Side Panels

**Ref. Part  
No: No:**

**Description:**

*Image 1:*

11	0121R00270PBB	PANEL, TOP, PNT, BB (M3, M4, M5, M6, M9, M13, M14, M17)
11	0121R00008PBB	TOP PANEL 26" (M1, M2, M7, M8, M10, M11, M12, M18, M19)
11	0121R00010PBB	TOP PANEL 29" (M15, M16, M20, M21, M22, M23, M24, M25, M26, M27, M28, M29)
21	0131M00018P	COND MOTOR 1/4 HP, 1 SP, 6 PL (M17, M18, M19, M21, M22, M23, M25, M26, M27, M28, M29)
21	0131M00016P	COND MOTOR 1/6 HP, 1 SP, 8 PL (M15, M16)
21	0131M00266	COND MOTOR 1/8 HP 8 PL PSC MOTOR (M1, M2, M7, M8, M10)
21	0131M00061	COND MOTOR, 1/4HP, 1SP, 8PL (M20, M24)
21	0131M00276	COND MOTOR, 1/8 HP, ISP, 6PL (M3, M4, M5, M6, M9, M13, M14)
21	0131M00294	COND MOTOR, 1/8HP, ISP, 6PL (M11, M12)
41	0163M00006P	ACORN NUT 5/16 HEX BLACK (QTY 4)
51	0150M00041	FAN BLADE (M18, M19)
51	0150M00018	FAN BLADE 20" (M1, M7, M8, M11, M12)
51	B1086750	FAN BLADE 22", 3 BLADE, 24° (M21, M22, M23, M25, M26, M27, M28, M29)
51	B1086764	FAN BLADE TYPE 2 (M15, M16)
51	B1086765	FAN BLADE TYPE 3 (M20, M24)
51	0150M00029	FAN BLADE, 18" (M17)
51	0150M00030	FAN BLADE, 18" (M3, M4, M5, M6, M9, M13, M14)
51	0150M00012	FAN BLADE-20" CCW (M2, M10)
61	0161L00000	VENTURI RING 22" (M15, M16, M20, M21, M22, M23, M24, M25, M26, M27, M28, M29)
111	0121R00102PBBB	LOUVERED SIDE PANEL [LT OF CNTL PNL] (M1, M2, M7, M8, M10, M11, M18)
111	0121R00124PBBB	LOUVERED SIDE PANEL [LT OF CNTL PNL] (M15, M16)
111	0121R00127PBBB	LOUVERED SIDE PANEL [LT OF CNTL PNL] (M20, M21, M23, M24, M25, M27)
111	0121R00175PBBB	LOUVERED SIDE PANEL [LT OF CNTL PNL] (M28)
121	0121R00131PBBB	LOUVERED SIDE PANEL (M15, M16)
121	0121R00134PBBB	LOUVERED SIDE PANEL (M20, M21, M23, M24, M25, M27)
121	0121R00176PBBB	LOUVERED SIDE PANEL (M28)
121	0121R00109PBBB	LOUVERED SIDE PANEL-VERTICAL (M1, M2, M7, M8, M10, M11, M18)
131	0121R00116PBB	LOUVERED SIDE PANEL [RT OF CNTL PNL] (M1, M2, M7, M8, M10, M11, M18)
131	0121R00138PBB	LOUVERED SIDE PANEL [RT OF CNTL PNL] (M15, M16)
131	0121R00141PBB	LOUVERED SIDE PANEL [RT OF CNTL PNL] (M20, M21, M23, M24, M25, M27)
131	0121R00177PBB	LOUVERED SIDE PANEL [RT OF CNTL PNL] (M28)
211	0161R00001P	CONDUIT (M1, M2, M7, M8, M10, M11, M12, M18, M19)
211	0161R00002P	CONDUIT (M15, M16, M20, M21, M22, M23, M24, M25, M26, M27, M28, M29)
211	0161R00032	conduit (M3, M4, M5, M6, M9, M13, M14, M17)

*Image 2:*

112	0121R00347PBB	Louver Post, PBB 23.73 (M12, M19)
112	0121R00352PBB	Louver Post, PBB 32.51 (M22, M26)
112	0121R00354PBB	Louver Post, PBB 36.30 (M29)
112	0121R00279PBB	POST, LOUVER 23_22.6, PNT BB (M3)

**Ref. Part  
No: No:**

**Description:**

*Image 2:*

112	0121R00280PBB	POST, LOUVER 23_25.2, PNT BB (M4, M5, M6, M9, M13, M14)
112	0121R00281PBB	POST, LOUVER 23_30.24, PNT BB (M17)
122	0121R00336PBBRS	Louver Panel, PBB 26" _23.73 (M12, M19)
122	0121R00344PBBRS	Louver Panel, PBB 29" _32.51 (M22, M26)
122	0121R00346PBBRS	Louver Panel, PBB 29" _36.30 (M29)
122	0121R00273PBBR	PANEL, LOUVER 23_22.6, PNT BB (M3)
122	0121R00274PBBR	PANEL, LOUVER 23_25.2, PNT BB (M4, M5, M6, M9, M13, M14)
122	0121R00275PBBR	PANEL, LOUVER 23_30.24, PNT BB (M17)
132	0121R00336PBBS	Louver Panel, PBB 26" _23.73 (M12, M19)
132	0121R00344PBBS	Louver Panel, PBB 29" _32.51 (M22, M26)
132	0121R00346PBBS	Louver Panel, PBB 29" _36.30 (M29)
132	0121R00273PBBL	PANEL, LOUVER 23_22.6, PNT BB (M3)
132	0121R00274PBBL	PANEL, LOUVER 23_25.2, PNT BB (M4, M5, M6, M9, M13, M14)
132	0121R00275PBBL	PANEL, LOUVER 23_30.24, PNT BB (M17)

Expanded Model Nomenclature

M1 - VSX130181AA
M2 - VSX130181BA
M3 - VSX130181DA
M4 - VSX130181EA
M5 - VSX130181EB
M6 - VSX130181ED
M7 - VSX130241AA
M8 - VSX130241BA
M9 - VSX130241DA
M10 - VSX130301AA
M11 - VSX130301AB
M12 - VSX130301AC
M13 - VSX130301DA
M14 - VSX130301DB
M15 - VSX130361AA
M16 - VSX130361BA
M17 - VSX130361DA
M18 - VSX130361EA
M19 - VSX130361EB
M20 - VSX130421AA
M21 - VSX130421AB
M22 - VSX130421AC
M23 - VSX130421BA
M24 - VSX130481AA
M25 - VSX130481AB
M26 - VSX130481AC
M27 - VSX130481BA
M28 - VSX130601BA
M29 - VSX130601BB