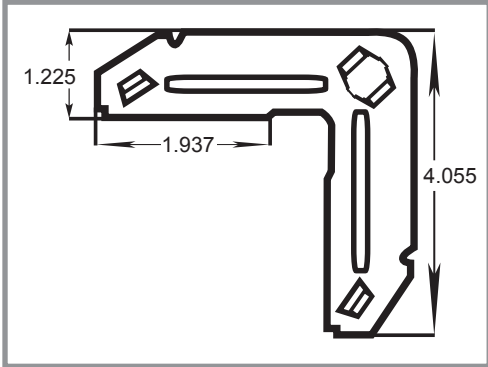


SUBMITTAL RECORD _____
 JOB _____
 LOCATION _____
 SUBMITTED TO _____
 SUBMITTAL PREPARED BY _____
 APPROVED BY _____
 DATE _____



Submittal Form TDC/TDF Stackable Cornermatic™ Corners

DDCS Stackable

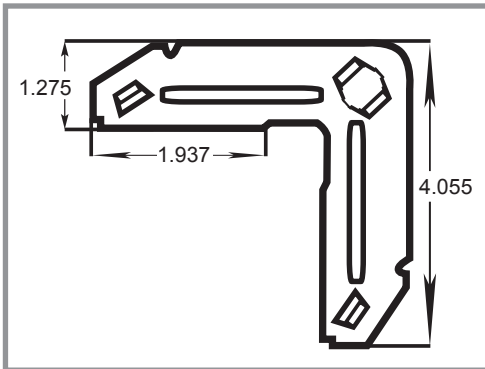


TDC Stackable Cornermatic™ Corners

- DDCS (TDC) corners are for use in corner insertion machines and are manufactured from 16-gauge steel.



DDFS Stackable



TDF Stackable Cornermatic™ Corners

- DDFS (TDF) corners are for use in corner insertion machines and are manufactured from 16-gauge steel.



| <u>Item #</u> | <u>Code</u> | <u>Description</u> |
|---------------|-------------|-----------------------------------|
| 21245 | DDCS | TDC Stackable Cornermatic™ Corner |
| 21246 | DDFS | TDF Stackable Cornermatic™ Corner |

