

SUBMITTAL RECORD

JOB _____
 LOCATION _____
 SUBMITTED TO _____
 SUBMITTAL PREPARED BY _____
 APPROVED BY _____
 DATE _____

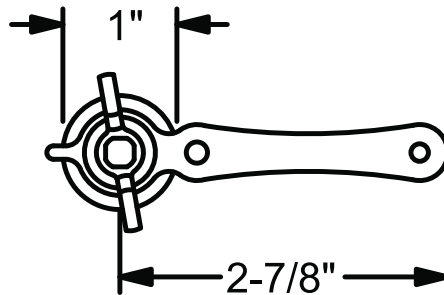


**Submittal Form
 KS - STAMPLINE
 REGULATORS**

FOR CONTROLLING SMALL DAMPERS

1/4" "JIFFY" REGULATOR SETS (FOR DAMPERS UP TO 10")

These efficient, low cost, heavy gauge, plated steel regulators install in a "jiffy" by slipping the washer and handle over the threaded square end bearing. The wing nut locks the damper in position. The position of the handle indicates the position of the damper in the duct. For use on round or square ducts.

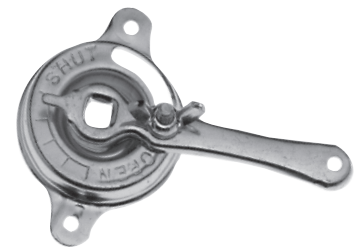
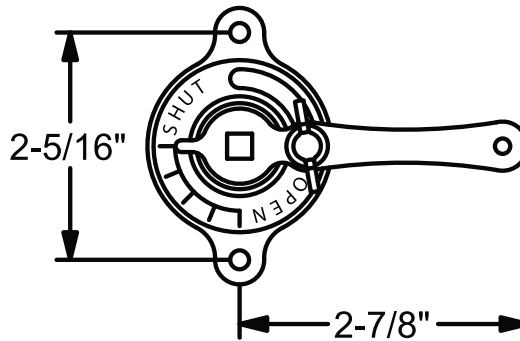


**Stands Off
 Duct 3/4"**

1/4" "JIFFY" REGULATOR SETS			
ITEM#/BULK#	CODE/BULK CODE	SET CONSISTS OF	QTY/BULK QTY
8039 / 8374	KS7 / KS7B	KP5 1/4" threaded bearing, handle; KP-6 spring loc bearing, bevelled wingnut & washer	10 Per Ctn-10 Cts Per Box / 500 Per Ctn
8046 / 8246	KS7L / KS7LB	KP5L 1/4" long threaded bearing, handle; KP-6L long spring loc bearing, bevelled wingnut & washer	10 Per Ctn-10 Cts Per Box / 500 Per Ctn
8102 / 8339	JB1 / JB1B	KP5 1/4" threaded bearing, handle; wingnut & washer	100 Per Ctn / 500 Per Ctn
8220	JB1L	KP5L 1/4" long threaded bearing, handle; wingnut & washer	100 Per Ctn
8295	JB1XL	KP5XL 1/4" extra long threaded bearing, handle; wingnut & washer	100 Per Ctn

1/4" DIAL REGULATOR SETS AND BEARINGS (FOR DAMPERS UP TO 10")

These heavy gauge plated steel regulators are among the most popular on the market. They minimize air leakage and reduce rattle. A wing nut locks the damper in position, yet permits quick readjustment. The dial shows the damper position at a glance. The regulator mounts easily on round or square ducts.



1/4" DIAL REGULATOR SETS			
ITEM#/BULK#	CODE/BULK CODE	SET CONSISTS OF	QTY/BULK QTY
8040	KS14	K-2 regulator; KP-8S square end bearing; KP-8R round end bearing	10 Per Ctn-10 Cts Per Box
8041 / 8142	KS145 / KS145B	K-2 regulator; KP-6 spring loc bearing; KP-8S square end bearing	10 Per Ctn-10 Cts Per Box / 500 Per Ctn
8047 / 8143	KS145L / KS145LB	K-2 regulator; KP-6L long spring loc bearing; KP-8L long square end bearing	10 Per Ctn-10 Cts Per Box / 500 Per Ctn
7384	KS145XLS	K-2 regulator; KP-6 spring loc bearing; KP-8XL extra long square end bearing	10 Per Ctn-10 Cts Per Box
8056 / 8350	K2 / K2B	1/4" regulator only	100 Per Ctn / 500 Per Ctn

Duro Dyne East Division, Bay Shore, NY
 Duro Dyne Midwest Division, Fairfield, OH
 Duro Dyne West Division, Fontana, CA
 Duro Dyne Canada, Lachine, Quebec, Canada

631-249-9000 Fax: 631-249-8346
 513-870-6000 Fax: 513-870-6005
 562-926-1774 Fax: 562-926-5778
 514-422-9760 Fax: 514-636-0328

www.durodyne.com E-mail: durodyne@durodyne.com



©2014 Duro Dyne Corporation
 Printed in USA 7/14
 BO008432