

The Original
DRAIN ALERT®

DAU-RS with a deep well reservoir

NOTES:

- ① 72" 18AWG HEAT-BONDED CABLE (PREWIRED AND POTTED)
- ② ELECTRICALLY POTTED SWITCH/CAP ASSEMBLY
- ③ 3/4" NPS FEMALE THREADED ADAPTER
- ④ 3/4" NPS MALE X 3/4" NPT MALE THREADED ADAPTER

COMMENTS / REQUIREMENTS:

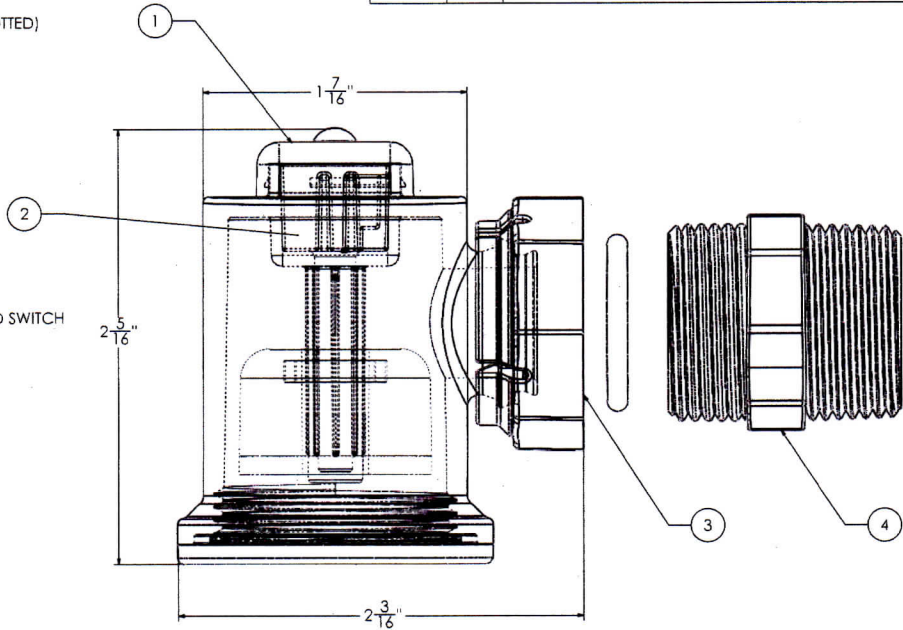
- POTTED, WATER-SEALED DESIGN WITH MAGNETIC/REED SWITCH
- UL 508 COMPLIANT
- MADE FROM POLYCARBONATE, GRADE SC0011R
- 24 VAC
- 3.0A CARRY CAPACITY
- 1.5A BREAK



E233066

IND. CONT. EQ.
 INDUSTRIAL CONTROL EQUIPMENT

| REVISIONS | | | |
|-----------|------|--------------------------|----------|
| ZONE | REV. | DESCRIPTION | DATE |
| | A | INITIAL DOCUMENT RELEASE | 1/4/2017 |



PROPRIETARY AND CONFIDENTIAL

THE INFORMATION CONTAINED IN THIS DRAWING IS THE SOLE PROPERTY OF DRAIN ALERT. ANY REPRODUCTION IN PART OR AS A WHOLE WITHOUT THE WRITTEN PERMISSION OF DRAIN ALERT IS PROHIBITED.

| | |
|-------------|---------|
| NEXT ASSY | USED ON |
| APPLICATION | |

| | | | | | |
|---|---------------|----------------------|---|--|---|
| UNLESS OTHERWISE SPECIFIED DIM ARE IN INCHES TOL ON ANGLE +/- 0°30' 2 PL +/- .03 3 PL +/- .010 INTERPRET DIM AND TOL PER ASME Y14.5M | | CONTRACT NO. - | DATE - | THE FOLLOWING ECDS HAVE BEEN ATTACHED TO THIS PPRINT | |
| DRAWN BY - | ENGINEER - | DESIGN APPROVAL - | CONFIGURATION MANAGER - | OTHER APPROVALS - | DRAIN ALERT 4217 E. 98th Avenue Tampa, FL 33617 TEL: (813) 989-9007 FAX: (813) 989-9031 DRAINALERT@GMAIL.COM |
| THIRD ANGLE PROJECTION | | | PRODUCT DATA SHEET | | |
| SCALE 2:1 | | SHEET 1 of 1 | SITE B CAGE CODE - DWG NO. DAR-US REV A | | |

Ordering Information:

- Standard Unit Length: 3.020"
- Standard Unit Width: 1.400"
- Standard Unit Height: 2.280"
- Unit Weight: 3.0 ounces
- Unit Volume: 1.231 cu. In.
- Box Quantity: 1
- Case Quantities: 50, 100, 160

Drain Alert Products, Inc • 4217 East 98th Avenue • Tampa, FL 33617

drainalert@gmail.com • (813) 989-9007