

Project Name: \_\_\_\_\_  
 Location: \_\_\_\_\_  
 Engineer: \_\_\_\_\_  
 Submitted to: \_\_\_\_\_  
 Submitted by: \_\_\_\_\_  
 Reference: \_\_\_\_\_

Approval: \_\_\_\_\_  
 Date: \_\_\_\_\_  
 Construction: \_\_\_\_\_  
 Unit #: \_\_\_\_\_  
 Drawing #: \_\_\_\_\_

## Performance

*Indoor Unit Model No:* FTXS18LVJU  
*Outdoor Unit Model No:* RXS18LVJU  
*Rated Cooling Capacity (Btu/hr):* 18000  
*Sensible Capacity (Btu/hr):* 14790  
*Max/Min Cooling Capacity (Btu/hr / kW):* 18000/5800  
*Cooling Input Power (kW):* 1.42  
*SEER:* 20.3  
*Rated Heating Capacity (Btu/hr):* 21600  
*Max/Min Heating Capacity (Btu/hr / kW):* 21600/5800  
*Heating Input Power (kW):* 1.71  
*Heating COP (Btu/hr / Btu/hr):* 3.7  
*HSPF:* 11

*Indoor Unit Type:* Wall Mounted  
*Condensing Unit Type:* High SEER Heat Pump  
*Rated Cooling Conditions*  
 Indoor: 80°F DB/67°F WB  
 Outdoor: 95°F DB/75°F WB  
*Rated Heating Conditions*  
 Indoor: 70°F DB/60°F WB  
 Outdoor: 47°F DB/43°F WB  
*Rated Piping Length(ft)* 25  
*Rated Height Separation(ft)* 0

## Indoor Unit Details

*Power Supply (V/Hz/Ph):* 208-230/60/1ph  
*Power Supply Connections:* L1, L2, Ground  
*Min Circuit Amps MCA (A):* N/A  
*Max Overcurrent Amps MFA (A):* N/A  
*Dimensions (HxWxD):* 13-3/8x41-5/16x9-3/4  
*Panel (HxWxD):* N/A  
*Net Weight (lbs):* 31  
*Weight with Panel (lbs):* N/A

*Airflow Rate (CFM wet coil)* 583/484/385/360  
*Moisture Removal (pt/h):* 1  
*Gas Pipe Connection (inch):* 1/2  
*Liquid Pipe Connection (inch):* 1/4  
*Condensate Connection (inch):* 5/8  
*Sound Pressure Level (dBA):* 45  
*Sound Power Level (dBA):* 61  
*Static Pressure Rated/Max (inWg)* 0 / 0/0

## Condensing Unit Details

*Power Supply (V/Hz/Ph):* 208-230/60/1ph  
*Power Supply Connections:* L1, L2, Ground  
*Min. Circuit Amps MCA (A):* 13.75  
*Max. Overcurrent Amps MFA (A):* 20  
*Max. Starting Current MSC(A):* \_\_\_\_\_  
*Rated Load Amps RLA (A):* 5.9  
*Dimensions (HxWxD):* 28-15/16x32-1/2x11-13/16  
*Net Weight (lbs):* 104

*Compressor Type:* Inverter  
*Capacity Control Range (%):* \_\_\_\_\_  
*Airflow Rate (CFM):* 1780  
*Gas Pipe Connection (inch):* 1/2  
*Liquid Pipe Connection (inch):* 1/4  
*Sound Pressure Level (dBA):* 49  
*Sound Power Level (dBA):* 61

## System Details

*Refrigerant Type:* R-410A  
*Holding Refrigerant Charge (lbs):* 3.97  
*Additional Charge (oz/ft):* 0.21  
*Pre-charge Piping (Length ft):* 32.8 ft  
*Max. Pipe Length (Total ft):* 98.4 ft

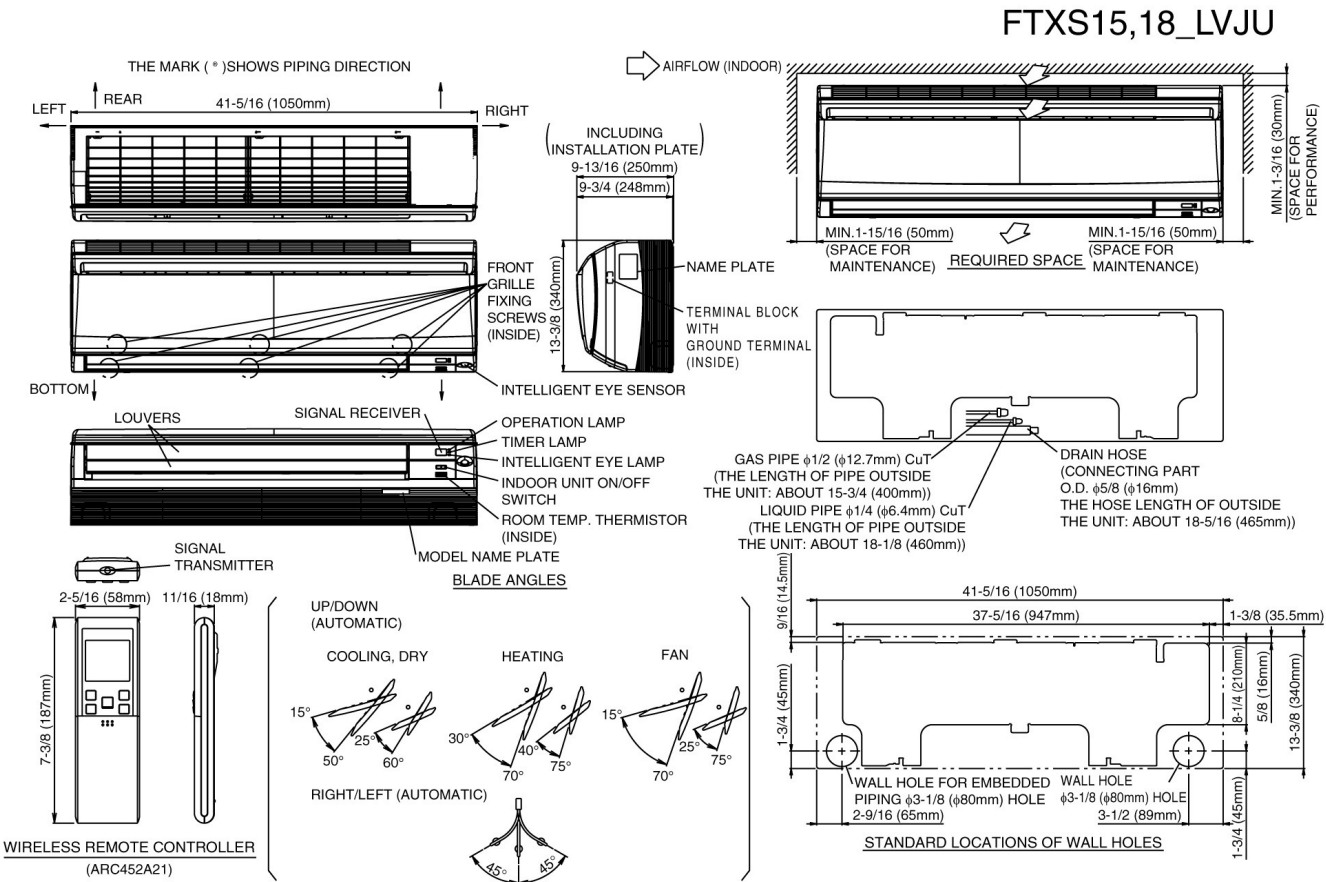
*Max. Pipe Length (Vertical ft):* 65.6 ft  
*Cooling Operation Range (°F):* 14 - 115  
*Cooling Range w/Baffle (°F):* 0 - 115  
*Heating Operation Range (°F):* 5 - 64  
*Heating Range w/Baffle (°F):* 0 - 77

Project Name: \_\_\_\_\_  
 Location: \_\_\_\_\_  
 Engineer: \_\_\_\_\_  
 Submitted to: \_\_\_\_\_  
 Submitted by: \_\_\_\_\_  
 Reference: \_\_\_\_\_

Approval: \_\_\_\_\_  
 Date: \_\_\_\_\_  
 Construction: \_\_\_\_\_  
 Unit #: \_\_\_\_\_  
 Drawing #: \_\_\_\_\_

## Dimensional Drawing - Indoor Unit

FTXS18LVJU



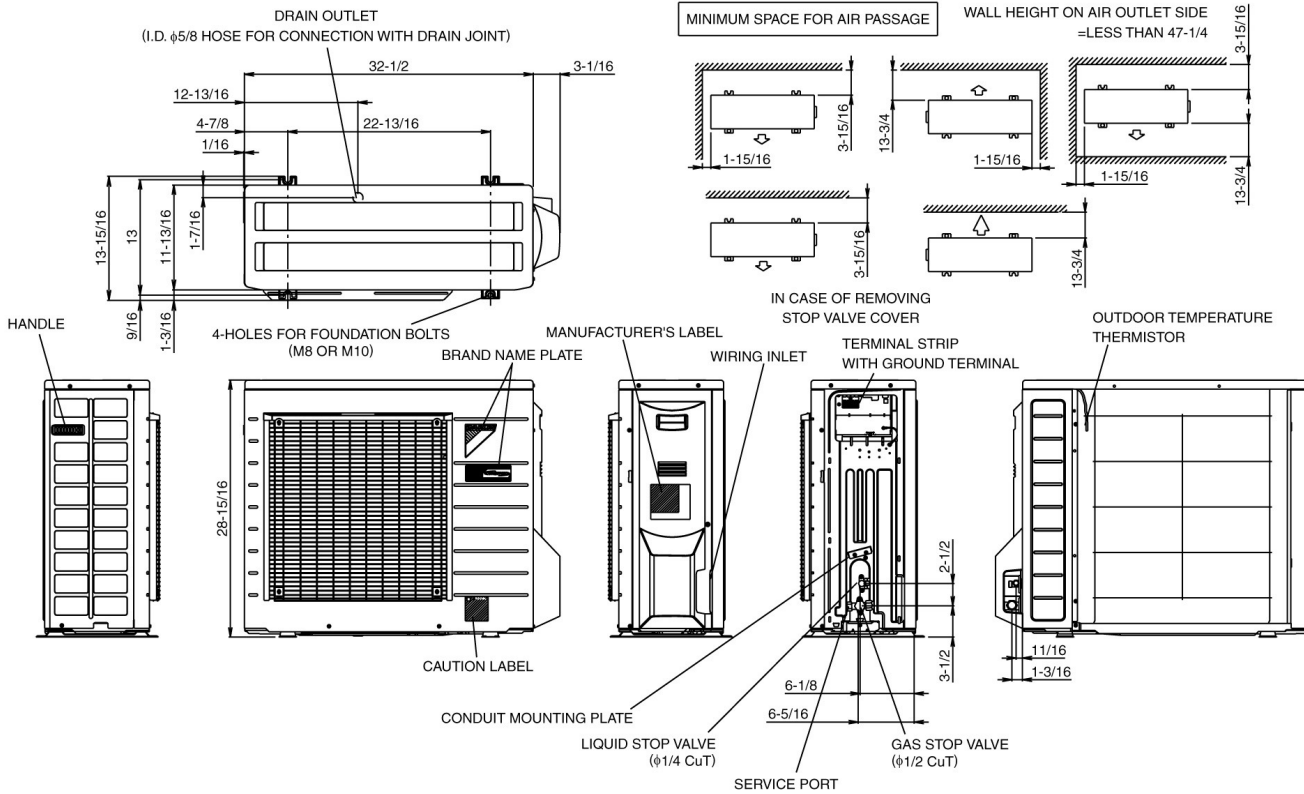
Project Name: \_\_\_\_\_  
 Location: \_\_\_\_\_  
 Engineer: \_\_\_\_\_  
 Submitted to: \_\_\_\_\_  
 Submitted by: \_\_\_\_\_  
 Reference: \_\_\_\_\_

Approval: \_\_\_\_\_  
 Date: \_\_\_\_\_  
 Construction: \_\_\_\_\_  
 Unit #: \_\_\_\_\_  
 Drawing #: \_\_\_\_\_

**Dimensional Drawing - Condensing Unit**

RXS18LVJU

RXS15,18\_LVJU



Project Name: \_\_\_\_\_  
 Location: \_\_\_\_\_  
 Engineer: \_\_\_\_\_  
 Submitted to: \_\_\_\_\_  
 Submitted by: \_\_\_\_\_  
 Reference: \_\_\_\_\_

Approval: \_\_\_\_\_  
 Date: \_\_\_\_\_  
 Construction: \_\_\_\_\_  
 Unit #: \_\_\_\_\_  
 Drawing #: \_\_\_\_\_

**FTXS18LVJU**



**RXS18LVJU**



**FTXS18LVJU**

Std U.S. Warranty: 7yrs Compressor, 5yrs Parts.  
 Optional accessories like Wind Baffle, Wired Remote Controller, Mounting Bracket can be included at additional charges

**RXS18LVJU**

Std U.S. Warranty: 7yrs Compressor, 5yrs Parts.  
 Optional accessories like Wind Baffle, Wired Remote Controller, Mounting Bracket can be included at additional charges