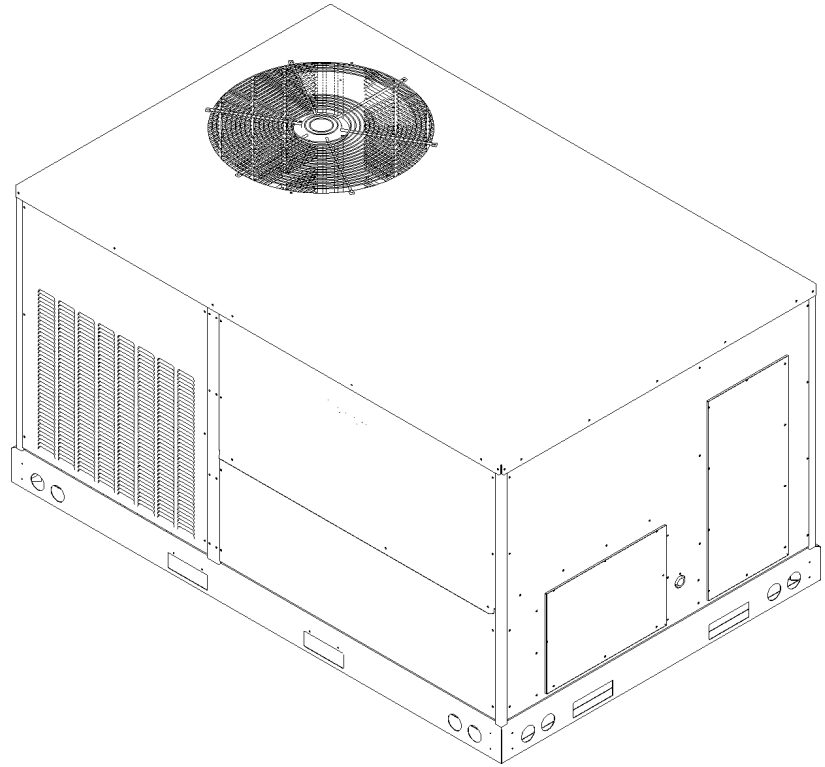


Commercial 6 Ton 2-Speed Package Heat Pump

DCH072XXX3VBXXAA
DCH072XXX3VVXDAA
DCH072XXX3VXXXAA
DCH072XXX4VXXXAA
DCH072XXX7VXXXAA



This manual is to be used by qualified technicians only.

This manual replaces RP-D1093A.

© 2016 - 2017 **DAIKIN COMPANY, L.P.** ♦ 5151 San Felipe St., Suite 500 ♦ Houston, TX 77056

Important Information

Index

Functional Parts List	3
Illustration and Parts	4 - 15

Views shown are for parts illustrations only, not servicing procedures

Text Codes:

AR - As Required

NA - Not Available

NS - Not Shown

00000000 - See Note

QTY - Quantity Example (QTY 3) (If Quantity not shown, Quantity = 1)

M - Model Example (M1) (If M Code not shown, then part is used on all Models)

Expanded Model Nomenclature:

Example M1 - Model#1 M2 - Model#2 M3 - Model#3

Daikin Company, L.P. is not responsible for personal injury or property damage resulting from improper service. Review all service information before beginning repairs.

Warranty service must be performed by an authorized technician, using authorized factory parts. If service is required after the warranty expires, Daikin Company, L.P. also recommends contacting an authorized technician and using authorized factory parts.

Daikin Company, L.P. reserves the right to discontinue, or change at any time, specifications or designs without notice or without incurring obligations.

For assistance within the U.S.A. contact:

Homeowner Support
Daikin North America, LLC
19001 Kermier Road
Waller, Texas 77484
855-770-5678-Telephone
713-863-2382-Facsimile

For assistance outside the U.S.A. contact:

International Division
Daikin North America, LLC
19001 Kermier Road
Waller, Texas 77484
713-861-2500-Telephone
713-863-2382-Facsimile

Functional Parts

Part

No: Description:

0130M00025	24V RELAY (M4, M5)
B1368056	BELT DRIVE BLOWER WHEEL
CAP100000370LA	CAPACITOR 10/370V (M1, M2, M3, M4)
CAP050000440LA	CAPACITOR 5/440V (M5)
ZPS60K5ETFD130	COMP, 60900, 460/60/3 2 STAGE (M4)
ZPS60K5ETF5130	COMP, 61000, 200/230/60/3 2 ST (M1, M2, M3)
ZPS60K5ETFE130	COMP, 61000, 575/60/3 2 STAGE (M5)
0131M00430	COND MOTOR 1/3 HP, 1 SP, 6 PL (M1, M2, M3)
0131M00500	COND MOTOR 1/3 HP, OD, LAK (M5)
CONT3P025024V	CONTACTOR 25 AMP, 3P, 24V (M4, M5)
CONT3P030024V	CONTACTOR 30 AMP, 3P, 24V (M1, M2, M3)
CONT2P040024V	CONTACTOR 40 AMP, 2P, 24V (M1)
0130M00101	CONTROL, DEFROST
0130L00019	CRANK CASE HEATER, 70W, 575V (M5)
0130L00017	CRANK CASE HEATER-70W 240V (M1, M2, M3)
0130L00018	CRANK CASE HEATER-70W, 480V (M4)
0130M00074	CUT-OUT SWITCH, HIGH PRESSURE
0130M00075	CUT-OUT SWITCH, LOW PRESSURE
PCBCG100	DDC Controller (M1)
PCBDM133	DEFROST CONTROL BOARD
0130M00106	DISC THERMOSTAT CRNKCS HTR SW
0130L00112	Duct Temp Sensor (M1)
PCBFM103	ELECTRONIC BLOWER TIME DELAY
0164L00010	FAN BELT, NOTCHED
0150G00004	FAN BLADE (M5)
B1086765	FAN BLADE TYPE 3 (M1, M2, M3, M4)
0131L00041	MOTOR 2 HP BELT DRIVE 208-230V (M1, M2, M3)
0131L00043	MOTOR 2HP BELT DRIVE 460V (M4)
0131L00042	MOTOR 2HP BELT DRIVE 575V (M5)
0131M00774	MOTOR, 1/3 HP, OD (M4)
0130L00108	OD Air Temp Sensor (M1)
10135604	RELAY (QTY 5)
0151R00071	REVERSING VALVE
B1225022	SOLENOID COIL
0130M00240	TERMINAL BOARD
0130M00274	TERMINAL BOARD (M1)
0130M00275	TERMINAL BOARD (M1)
0130M00144	TRANSFORMER (M1, M2, M3)
0130M00145	TRANSFORMER 480V to 24V, 75VA (M4)
0130M00148	TRANSFORMER 575V to 24V, 75VA (M5)

Expanded Model Nomenclature

M1 - DCH072XXX3VBXXAA
M2 - DCH072XXX3VVXDAA
M3 - DCH072XXX3VXXXAA
M4 - DCH072XXX4VXXXAA
M5 - DCH072XXX7VXXXAA

Top Panel and Tubing Assembly

IMAGE 1

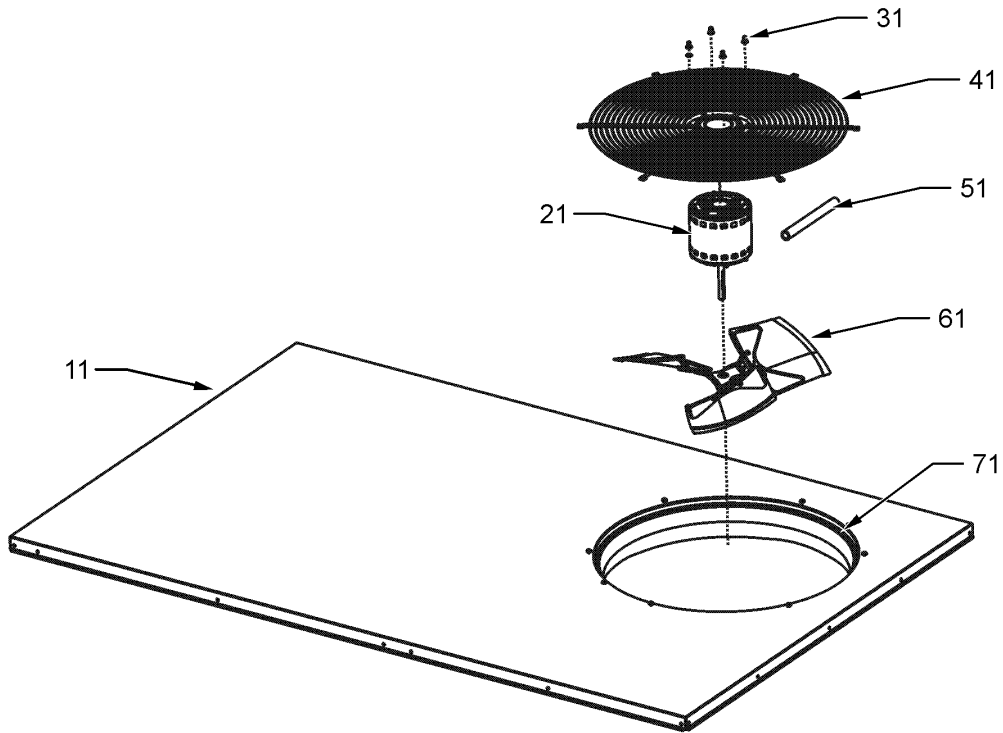
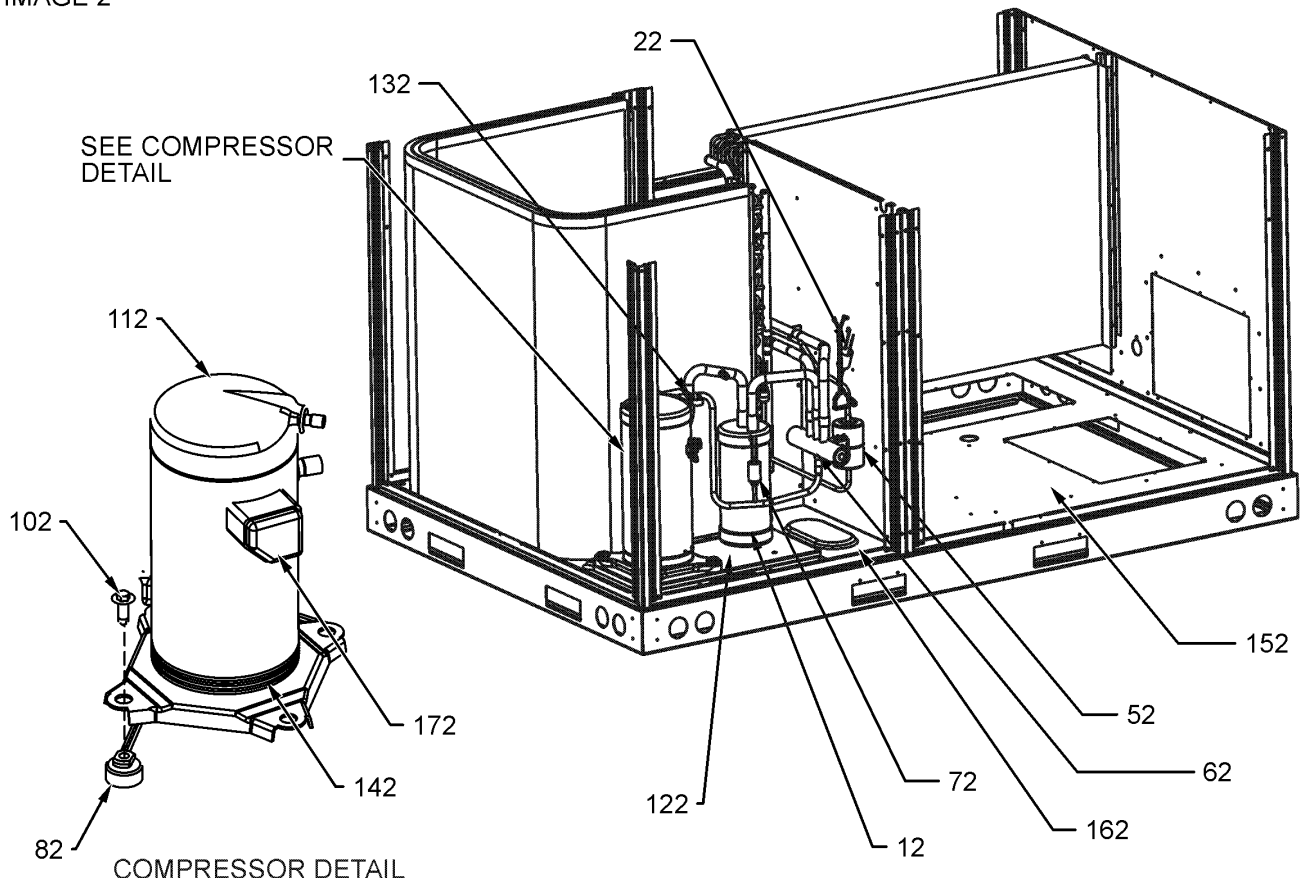


IMAGE 2



Top Panel and Tubing Assembly

Ref. Part No: No:	Description:	Ref. Part No: No:	Description:
-------------------	--------------	-------------------	--------------

Image 1:

11	0121L00235NG	TOP PANEL
21	0131M00430	COND MOTOR 1/3 HP, 1 SP, 6 PL (M1, M2, M3)
21	0131M00500	COND MOTOR 1/3 HP, OD, LAK (M5)
21	0131M00774	MOTOR, 1/3 HP, OD (M4)
31	0163M00006P	ACORN NUT 5/16 HEX BLACK (QTY 4)
41	0152G00003	FAN GRILLE
51	17788000083F	PVC CONDUIT 8.25"
61	0150G00004	FAN BLADE (M5)
61	B1086765	FAN BLADE TYPE 3 (M1, M2, M3, M4)
71	0161L00000	VENTURI RING 22"
NS	0163M00004	SCREW #10X3/4", BLACK (QTY 18)
NS	0163M00005P	WASHER, BLACK (.50 OD .218ID) (QTY 4)

Image 2:

12	B1226207	ACCUMULATOR .875
22	0130M00075	CUT-OUT SWITCH, LOW PRESSURE
52	20485201	BI-FLOW FILTER DRIER
62	0151R00071	REVERSING VALVE
72	0130M00074	CUT-OUT SWITCH, HIGH PRESSURE
82	B1339533	COMPRESSOR GROMMET (QTY 4)
102	M0221641	TF SHOULDER SCREW (QTY 4)
112	ZPS60K5ETFD130	COMP, 60900, 460/60/3 2 STAGE (M4)
112	ZPS60K5ETF5130	COMP, 61000, 200/230/60/3 2 ST (M1, M2, M3)
112	ZPS60K5ETFE130	COMP, 61000, 575/60/3 2 STAGE (M5)
122	0121L01308	MOUNTING PLATE-COMPRESSOR
132	0130M00106	DISC THERMOSTAT CRNKCS HTR SW
142	0130L00019	CRANK CASE HEATER, 70W, 575V (M5)
142	0130L00017	CRANK CASE HEATER-70W 240V (M1, M2, M3)
142	0130L00018	CRANK CASE HEATER-70W, 480V (M4)
152	0121L00943	BASE PAN-INDOOR
162	0121L01307	BASE PAN-OUTDOOR
172	0159L00065	COMPRESSOR SCROLL HARNESS
NS	B1373315	ACCESS FITTING (QTY 2)
NS	0159G00010	CABLE, COMPR SOL
NS	0163M00175	CAP WITH O-RING (QTY 2)
NS	B1225022	SOLENOID COIL

Expanded Model Nomenclature

M1 - DCH072XXX3VBXXAA
M2 - DCH072XXX3VVXDAA
M3 - DCH072XXX3VXXXAA
M4 - DCH072XXX4VXXXAA
M5 - DCH072XXX7VXXXAA

Cabinet Assembly

IMAGE 1

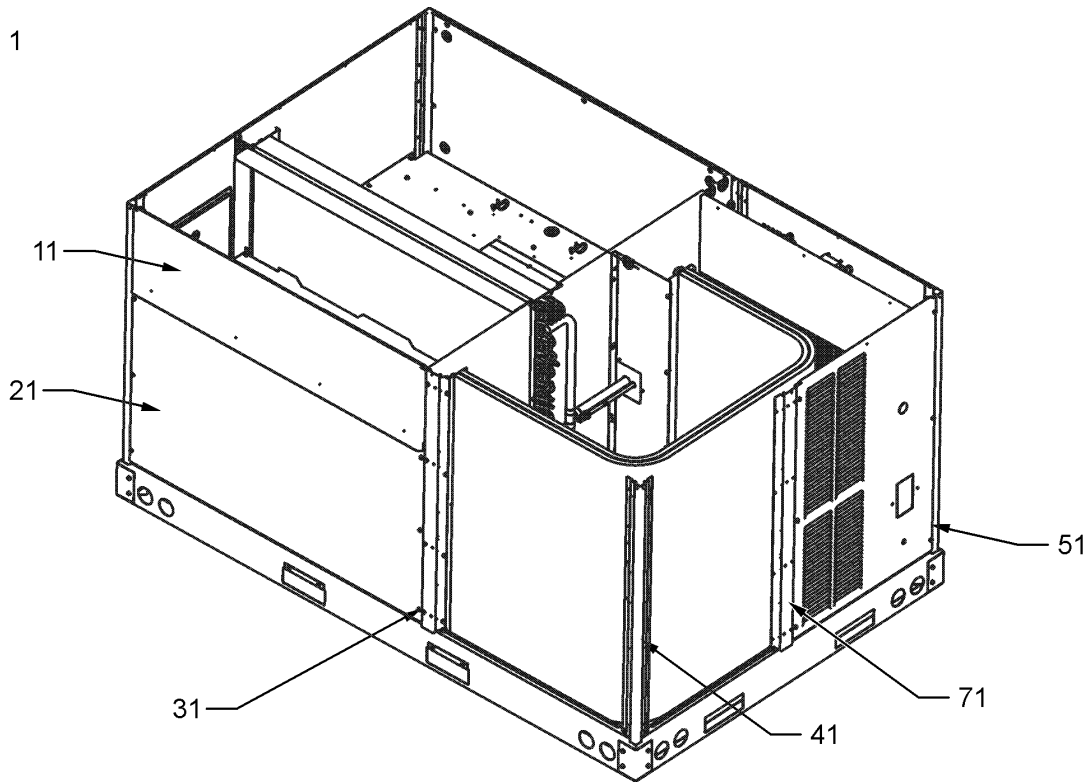
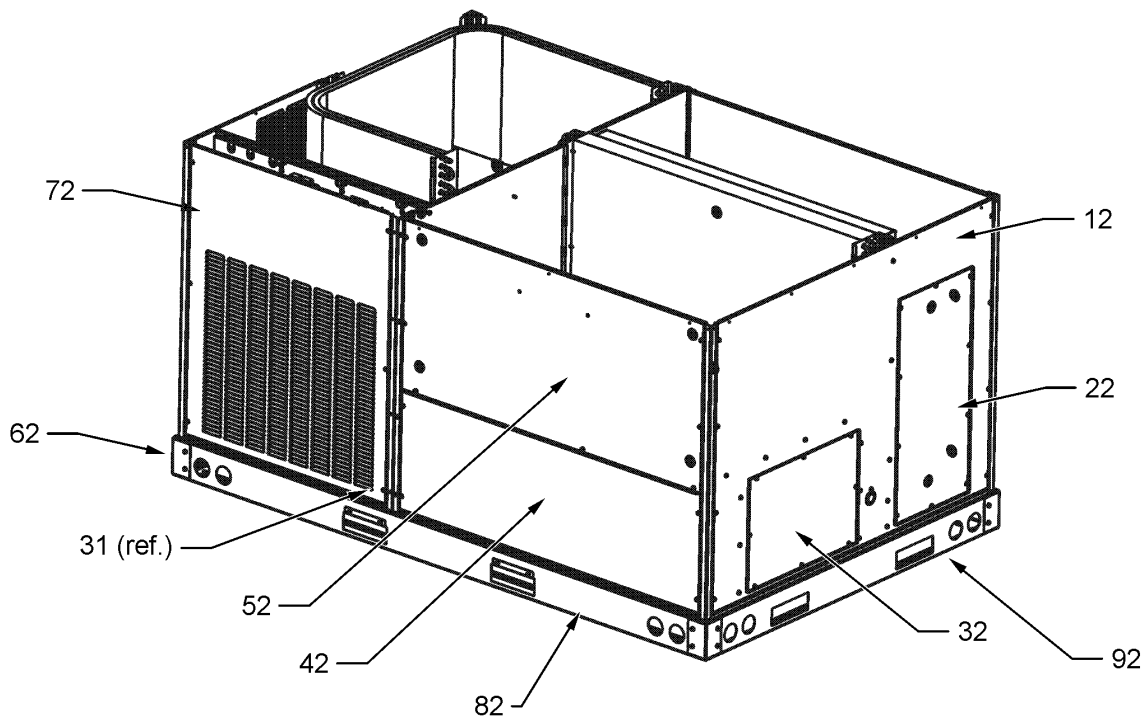


IMAGE 2



Cabinet Assembly

Ref. Part No: No:	Description:	Ref. Part No: No:	Description:
-------------------	--------------	-------------------	--------------

Image 1:

11	0270L00363NG	FILTER DOOR
21	0121L00976NG	ECONOMIZER DOOR
31	0121L00343RFNG	POST-SIDE RF PAINTED (QTY 2)
41	0121L00344RFNG	CORNER POST (QTY 4)
51	0121L00354NG	LOUVERED COMPRESSOR PANEL
71	0121L01169RFNG	POST-SIDE RF PAINTED
NS	0164L00009	GASKET-RUBBER, CPOST (QTY 3)
NS	0164L00011	GASKET-RUBBER, SIDE POST (QTY 2)

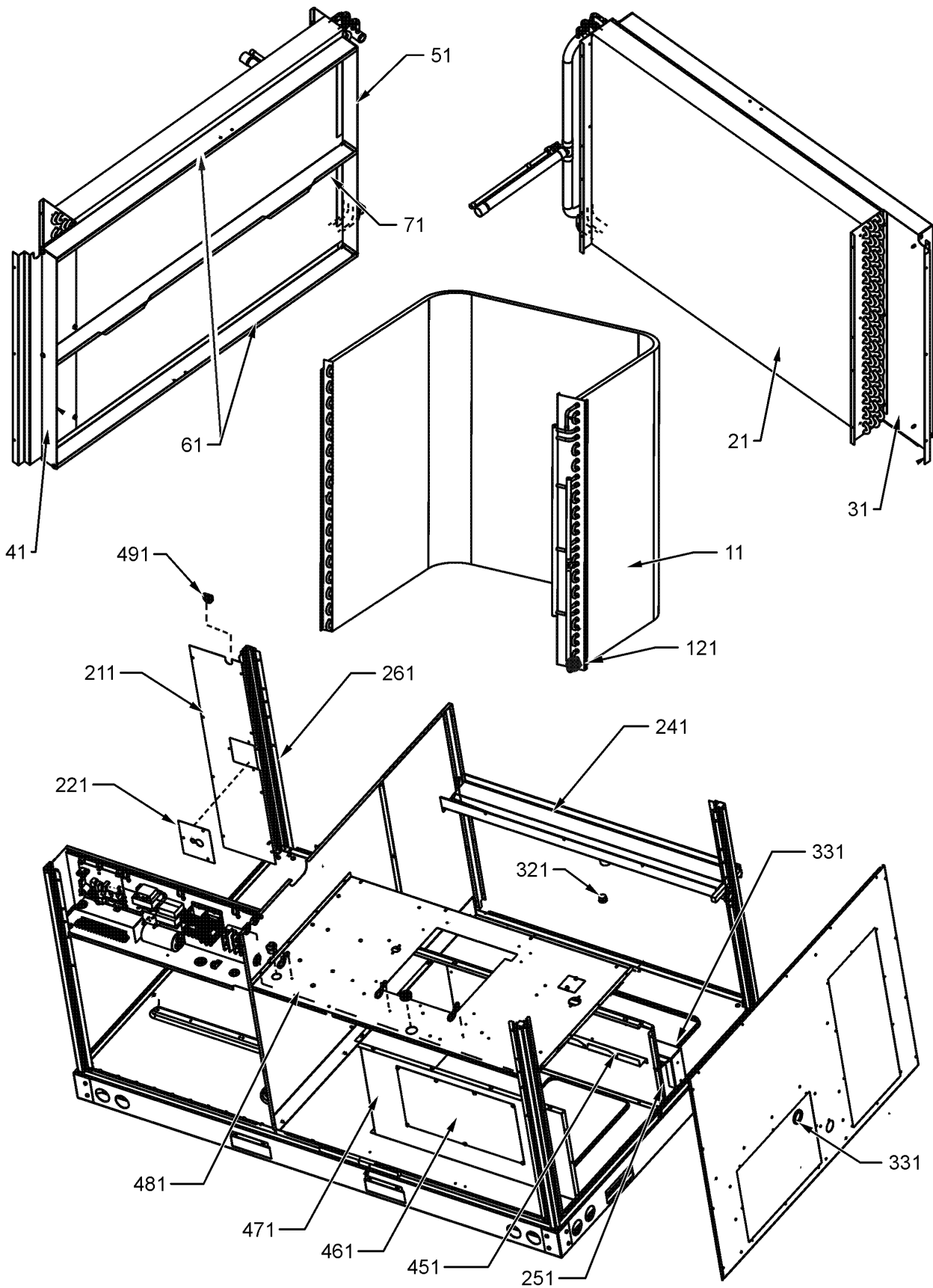
Image 2:

12	0121L00342NG	DUCT PANEL
22	0121L00023NG	RETURN DUCT COVER
32	0121L00024NG	SUPPLY DUCT COVER
42	0121L01176NG	ELECTRIC HEAT DOOR
52	0121L01172NG	BLOWER DOOR
62	0121G00301	RAIL CORNER BRACKET (QTY 4)
72	0121L01170NG	LOUVERED CONTROL PANEL
82	0121L00244RF	SIDE RAIL (QTY 2)
92	0121L00245	END RAIL (QTY 2)
NS	0141L00003X	FORK BOARD (QTY 2)
NS	0121L00055	FORK BOARD BRACKET (QTY 4)

Expanded Model Nomenclature

- | |
|-----------------------|
| M1 - DCH072XXX3VBXXAA |
| M2 - DCH072XXX3VVXDAA |
| M3 - DCH072XXX3VXXXAA |
| M4 - DCH072XXX4VXXXAA |
| M5 - DCH072XXX7VXXXAA |

Condenser/Evaporator/Partition Assembly



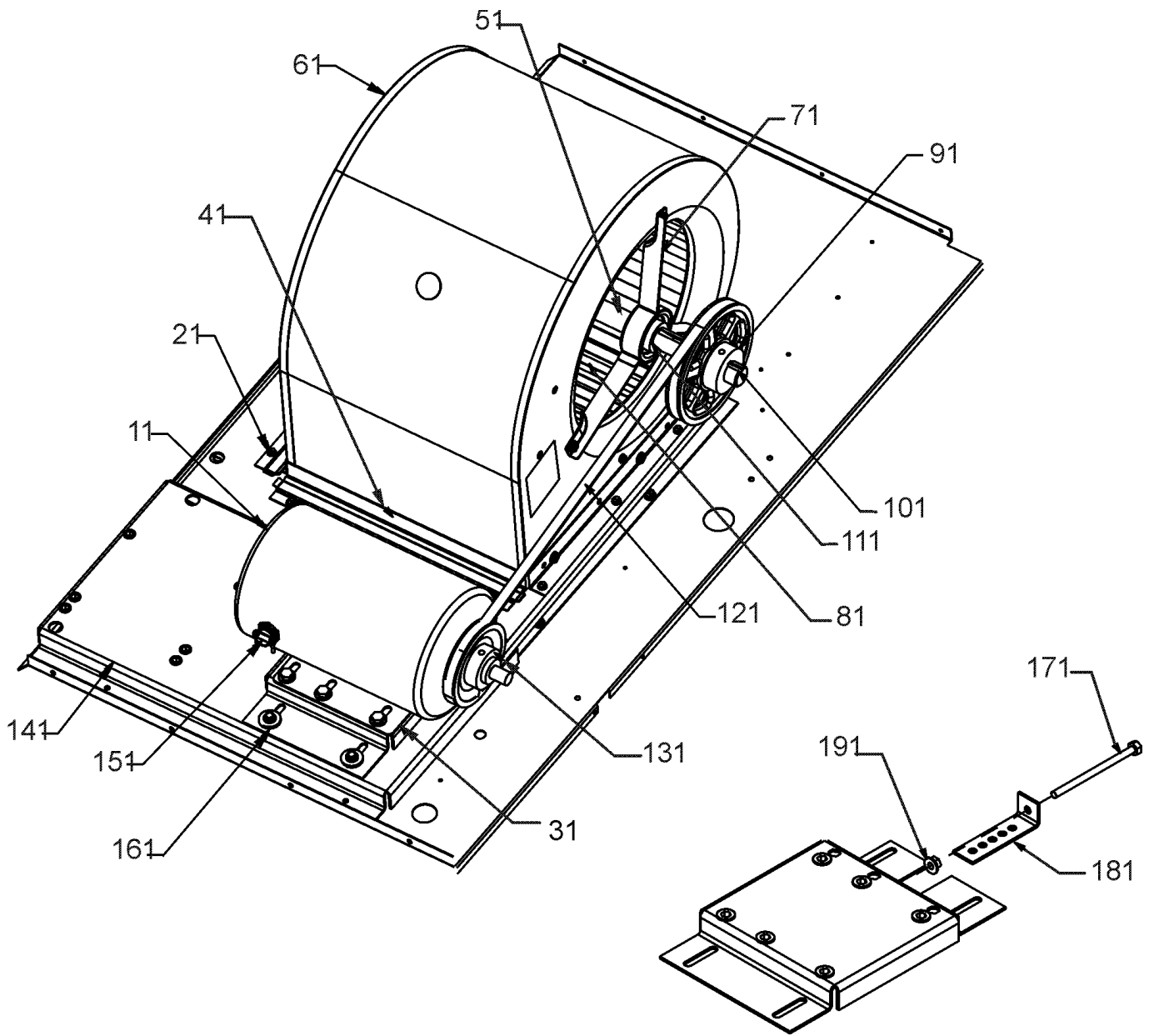
Condenser/Evaporator/Partition Assembly

Ref. Part No:	Description:	Ref. Part No:	Description:
Image 1:			
11	0201L00053		TUBING ASSY, COND COIL
21	0202L00146		EVAP COIL ASSY
31	0121L00345		BLOCKOFF-EVAPORATOR (M1, M3, M4, M5)
31	0121L00398		BLOCKOFF-EVAPORATOR (M2)
41	0121L00358		FILTER ANGLE-VERTICAL (HAIRPIN SIDE)
51	0121L00357		FILTER ANGLE-VERTICAL (RETURN SIDE)
61	0121L00932		FILTER ANGLE-HORIZONTAL (QTY 2)
71	0121L01255		ANGLE-FILTER CENTER
121	0130M00101		CONTROL, DEFROST
211	0121L00348		COND BLOCK-OFF
221	0121L00939		CONDENSER BLOCKOFF PLATE
231	0121L00238		DRAIN PAN SUPPORT
241	0161L00005		DRAIN PAN
251	0121L00243		DECK SIDE CHANNEL
261	0121L00349		COND MOUNTING ANGLE
321	0163L00071		DRAIN PLUG
331	0154L00009		DRAIN PAN GASKET
451	0121L00288		ELECTRIC HEAT RETAINER
461	0121L00144		ELECTRIC HEAT COVER
471	0121L00256		ELECTRIC HEAT PANEL
481	0121L01442		BLOWER DECK
491	A4568804		GROMMET-D (QTY 4)
NS	0160L00174		AIR FILTER 16 X 20 X 2 (QTY 4)
NS	0121L00321		SMOKE DETECTOR COVER

Expanded Model Nomenclature

- M1 - DCH072XXX3VBXXAA
- M2 - DCH072XXX3VVXDAA
- M3 - DCH072XXX3VXXXAA
- M4 - DCH072XXX4VXXXAA
- M5 - DCH072XXX7VXXXAA

Belt Drive Blower Assembly



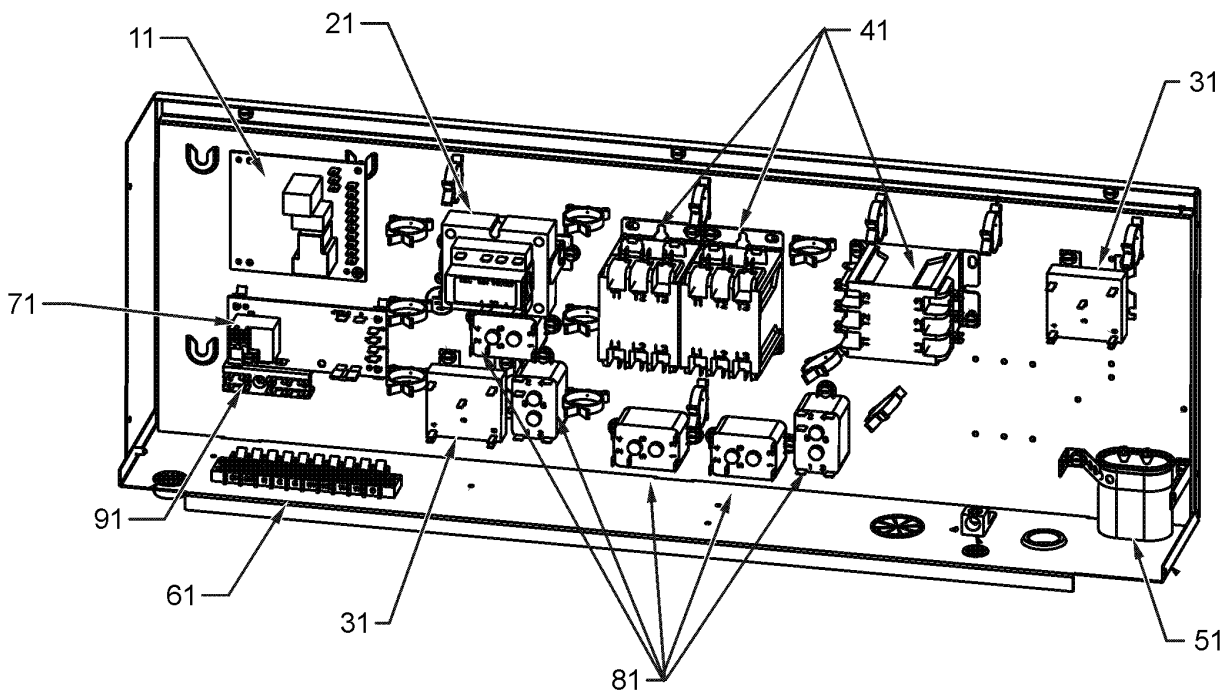
Belt Drive Blower Assembly

Ref. Part No:	No:	Description:	Ref. Part No:	No:	Description:
<i>Image 1:</i>					
11	0131L00041	MOTOR 2 HP BELT DRIVE 208-230V (M1, M2, M3)			
11	0131L00043	MOTOR 2HP BELT DRIVE 460V (M4)			
11	0131L00042	MOTOR 2HP BELT DRIVE 575V (M5)			
21	0121L00297	BLOWER SIDE ANGLE (QTY 3)			
31	0121L00899	MOTOR BASE			
41	0121L00281	BLOWER MOUNTING ANGLE			
51	0163L00005	BELT DRIVE BLOWER SHAFT			
61	2539302F	BLOWER HOUSING 11 X 10			
71	B3201300	MOUNTING BRACKET BEARING (QTY 2)			
81	B1368056	BELT DRIVE BLOWER WHEEL			
91	0163L00136	SHEAVE, FIXED AK59H			
101	B1398604	STEEL KEY (000158812) 2.0"			
111	B1399500	BALL BEARING 1.00" (QTY 2)			
121	0164L00010	FAN BELT, NOTCHED			
131	B2120001	VARIABLE PITCH SHEAVE 1VL44 X 3/8" (M5)			
131	B2120014	VARIABLE PITCH SHEAVE 1VL44 X 7/8" (M1, M2, M3, M4)			
141	0121L01203	BLOWER PLATE SUPPORT			
151	B1393726	ELECT. CONNECTING BUSHING			
161	B1393738	BOLT 1/4-20 X 3/4" (QTY 8)			
171	0163M00045	BOLT 1/4-20 X 4"			
181	3225000F	BELT TIGHTENER ANGLE			
191	B1393023	NUT / LOCK .25-20			
NS	1864703	BLOWER CUT-OFF			
NS	B1398603	STEEL KEY (000158812) 4.5"			

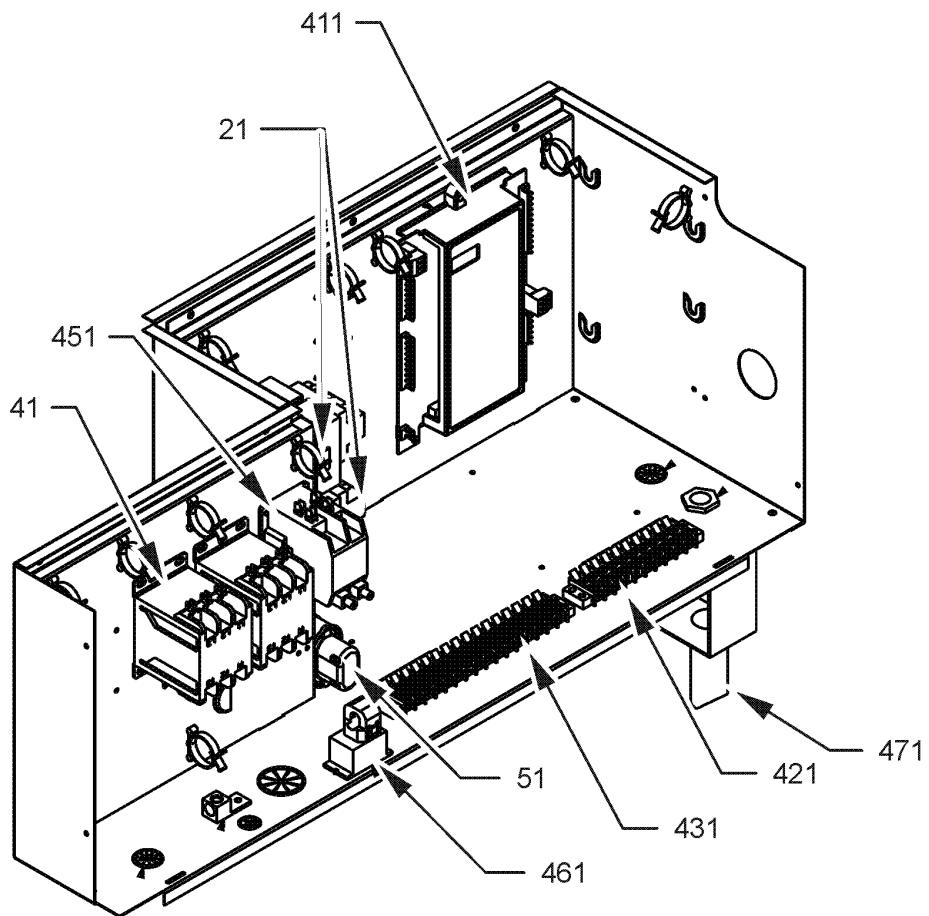
Expanded Model Nomenclature

M1 - DCH072XXX3VBXXAA
M2 - DCH072XXX3VVXDAA
M3 - DCH072XXX3VXXXAA
M4 - DCH072XXX4VXXXAA
M5 - DCH072XXX7VXXXAA

Control Box Assembly



CONTROL BOX
FOR MODELS
WITH DDC CONTROL



Control Box Assembly

Ref. Part No:	No:	Description:	Ref. Part No:	No:	Description:
Image 1:					
11	PCBDM133	DEFROST CONTROL BOARD			
21	0130M00144	TRANSFORMER (M1, M2, M3)			
21	0130M00145	TRANSFORMER 480V to 24V, 75VA (M4)			
21	0130M00148	TRANSFORMER 575V to 24V, 75VA (M5)			
31	0130M00025	24V RELAY (M4, M5)			
41	CONT3P025024V	CONTACTOR 25 AMP, 3P, 24V (M4, M5)			
41	CONT3P030024V	CONTACTOR 30 AMP, 3P, 24V (M1, M2, M3)			
51	CAP100000370LA	CAPACITOR 10/370V (M1, M2, M3, M4)			
51	CAP050000440LA	CAPACITOR 5/440V (M5)			
61	0130M00240	TERMINAL BOARD			
71	PCBFM103	ELECTRONIC BLOWER TIME DELAY			
81	10135604	RELAY (QTY 5)			
91	802007090	TERM BOARD			
411	PCBCG100	DDC Controller (M1)			
421	0130M00274	TERMINAL BOARD (M1)			
431	0130M00275	TERMINAL BOARD (M1)			
451	CONT2P040024V	CONTACTOR 40 AMP, 2P, 24V (M1)			
461	0259L00368	CURRENT SWITCH WITH TERMS (M1)			
471	0130L00108	OD Air Temp Sensor (M1)			
NS	B821700	CAPACITOR BOOT (M1)			
NS	20520901	CAPACITOR STRAP			
NS	20520901	CAPACITOR STRAP			
NS	0130L00112	Duct Temp Sensor (M1)			
NS	0259L00322	HARN, PWR, CM 230V, HP (M1, M2, M3)			
NS	0259L00366	HARN, PWR, HP, 460/575V CM (M4, M5)			
NS	0259L00321	HARNESS, BELT DRIVE 2 SP MOTOR			
NS	0259L00367	HARNESS, CONTROL, HP			
NS	0259L00323	HARNESS, HP - CCH (M4, M5)			
NS	0259L00335	HARNESS, POWER, 2 SPD EM			
NS	0259L00054	WIRING HARNESS (M1)			

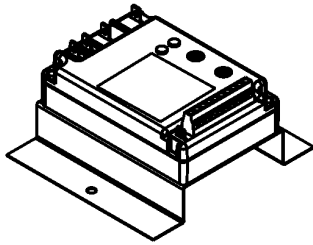
Expanded Model Nomenclature

M1 - DCH072XXX3VBXXAA
M2 - DCH072XXX3VVXDAA
M3 - DCH072XXX3VXXXAA
M4 - DCH072XXX4VXXXAA
M5 - DCH072XXX7VXXXAA

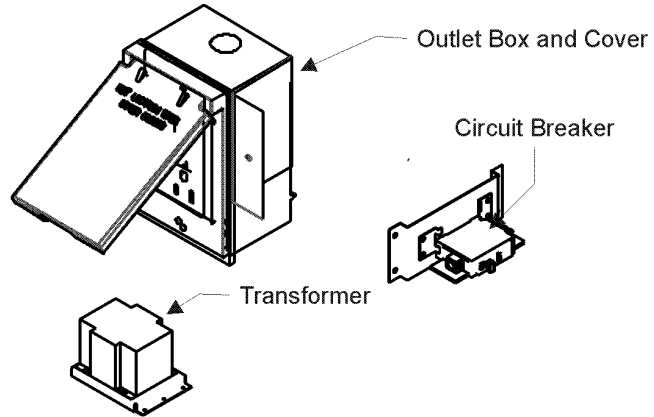
ACCESSORY PARTS LIST

NOTE: NOT ALL OPTIONS AVAILABLE FOR ALL PRODUCTS

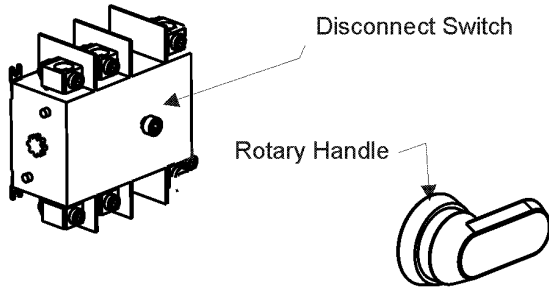
1 LOW AMBIENT KITS



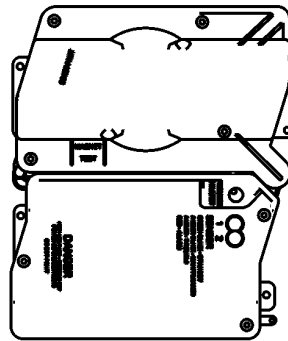
2 GFCI CONVENIENCE OUTLET



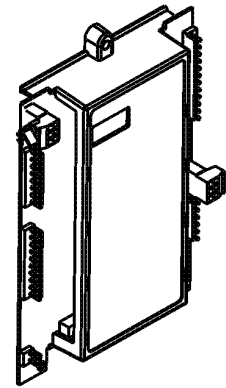
3 DISCONNECT MODULE (NON-FUSED)



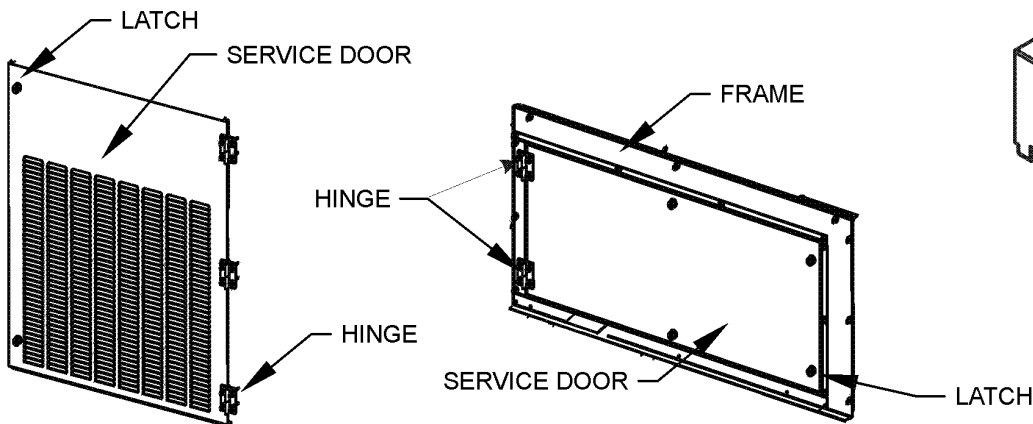
4 SMOKE DETECTORS



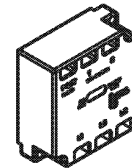
5 DDC CONTROL



6 HINGED DOOR ASSEMBLIES



7 PHASE MONITOR



Accessory List

Ref. Part No: No:	Description:	Ref. Part No: No:	Description:
-------------------	--------------	-------------------	--------------

Image 1:

NS 0121L01934	BRACKET SMOKE DETECTOR (M2)
NS D4120	SMOKE DETECTOR, PHOTO 4WIRE (M2)

Expanded Model Nomenclature

- M1 - DCH072XXX3VBXXAA
- M2 - DCH072XXX3VVXDAA
- M3 - DCH072XXX3VXXXAA
- M4 - DCH072XXX4VXXXAA
- M5 - DCH072XXX7VXXXAA