

AM11-5 Series

Description

The Clean Comfort™ AM11-5 Series of MERV 11 media air cleaners for residential applications helps remove a wide range of airborne particles as small as 0.3 micron. Types of particles removed include atmospheric and household dust, coal dust, insecticide dust, mites, pollen, mold spores, fungi, bacteria, viruses, pet dander, cooking smoke and grease and tobacco smoke.

- Helps provide relief from allergy and asthma symptoms
- Helps protect and prolong the operating efficiency of the heating and cooling equipment
- Helps prevent damaging black dust from staining walls, upholstery and window coverings, reducing the amount of time and money spent cleaning and redecorating
- Helps reduce or eliminate unpleasant odors with optional carbon filters

Standard Features

- Includes **MERV 11** media filter, rated at 492 feet/minute, removes airborne contaminants down to 0.3 micron
- Unique filter design features a structured density gradient with an electret charge for higher initial and sustained efficiency over the life of the filter
- Filter material is constructed of cellulose-free, hydrophobic polyolefin fibers that will not shred or absorb moisture
- Extra deep, 5/8 inch pleated filter with long filter life and low static pressure. Filter lasts up to one year in standard applications
- Perfect-fit filter has an exact fit with the cabinet ensuring no air bypass so all air in the return duct is treated
- Pre-assembled filter frame is made of strong beverage board. Quick and easy to change filter when needed
- Heavy-gauge, galvanized-steel cabinet and powder-coat paint finish resist corrosion and provide trouble-free installation
- Reversible air flow. Mounts in any position.
- Maintenance-free except for filter replacement
- No electrical hook-up required
- Easily upgrades to the Clean Comfort High Efficiency Electronic Air Cleaner, which is capable of removing harmful contaminants as small as 0.01 micron (1/2,540,000 of an inch)

Accessories

Activated Carbon Filters (3 per pack) help eliminate unpleasant odors. Replace every 3-6 months. For models:

Model #	Optional Activated Carbon Filter Part
AM11-1620-5 / AM11-1625-5	AEP-1156-3
AM11-2020-5 / AM11-2025-5	AEP-1856-3

MERV 11 MEDIA AIR CLEANERS

MODELS

**AM11-1620-5, AM11-1625-5
AM11-2020-5, AM11-2025-5**



Replacement Media Filters

Replacement filters are packaged 3 per box. Replace 1 to 2 times per year depending on climate, home renovations, smoking in home, or number of pets. For models:

Air Cleaner Model #	Replacement Filter Part#
AM11-1620-5	AMP-M0-1056
AM11-1625-5	AMP-M1-1056
AM11-2020-5	AMP-M2-1056
AM11-2025-5	AMP-M8-1056

Upgrade Kit to Electronic Air Cleaner

Includes Prefilters (2), Collecting Cells (2), and Power Box (1) which includes Air-Proving Switch and Contact Board

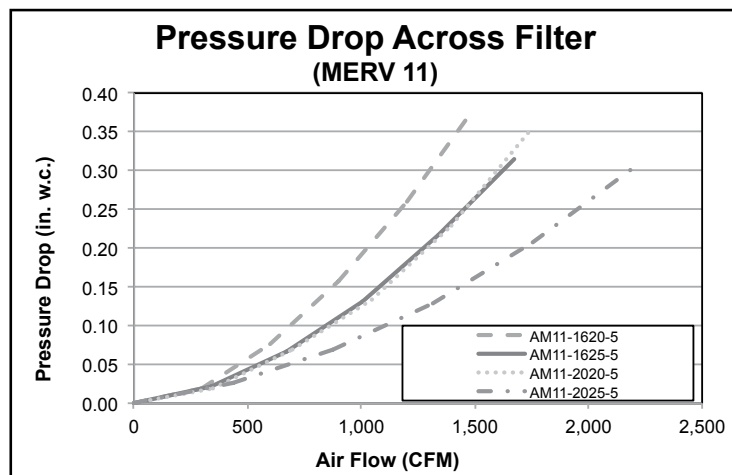
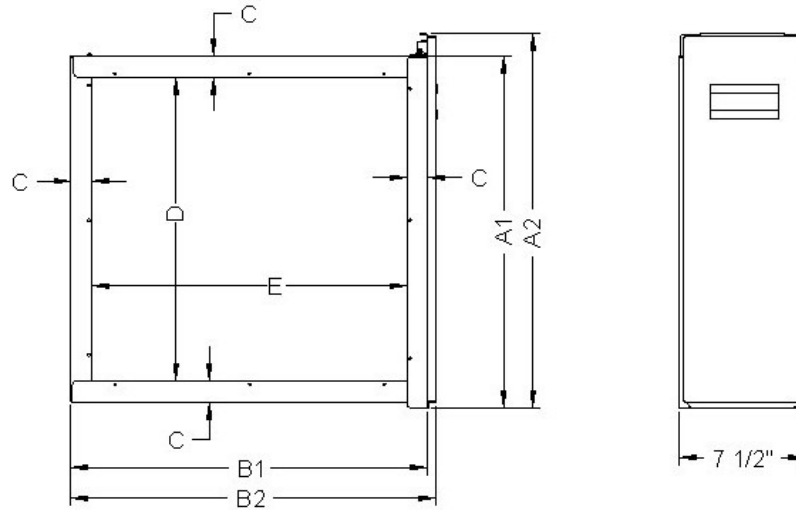
Air Cleaner Model #	Upgrades to Model:	With Upgrade Kit:
AM11-1620-5	AE14-1620-51	AEP-EACK1620A
AM11-1625-5	AE14-1625-51	AEP-EACK1625A
AM11-2020-5	AE14-2020-51	AEP-EACK2020A
AM11-2025-5	AE14-2025-51	AEP-EACK2025A



* Complete warranty details available from your local dealer or at www.cleancomfort.com



SPECIFICATIONS				
MODEL	AM11-1620-5	AM11-1625-5	AM11-2020-5	AM11-2025-5
House Size Area	Up to 2400 ft ² (223 m ²)	Up to 3000 ft ² (279 m ²)	Up to 3000 ft ² (279 m ²)	Up to 4000 ft ² (372 m ²)
Airflow	Up to 1200 CFM (2039 m ³ /hr)	Up to 1400 CFM (2379 m ³ /hr)	Up to 1400 CFM (2379 m ³ /hr)	Up to 2000 CFM (3398 m ³ /hr)
Duct Size	16 x 20 in (40.5 x 51 cm)	16 x 25 in (40.5 x 63.5 cm)	20 x 20 in (51.0 x 51.0 cm)	20 x 25 in (51.0 x 63.5 cm)
Unit Weight	17 lbs (7.7 kg)	18 lbs (8.2 kg)	19 lbs (8.6 kg)	20 lbs (9.1 kg)
Pressure Drop	.077 in. w.c. @ 246 fpm .26 in. w.c. @ 492 fpm	.066 in. w.c. @ 246 fpm .217 in. w.c. @ 492 fpm	.069 in. w.c. @ 246 fpm .230 in. w.c. @ 492 fpm	.069 in. w.c. @ 246 fpm .207 in. w.c. @ 492 fpm
MERV Rating	11	11	11	11
Options Available		AMP-G1-1056 MERV 14 Replacement Filter		AMP-G8-1056 MERV 14 Replacement Filter



DIMENSIONS - in (cm)							
MODEL	A1	A2	B1	B2	C	D	E
AM11-1620-5	15.94 (40.5)	17.41 (44.2)	23.18 (58.9)	23.7 (60.2)	1.25 (3.2)	13.12 (33.3)	20.68 (52.5)
AM11-1625-5	15.94 (40.5)	17.41 (44.2)	26.1 (66.3)	26.64 (67.7)	1.0 (2.6)	13.62 (34.6)	24.11 (61.2)
AM11-2020-5	20.83 (52.9)	22.3 (56.6)	21.2 (53.9)	21.74 (55.2)	1.25 (3.2)	18.0 (45.7)	18.71 (47.5)
AM11-2025-5	20.83 (52.9)	22.3 (56.6)	25.8 (65.5)	26.29 (66.8)	1.25 (3.2)	18.0 (45.7)	23.26 (59.1)

Daikin North America LLC reserves the right to discontinue or change at any time, specifications or designs without notice or without incurring obligations. Performance of the Air Cleaners will depend on house plan design, duct design and heating/cooling equipment.

TECHNICAL SUPPORT • 1-800-267-8305 • www.cleancomfort.com

Our continuing commitment to quality products may mean a change in specifications without notice.

© 2015 • **DAIKIN NORTH AMERICA LLC** • Houston, Texas • Printed in the USA.