

5

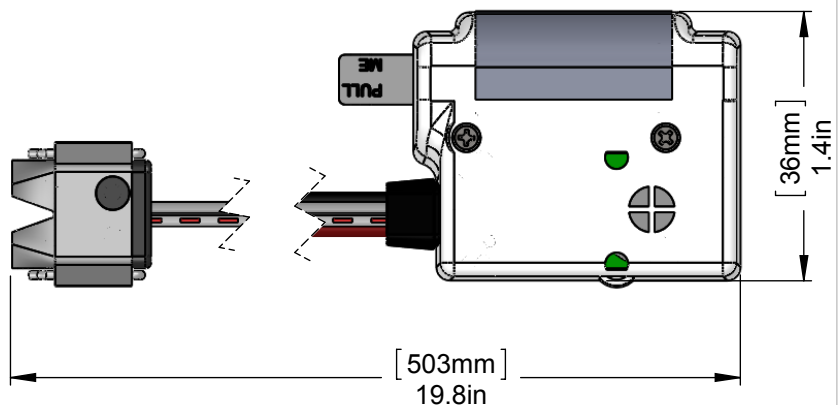
4

3

2

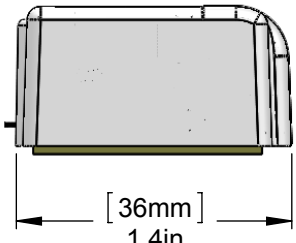
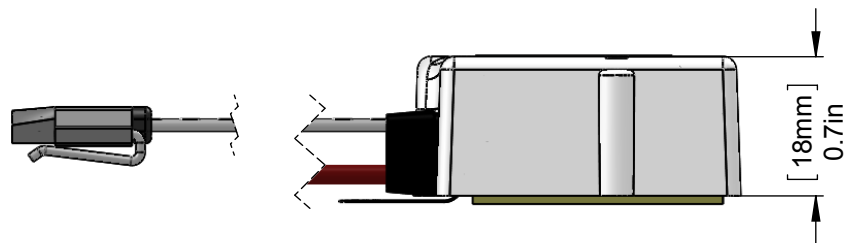
1

C



C

B



B

**NOTES:**  
CONTAINS A 3V LITHIUM BATTERY  
PLEASE DISPOSE OF PROPERLY

UNLESS OTHERWISE SPECIFIED:

DIMENSIONS ARE IN INCHES  
TOLERANCES:  
FRACTIONAL ±.032  
ANGULAR: MACH ± .5° BEND ±2°  
TWO PLACE DECIMAL ± .010  
THREE PLACE DECIMAL ± .005

INTERPRET GEOMETRIC  
TOLERANCING PER: ANSI Y14.5, 1994

ENGINEERING	NAME	DATE
DRAWN BY ENG.	DS	1/9/12
CHECKED BY ENG.	JK	1/9/12
ENG APPR.	CC	1/9/12
MFG APPR.	CC	1/9/12

**PROPRIETARY AND CONFIDENTIAL**

THE INFORMATION CONTAINED IN THIS  
DRAWING IS THE SOLE PROPERTY OF  
RESOURCE CONSERVATION  
TECHNOLOGIES, INC. ANY  
REPRODUCTION IN PART OR AS A  
WHOLE WITHOUT THE WRITTEN  
PERMISSION OF RESOURCE  
CONSERVATION TECHNOLOGIES IS  
PROHIBITED.

**RESOURCE**

CONSERVATION TECHNOLOGIES

64208 PARKLAND DRIVE SUITE 102  
SARASOTA, FL 34243 888-708-6622

TITLE:

AG-9300-U SPECIFICATION SHEET

SIZE  
**A**

SCALE: 1:1

SHEET 1 OF 1

A

5

4

3

2

1