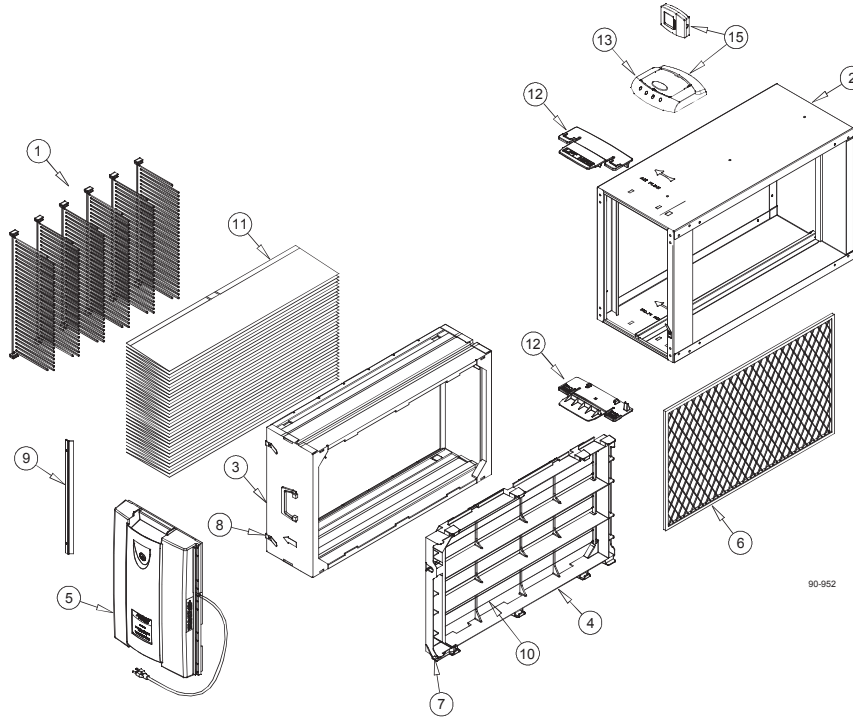


## Air Cleaners Dealer Parts List

### Aprilaire® Model 5000 Air Cleaner



NO.	PART NAME	Gray		Almond	
		QTY/CTN	Release Date May 2005 PART NO.	QTY/CTN	Release Date Prior May 2005 PART NO.
1	Pleat Spacer	6	4270	6	4270
2	Outer Housing - Almond	1	4597	1	4307
2	Outer Housing - Gray	1	4826	N/A	N/A
3	Inner Housing with Seals (Includes 6 Pleat Spacers)	1	4308	1	4308
4	Ionizer Frame Assembly	1	4598	1	4598
5	Power Pack/Door Assembly - Almond	Obsolete*		1	4310
5	PowerPack/Door Assembly - Gray (Release Date July 2008)	1	4827	N/A	N/A
6	Control Electrode	1	4311	1	4311
7	Ground Contact	1	4599	1	4599
8	Media Ground Contact	1	4313	1	4313
9	Media Ground Assembly	1	4314	1	4314
10	Ionizer Wire - Almond	3	4602	N/A	N/A
10	Ionizer Wire - Gray	N/A	N/A	3	4315
11	Media (Individually Packaged)	10	501	10	501
12	Door Latch Replacement Kit	1	5268	1	4600
13	LED Base for Air Cleaner Control	1	4830	N/A	N/A
15	Air Cleaner Control & LED Base	1	4838	N/A	N/A
<b>OTHER PARTS</b>					
	Seal Kit	1	4704	1	4704
	Air Cleaner Control	1	4829	N/A	N/A

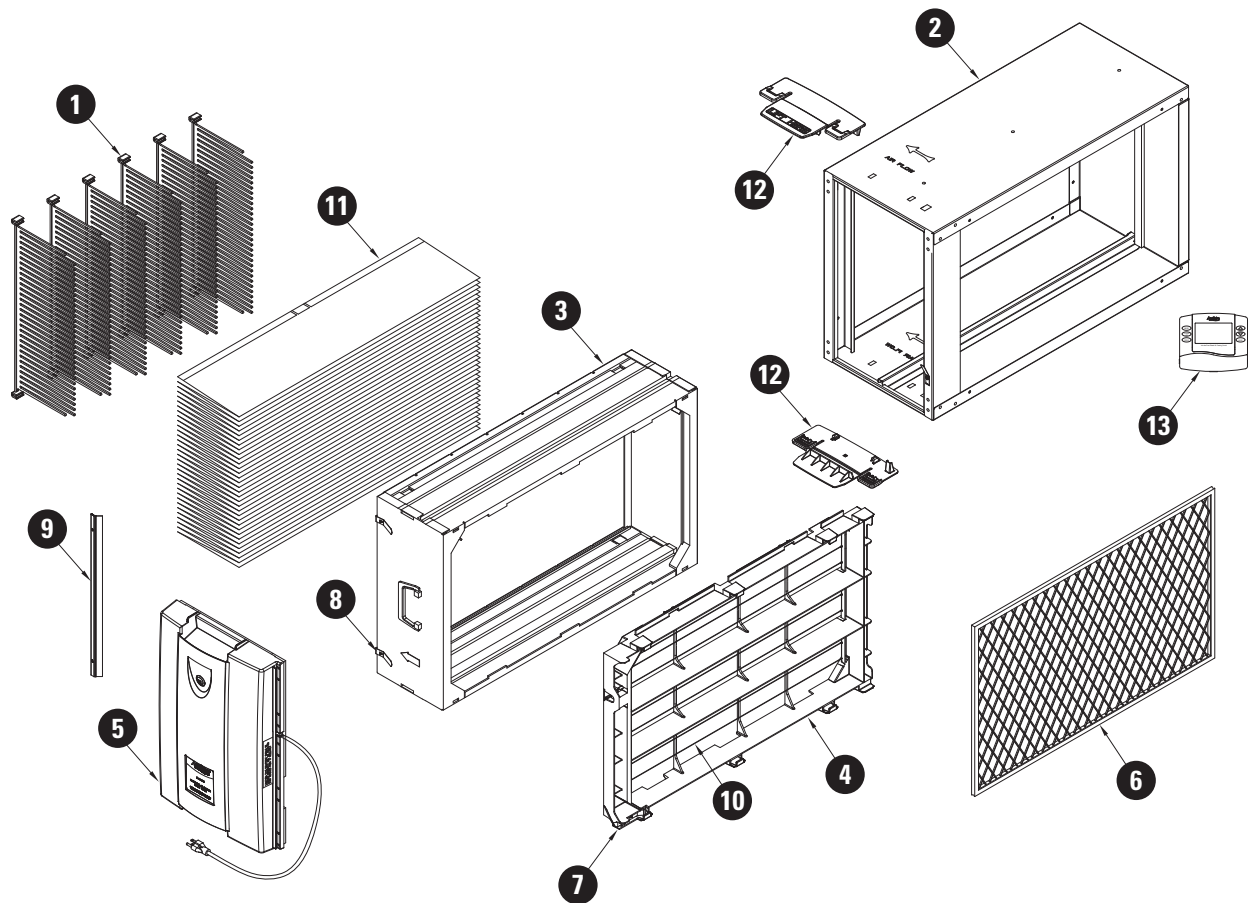
\*Replaced by Part No. 4827

We reserve the right to make modifications as deemed necessary in line with our policy to continue supplying the finest equipment available.

All prices are F.O.B. Poynette, WI and subject to change without notice.

Orders may be sent via: EDI, Fax, email (purchaseorders@aprilair.com), Mail or Phone. If EDI, call us for initial setup.

## Aprilaire® Model 5000 Air Cleaner (After April 2014)

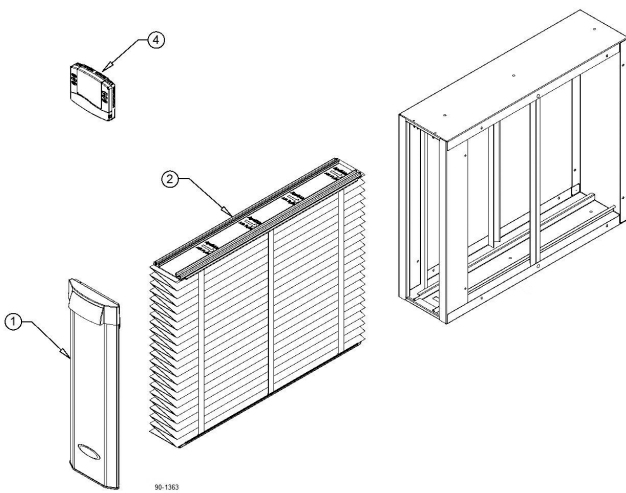


Gray			
Release Date April 2014			
NO.	PART NAME	QTY/CTN	PART NO.
1	Pleat Spacer	6	4270
2	Outer Housing - Almond	1	4597
2	Outer Housing - Gray	1	4826
3	Inner Housing with Seals (Includes 6 Pleat Spacers)	1	4308
4	Ionizer Frame Assembly	1	4598
5	Power Pack/Door Assembly - Almond		Obsolete*
5	PowerPack/Door Assembly - Gray (Release Date July 2008)	1	4827
6	Control Electrode	1	4311
7	Ground Contact	1	4599
8	Media Ground Contact	1	4313
9	Media Ground Assembly	1	4314
10	Ionizer Wire - Almond	3	4602
10	Ionizer Wire - Gray	N/A	N/A
11	Media (Individually Packaged)	10	501
12	Door Latch Replacement Kit	1	5268
13	Universal Programmable Thermostat with Event-Based Air Cleaning	10**	8476
<b>OTHER PARTS</b>			
	Seal Kit	1	4704
	Air Cleaner Control	1	4829

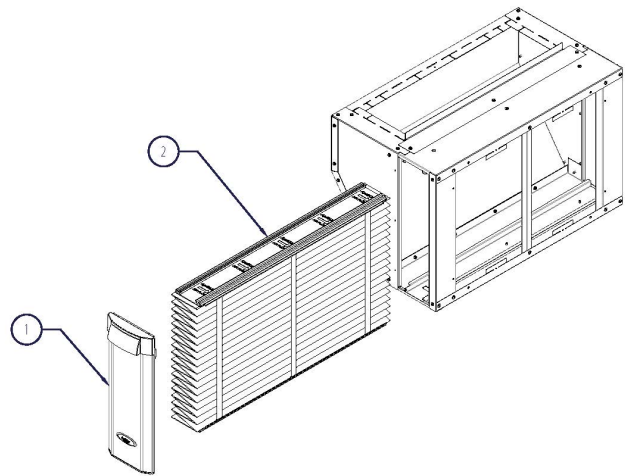
New!

\*Replaced by Part No. 4827

## Aprilaire® Series 1000, 2000 and 3000 Air Cleaner



For All Other Models



For Model 1610 Only

### Aprilaire® Model 3210/3310/3410

NO.	PART NAME	QTY/CTN	Model 3210	Model 3310	Model 3410
			PART NO.	PART NO.	PART NO.
1	Replacement Door	1	4867	4962	4868
2	Aprilaire Replacement Media - MERV 13	8	213	313	413
2	Aprilaire Replacement Media - MERV 11	8	210	310	410
4	Universal Programmable Thermostat with Event-Based Air Cleaning	10*	8476	8476	8476

\* Sold in Carton Quantities Only

### Aprilaire® Model 2210/2310/2410

NO.	PART NAME	QTY/CTN	Model 2210	Model 2310	Model 2410
			PART NO.	PART NO.	PART NO.
1	Replacement Door	1	4867	4962	4868
2	Aprilaire Replacement Media - MERV 13	8	213	313	413
2	Aprilaire Replacement Media - MERV 11	8	210	310	410

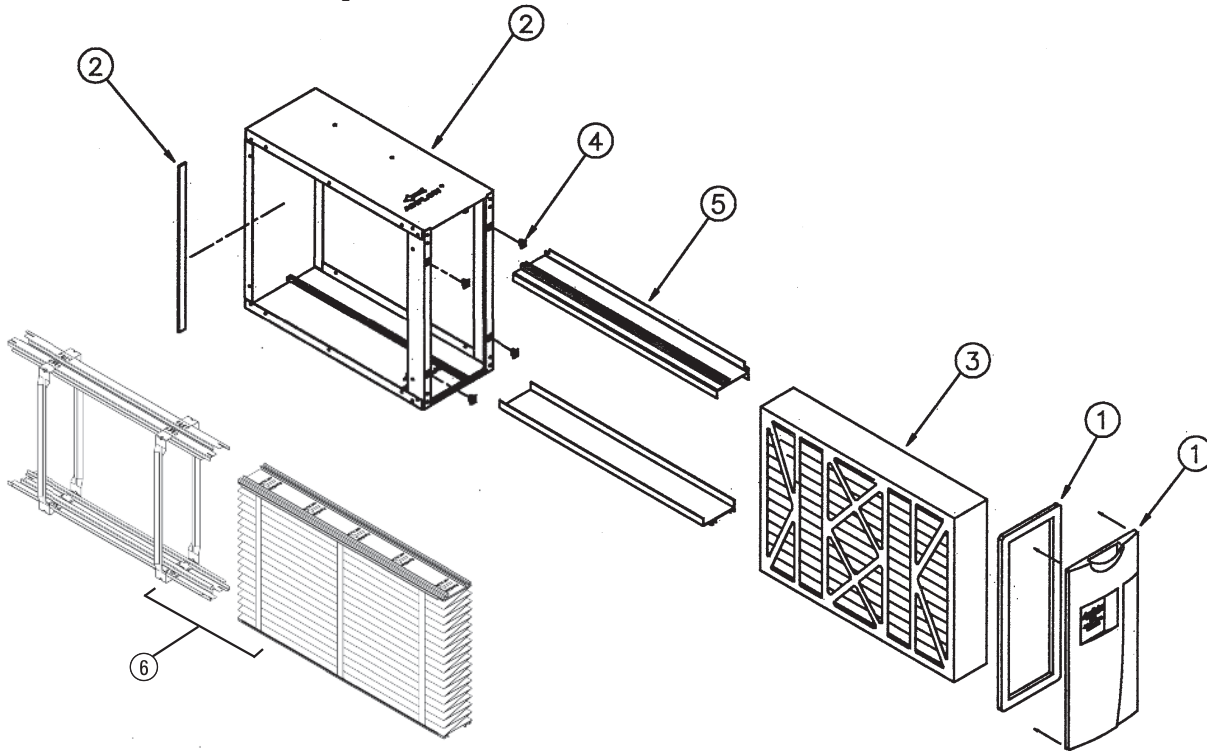
### Aprilaire® Model 1210/1310/1410/1510

NO.	PART NAME	QTY/CTN	Model 1210	Model 1310	Model 1410	Model 1510
			PART NO.	PART NO.	PART NO.	PART NO.
1	Replacement Door	1	4867	4962	4868	5424
2	Aprilaire Replacement Media - MERV 13	8	213	313	413	513
2	Aprilaire Replacement Media - MERV 11	8	210	310	410	510

### Aprilaire® Model 1610

NO.	PART NAME	QTY/CTN	Model 1610
			PART NO.
1	Replacement Door	1	4868
2	Aprilaire Replacement Media - MERV 13	8	413
2	Aprilaire Replacement Media - MERV 11	8	410

## Aprilaire® Model 2120/2140 Air Cleaner



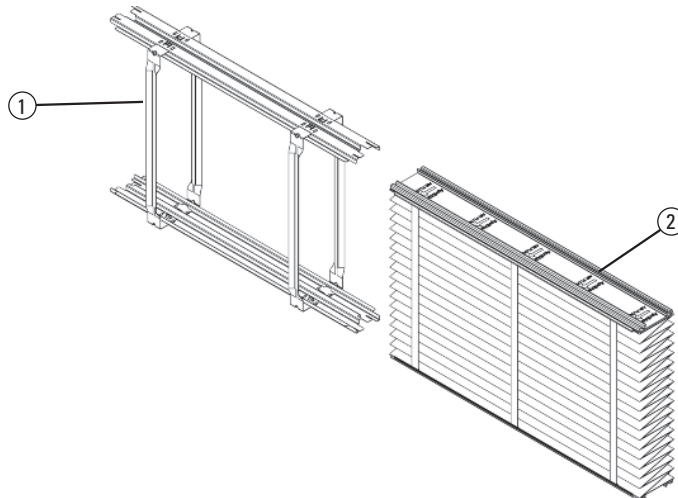
NO.	PART NAME	QTY/CTN	Model 2120	Model 2140
			PART NO.	PART NO.
1	Door	1	4623	4624 Obsolete*
2	Outer Housing	N/A	N/A	N/A
3	Filter Cartridge	5	102	104 Obsolete**
4	Latches	4	4349	4349
5	Cartridge Channels		Obsolete	4635***
6	Upgrade Kit	6	1213	1413
<b>OTHER PARTS</b>				
	Styrofoam Door Seal for Upgrade Kit 1213	20	4895	N/A
	Styrofoam Door Seal for Upgrade Kit 1413	20	N/A	4896

\*Replaced by Part No. 4347 Plastic Door w/Seal - Almond

\*\*Replaced by Part No. 1413 Upgrade Kit

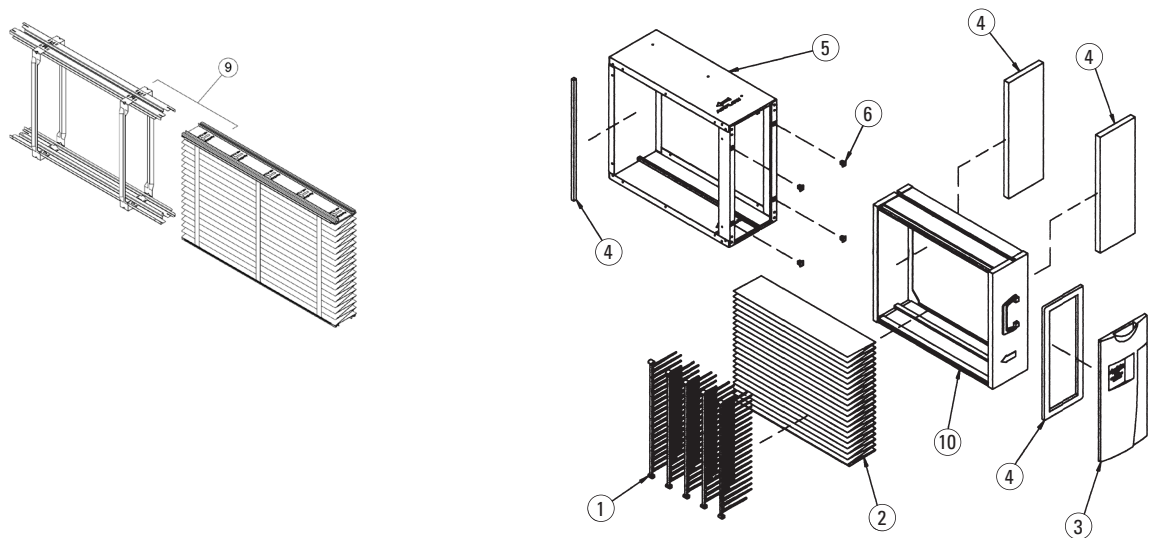
\*\*\*Each Carton

## Competitive Upgrade Kits



	PART NAME	QTY/CTN	PART NO.
1	Conversion Frame	1	4897
2	610 Media, 16" x 25" Merv 11	1	610
2	613 Media, 16" x 25" Merv 13	1	613
2	810 Media, 20" x 25" Merv 11	1	810
2	813 Media, 20" x 25" Merv 13	1	813

## Aprilaire® Model 2200/2400 Air Cleaner



## Aprilaire® Model 2200 Air Cleaner

NO.	PART NAME	Release Date May 2002		Release Date Prior May 2002	
		QTY/CTN	PART NO.	QTY/CTN	PART NO.
1	Pleat Spacer	5	4119	5	4119
2	Media	10	201	10	201
3	Plastic Door with Seal - Almond	1	4344	1	4207
	Plastic Door with Seal - Grey	1	4822	N/A	N/A
4	Seal Kit	1	4725	1	4725
5	Outer Housing	N/A	N/A	N/A	N/A
6	Latches	4	4349	N/A	N/A
<b>OTHER PARTS</b>					
9	Media Upgrade Kit	6	1213	6	1213
10	Plastic Inner Housing w/Seals (4114)	Obsolete - Please see Part No. 1213, Media Upgrade Kit			
	Door Retainer and Spacers (Screw-In)	1	4208	1	4208
	Door Retainer and Spacers (Snap-In)	N/A	N/A	1	4268
	Styrofoam Door Seal for Upgrade Kit 1213	20	4895	N/A	N/A
	Holding Brackets	2	4121	2	4121
	Seal for Metal Door	1	4210	1	4210
	Control Upgrade Kit	1	4838	1	4838

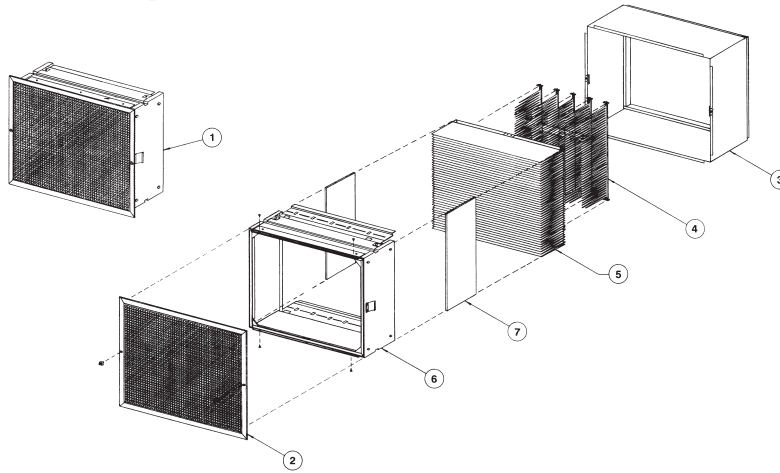
*\*Aprilaire suggests upgrading to Part No. 1213 Upgrade Kit to replace pleat spacer for ultimate performance of Model 2200.*

## Aprilaire® Model 2400 Air Cleaner

NO.	PART NAME	Release Date May 2002		Release Date Prior May 2002	
		QTY/CTN	PART NO.	QTY/CTN	PART NO.
1	Pleat Spacer	6 pak	4270	6	4270
2	Media	10	401	10	401
3	Plastic Door with Seal - Almond	1	4347	1	4271
	Plastic Door with Seal - Grey	1	4824	N/A	N/A
4	Seal Kit	1	4724	1	4724
5	Outer Housing	N/A	N/A	N/A	N/A
6	Latches	4	4349	N/A	N/A
<b>OTHER PARTS</b>					
9	Media Upgrade Kit	6	1413	6	1413
10	Plastic Inner Housing w/Seals (4272)	Obsolete - Please see Part No. 1413, Media Upgrade Kit			
	Styrofoam Door Seal for Upgrade Kit 1413	20	4896	N/A	N/A
	Control Upgrade Kit	1	4838	1	4838

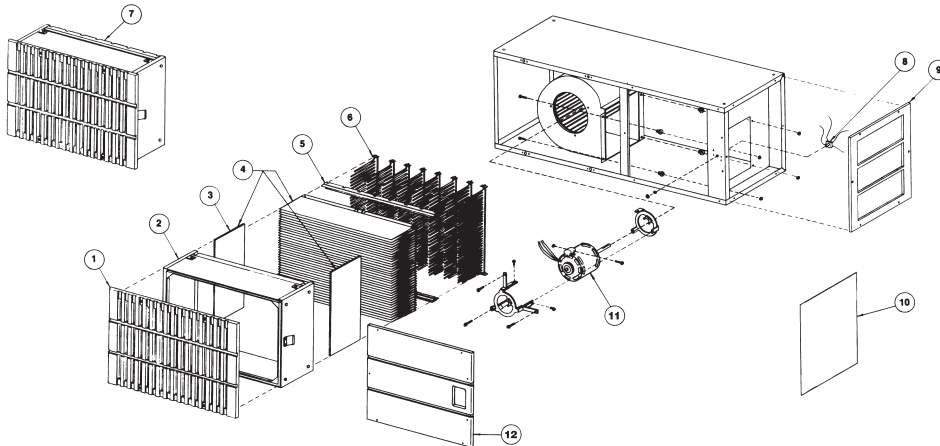
*\*Aprilaire suggests upgrading to Part No. 1413 Upgrade Kit to replace pleat spacer for ultimate performance of Model 2400.*

## Aprilaire® Model 2250 Air Cleaner



NO.	PART NAME	QTY/CTN	PART NO.
1	Complete Grille Assembly	1	4130
2	Grille	1	4132
3	Rough-In-Box	1	4133
4	Pleat Spacers**	5	4119
5	Media	10	201
6	Housing Without Grille (Includes 5 Pleat Spacers)	1	4131
7	Inner Housing Seal Kit	1	4168
<b>OTHER PARTS</b>			
	Holding Brackets	2	4121

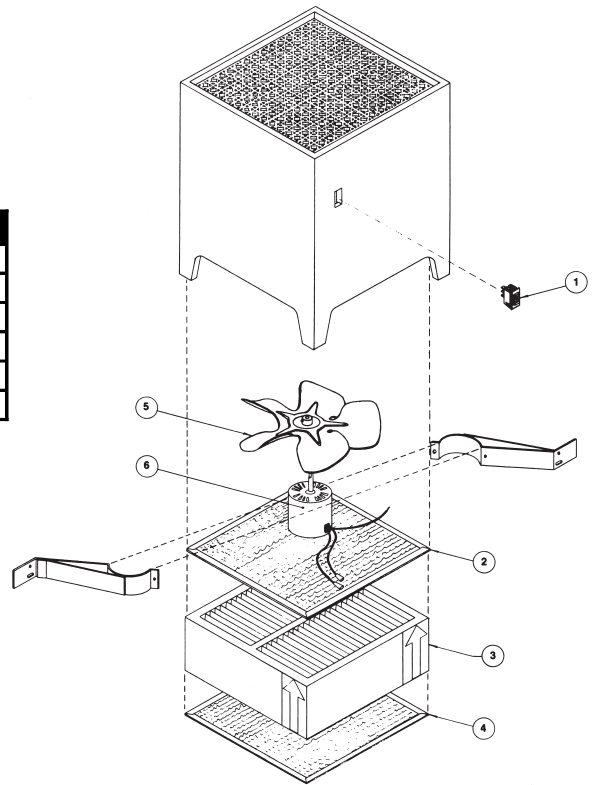
## Aprilaire® Model 2600 Air Cleaner



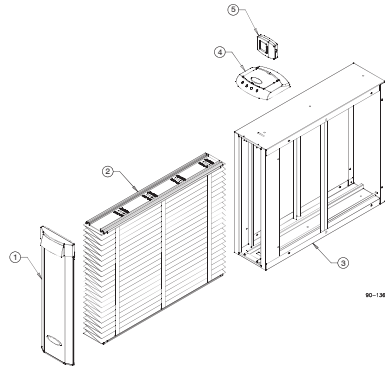
NO.	PART NAME	QTY/CTN	PART NO.
1	Grille Without Housing	1	4145
2	Inner Housing With Seals	1	4177
3	Inner Housing Seals	2	4168
4	Media and 2 Seals	10	261
5	Holding Brackets	2	4125
6	Pleat Spacers**	4	4120
7	Inlet Cover Assembly	1	4135
8	Master Switch	1	4134
9	Outlet Frame Assembly	1	4169
10	Grille Cloth Only	1	4158
11	Motor	1	4138
12	Motor Access Door	1	4178

## Aprilaire® Model 2275 Air Cleaner

NO.	PART NAME	QTY/CTN	PART NO.
1	Switch	1	4172
2	Safety Screen	1	4175
3	Media	10	275
4	Pre-Filter	1	4176
5	Fan Blade	1	4173
6	Motor	1	4174



## Aprilaire® Model 4200, 4300, 4400 Air Cleaner



90-1363

NO.	PART NAME	QTY/CTN	Model 4200	Model 4300	Model 4400
			PART NO.	PART NO.	PART NO.
1	Replacement Door	1	4867	4962	4868
2	Aprilaire Replacement Media - MERV 13	8	213	313	413
2	Aprilaire Replacement Media - MERV 11	8	210	310	410
3	Replacement Housing	1	4834	4965	4835
4	LED Base for Air Cleaner Control	1	4830	4830	4830
5	Air Cleaner Control	1	4829	4829	4829
4&5	Air Cleaner, Control & LED Base	1	4838	4838	4838

We reserve the right to make modifications as deemed necessary in line with our policy to continue supplying the finest equipment available.  
 All prices are F.O.B. Poynette, WI and subject to change without notice  
 Orders may be sent via: EDI, Fax, Mail or Phone. If EDI, call us for initial setup

Aprilaire  
 P.O. Box 1467  
 Madison, WI 53701-1467  
 Phone: 800.334.6011 Fax: 608.257.4357