

PTC093G Package Terminal Air Conditioner

PTC093G00AXXXBA
PTC093G00HQXXBA
PTC093G00HRXXBA
PTC093G00HVXXBA
PTC093G00HXXBA
PTC093G00RXXBA
PTC093G15AXXXBA
PTC093G25AXXXBA
PTC093G25CXXBA
PTC093G25QXXBA
PTC093G25RXXBA
PTC093G25VXXBA
PTC093G35AXXXBA
PTC093G35CQXXBA
PTC093G35CRXXBA
PTC093G35CXXBA
PTC093G35DXXBA
PTC093G35QXXBA
PTC093G35RVXXBA
PTC093G35RXXBA
PTC093G35VXXBA
PTC093G50AXXXBA
PTC093G50CXXBA
PTC093G50RXXBA
PTC093G50VXXBA



Amana[®] is a registered trademark of Maytag Corporation or its related companies and is used under license. All rights reserved.

This manual is to be used by qualified technicians only.

This manual replaces RP-864G.

© 2015 - 2017 Goodman Company, L.P. ♦ 5151 San Felipe St, Suite 500 ♦ Houston, TX 77056

Important Information

Index

Functional Parts List	3
Illustration and Parts	4 - 13

Views shown are for parts illustrations only, not servicing procedures.

Text Codes:

AR - As Required

NA - Not Available

NS - Not Shown

00000000 - See Note

QTY - Quantity Example (QTY 3) (If Quantity not shown, Quantity = 1)

M - Model Example (M1) (If M Code not shown, then part is used on all Models)

Expanded Model Nomenclature:

Example M1 - Model#1 M2 - Model#2 M3 - Model#3

Goodman Company, L.P. is not responsible for personal injury or property damage resulting from improper service. Review all service information before beginning repairs.

Warranty service must be performed by an authorized technician, using authorized factory parts. If service is required after the warranty expires, Goodman Company, L.P. also recommends contacting an authorized technician and using authorized factory parts.

Goodman Company, L.P. reserves the right to discontinue, or change at any time, specifications or designs without notice or without incurring obligations.

For assistance within the U.S.A. contact:

Homeowner Support
Goodman Company, L.P.
19001 Kermier Road
Waller, Texas 77484
877-254-4729-Telephone
713-863-2382-Facsimile

For assistance outside the U.S.A. contact:

International Division
Goodman Company, L.P.
19001 Kermier Road
Waller, Texas 77484
713-861-2500-Telephone
713-863-2382-Facsimile

Functional Parts

Part No: **Description:**

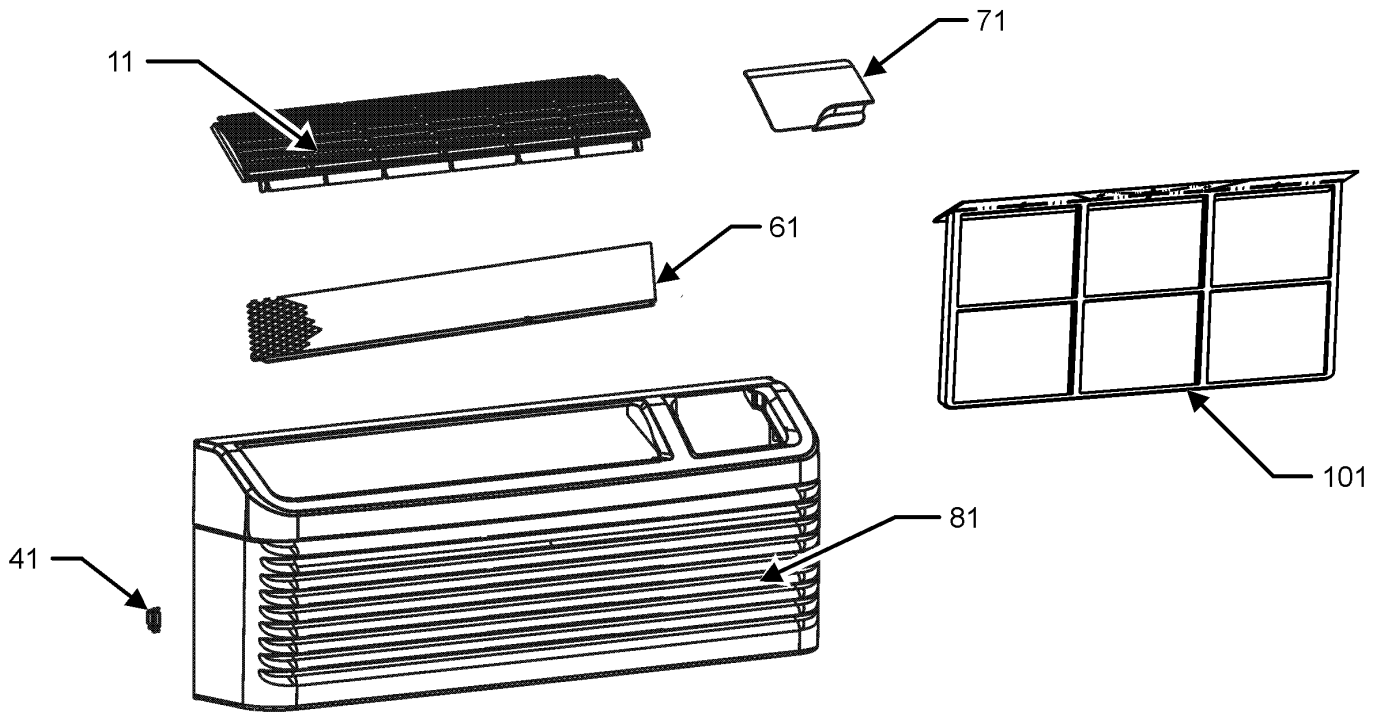
CAP020250450CS	CAPACITOR 2/25/450V/DUAL RD
CAP020000440RP	CAPACITOR 2/440V
44A202A	COMPRESSOR, RECHI
RSKP0012	CONTROL BOARD M70
RSKP0015	CONTROL PANEL COVER AND MEMBRANE
0130P00112	CORD,250VAC,15A (LCD) (M1, M2, M3, M4, M5, M6, M7, M8, M9, M10, M11, M12)
0130P00115	CORD,250VAC,20A (LCD) (M13, M14, M15, M16, M17, M18, M19, M20, M21)
0130P00118	CORD,250VAC,30A (LCD) (M22, M23, M24, M25)
0131P00036	FAN MOTOR, INDOOR (M2, M3, M4, M5, M22, M23, M24, M25)
0131P00035	FAN MOTOR, INDOOR (M1, M6, M7, M8, M9, M10, M11, M12, M13, M14, M15, M16, M17, M18, M19, M20, M21)
0131P00033	FAN MOTOR, OUTDOOR
0161P00055	FAN, CONDENSER
0275P00039	HEATER ASSY (M22, M23, M24, M25)
0275P00038	HEATER ASSY (M13, M14, M15, M16, M17, M18, M19, M20, M21)
0275P00022	HEATER ASSY (M7)
0275P00019	HEATER ASSY (M8, M9, M10, M11, M12)
60343539	OVERLOAD PROTECTOR
PCBCP140	PCB, CONTROL, D70 (M4, M12, M17, M19, M21, M25)
0130P00137	POWER VENT MOTOR (M4, M12, M17, M19, M21, M25)
0130M00181	SPDT RELAY (M2, M3, M4, M5)
0130M00169	SWITCH, HIGH PRESS
802007090	TERMINAL BOARD
0130P00073	THERMISTOR
0130P00094	THERMISTOR (M3, M6, M11, M15, M19, M20, M24)
0130P00134	THERMISTOR - DISCHARGE
0130P00077	THERMISTOR - INDOOR (M3, M6, M11, M15, M19, M20, M24)
0130P00084	THERMISTOR - INDOOR COIL
0130P00098	THERMISTOR - OUTDOOR AMBIENT (M3, M6, M11, M15, M19, M20, M24)
0130M00329	TRANSFORMER 20VA 60HZ (M1, M6, M7, M8, M9, M10, M11, M12, M13, M14, M15, M16, M17, M18, M19, M20, M21, M22, M23, M24, M25)
0130M00149	TRANSFORMER 240V/208V TO 24V, 40VA (M2, M3, M4, M5, M12, M17, M19, M21, M25)

Expanded Model Nomenclature

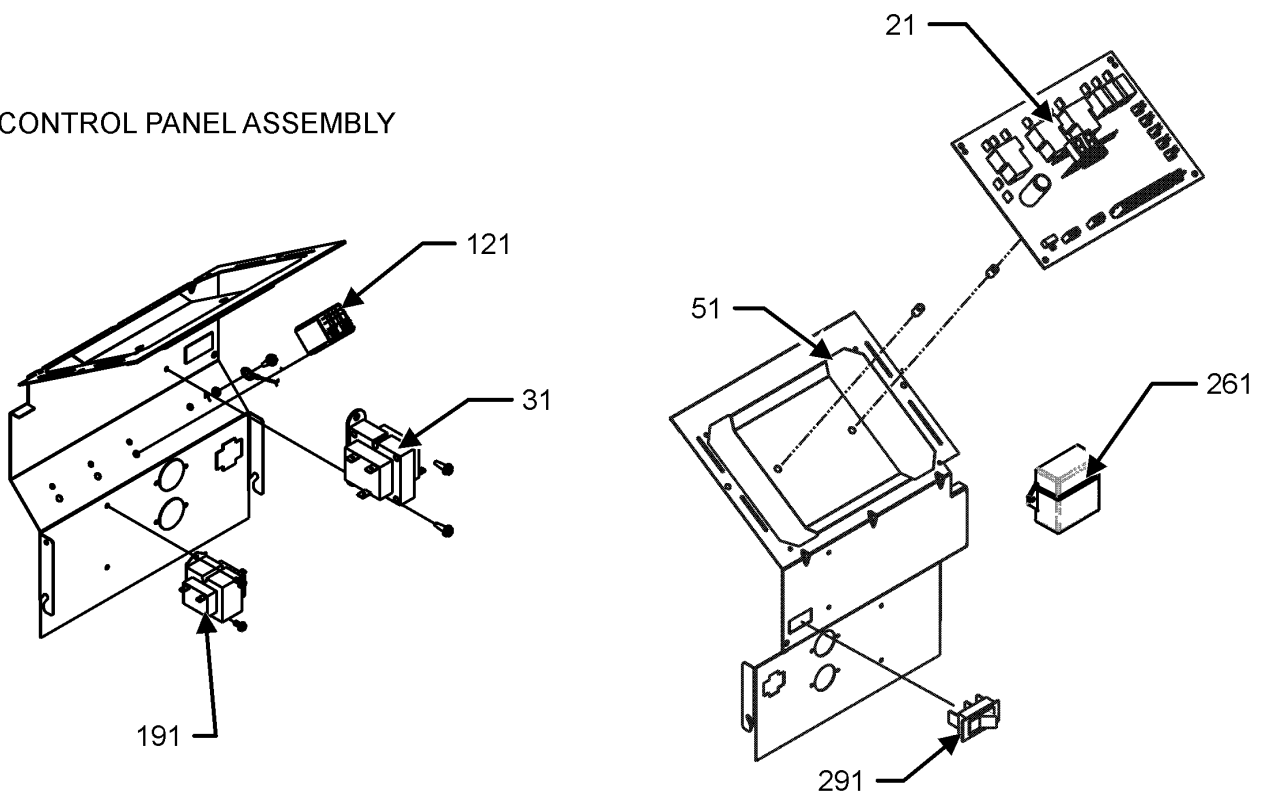
M1 - PTC093G00AXXXBA
M2 - PTC093G00HQXXBA
M3 - PTC093G00HRXXBA
M4 - PTC093G00HVXXBA
M5 - PTC093G00HXXBA
M6 - PTC093G00RXXBA
M7 - PTC093G15AXXXBA
M8 - PTC093G25AXXXBA
M9 - PTC093G25CXXBA
M10 - PTC093G25QXXBA
M11 - PTC093G25RXXBA
M12 - PTC093G25VXXBA
M13 - PTC093G35AXXXBA
M14 - PTC093G35CQXXBA
M15 - PTC093G35CRXXBA
M16 - PTC093G35CXXBA
M17 - PTC093G35DXXBA
M18 - PTC093G35QXXBA
M19 - PTC093G35RVXXBA
M20 - PTC093G35RXXBA
M21 - PTC093G35VXXBA
M22 - PTC093G50AXXXBA
M23 - PTC093G50CXXBA
M24 - PTC093G50RXXBA
M25 - PTC093G50VXXBA

Control Panel / Front Assembly

FRONT PANEL ASSEMBLY



CONTROL PANEL ASSEMBLY

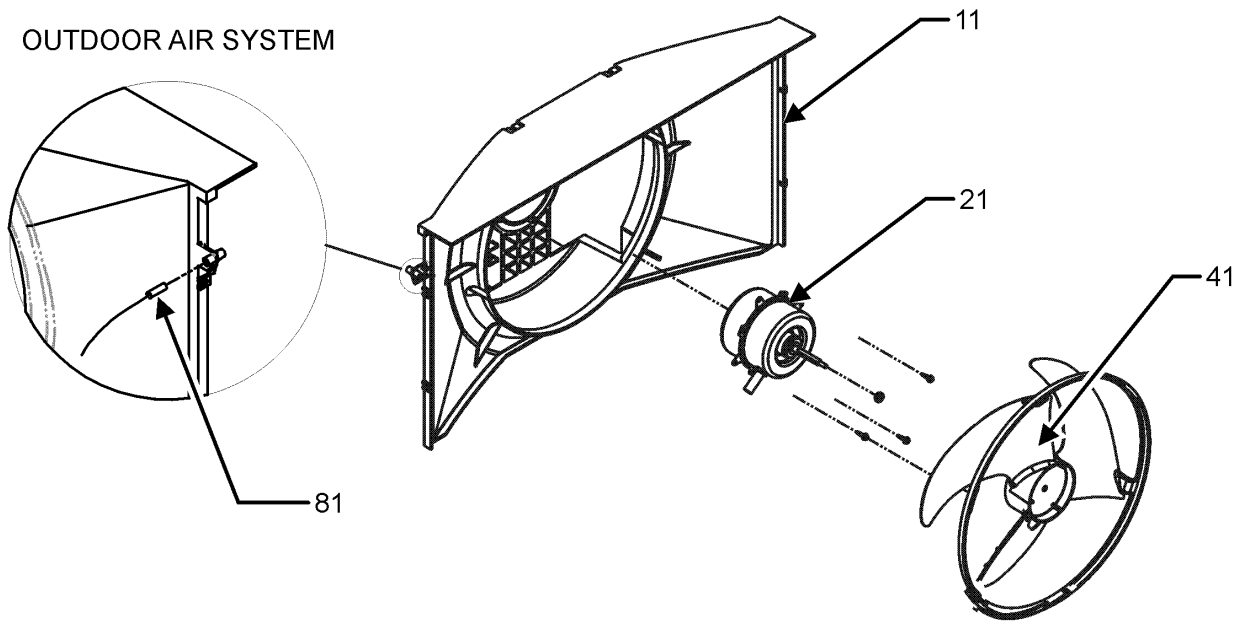


Control Panel / Front Assembly

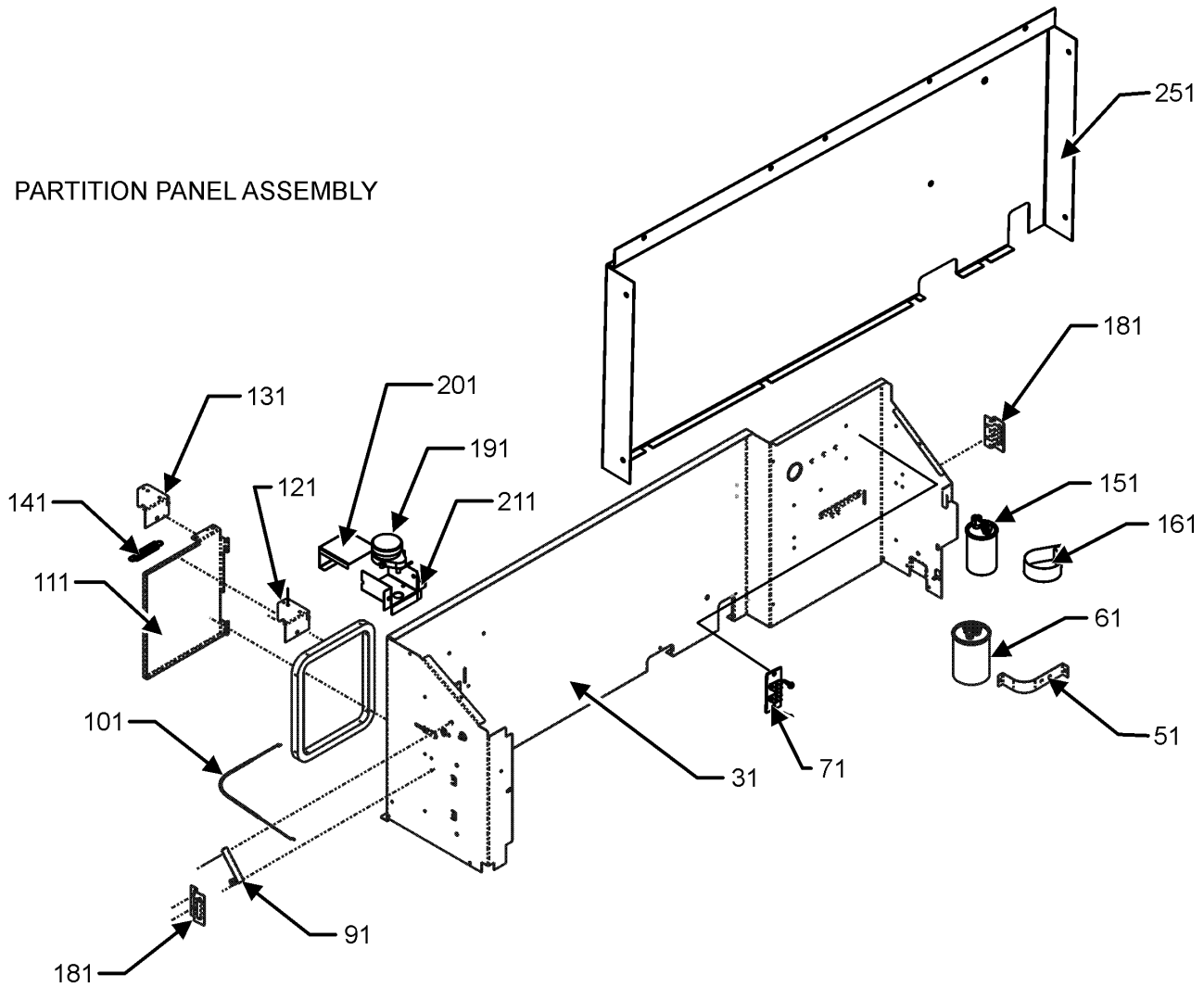
Ref. Part No: No:	Description:	Ref. Part No: No:	Description:
Image 1:		Expanded Model Nomenclature	
11	0161P00048 FRONT, LOUVERS DISCHARGE (M1, M6, M7, M8, M9, M10, M11, M12, M13, M14, M15, M16, M17, M18, M19, M20, M21, M22, M23, M24, M25)	M1 - PTC093G00AXXXBA	
21	RSKP0012 CONTROL BOARD M70	M2 - PTC093G00HQXXBA	
31	0130M00329 TRANSFORMER 20VA 60HZ (M1, M6, M7, M8, M9, M10, M11, M12, M13, M14, M15, M16, M17, M18, M19, M20, M21, M22, M23, M24, M25)	M3 - PTC093G00HRXXBA	
41	0163P00025 CLIP (M1, M6, M7, M8, M9, M10, M11, M12, M13, M14, M15, M16, M17, M18, M19, M20, M21, M22, M23, M24, M25)	M4 - PTC093G00HVXXBA	
51	0121P00130 PANEL, CONTROL	M5 - PTC093G00HXXXBA	
61	0121P00073 SCREEN, DISCHARGE (M1, M6, M7, M8, M9, M10, M11, M12, M13, M14, M15, M16, M17, M18, M19, M20, M21, M22, M23, M24, M25)	M6 - PTC093G00RXXXBA	
71	0261P00003 DOOR ASSY -AMANA- (M1, M6, M7, M8, M9, M10, M11, M12, M13, M14, M15, M16, M17, M18, M19, M20, M21, M22, M23, M24, M25)	M7 - PTC093G15AXXXBA	
81	0261P00011 FRONT ASSY (M1, M6, M7, M8, M9, M10, M11, M12, M13, M14, M15, M16, M17, M18, M19, M20, M21, M22, M23, M24, M25)	M8 - PTC093G25AXXXBA	
101	0161P00035 FILTER, RACK (M1, M6, M7, M8, M9, M10, M11, M12, M13, M14, M15, M16, M17, M18, M19, M20, M21, M22, M23, M24, M25)	M9 - PTC093G25CXXXBA	
121	0130M00181 SPDT RELAY (M2, M3, M4, M5)	M10 - PTC093G25QXXXBA	
191	0130M00149 TRANSFORMER 240V/208V TO 24V, 40VA (M2, M3, M4, M5, M12, M17, M19, M21, M25)	M11 - PTC093G25RXXXBA	
261	0130P00104 ANTENNA (DIGITENNA) (M3, M6, M11, M15, M19, M20, M24)	M12 - PTC093G25VXXXBA	
291	B1337701 PADDLE SWITCH (M4, M12, M17, M19, M21, M25)	M13 - PTC093G35AXXXBA	
NS	PCBCP140 PCB, CONTROL, D70 (M4, M12, M17, M19, M21, M25)	M14 - PTC093G35CQXXBA	
		M15 - PTC093G35CRXXBA	
		M16 - PTC093G35CXXXBA	
		M17 - PTC093G35DXXXBA	
		M18 - PTC093G35QXXXBA	
		M19 - PTC093G35RVXXBA	
		M20 - PTC093G35RXXXBA	
		M21 - PTC093G35VXXXBA	
		M22 - PTC093G50AXXXBA	
		M23 - PTC093G50CXXXBA	
		M24 - PTC093G50RXXXBA	
		M25 - PTC093G50VXXXBA	

Condenser Fan / Partition Assembly

OUTDOOR AIR SYSTEM



PARTITION PANEL ASSEMBLY

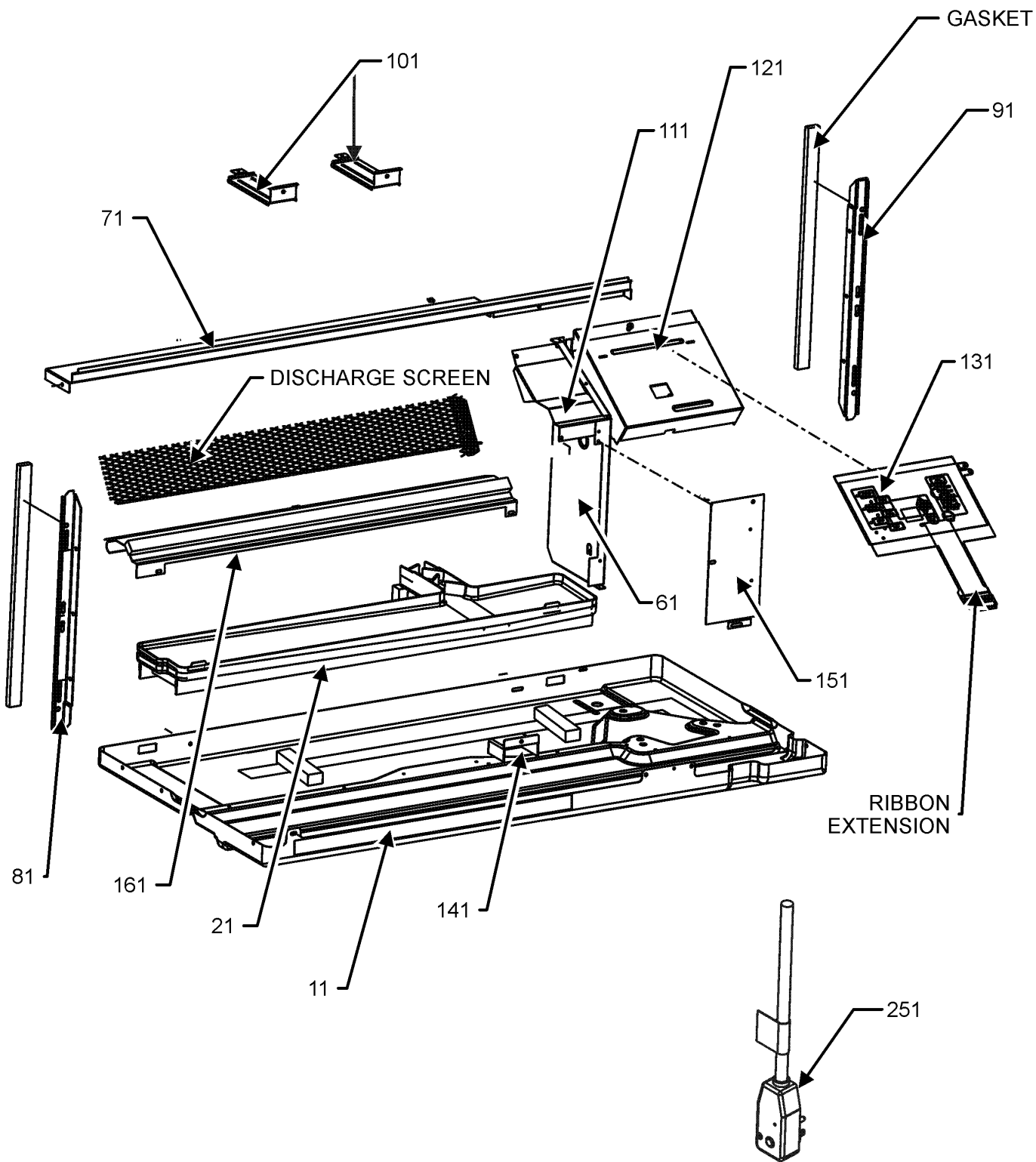


Condenser Fan / Partition Assembly

Ref. Part No: No:	Description:	Ref. Part No: No:	Description:
<i>Image 1:</i>		Expanded Model Nomenclature	
11	0161P00053 SHROUD, CONDENSER	M1	- PTC093G00AXXXBA
21	0131P00033 FAN MOTOR, OUTDOOR	M2	- PTC093G00HQXXBA
31	0121P00093NG PANEL-PARTITION (M2, M10, M14, M18)	M3	- PTC093G00HRXXBA
31	0121P00108NG PANEL-PARTITION (M1, M3, M4, M5, M6, M7, M8, M9, M11, M12, M13, M15, M16, M17, M19, M21, M22, M23, M24, M25)	M4	- PTC093G00HVXXBA
41	0161P00055 FAN, CONDENSER	M5	- PTC093G00HXXXBA
51	C6300502 CAPACITOR STRAP	M6	- PTC093G00RXXXBA
61	CAP020250450CS CAPACITOR 2/25/450V/DUAL RD	M7	- PTC093G15AXXXBA
71	802007090 TERMINAL BOARD	M8	- PTC093G25AXXXBA
81	0130P00098 THERMISTOR - OUTDOOR AMBIENT (M3, M6, M11, M15, M19, M20, M24)	M9	- PTC093G25CXXXBA
91	11046302 LEVER ARM (M1, M3, M5, M6, M7, M8, M9, M11, M13, M15, M16, M20, M22, M23, M24)	M10	- PTC093G25QXXXBA
101	0163P00019 CABLE	M11	- PTC093G25RXXXBA
111	0121P00177NG DOOR - PNT VENT PTC (M1, M3, M4, M5, M6, M7, M8, M9, M11, M12, M13, M15, M16, M17, M19, M20, M21, M22, M23, M24, M25)	M12	- PTC093G25VXXXBA
121	0121P00079 BRACKET, VENT DOOR (M4, M12, M17, M19, M21, M25)	M13	- PTC093G35AXXXBA
121	0121P00072NG BRACKET, VENT DOOR-C (M1, M3, M5, M6, M7, M8, M9, M11, M13, M15, M16, M20, M22, M23, M24)	M14	- PTC093G35CQXXBA
131	0121P00180 BRACKET, POWER VENT (M4, M12, M17, M19, M21, M25)	M15	- PTC093G35CRXXBA
141	11166401 EXTENSION SPRING (M4, M12, M17, M19, M21, M25)	M16	- PTC093G35CXXXBA
151	CAP020000440RP CAPACITOR 2/440V	M17	- PTC093G35DXXXBA
161	0163P00029 CAPACITOR CLAMP	M18	- PTC093G35QXXXBA
181	11191703 PARTITION PANEL BRACKET (M1, M6, M7, M8, M9, M10, M11, M12, M13, M14, M15, M16, M17, M18, M19, M20, M21, M22, M23, M24, M25)	M19	- PTC093G35RVXXBA
191	0130P00137 POWER VENT MOTOR (M4, M12, M17, M19, M21, M25)	M20	- PTC093G35RXXXBA
201	11166201 POWER VENT COVER BRACKET (M4, M12, M17, M19, M21, M25)	M21	- PTC093G35VXXXBA
211	11166101 POWER VENT MOTOR BRACKET (M4, M12, M17, M19, M21, M25)	M22	- PTC093G50AXXXBA
251	0121P00091NG PANEL-AUXILLIARY (M2, M10, M14, M18)	M23	- PTC093G50CXXXBA
		M24	- PTC093G50RXXXBA
		M25	- PTC093G50VXXXBA

Partition Assembly

BASE PAN ASSEMBLY



Partition Assembly

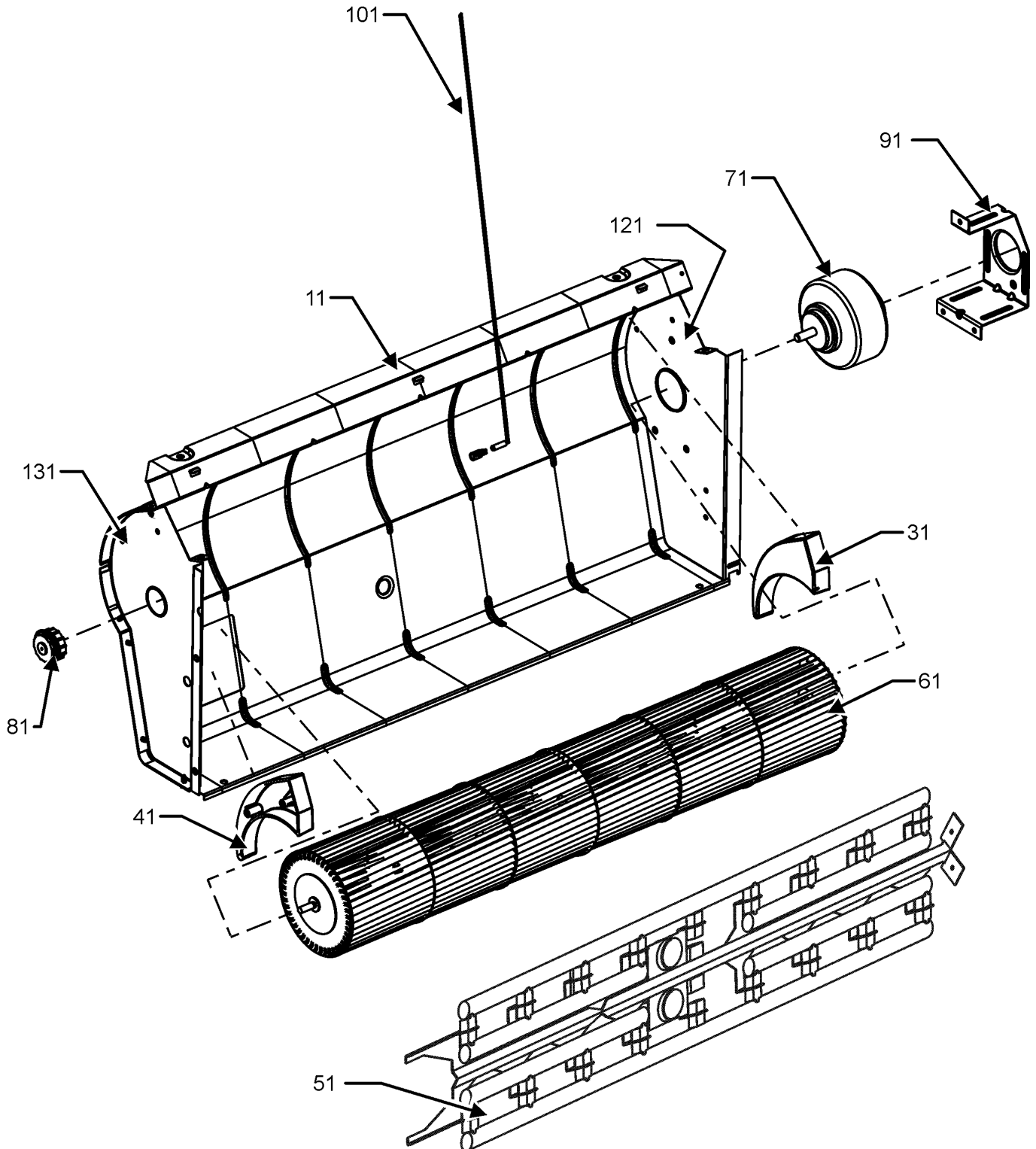
Ref. Part No:	No:	Description:	Ref. Part No:	No:	Description:
Image 1:					
11	0121P00175DG	BASE PAN (M1, M2, M3, M4, M5, M6, M7, M8, M10, M11, M12, M13, M17, M18, M19, M20, M21, M22, M24, M25)			
11	0121P00175NG	BASE PAN (M9, M14, M15, M16, M23)			
21	0161P00044	PLASTIC-DRAIN PAN			
61	20403301	MID PARTITION PANEL			
71	0121P00063NG	TOP, PARTITION PANEL			
81	0121P00197	SEAL-L SIDE PTC			
91	0121P00198	SEAL-R SIDE PTC			
101	0121P00071NG	BRACE, TIE (QTY 2)			
111	0121P00070DG	COVER, MOTOR			
121	0121P00129	COVER-CONTROL PANEL			
131	RSKP0015	CONTROL PANEL COVER AND MEMBRANE			
141	0161P00016	PLASTIC-HOOD (M1, M3, M4, M5, M6, M7, M8, M9, M11, M12, M13, M15, M16, M17, M19, M20, M21, M22, M23, M24, M25)			
151	20410801	ACCESS COVER			
161	0121P00061DG	CUTOFF-SCROLL DG			
251	0130P00112	CORD,250VAC,15A (LCD) (M1, M2, M3, M4, M5, M6, M7, M8, M9, M10, M11, M12)			
251	0130P00115	CORD,250VAC,20A (LCD) (M13, M14, M15, M16, M17, M18, M19, M20, M21)			
251	0130P00118	CORD,250VAC,30A (LCD) (M22, M23, M24, M25)			
NS	0130P00109	MEMBRANE (CONTROL)			

Expanded Model Nomenclature

M1 - PTC093G00AXXXBA
M2 - PTC093G00HQXXBA
M3 - PTC093G00HRXXBA
M4 - PTC093G00HVXXBA
M5 - PTC093G00HXXXBA
M6 - PTC093G00RXXXBA
M7 - PTC093G15AXXXBA
M8 - PTC093G25AXXXBA
M9 - PTC093G25CXXXBA
M10 - PTC093G25QXXXBA
M11 - PTC093G25RXXXBA
M12 - PTC093G25VXXXBA
M13 - PTC093G35AXXXBA
M14 - PTC093G35CQXXBA
M15 - PTC093G35CRXXBA
M16 - PTC093G35CXXXBA
M17 - PTC093G35DXXXBA
M18 - PTC093G35QXXXBA
M19 - PTC093G35RVXXBA
M20 - PTC093G35RXXXBA
M21 - PTC093G35VXXXBA
M22 - PTC093G50AXXXBA
M23 - PTC093G50CXXXBA
M24 - PTC093G50RXXXBA
M25 - PTC093G50VXXXBA

Evaporator Blower / Heater Assembly

INDOOR BLOWER ASSEMBLY



Evaporator Blower / Heater Assembly

Ref. Part No:	Part No:	Description:	Ref. Part No:	Part No:	Description:
---------------	----------	--------------	---------------	----------	--------------

Image 1:

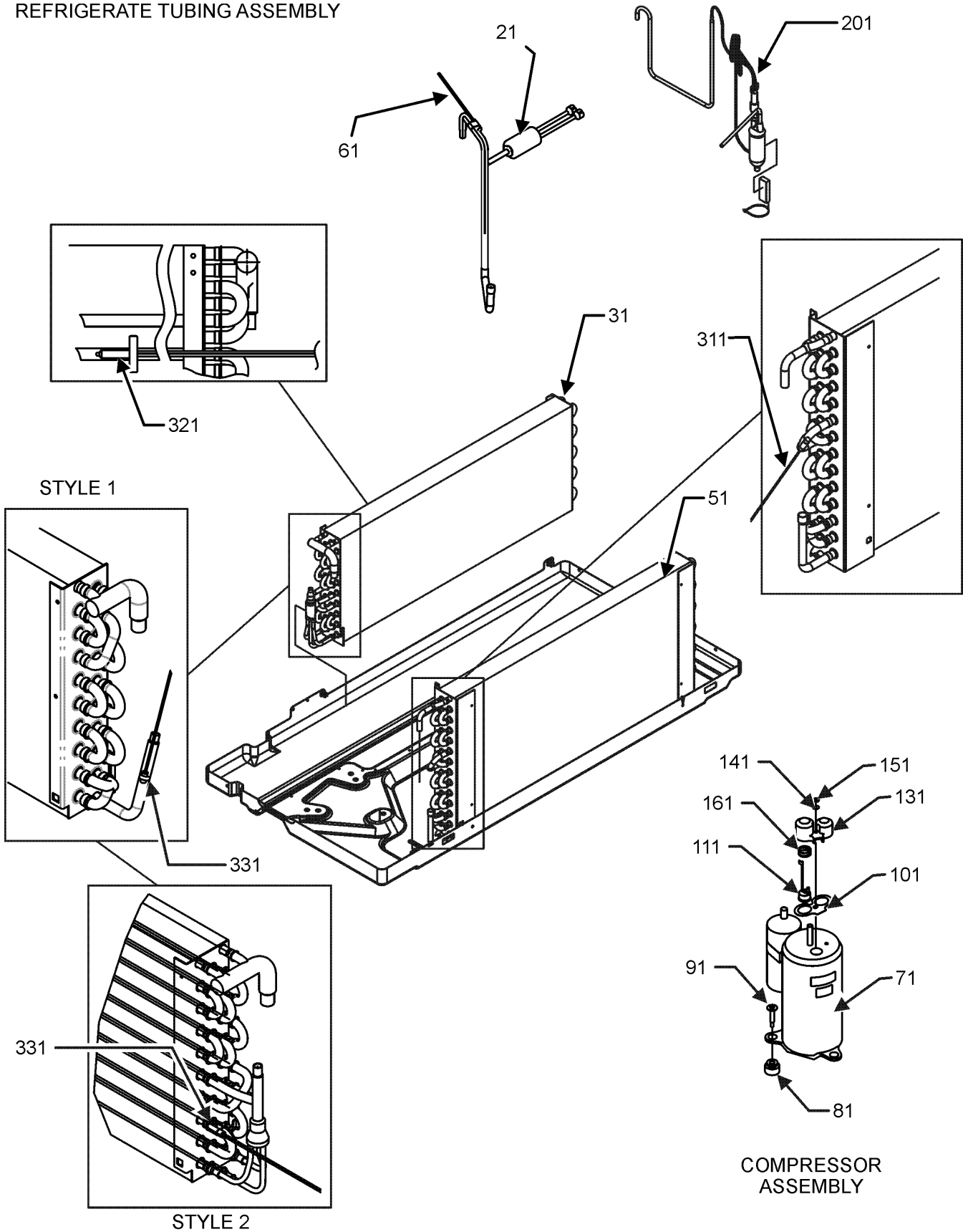
11	0121P00173DG	SCROLL			
31	0161P00021	END CAP, RIGHT			
41	0161P00022	END CAP, LEFT			
51	0275P00019	HEATER ASSY (M8, M9, M10, M11, M12)			
51	0275P00022	HEATER ASSY (M7)			
51	0275P00038	HEATER ASSY (M13, M14, M15, M16, M17, M18, M19, M20, M21)			
51	0275P00039	HEATER ASSY (M22, M23, M24, M25)			
61	0150P00004	WHEEL, BLOWER			
71	0131P00035	FAN MOTOR, INDOOR (M1, M6, M7, M8, M9, M10, M11, M12, M13, M14, M15, M16, M17, M18, M19, M20, M21)			
71	0131P00036	FAN MOTOR, INDOOR (M2, M3, M4, M5, M22, M23, M24, M25)			
81	0163P00027	BEARING			
91	0121P00048	BRACKET-MOTOR MOUNT			
101	0130P00134	THERMISTOR - DISCHARGE			
121	0121P00059DG	ENDPLATE-RH SCROLL			
131	0121P00215DG	ENDPLATE- LH SCROLL			

Expanded Model Nomenclature

M1 - PTC093G00AXXXBA
M2 - PTC093G00HQXXBA
M3 - PTC093G00HRXXBA
M4 - PTC093G00HVXXBA
M5 - PTC093G00HXXXBA
M6 - PTC093G00RXXXBA
M7 - PTC093G15AXXXBA
M8 - PTC093G25AXXXBA
M9 - PTC093G25CXXXBA
M10 - PTC093G25QXXXBA
M11 - PTC093G25RXXXBA
M12 - PTC093G25VXXXBA
M13 - PTC093G35AXXXBA
M14 - PTC093G35CQXXBA
M15 - PTC093G35CRXXBA
M16 - PTC093G35CXXXBA
M17 - PTC093G35DXXXBA
M18 - PTC093G35QXXXBA
M19 - PTC093G35RVXXBA
M20 - PTC093G35RXXXBA
M21 - PTC093G35VXXXBA
M22 - PTC093G50AXXXBA
M23 - PTC093G50CXXXBA
M24 - PTC093G50RXXXBA
M25 - PTC093G50VXXXBA

Coil / Compressor / Tubing Assembly

REFRIGERATE TUBING ASSEMBLY



COMPRESSOR ASSEMBLY

Coil / Compressor / Tubing Assembly

Ref. Part No:	Part No:	Description:	Ref. Part No:	Part No:	Description:
Image 1:					
21	0130M00169	SWITCH, HIGH PRESS			
31	0202P00067	EVAP ASSY, 3/8, 2 ROW			
51	0201P00094	5 MM CONDENSER COIL ASSY (M1, M2, M3, M4, M5, M6, M7, M8, M10, M11, M12, M13, M17, M18, M19, M20, M21, M22, M24, M25)			
51	0202P00072NG	CONDENSER ASSY PNT (M9, M14, M15, M16, M23)			
61	0130P00077	THERMISTOR - INDOOR (M3, M6, M11, M15, M19, M20, M24)			
71	44A202A	COMPRESSOR, RECHI			
81	60130203	GROMMET - RECHI COMPRESSOR (QTY 3)			
91	0163M00079	SHOULDER SCREW (QTY 3)			
101	60100103	TERMINAL GASKET			
111	60343539	OVERLOAD PROTECTOR			
131	60100314	TERMINAL COVER - RECHI COMP			
141	60100201	WASHER - RECHI COMPRESSOR			
151	60100401	TERMINAL NUT - RECHI COMP			
161	60500101	OLP SPRING - RECHI COMPRESSOR			
201	0210P00205	CAPILLARY WELDMENT			
311	0130P00094	THERMISTOR (M3, M6, M11, M15, M19, M20, M24)			
321	0130P00073	THERMISTOR			
331	0130P00084	THERMISTOR - INDOOR COIL			

Expanded Model Nomenclature

M1 - PTC093G00AXXXBA
M2 - PTC093G00HQXXBA
M3 - PTC093G00HRXXBA
M4 - PTC093G00HVXXBA
M5 - PTC093G00HXXXBA
M6 - PTC093G00RXXXBA
M7 - PTC093G15AXXXBA
M8 - PTC093G25AXXXBA
M9 - PTC093G25CXXXBA
M10 - PTC093G25QXXXBA
M11 - PTC093G25RXXXBA
M12 - PTC093G25VXXXBA
M13 - PTC093G35AXXXBA
M14 - PTC093G35CQXXBA
M15 - PTC093G35CRXXBA
M16 - PTC093G35CXXXBA
M17 - PTC093G35DXXXBA
M18 - PTC093G35QXXXBA
M19 - PTC093G35RVXXBA
M20 - PTC093G35RXXXBA
M21 - PTC093G35VXXXBA
M22 - PTC093G50AXXXBA
M23 - PTC093G50CXXXBA
M24 - PTC093G50RXXXBA
M25 - PTC093G50VXXXBA