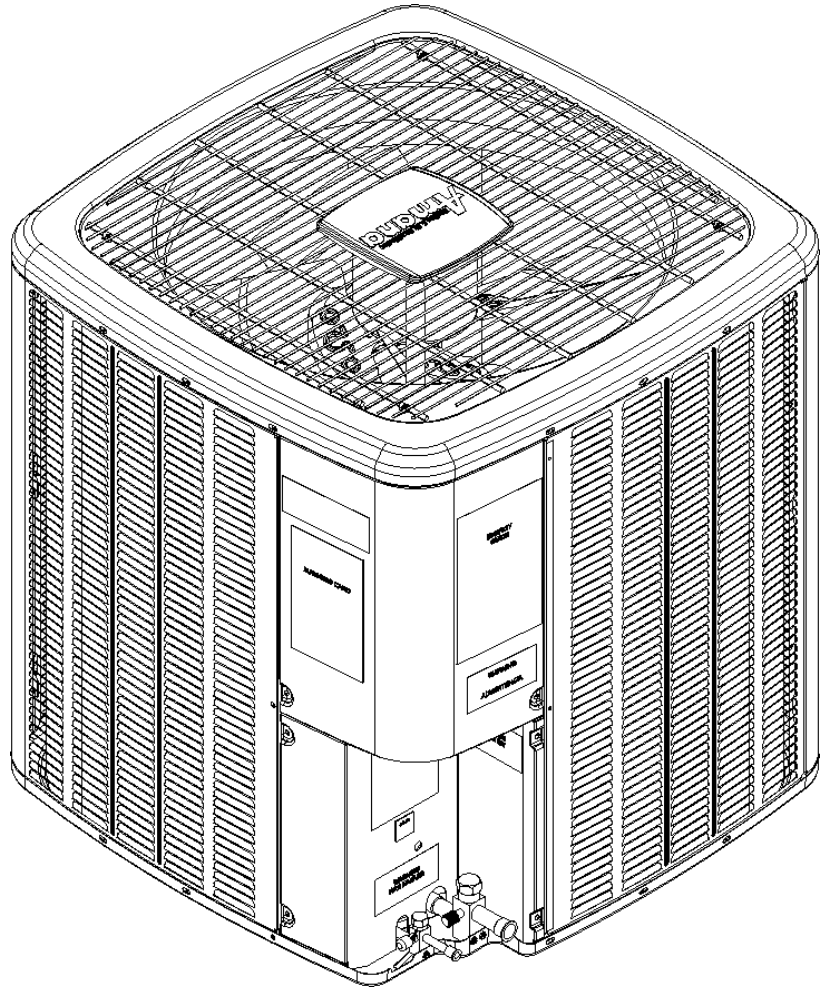


ASZC 16/18 Remote Heat Pumps

ASZC160481AE
ASZC160601BC
ASZC180481AD
ASZC180601BB



Amana® is a registered trademark of Maytag Corporation or its related companies and is used under license to Goodman Company, L.P., Houston, TX, USA. All rights reserved.

This manual is to be used by qualified technicians only.

This manual replaces RP-858.

© 2013, 2015 Goodman Company, L.P. ♦ 5151 San Felipe St., Suite 500 ♦ Houston, TX 77056

Important Information

Index

Functional Parts List	3
Illustration and Parts	4 - 9

Views shown are for parts illustrations only, not servicing procedures

Text Codes:

AR - As Required

NA - Not Available

NS - Not Shown

00000000 - See Note

QTY - Quantity Example (QTY 3) (If Quantity not shown, Quantity = 1)

M - Model Example (M1) (If M Code not shown, then part is used on all Models)

Expanded Model Nomenclature:

Example M1 - Model#1 M2 - Model#2 M3 - Model#3

Goodman Company, L.P. is not responsible for personal injury or property damage resulting from improper service. Review all service information before beginning repairs.

Warranty service must be performed by an authorized technician, using authorized factory parts. If service is required after the warranty expires, Goodman Company, L.P. also recommends contacting an authorized technician and using authorized factory parts.

Goodman Company, L.P. reserves the right to discontinue, or change at any time, specifications or designs without notice or without incurring obligations.

For assistance within the U.S.A. contact:

Consumer Affairs Department

Goodman Company, L.P.

7401 Security Way

Houston, Texas 77040

877-254-4729-Telephone

713-863-2382-Facsimile

For assistance outside the U.S.A. contact:

International Division

Goodman Company, L.P.

7401 Security Way

Houston, Texas 77040

713-861-2500-Telephone

713-863-2382-Facsimile

Functional Parts

Part

No: **Description:**

0151R00078	BASE VALVE 3/8"
0151R00080	BASE VALVE 7/8"
CAP050300440CS	CAP,5/30MFD/440V/DUAL RD (M1, M3)
CAP050400440CT	CAPACITOR 5/40/440V/DUAL RD (M2, M4)
ZPS40K5EPFV130	COMPRESSOR 41100, 208/230/60/1 (M1, M3)
ZPS49K5EPFV130	COMPRESSOR 49100, 208/230/60/1 (M2, M4)
0130M00106	CONTROL, DEFROST
0130R00003	CUT-OUT SWITCH, HIGH PRESSURE
0130R00002	CUT-OUT SWITCH, LOW PRESSURE
11046710	DISC-THERMOSTAT
10625738	FAN BLADE 26" ALUM CCW (M1, M2)
0150M00010	FAN BLADE 26" ALUM CCW (M3, M4)
0163R00007	HEATER, CRANKCASE 230V, 40W
0131M00295	MOTOR 1/6 HP 2SP 8PL (M1, M2)
0131M00401	MOTOR, ECM (M3, M4)
0130M00054	OUTDOOR AIR TEMP SENSOR
0130M00053	OUTDOOR COIL TEMP SENSOR
PCBHR104	PCB, CONTROL BOARD
0130R00018	SHARED DATA (M4)
0130R00012	SHARED DATA (M1)
0130R00014	SHARED DATA (M3)
0130R00016	SHARED DATA (M2)
B1787000	VALVE CORE

SPECIAL PARTS

0161R00008P	AMANA LOGO CAP
0161R00010P	AMANA NAMEPLATE

Expanded Model Nomenclature

M1 - ASZC160481AE
M2 - ASZC160601BC
M3 - ASZC180481AD
M4 - ASZC180601BB

Cabinet Top / Side Panels

IMAGE 1

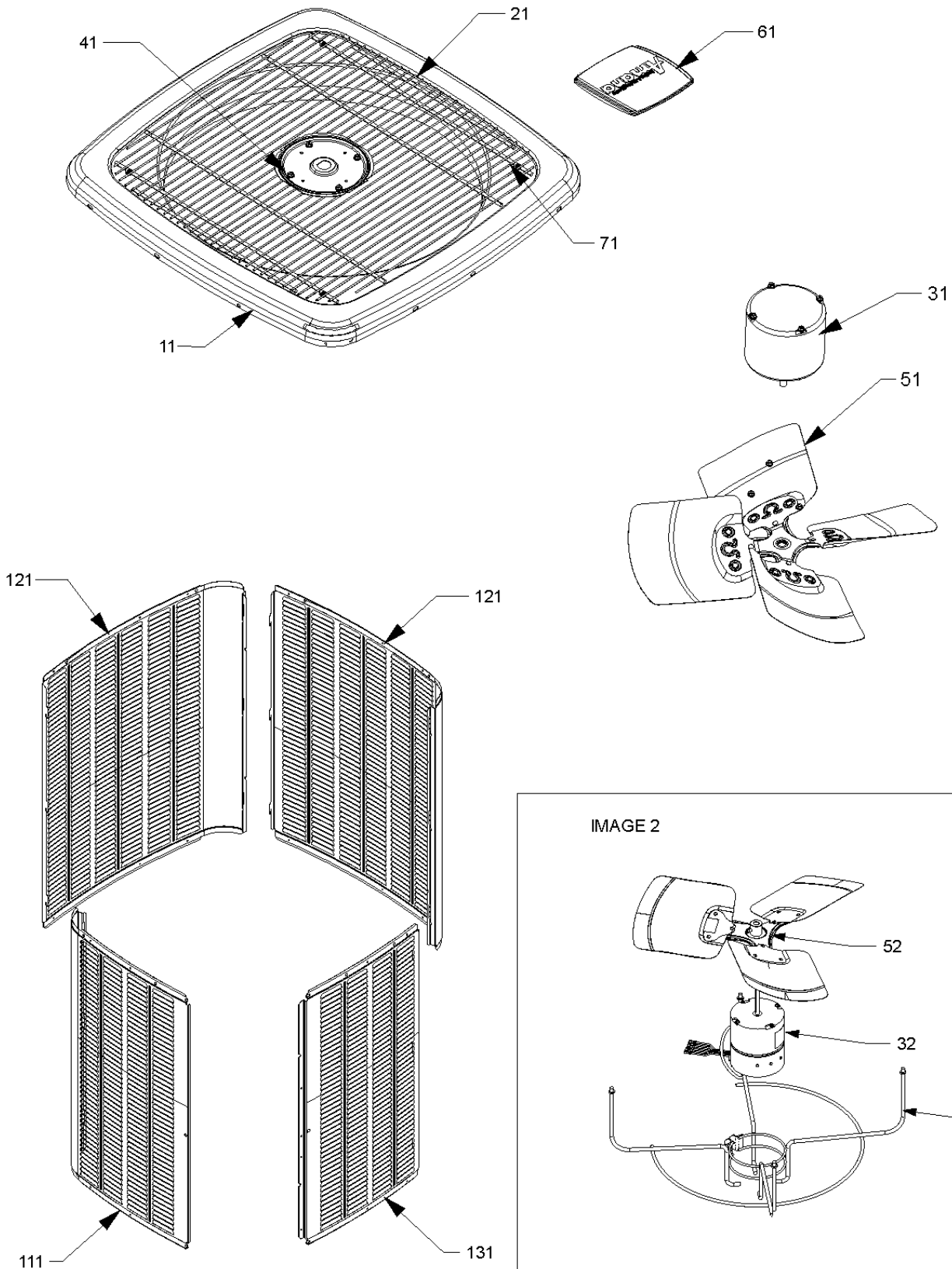


IMAGE 2

Cabinet Top / Side Panels

Ref. Part No: No:	Description:	Ref. Part No: No:	Description:
-------------------	--------------	-------------------	--------------

Image 1:

11	0121R00013PDG	VENTURI TOP PANEL 35"
21	0152R00014	GRILLE, WIRE 35" TOP
31	0131M00295	MOTOR 1/6 HP 2SP 8PL (M1, M2)
41	M0280801	HEX NUT (M1, M2)
51	10625738	FAN BLADE 26" ALUM CCW (M1, M2)
61	0161R00008P	AMANA LOGO CAP
71	0163M00003P	SCREW #10 X 1/2, A, SLOT, SR, BLACK (QTY 8)
111	4400464PLGB	LOUVERED SIDE PANEL [LT OF CNTL PNL]
121	4400466PLGB	PANEL 2, BENT LOUVER (QTY 2)
131	4400468PLG	LOUVERED SIDE PANEL [RT OF CNTL PNL]
NS	0161R00004P	CONDUIT (M1, M2)

Image 2:

32	0131M00401	MOTOR, ECM (M3, M4)
52	0150M00010	FAN BLADE 26" ALUM CCW (M3, M4)
102	0121R00003	MOTOR MOUNT BRACKET (M3, M4)
NS	B1393024	LOCK NUT (M3, M4)

Expanded Model Nomenclature

M1 - ASZC160481AE
M2 - ASZC160601BC
M3 - ASZC180481AD
M4 - ASZC180601BB

Control & Access Panel/Cover/Cond Coil

Image 1

*If end bells are needed please order the following:

0131M00182 - 1/2 HP

0131M00183 - 3/4 HP

0131M00184 - 1 HP

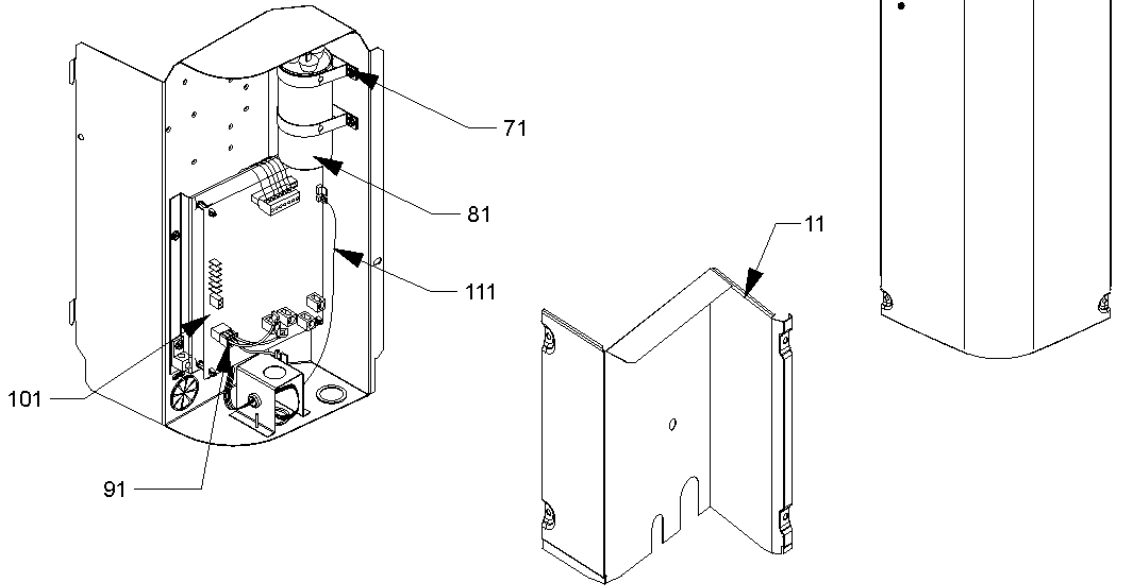
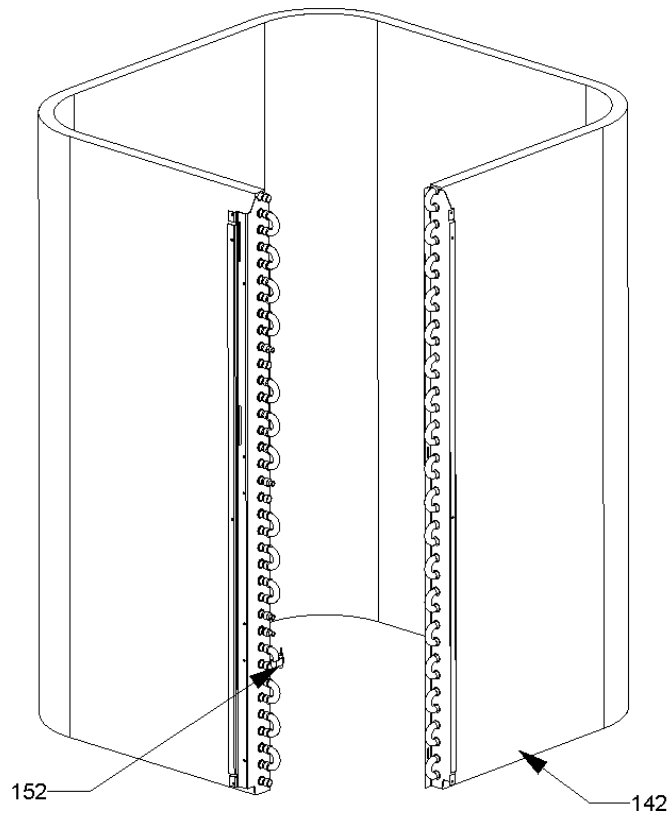


Image 2



Control & Access Panel/Cover/Cond Coil

Ref. Part No: No:	Description:	Ref. Part No: No:	Description:
-------------------	--------------	-------------------	--------------

Image 1:

11	0121R00317	LOWER ACCESS PANEL
21	0121R00054PDG	CONTROL COVER
71	0121R00213	CAPACITOR STRAP (QTY 2)
81	CAP050300440CS	CAP,5/30MFD/440V/DUAL RD (M1, M3)
81	CAP050400440CT	CAPACITOR 5/40/440V/DUAL RD (M2, M4)
91	0159R00011	WIRE ASSEMBLY, ECM MOTOR (M3, M4)
91	0159R00010	WIRE ASSEMBLY, PSC MOTOR (M1, M2)
101	PCBHR104	PCB, CONTROL BOARD
111	0130M00054	OUTDOOR AIR TEMP SENSOR
NS	0161R00010P	AMANA NAMEPLATE
NS	0130R00012	SHARED DATA (M1)
NS	0130R00014	SHARED DATA (M3)
NS	0130R00016	SHARED DATA (M2)
NS	0130R00018	SHARED DATA (M4)

Image 2:

142	0201R00341	TUBING ASSY, COND COIL
152	0130M00053	OUTDOOR COIL TEMP SENSOR

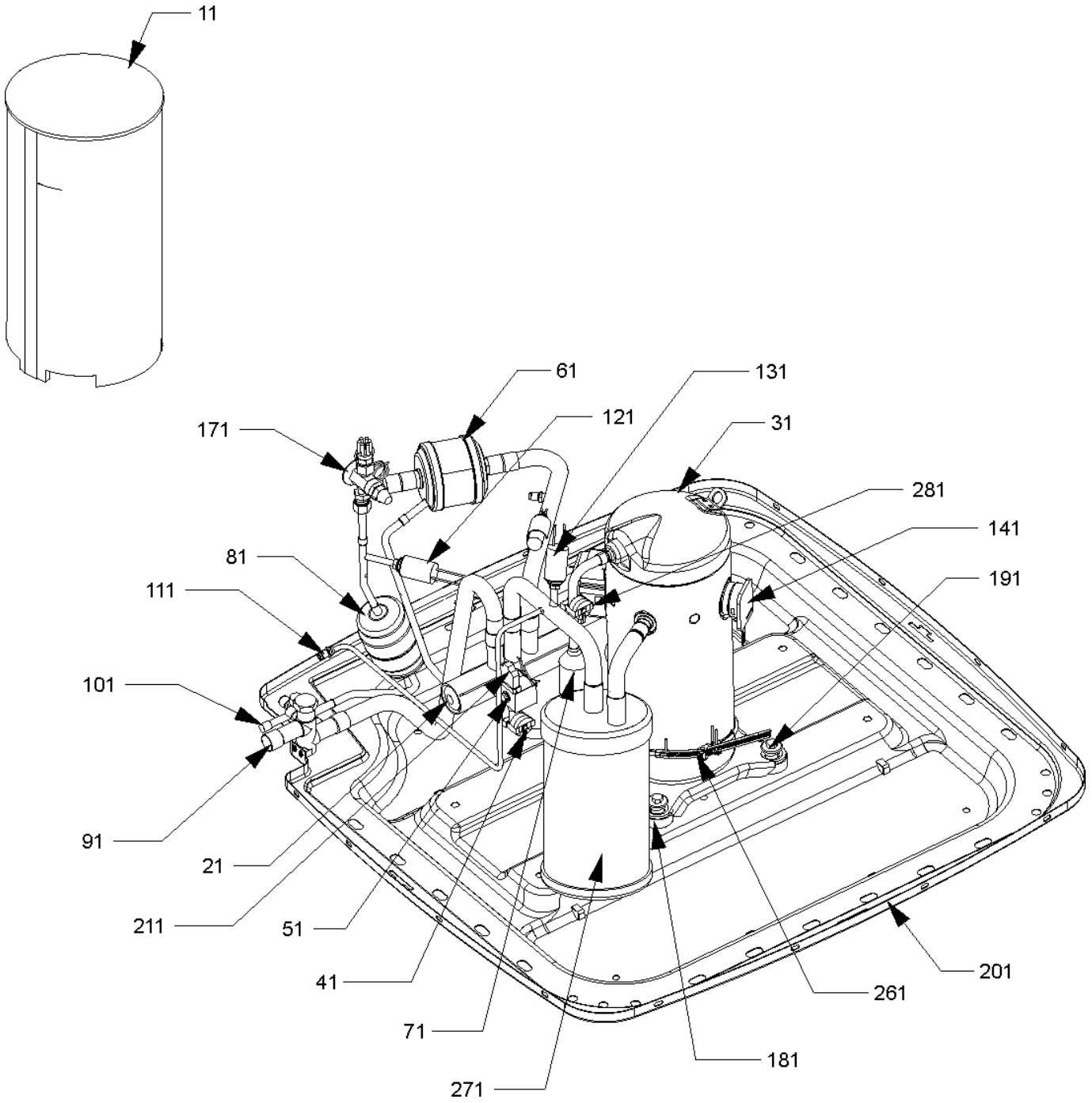
Expanded Model Nomenclature

- | |
|-------------------|
| M1 - ASZC160481AE |
| M2 - ASZC160601BC |
| M3 - ASZC180481AD |
| M4 - ASZC180601BB |

*If end bells are needed please order the following:

- 0131M00182 - 1/2 HP
- 0131M00183 - 3/4 HP
- 0131M00184 - 1 HP

Basepan / Compressor / Tubing Assembly



Basepan / Compressor / Tubing Assembly

Ref. Part No: No:	Description:	Ref. Part No: No:	Description:
Image 1:			
11	B1488806		COMPRESSOR SOUND BLANKET
21	0151M00021		REVERSING VALVE
31	ZPS40K5EPFV130		COMPRESSOR 41100, 208/230/60/1 (M1, M3)
31	ZPS49K5EPFV130		COMPRESSOR 49100, 208/230/60/1 (M2, M4)
41	11046710		DISC-THERMOSTAT
51	B1225022		SOLENOID COIL
61	20270812		COMPENSATOR
71	0162R00007		MUFFLER 1/2 X 1/2
81	20485201		BI-FLOW FILTER DRIER
91	0151R00080		BASE VALVE 7/8"
101	0151R00078		BASE VALVE 3/8"
111	B1787000		VALVE CORE
121	0130R00003		CUT-OUT SWITCH, HIGH PRESSURE
131	0130R00002		CUT-OUT SWITCH, LOW PRESSURE
141	0130M00005P		WIRE HARNESS, COMPRESSOR SOLENOID
171	0151M00010		TXV VALVE
181	0164M00018		COMPRESSOR GROMMET (M3, M4)
181	B1339533		COMPRESSOR GROMMET (M1, M2)
191	M0221641		TF SHOULDER SCREW (QTY 4)
201	0121R00007PDG		BASE PAN 35"
211	0130M00084		SOLENOID HARNESS W/1/4" TERM
261	0163R00007		HEATER, CRANKCASE 230V, 40W
271	0151L00010		ACCUMULATOR
281	0130M00106		CONTROL, DEFROST
NS	0163M00087		ACCESS FITTING
NS	B1373305		ACCESS FITTING
NS	0163M00175		CAP WITH O-RING
NS	0159R00009		COMPRESSOR SCROLL HARNESS
NS	B1796633		TEFLON O-RING (QTY 2)

Expanded Model Nomenclature

M1 - ASZC160481AE
M2 - ASZC160601BC
M3 - ASZC180481AD
M4 - ASZC180601BB