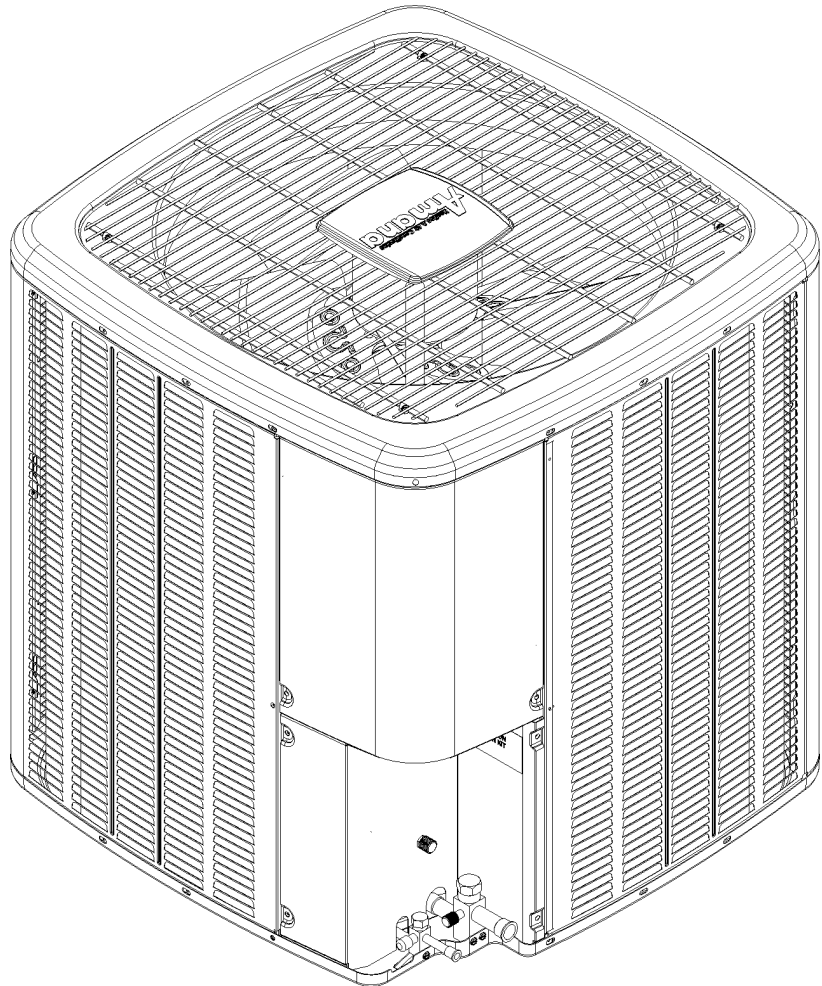


ASXC16/18 Remote Condensing Units

ASXC160241AA
ASXC160241BA
ASXC160241BB
ASXC160241BC
ASXC160241BE
ASXC160361AA
ASXC160361BA
ASXC160361BB
ASXC160361BC
ASXC160481AA
ASXC160481BA
ASXC160481BB
ASXC160481BC
ASXC160481BE
ASXC160601AA
ASXC160601BA
ASXC160601BB
ASXC160601BC
ASXC180361AA
ASXC180361AB
ASXC180361AC
ASXC180481AA
ASXC180481AB
ASXC180481AC
ASXC180601AA
ASXC180601AB
ASXC180601AC



Amana® is a registered trademark of Maytag Corporation or its related companies and is used under license. All rights reserved.

This manual is to be used by qualified technicians only.

This manual replaces RP-506F.

© 2008,2010,2012-2013, 2016 Goodman Manufacturing Company, L.P. ♦ 5151 San Felipe St, Suite 500 ♦ Houston, TX 77056

Important Information

Index

Functional Parts List	3
Illustration and Parts	4 - 9

Views shown are for parts illustrations only, not servicing procedures

Text Codes:

AR - As Required

NA - Not Available

NS - Not Shown

00000000 - See Note

QTY - Quantity Example (QTY 3) (If Quantity not shown, Quantity = 1)

M - Model Example (M1) (If M Code not shown, then part is used on all Models)

Expanded Model Nomenclature:

Example M1 - Model#1 M2 - Model#2 M3 - Model#3

Goodman Manufacturing Company, L.P. is not responsible for personal injury or property damage resulting from improper service. Review all service information before beginning repairs.

Warranty service must be performed by an authorized technician, using authorized factory parts. If service is required after the warranty expires, Goodman Manufacturing Company, L.P. also recommends contacting an authorized technician and using authorized factory parts.

Goodman Manufacturing Company, L.P. reserves the right to discontinue, or change at any time, specifications or designs without notice or without incurring obligations.

For assistance within the U.S.A. contact:

Homeowner Support

Goodman Manufacturing Company, L.P.

19001 Kermier Road

Waller, Texas 77484

877-254-4729-Telephone

713-863-2382-Facsimile

For assistance outside the U.S.A. contact:

International Division

Goodman Manufacturing Company, L.P.

19001 Kermier Road

Waller, Texas 77484

713-861-2500-Telephone

713-863-2382-Facsimile

Functional Parts

Part

No: Description:

Part No:	Description:	Part No:	Description:
0151R00079	BASE VALVE 3/4" (M1, M2, M3, M4, M5, M6, M7, M8, M9)	0130R00015	SHARED DATA (M15)
0151R00078	BASE VALVE 3/8"	0130R00013	SHARED DATA (M22, M23, M24)
0151R00080	BASE VALVE 7/8" (M10, M11, M12, M13, M14, M15, M16, M17, M18, M19, M20, M21, M22, M23, M24, M25, M26, M27)	0130R00011	SHARED DATA (M10)
CAP050300440CS	CAP,5/30MFD/440V/DUAL RD (M13, M14, M24)	0130R00006	SHARED DATA (M1)
CAP050350440CS	CAPACITOR 5/35/440V (M1, M2, M3, M4, M5)	0130R00044	SHARED DATA (M16, M17, M18)
CAP050400440CT	CAPACITOR 5/40/440V/DUAL RD (M6, M7, M8, M9, M18, M19, M20, M21, M27)	0130R00008	SHARED DATA (M6)
CAP050450440CT	CAPACITOR 5/45/440V/DUAL RD (M10, M11, M12, M22, M23)		
CAP050800440RT	CAPACITOR 5/80/440V (M15, M16, M17, M25, M26)		
ZPS20K5EPFV130	COMP, 20000,208/230 (M4, M5)		
ZPS51K5EPFV130	COMP, 51900/208/230/60/1 (M27)		
ZPS30K5EPFV130	COMP,30000,208/230 (M9, M19, M20, M21)		
ZPS20K4EPFV230	COMPRESSOR 20000, 208/230/60/1/2STG (M1, M2, M3)		
ZPS30K4EPFV230	COMPRESSOR 30000, 208/230/60/1/2STG (M6, M7, M8)		
ZPS40K4EPFV230	COMPRESSOR 40000, 208/230/60/1/2STG (M10, M11, M12, M22, M23)		
ZPS40K5EPFV130	COMPRESSOR 41100, 208/230/60/1 (M13, M14, M24)		
ZPS49K5EPFV130	COMPRESSOR 49100, 208/230/60/1 (M18)		
ZPS49K4EPFV230	COMPRESSOR 49200, 208/230/60/1/2STG (M16, M17)		
ZPS51K4EPFV230	COMPRESSOR 52000, 208/230/60/1/2STG (M15, M25, M26)		
0131M00114	COND MOTOR 1/12 HP, 2 SP, 8 PL (M1)		
0131M00115	COND MOTOR 1/6 HP, 2 SP, 8 PL (M6, M10, M11, M15, M16)		
0130R00003	CUT-OUT SWITCH, HIGH PRESSURE (M1, M2, M6, M7, M10, M11, M12, M13, M14, M19, M22, M25)		
0130R00002	CUT-OUT SWITCH, LOW PRESSURE (M1, M2, M6, M7, M10, M19, M22, M25)		
0150M00001P	FAN BLADE 20 INCH (M1)		
0150M00008	FAN BLADE 22" TNT2203-25 (M2, M3, M4, M5, M6)		
10625738	FAN BLADE 26" ALUM CCW (M10, M11, M12, M13, M14, M15, M16, M17, M18)		
0150M00010	FAN BLADE 26" ALUM CCW (M19, M20, M21, M22, M23, M24, M25, M26, M27)		
B1086764	FAN BLADE TYPE 2 (M7, M8, M9)		
0130M00086	LOW PRESSURE SWITCH (M3, M4, M5, M8, M9, M11, M12, M13, M14, M15, M16, M17, M18, M20, M21, M23, M24, M26, M27)		
0131M00295	MOTOR 1/6 HP 2SP 8PL (M12, M13, M14, M17, M18)		
0131M00117	MOTOR, 1/6HP, 2SP, 8PL (M2, M3, M4, M5)		
0131M00118	MOTOR, 1/6HP, 2SP, 8PL (M7, M8, M9)		
0131M00401	MOTOR, ECM (M19, M20, M21, M22, M23, M24, M25, M26, M27)		
0130M00054	OUTDOOR AIR TEMP SENSOR		
PCBGR103	PCB, CONTROL, 2 STG, AC		
0130R00038	SHARED DATA (M2, M3, M4, M5)		
0130R00040	SHARED DATA (M11, M12, M13, M14)		
0130R00019	SHARED DATA (M19, M20, M21)		
0130R00017	SHARED DATA (M25, M26, M27)		
0130R00039	SHARED DATA (M7, M8, M9)		

SPECIAL PARTS

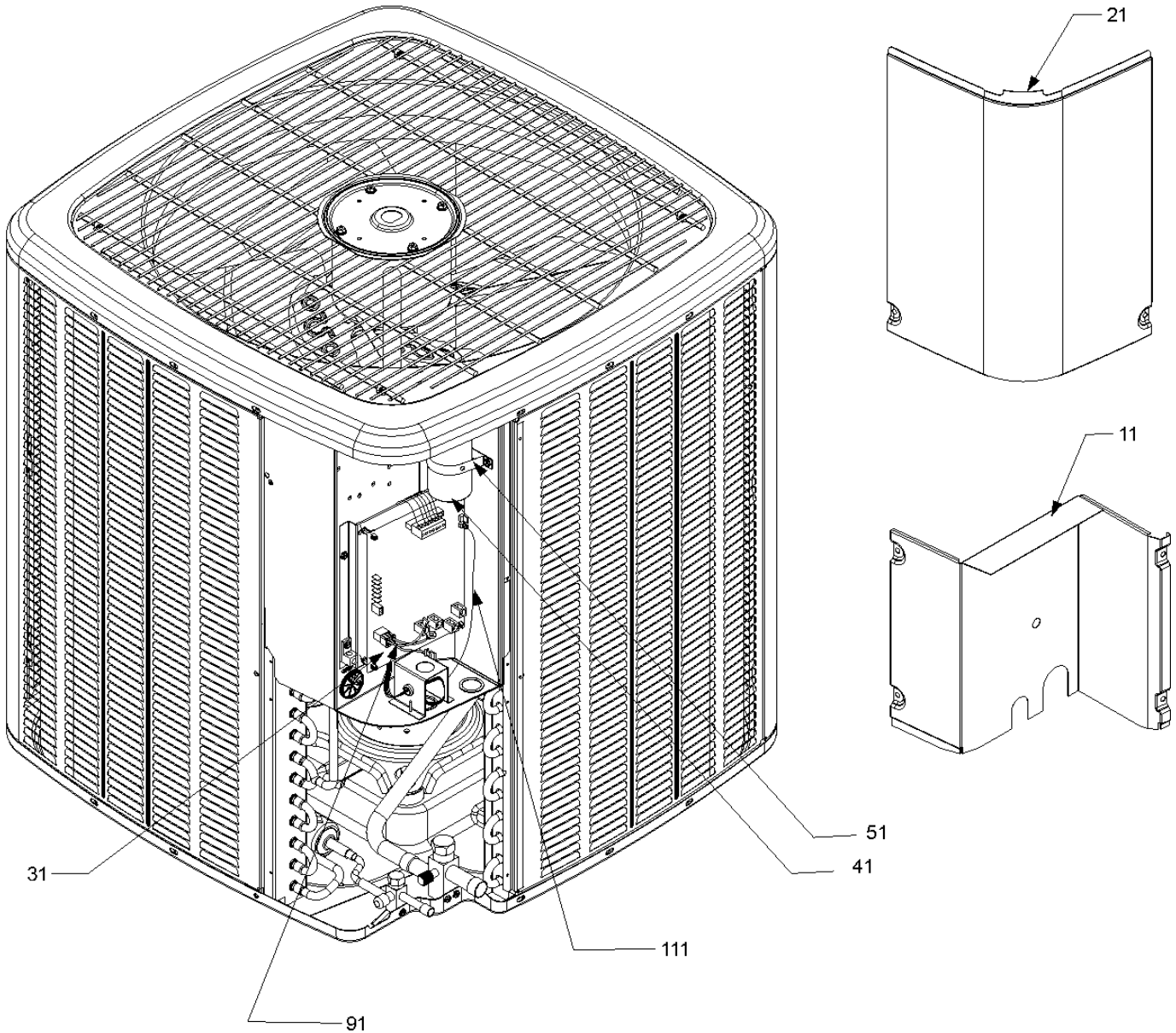
- 0161R00008P AMANA LOGO CAP
- 0161R00010P AMANA NAMEPLATE

Expanded Model Nomenclature

- M1 - ASXC160241AA
- M2 - ASXC160241BA
- M3 - ASXC160241BB
- M4 - ASXC160241BC
- M5 - ASXC160241BE
- M6 - ASXC160361AA
- M7 - ASXC160361BA
- M8 - ASXC160361BB
- M9 - ASXC160361BC
- M10 - ASXC160481AA
- M11 - ASXC160481BA
- M12 - ASXC160481BB
- M13 - ASXC160481BC
- M14 - ASXC160481BE
- M15 - ASXC160601AA
- M16 - ASXC160601BA
- M17 - ASXC160601BB
- M18 - ASXC160601BC
- M19 - ASXC180361AA
- M20 - ASXC180361AB
- M21 - ASXC180361AC
- M22 - ASXC180481AA
- M23 - ASXC180481AB
- M24 - ASXC180481AC
- M25 - ASXC180601AA
- M26 - ASXC180601AB
- M27 - ASXC180601AC

Control Cover / Control Box

*If end bells are needed please order the following:
0131M00182 - 1/2 HP
0131M00183 - 3/4 HP
0131M00184 - 1 HP

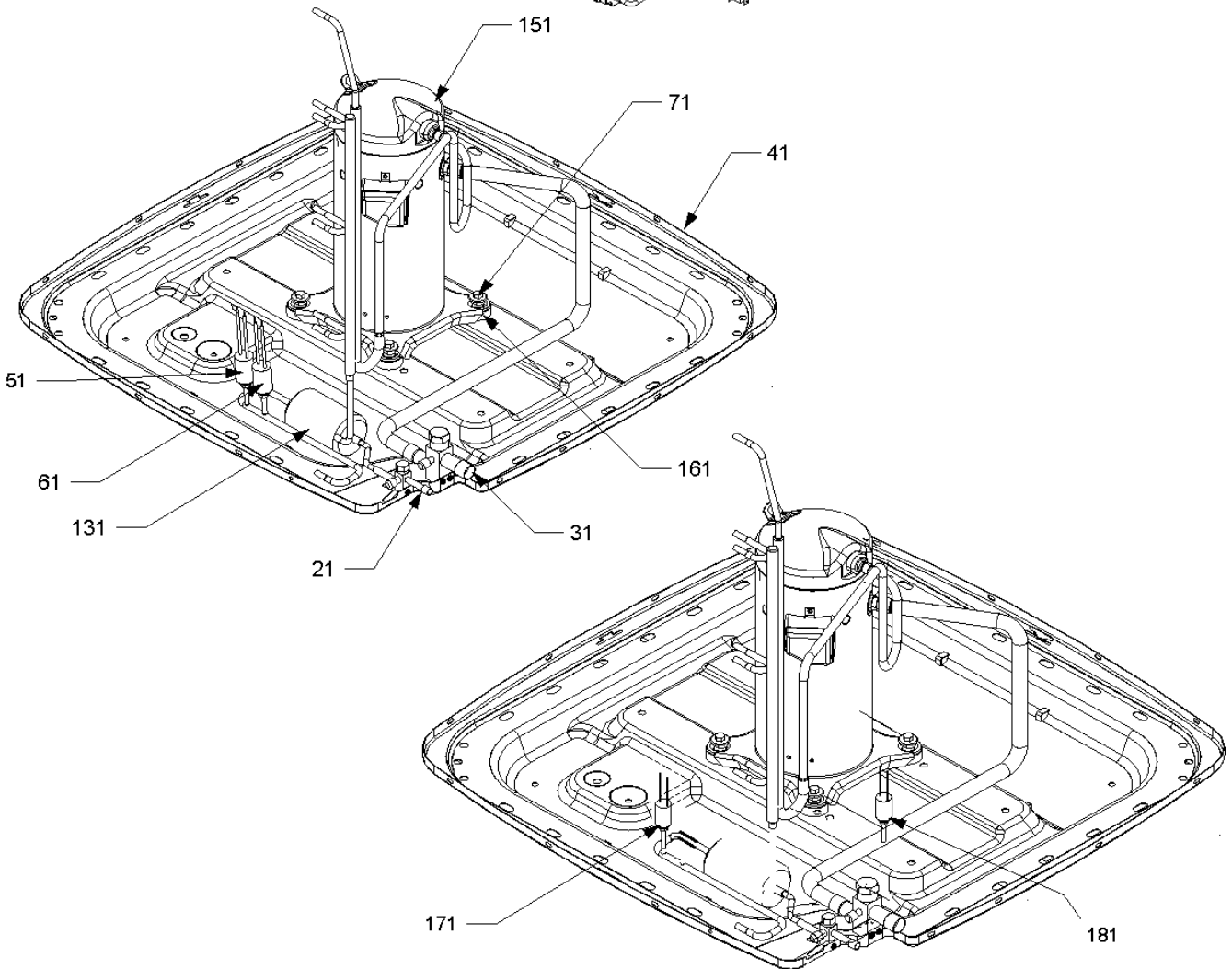
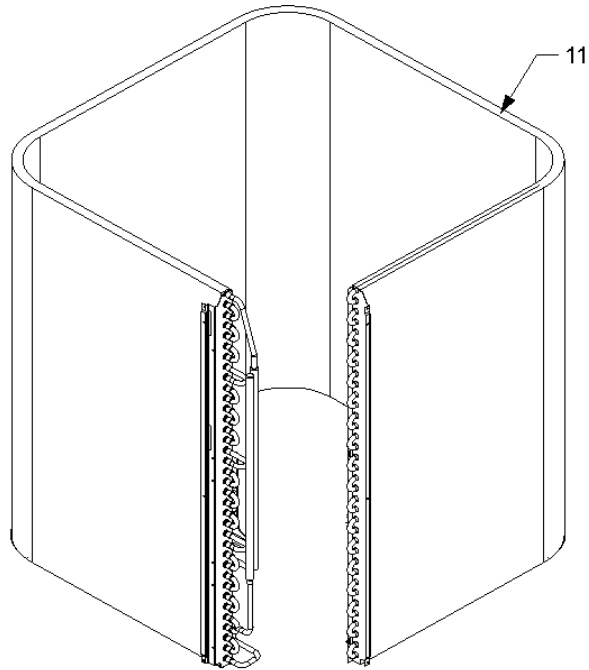


Control Cover / Control Box

Ref. Part No: No:	Description:	Ref. Part No: No:	Description:
Image 1:		Expanded Model Nomenclature	
11	0121R00315PDG PANEL, LOWER ACCESS PNT (M11, M12, M13, M14)	M1	- ASXC160241AA
11	0121R00317PDG PANEL, LOWER ACCESS PNT (M6, M10, M15, M16, M17, M18, M19, M20, M21, M22, M23, M24, M25, M26, M27)	M2	- ASXC160241BA
11	0121R00663PDG PANEL, LOWER ACCESS PNT (M1, M2, M3, M4, M5, M7, M8, M9)	M3	- ASXC160241BB
21	0121R00053PDG CONTROL COVER (M1, M2, M3, M4, M5, M7, M8, M9)	M4	- ASXC160241BC
21	0121R00054PDG CONTROL COVER (M6, M10, M11, M12, M13, M14, M15, M16, M17, M18, M19, M20, M21, M22, M23, M24, M25, M26, M27)	M5	- ASXC160241BE
31	PCBGR103 PCB, CONTROL, 2 STG, AC	M6	- ASXC160361AA
41	CAP050300440CS CAP,5/30MFD/440V/DUAL RD (M13, M14, M24)	M7	- ASXC160361BA
41	CAP050350440CS CAPACITOR 5/35/440V (M1, M2, M3, M4, M5)	M8	- ASXC160361BB
41	CAP050400440CT CAPACITOR 5/40/440V/DUAL RD (M6, M7, M8, M9, M18, M19, M20, M21, M27)	M9	- ASXC160361BC
41	CAP050450440CT CAPACITOR 5/45/440V/DUAL RD (M10, M11, M12, M22, M23)	M10	- ASXC160481AA
41	CAP050800440RT CAPACITOR 5/80/440V (M15, M16, M17, M25, M26)	M11	- ASXC160481BA
51	0121R00213 CAPACITOR STRAP (QTY 2)	M12	- ASXC160481BB
91	0159R00011 WIRE ASSEMBLY, ECM MOTOR (M19, M20, M21, M22, M23, M24, M25, M26, M27)	M13	- ASXC160481BC
91	0159R00010 WIRE ASSEMBLY, PSC MOTOR (M1, M2, M3, M4, M5, M6, M7, M8, M9, M10, M11, M12, M13, M14, M15, M16, M17, M18)	M14	- ASXC160481BE
111	0130M00054 OUTDOOR AIR TEMP SENSOR	M15	- ASXC160601AA
NS	0161R00010P AMANA NAMEPLATE	M16	- ASXC160601BA
NS	0130R00006 SHARED DATA (M1)	M17	- ASXC160601BB
NS	0130R00008 SHARED DATA (M6)	M18	- ASXC160601BC
NS	0130R00011 SHARED DATA (M10)	M19	- ASXC180361AA
NS	0130R00013 SHARED DATA (M22, M23, M24)	M20	- ASXC180361AB
NS	0130R00015 SHARED DATA (M15)	M21	- ASXC180361AC
NS	0130R00017 SHARED DATA (M25, M26, M27)	M22	- ASXC180481AA
NS	0130R00019 SHARED DATA (M19, M20, M21)	M23	- ASXC180481AB
NS	0130R00038 SHARED DATA (M2, M3, M4, M5)	M24	- ASXC180481AC
NS	0130R00039 SHARED DATA (M7, M8, M9)	M25	- ASXC180601AA
NS	0130R00040 SHARED DATA (M11, M12, M13, M14)	M26	- ASXC180601AB
NS	0130R00044 SHARED DATA (M16, M17, M18)	M27	- ASXC180601AC

*If end bells are needed please order the following:
 0131M00182 - 1/2 HP
 0131M00183 - 3/4 HP
 0131M00184 - 1 HP

Basepan / Compressor / Tubing Assembly



Basepan / Compressor / Tubing Assembly

Ref. Part No: No:	Description:	Ref. Part No: No:	Description:		
Image 1:		Image 1:			
11	0201R00005P	NS	B1488806 COMPRESSOR SOUND BLANKET (M13, M14, M18, M24, M27)		
11	0201R00047	NS	B1488810 COMPRESSOR SOUND BLANKET (M4, M5, M9, M20, M21)		
11	0201R00296	NS	0130M00005P WIRE HARNESS, COMPRESSOR SOLENOID		
11	0201R00311	Expanded Model Nomenclature			
11	1362112	<div style="border: 1px solid black; padding: 5px;"> M1 - ASXC160241AA M2 - ASXC160241BA M3 - ASXC160241BB M4 - ASXC160241BC M5 - ASXC160241BE M6 - ASXC160361AA M7 - ASXC160361BA M8 - ASXC160361BB M9 - ASXC160361BC M10 - ASXC160481AA M11 - ASXC160481BA M12 - ASXC160481BB M13 - ASXC160481BC M14 - ASXC160481BE M15 - ASXC160601AA M16 - ASXC160601BA M17 - ASXC160601BB M18 - ASXC160601BC M19 - ASXC180361AA M20 - ASXC180361AB M21 - ASXC180361AC M22 - ASXC180481AA M23 - ASXC180481AB M24 - ASXC180481AC M25 - ASXC180601AA M26 - ASXC180601AB M27 - ASXC180601AC </div>			
11	0201R00137				
21	0151R00078				
31	0151R00079				
31	0151R00080				
41	0121R00005PDG				
41	0121R00006PDG				
41	0121R00007PDG				
51	0130R00002				
61	0130R00003				
71	M0221641				
131	0162R00009				
151	ZPS20K5EPFV130				
151	ZPS51K5EPFV130				
151	ZPS30K5EPFV130				
151	ZPS20K4EPFV230				
151	ZPS30K4EPFV230				
151	ZPS40K4EPFV230				
151	ZPS40K5EPFV130				
151	ZPS49K5EPFV130				
151	ZPS49K4EPFV230				
151	ZPS51K4EPFV230				
161	0164M00018				
161	B1339533				
171	0130R00003				
181	0130M00086				
NS	0159R00001P				
NS	0159R00009				
NS	0160M00005				

Cabinet Top / Side Panels

IMAGE 1

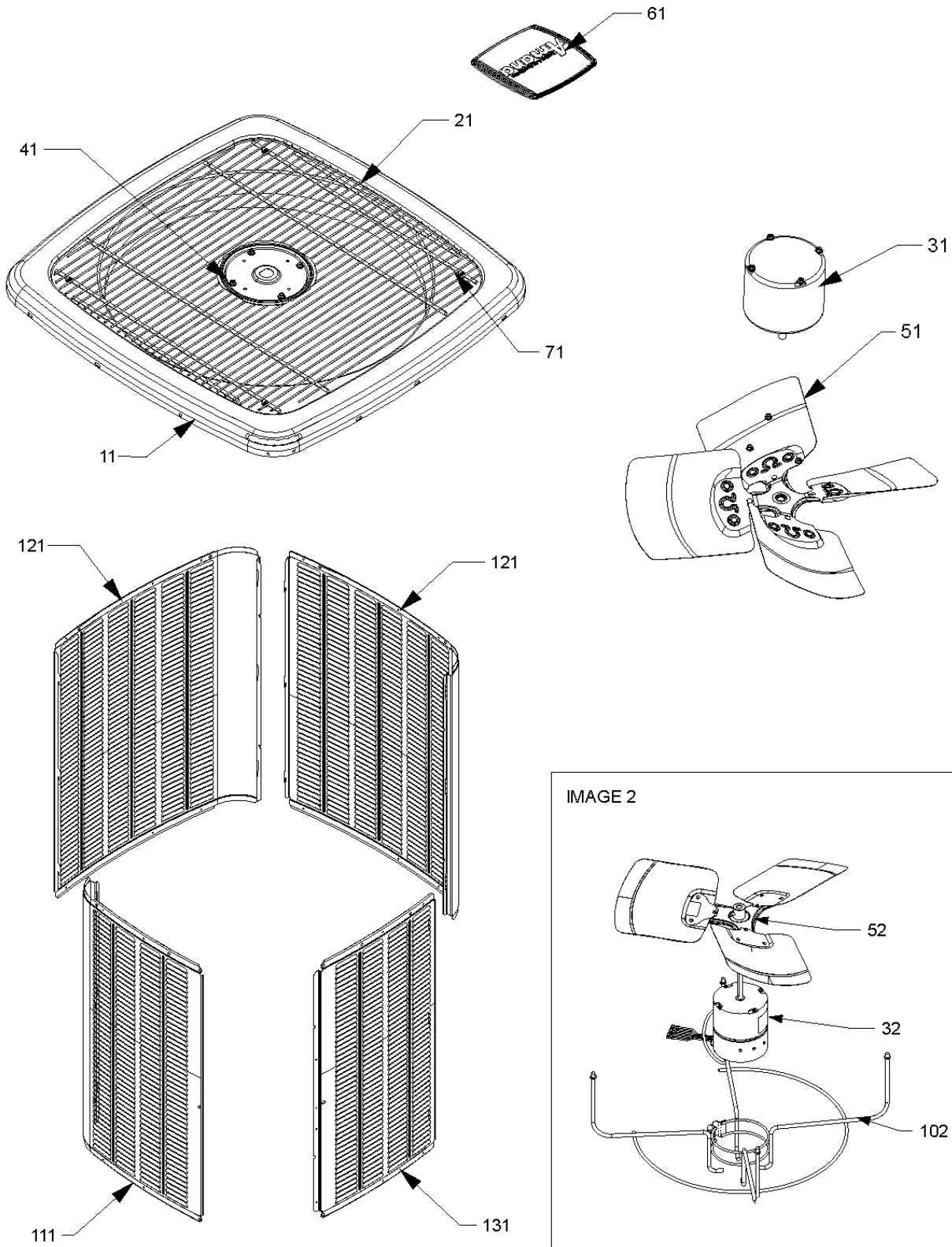
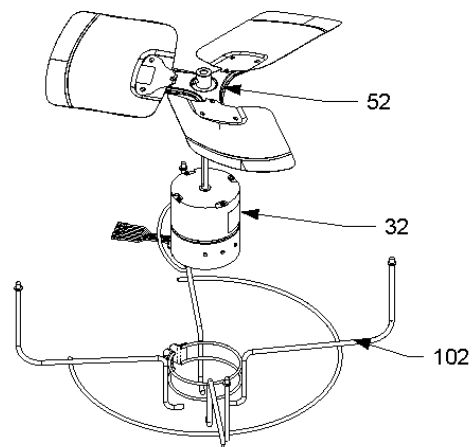


IMAGE 2



Cabinet Top / Side Panels

Ref. Part No: No:	Description:	Ref. Part No: No:	Description:
Image 1:		Image 1:	
11	0121R00009PDG VENTURI TOP PANEL 26" (M1)	NS	0161R00004P CONDUIT (M10, M11, M12, M13, M14, M15, M16, M17, M18)
11	0121R00011PDG VENTURI TOP PANEL 29" (M2, M3, M4, M5, M6, M7, M8, M9)	Image 2:	
11	0121R00013PDG VENTURI TOP PANEL 35" (M10, M11, M12, M13, M14, M15, M16, M17, M18, M19, M20, M21, M22, M23, M24, M25, M26, M27)	32	0131M00401 MOTOR, ECM (M19, M20, M21, M22, M23, M24, M25, M26, M27)
21	0152R00010 GRILLE, WIRE 26" TOP (M1)	52	0150M00010 FAN BLADE 26" ALUM CCW (M19, M20, M21, M22, M23, M24, M25, M26, M27)
21	0152R00011 GRILLE, WIRE 29" TOP (M2, M3, M4, M5, M6, M7, M8, M9)	102	0121R00003 MOTOR MOUNT BRACKET (M19, M20, M21, M22, M23, M24, M25, M26, M27)
21	0152R00014 GRILLE, WIRE 35" TOP (M10, M11, M12, M13, M14, M15, M16, M17, M18, M19, M20, M21, M22, M23, M24, M25, M26, M27)	Expanded Model Nomenclature	
31	0131M00114 COND MOTOR 1/12 HP, 2 SP, 8 PL (M1)	<div style="border: 1px solid black; padding: 5px;"> M1 - ASXC160241AA M2 - ASXC160241BA M3 - ASXC160241BB M4 - ASXC160241BC M5 - ASXC160241BE M6 - ASXC160361AA M7 - ASXC160361BA M8 - ASXC160361BB M9 - ASXC160361BC M10 - ASXC160481AA M11 - ASXC160481BA M12 - ASXC160481BB M13 - ASXC160481BC M14 - ASXC160481BE M15 - ASXC160601AA M16 - ASXC160601BA M17 - ASXC160601BB M18 - ASXC160601BC M19 - ASXC180361AA M20 - ASXC180361AB M21 - ASXC180361AC M22 - ASXC180481AA M23 - ASXC180481AB M24 - ASXC180481AC M25 - ASXC180601AA M26 - ASXC180601AB M27 - ASXC180601AC </div>	
31	0131M00115 COND MOTOR 1/6 HP, 2 SP, 8 PL (M6, M10, M11, M15, M16)		
31	0131M00295 MOTOR 1/6 HP 2SP 8PL (M12, M13, M14, M17, M18)		
31	0131M00117 MOTOR, 1/6HP, 2SP, 8PL (M2, M3, M4, M5)		
31	0131M00118 MOTOR, 1/6HP, 2SP, 8PL (M7, M8, M9)		
41	M0280801 HEX NUT (M1, M2, M3, M4, M5, M6, M7, M8, M9, M10, M11, M12, M13, M14, M15, M16, M17, M18)		
41	B1393024 LOCK NUT (M19, M20, M21, M22, M23, M24, M25, M26, M27)		
51	0150M00001P FAN BLADE 20 INCH (M1)		
51	0150M00008 FAN BLADE 22" TNT2203-25 (M2, M3, M4, M5, M6)		
51	10625738 FAN BLADE 26" ALUM CCW (M10, M11, M12, M13, M14, M15, M16, M17, M18)		
51	B1086764 FAN BLADE TYPE 2 (M7, M8, M9)		
61	0161R00008P AMANA LOGO CAP		
71	0163M00003P SCREW #10 X 1/2, A, SLOT, SR, BLACK (QTY 4)		
111	4400464PLGB LOUVERED SIDE PANEL [LT OF CNTL PNL] (M10, M15, M16, M17, M18, M19, M20, M21, M22, M23, M24, M25, M26, M27)		
111	0121R00200PLGB LOUVERED SIDE PANEL [LT OF CNTL PNL] (M2, M3, M4, M5, M7, M8, M9)		
111	0121R00239PLGB LOUVERED SIDE PANEL [LT OF CNTL PNL] (M11, M12, M13, M14)		
111	4400402PLGB LOUVERED SIDE PANEL [LT OF CNTL PNL] (M1)		
111	4400458PLGB LOUVERED SIDE PANEL [LT OF CNTL PNL] (M6)		
121	0121R00204PLGB LOUVERED SIDE PANEL (M2, M3, M4, M5, M7, M8, M9)		
121	0121R00243PLGB LOUVERED SIDE PANEL (M11, M12, M13, M14)		
121	4400407PLGB LOUVERED SIDE PANEL (M1)		
121	4400460PLGB LOUVERED SIDE PANEL 29_36 (M6)		
121	4400466PLGB PANEL 2, BENT LOUVER (M10, M15, M16, M17, M18, M19, M20, M21, M22, M23, M24, M25, M26, M27)		
131	0121R00193PLG LOUVERED SIDE PANEL [RT OF CNTL PNL] (M2, M3, M4, M5, M7, M8, M9)		
131	0121R00247PLG LOUVERED SIDE PANEL [RT OF CNTL PNL] (M11, M12, M13, M14)		
131	4400412PLG LOUVERED SIDE PANEL [RT OF CNTL PNL] (M1)		
131	4400462PLG LOUVERED SIDE PANEL [RT OF CNTL PNL] (M6)		
131	4400468PLG LOUVERED SIDE PANEL [RT OF CNTL PNL] (M10, M15, M16, M17, M18, M19, M20, M21, M22, M23, M24, M25, M26, M27)		
NS	0161R00000P CONDUIT (M1)		
NS	0161R00002P CONDUIT (M2, M3, M4, M5, M6, M7, M8, M9)		