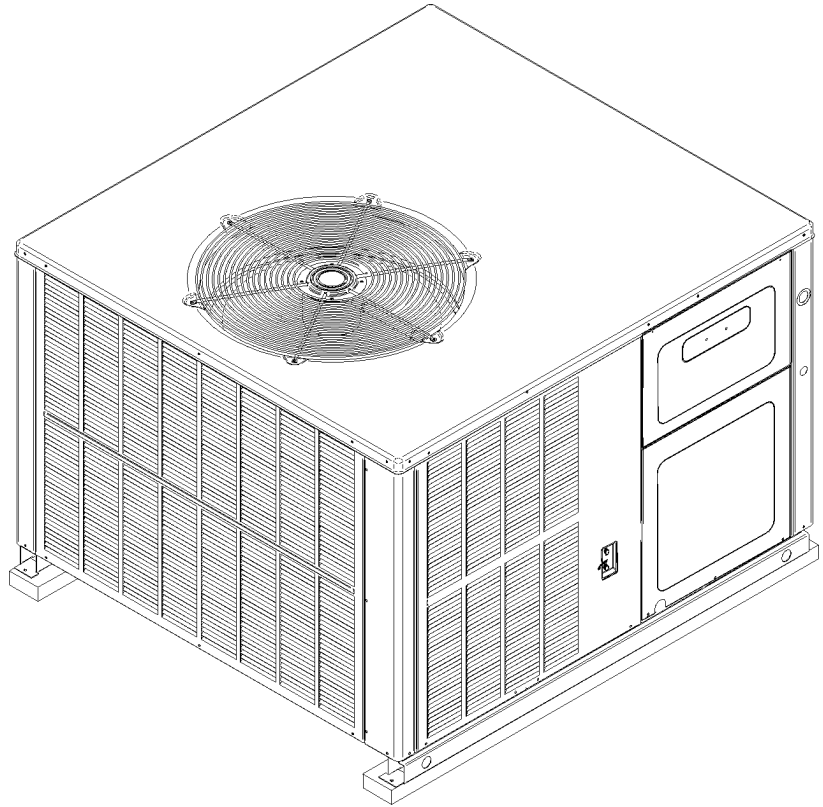


# REPAIR PARTS

## APH / GPH Package Heat Pumps

APH1524M41BA  
APH1524M41CA  
APH1530M41BA  
APH1530M41CA  
APH1536M41BA  
APH1536M41CA  
APH1543M41BA  
APH1543M41CA  
APH1549M41BA  
APH1549M41CA  
APH1560M41BA  
APH1560M41CA  
GPH1524M41BA  
GPH1524M41CA  
GPH1530M41BA  
GPH1530M41CA  
GPH1536M41BA  
GPH1536M41CA  
GPH1543M41BA  
GPH1543M41CA  
GPH1549M41BA  
GPH1549M41CA  
GPH1560M41BA  
GPH1560M41CA



This manual is to be used by qualified technicians only.

This manual replaces RP-752A.

© 2013-2014 Goodman Manufacturing Company, L.P. ♦ 5151 San Felipe, Suite 500 ♦ Houston, TX 77056

# Important Information

---

## Index

Functional Parts List .....	3
Illustration and Parts .....	4 - 11

*Views shown are for parts illustrations only, not servicing procedures*

Rev B: updates the next generation EON motor to replace ECM2.3 motor

### Text Codes:

AR - As Required

NA - Not Available

NS - Not Shown

00000000 - See Note

QTY - Quantity Example (QTY 3) (If Quantity not shown, Quantity = 1)

M - Model Example (M1) (If M Code not shown, then part is used on all Models)

### Expanded Model Nomenclature:

Example M1 - Model#1 M2 - Model#2 M3 - Model#3
---

Goodman Manufacturing Company, L.P. is not responsible for personal injury or property damage resulting from improper service. Review all service information before beginning repairs.

Warranty service must be performed by an authorized technician, using authorized factory parts. If service is required after the warranty expires, Goodman Manufacturing Company, L.P. also recommends contacting an authorized technician and using authorized factory parts.

Goodman Manufacturing Company, L.P. reserves the right to discontinue, or change at any time, specifications or designs without notice or without incurring obligations.

For assistance within the U.S.A. contact:  
Consumer Affairs Department  
Goodman Manufacturing Company, L.P.  
7401 Security Way  
Houston, Texas 77040  
877-254-4729-Telephone  
713-863-2382-Facsimile

For assistance outside the U.S.A. contact:  
International Division  
Goodman Manufacturing Company, L.P.  
7401 Security Way  
Houston, Texas 77040  
713-861-2500-Telephone  
713-863-2382-Facsimile

# Functional Parts

## Part

## No: Description:

0130M00025	24V RELAY (M9, M10, M11, M12, M21, M22, M23, M24)	0131M00619	PROGRAMMED MOTOR (M16)
D6723303	BLOWER WHEEL	0131M00616	PROGRAMMED MOTOR (M14)
CAP100400440CT	CAP, 10/40 MFD, 440V/ DUAL RD (M11, M12, M23, M24)	0131M00466	PROGRAMMED MOTOR (M15)
CAP050400440RTP	CAP, 5/40 MFD/440V/DUAL RD (M1, M2, M3, M4, M13, M14, M15, M16)	0131M00465	PROGRAMMED MOTOR (M13)
CAP050450440RTP	CAP, 5/45 MFD/440V/DUAL RD (M5, M6, M7, M8, M17, M18, M19, M20)	0131M00464	PROGRAMMED MOTOR (M21)
CAP050300440RS	CAPACITOR 5/30/370V (M9, M10, M21, M22)	0131M00622	PROGRAMMED MOTOR (M22)
ZPS51K5EPFV130	COMP, 51900/208/230/60/1 (M11, M12, M23, M24)	0131M00463	PROGRAMMED MOTOR (M19, M20)
ZP21K5EPFV130	COMP, 21300, 208/230/60/1 (M1, M2, M13, M14)	0131M00625	PROGRAMMED MOTOR (M24)
ZP34K5EPFV130	COMP, 34500, 208/230/60/1 (M7, M8, M19, M20)	0131M00462	PROGRAMMED MOTOR (M17, M18)
ZPS40K5EPFV130	COMP, 41100, 208/230/60/1 (M9, M10, M21, M22)	0131M00461	PROGRAMMED MOTOR (M23)
ZP25K5EPFV130	COMPRESSOR 25200, 208/230/60/1 (M3, M4, M15, M16)	BT1256505	RELAY, WCK (M21, M22, M23, M24)
ZP31K5EPFV130	COMPRESSOR 31100, 208/230/60/1 (M5, M6, M17, M18)	0151M00021	REVERSING VALVE (M5, M6, M7, M8, M9, M10, M11, M12, M17, M18, M19, M20, M21, M22, M23, M24)
0131M00061	COND MOTOR 1/4 HP, 1 SP, 8 PL (M1, M2, M3, M4, M5, M6, M13, M14, M15, M16, M17, M18)	0151M00019	REVERSING VALVE (M1, M2, M3, M4, M13, M14, M15, M16)
0131M00430	COND MOTOR, 1/3 HP, 1 SP, 6 PL (M11, M12, M23, M24)	B1225022	SOLENOID COIL
0131M00429	COND MOTOR, 1/4 HP, 1 SP, 6 PL (M7, M8, M9, M10, M19, M20, M21, M22)	0130M00138	TRANSFORMER, 208/230, 24V
CONT1P025024V	CONTACTOR 25 AMP, 1P, 24V (M1, M2, M3, M4, M5, M6, M13, M14, M15, M16, M17, M18)	Expanded Model Nomenclature	
CONT1P030024V	CONTACTOR 30 AMP, 1P, 24V (M7, M8, M19, M20)	M1 - APH1524M41BA	
CONT2P040024V	CONTACTOR 40 AMP, 2P, 24V (M9, M10, M11, M12, M21, M22, M23, M24)	M2 - APH1524M41CA	
0130M00102	CONTROL, DEFROST	M3 - APH1530M41BA	
0130M00106	CONTROL, DEFROST (M5, M6, M7, M8, M9, M10, M11, M12, M17, M18, M19, M20, M21, M22, M23, M24)	M4 - APH1530M41CA	
0130L00017	CRANK CASE HEATER-70W 240V (M11, M12, M23, M24)	M5 - APH1536M41BA	
0230G00005	CRANKCASE HEATER SWITCH (M5, M6, M7, M8, M9, M10, M11, M12, M17, M18, M19, M20, M21, M22, M23, M24)	M6 - APH1536M41CA	
0150M00011	FAN BLADE SWEPT-WING (M11, M23)	M7 - APH1543M41BA	
0150G00002	FAN BLADE-SWEPT WING (M1, M2, M3, M4, M5, M6, M7, M8, M9, M10, M12, M13, M14, M15, M16, M17, M18, M19, M20, M21, M22, M24)	M8 - APH1543M41CA	
0163R00003	HEATER, CRANKCASE 230V 40W (M7, M8, M9, M10, M19, M20, M21, M22)	M9 - APH1549M41BA	
0163R00002	HEATER, CRANKCASE 230V, 40W (M5, M6, M17, M18)	M10 - APH1549M41CA	
0130M00074	HIGH PRESSURE SWITCH	M11 - APH1560M41BA	
0130M00075	LOW PRESSURE SWITCH	M12 - APH1560M41CA	
0131M00637	MOTOR-1 HP PROGRAMMED EON (M11, M12)	M13 - GPH1524M41BA	
0131M00632	MOTOR-1/2 HP PROGRAMMED EON (M3, M4, M5, M6)	M14 - GPH1524M41CA	
0131M00633	MOTOR-1/2 HP PROGRAMMED EON (M1, M2)	M15 - GPH1530M41BA	
0131M00635	MOTOR-3/4 HP PROGRAMMED EON (M7, M8, M9, M10)	M16 - GPH1530M41CA	
PCBDM133	PCB, DEFROST CONTROL	M17 - GPH1536M41BA	
PCBEM102	PCB, ECM PRIMARY, VSTB (M1, M2, M3, M4, M5, M6, M7, M8, M9, M10, M11, M12)	M18 - GPH1536M41CA	
0131M00634	PROGRAM-EON MOTOR 3/4 HP	M19 - GPH1543M41BA	
		M20 - GPH1543M41CA	
		M21 - GPH1549M41BA	
		M22 - GPH1549M41CA	
		M23 - GPH1560M41BA	
		M24 - GPH1560M41CA	

# Cabinet Assembly

Image 1

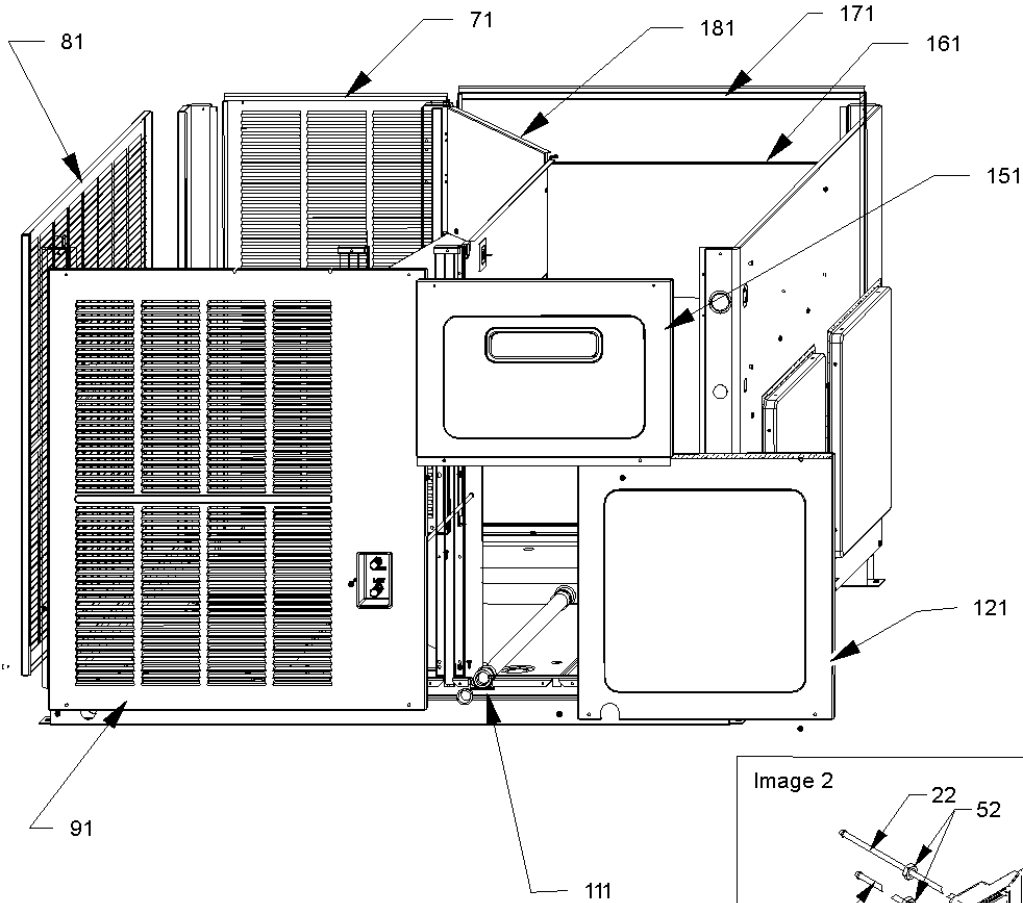
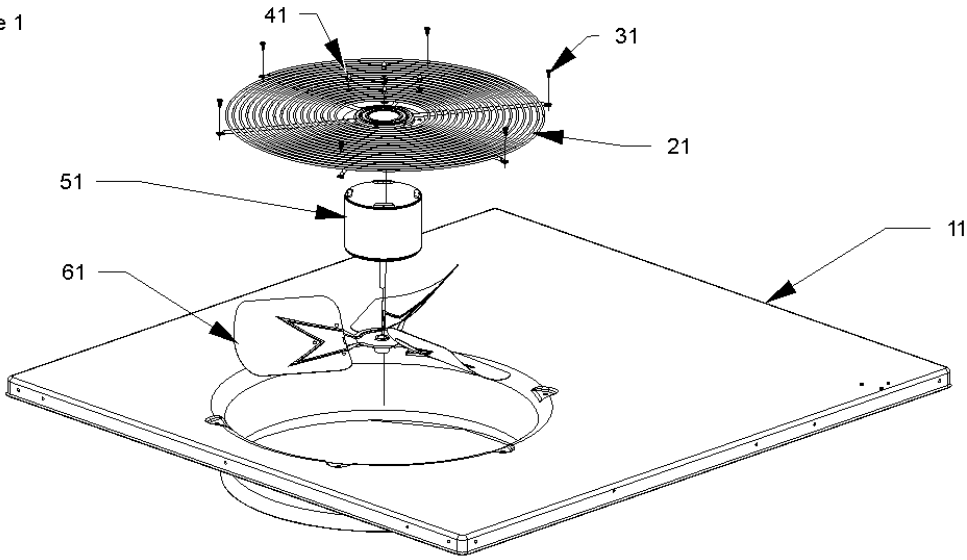
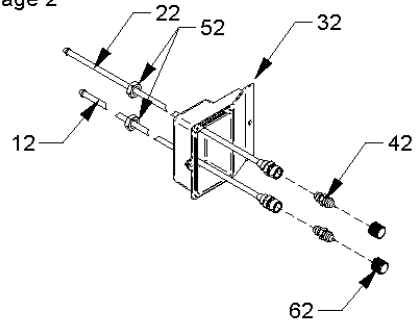


Image 2



# Cabinet Assembly

Ref. Part No:	No:	Description:
<i>Image 1:</i>		
11	0121G00156PDG	PNL, TOP, PNT
21	0152G00000	FAN GRILLE, RAISED
31	M0221817	SMALL SCREW (QTY 9)
41	0163M00006P	ACORN NUT 5/16 HEX BLACK (QTY 4)
51	0131M00061	COND MOTOR 1/4 HP, 1 SP, 8 PL (M1, M2, M3, M4, M5, M6, M13, M14, M15, M16, M17, M18)
51	0131M00430	COND MOTOR, 1/3 HP, 1 SP, 6 PL (M11, M12, M23, M24)
51	0131M00429	COND MOTOR, 1/4 HP, 1 SP, 6 PL (M7, M8, M9, M10, M19, M20, M21, M22)
61	0150M00011	FAN BLADE SWEEP-WING (M11, M23)
61	0150G00002	FAN BLADE-SWEEP WING (M1, M2, M3, M4, M5, M6, M7, M8, M9, M10, M12, M13, M14, M15, M16, M17, M18, M19, M20, M21, M22, M24)
71	20467701PDG	LOUVERED PANEL, COND SIDE 32" (M13, M14, M15, M16, M17, M18)
71	20467701PLG	LOUVERED PANEL, COND SIDE 32" (M1, M2, M3, M4, M5, M6)
71	20467702PDG	LOUVERED PANEL, COND SIDE 40" (M19, M20, M21, M22, M23, M24)
71	20467702PLG	LOUVERED PANEL, COND SIDE 40" (M7, M8, M9, M10, M11, M12)
81	20464401PDG	LOUVERED PANEL, COND SIDE 32" (M13, M14, M15, M16, M17, M18)
81	20464401PLG	LOUVERED PANEL, COND SIDE 32" (M1, M2, M3, M4, M5, M6)
81	20464402PDG	LOUVERED PANEL, COND SIDE 40" (M19, M20, M21, M22, M23, M24)
81	20464402PLG	LOUVERED PANEL, COND SIDE 40" (M7, M8, M9, M10, M11, M12)
91	0121G00146LG	LOUVERED PANEL 4 BANK 32.5", COMP SIDE (M1, M2, M3, M4, M5, M6)
91	0121G00146PDG	LOUVERED PANEL 4 BANK 32.5", COMP SIDE (M13, M14, M15, M16, M17, M18)
91	0121G00147LG	LOUVERED PANEL 4 BANK 40", COMP SIDE (M7, M9, M11)
91	0121G00147PDG	LOUVERED PANEL 4 BANK 40", COMP SIDE (M19, M21, M23)
91	0121G00224DG	SOLID PANEL COMPRESSOR 40" (M8, M10, M12, M20, M22, M24)
111	0261G00000	DRAIN PIPE
121	0121G00165PDG	PNL, BLO, CNVRT, 32.5", PNT (M1, M2, M3, M4, M5, M6, M13, M14, M15, M16, M17, M18)
121	0121G00168PDG	PNL, BLO, CNVRT, 40", PNT (M7, M8, M9, M10, M11, M12, M19, M20, M21, M22, M23, M24)
151	0121G00137	PL, LV BARRIER
161	0121G00219	EVAP BLOCK-OFF, TOP 32.5" (M1, M2, M3, M4, M5, M6, M13, M14, M15, M16, M17, M18)
161	0121G00220	EVAP BLOCK-OFF, TOP 40" (M7, M8, M9, M10, M11, M12, M19, M20, M21, M22, M23, M24)
171	20464801PDG	BLOWER DOOR 32" (M1, M2, M3, M4, M5, M6, M13, M14, M15, M16, M17, M18)
171	20464806PDG	BLOWER DOOR 40" (M7, M8, M9, M10, M11, M12, M19, M20, M21, M22, M23, M24)
181	0221G00013P	ASSY, SHRD, FAN
NS	0121G00235	FAN BAFFLE
NS	1778800083F	PVC CONDUIT 8.25"

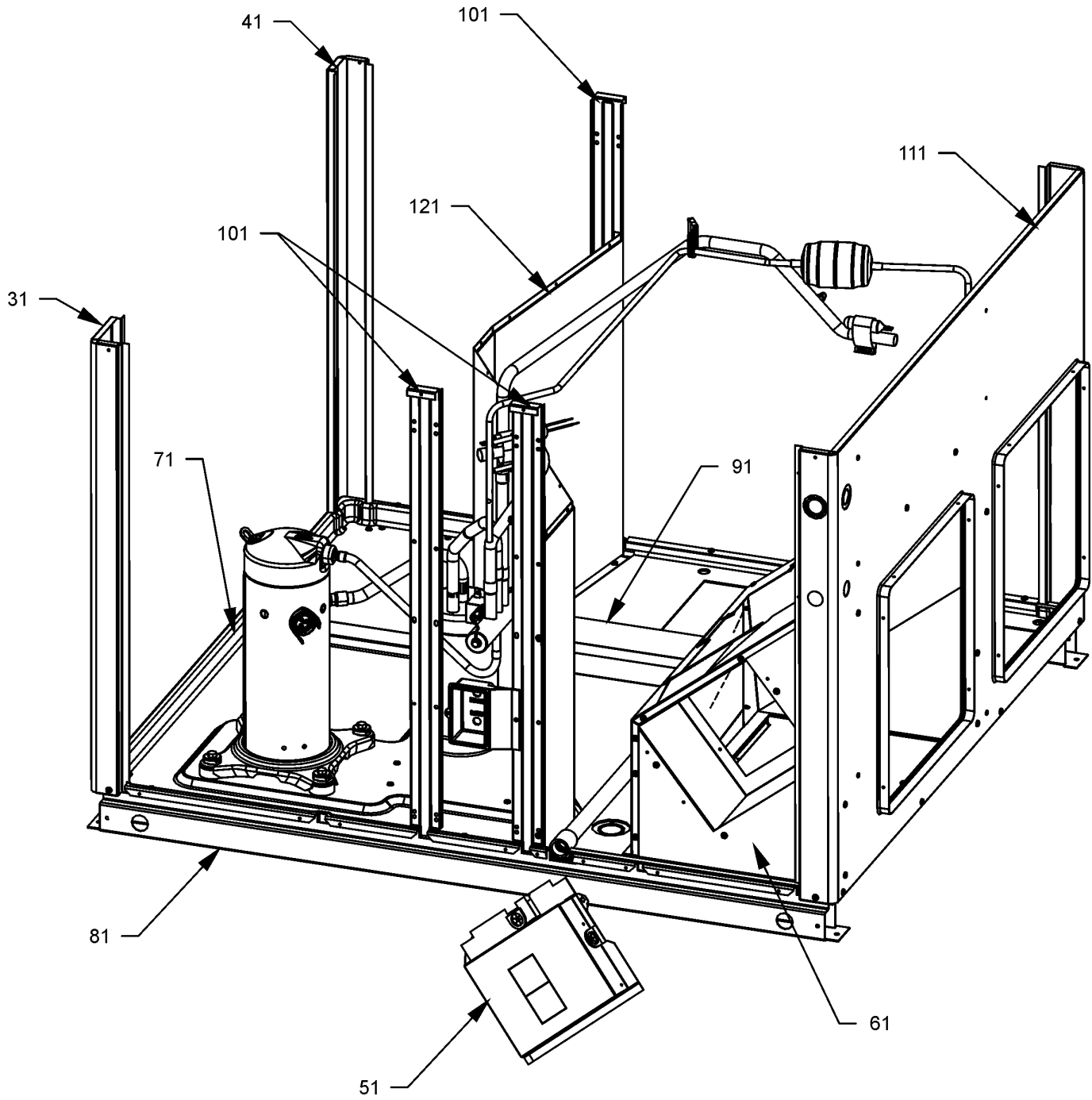
<i>Image 2:</i>		
12	0210G00031P	PROCESS TUBE ASSY-SUCTION

Ref. Part No:	No:	Description:
22	0210G00392	PROCESS TUBING ASSY (M7, M8, M9, M10, M11, M12, M19, M20, M21, M22, M23, M24)
22	0210G00482	PROCESS TUBING ASSY (M1, M2, M3, M4, M5, M6, M13, M14, M15, M16, M17, M18)
32	0161G00008	ACCESS-FITTING BOX
42	B1373315	ACCESS FITTING (QTY 2)
52	0163G00000P	FASTEST FITTING NUT (QTY 2)
62	0163M00175	CAP WITH O-RING (QTY 2)

Expanded Model Nomenclature

- M1 - APH1524M41BA
- M2 - APH1524M41CA
- M3 - APH1530M41BA
- M4 - APH1530M41CA
- M5 - APH1536M41BA
- M6 - APH1536M41CA
- M7 - APH1543M41BA
- M8 - APH1543M41CA
- M9 - APH1549M41BA
- M10 - APH1549M41CA
- M11 - APH1560M41BA
- M12 - APH1560M41CA
- M13 - GPH1524M41BA
- M14 - GPH1524M41CA
- M15 - GPH1530M41BA
- M16 - GPH1530M41CA
- M17 - GPH1536M41BA
- M18 - GPH1536M41CA
- M19 - GPH1543M41BA
- M20 - GPH1543M41CA
- M21 - GPH1549M41BA
- M22 - GPH1549M41CA
- M23 - GPH1560M41BA
- M24 - GPH1560M41CA

# Panels and Supports



# Panels and Supports

Ref. Part No:	Description:	Ref. Part No:	Description:
<i>Image 1:</i>		Expanded Model Nomenclature	
31	20464201PDG CORNER POST-COMP END 32" (M1, M2, M3, M4, M5, M6, M13, M14, M15, M16, M17, M18)	M1 -	APH1524M41BA
31	20464202PDG CORNER POST-COMP END 40" (M7, M8, M9, M10, M11, M12, M19, M20, M21, M22, M23, M24)	M2 -	APH1524M41CA
41	20464301PDG CORNER POST-HAIRPIN END 32" (M1, M2, M3, M4, M5, M6, M13, M14, M15, M16, M17, M18)	M3 -	APH1530M41BA
41	20464302PDG CORNER POST-HAIRPIN END 40" (M7, M8, M9, M10, M11, M12, M19, M20, M21, M22, M23, M24)	M4 -	APH1530M41CA
51	0121G00528 COVER, HK (QTY 2)	M5 -	APH1536M41BA
61	0221G00014 BLOWER TRANSITION ASSY	M6 -	APH1536M41CA
71	0121G00290 BASE PAN RAIL (QTY 2)	M7 -	APH1543M41BA
81	0121G00444 BASEPAN, PACKAGE	M8 -	APH1543M41CA
91	0161G00003 PLASTIC DRIP PAN	M9 -	APH1549M41BA
101	0121G00460 POST-SUPPORT, SIDE (M1, M2, M3, M4, M5, M6, M13, M14, M15, M16, M17, M18)	M10 -	APH1549M41CA
101	0121G00462 POST-SUPPORT, SIDE (M7, M8, M9, M10, M11, M12, M19, M20, M21, M22, M23, M24)	M11 -	APH1560M41BA
111	0121G00440 PNL, DUCT, CNVRT 32.5" (M1, M2, M3, M4, M5, M6, M13, M14, M15, M16, M17, M18)	M12 -	APH1560M41CA
111	0121G00441 PNL, DUCT, CNVRT 40" (M7, M8, M9, M10, M11, M12, M19, M20, M21, M22, M23, M24)	M13 -	GPH1524M41BA
121	0121G00510 PARTITION, 32.5" (M1, M2, M3, M4, M5, M6, M13, M14, M15, M16, M17, M18)	M14 -	GPH1524M41CA
121	0121G00511 PARTITION, 40" (M7, M9, M11, M19, M21, M23)	M15 -	GPH1530M41BA
121	0121G00549 PARTITION, 40" (M8, M10, M12, M20, M22, M24)	M16 -	GPH1530M41CA
NS	0121G00158 EVAP BLOCK-OFF 32.5" (M1, M2, M3, M4, M5, M6, M13, M14, M15, M16, M17, M18)	M17 -	GPH1536M41BA
NS	0121G00159 EVAP BLOCK-OFF 40" (M7, M8, M9, M10, M11, M12, M19, M20, M21, M22, M23, M24)	M18 -	GPH1536M41CA
		M19 -	GPH1543M41BA
		M20 -	GPH1543M41CA
		M21 -	GPH1549M41BA
		M22 -	GPH1549M41CA
		M23 -	GPH1560M41BA
		M24 -	GPH1560M41CA

# Tubing / Coil Assemblies

Image 1

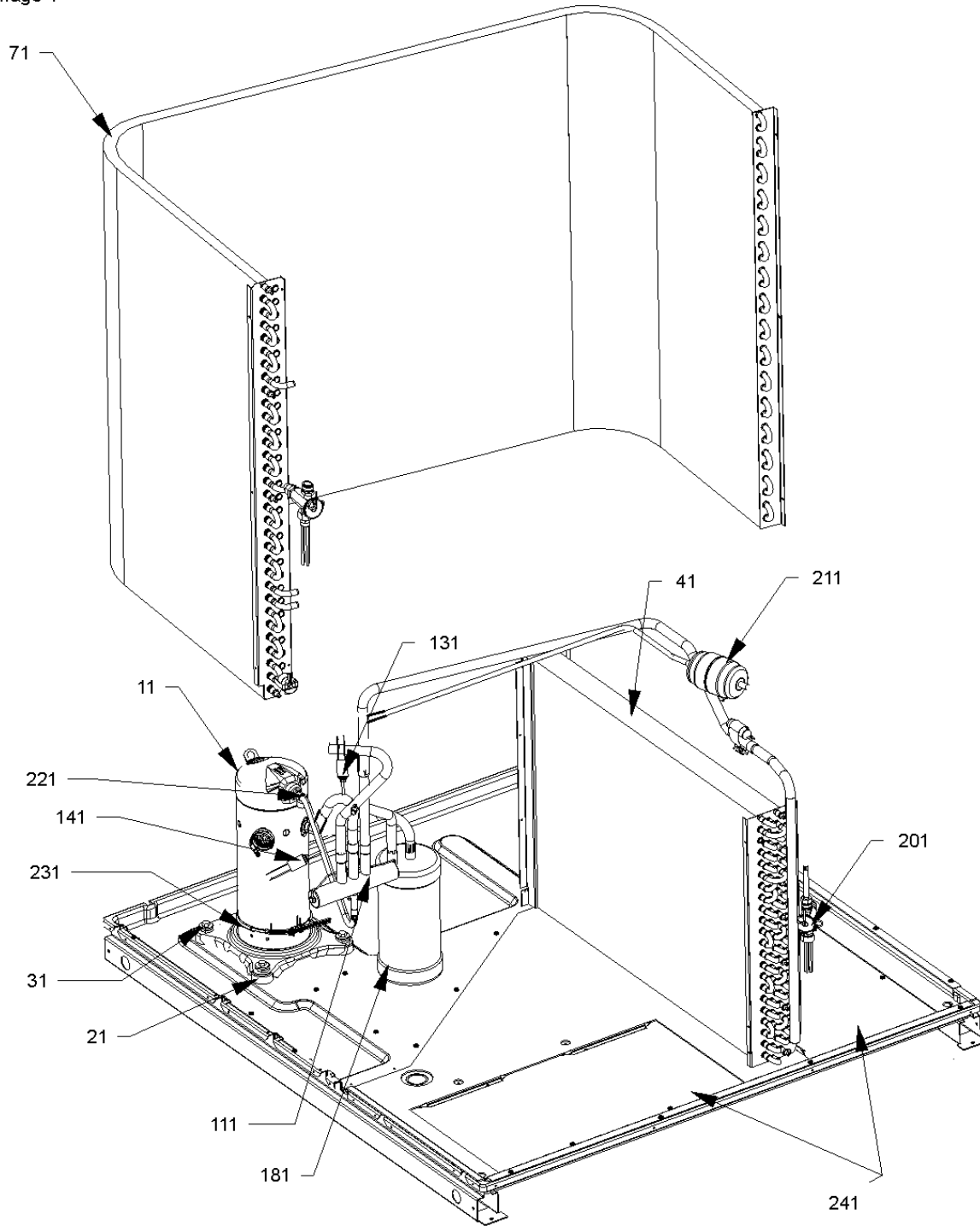
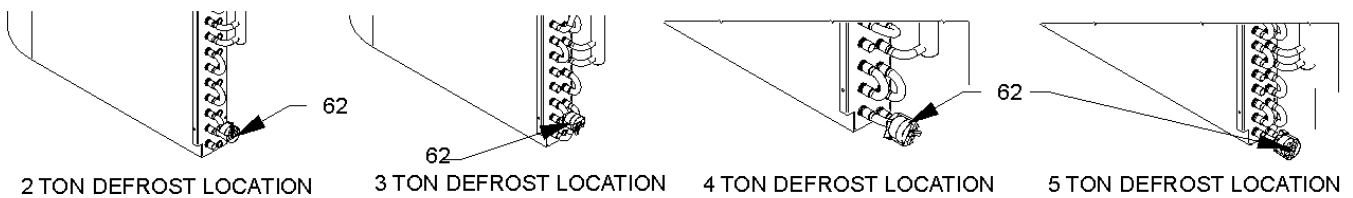


Image 2





# Tubing / Coil Assemblies

Ref. Part No:	Ref. Part No:	Description:	Description:	
<i>Image 1:</i>		<i>Image 1:</i>		
11	ZPS51K5EPFV130	COMP, 51900/208/230/60/1 (M11, M12, M23, M24)	NS 0160M00005 BLANKET, COMPRESSOR (M7, M9, M11)	
11	ZP21K5EPFV130	COMP,21300,208/230/60/1 (M1, M2, M13, M14)	NS 0159G00002 COMPRESSOR SCROLL HARNESS (M1, M2, M3, M4, M5, M6, M13, M14, M15, M16, M17, M18)	
11	ZP34K5EPFV130	COMP,34500,208/230/60/1 (M7, M8, M19, M20)	NS 0159G00004 COMPRESSOR SCROLL HARNESS (M8, M9, M10, M11, M12, M20, M21, M22, M23, M24)	
11	ZPS40K5EPFV130	COMP,41100,208/230/60/1 (M9, M10, M21, M22)	NS 0159R00003P COMPRESSOR SCROLL HARNESS (M7, M19)	
11	ZP25K5EPFV130	COMPRESSOR 25200, 208/230/60/1 (M3, M4, M15, M16)	NS B1225022 SOLENOID COIL	
11	ZP31K5EPFV130	COMPRESSOR 31100, 208/230/60/1 (M5, M6, M17, M18)	<i>Image 2:</i>	
21	B1339533	COMPRESSOR GROMMET (QTY 4)	62 0130M00102 CONTROL, DEFROST	
31	M0221641	TF SHOULDER SCREW (QTY 4)	NS 0130M00106 CONTROL, DEFROST (M5, M6, M7, M8, M9, M10, M11, M12, M17, M18, M19, M20, M21, M22, M23, M24)	
41	0202G00110	TUBING ASSY, EVAP COIL (M1, M3, M13, M15)	Expanded Model Nomenclature	
41	0202G00111	TUBING ASSY, EVAP COIL (M5, M17)	<div style="border: 1px solid black; padding: 5px;"> M1 - APH1524M41BA  M2 - APH1524M41CA  M3 - APH1530M41BA  M4 - APH1530M41CA  M5 - APH1536M41BA  M6 - APH1536M41CA  M7 - APH1543M41BA  M8 - APH1543M41CA  M9 - APH1549M41BA  M10 - APH1549M41CA  M11 - APH1560M41BA  M12 - APH1560M41CA  M13 - GPH1524M41BA  M14 - GPH1524M41CA  M15 - GPH1530M41BA  M16 - GPH1530M41CA  M17 - GPH1536M41BA  M18 - GPH1536M41CA  M19 - GPH1543M41BA  M20 - GPH1543M41CA  M21 - GPH1549M41BA  M22 - GPH1549M41CA  M23 - GPH1560M41BA  M24 - GPH1560M41CA </div>	
41	0202G00317	TUBING ASSY, EVAP COIL (M7, M19)		
41	0202G00321	TUBING ASSY, EVAP COIL (M9, M11, M21, M23)		
41	0202G00408	TUBING ASSY, EVAP COIL (M2, M4, M14, M16)		
41	0202G00409	TUBING ASSY, EVAP COIL (M6, M18)		
41	0202G00410	TUBING ASSY, EVAP COIL (M8, M20)		
41	0202G00411	TUBING ASSY, EVAP COIL (M10, M12, M22, M24)		
71	0201G00276	TUBING ASSY, COND COIL (M1, M3, M13, M15)		
71	0201G00316	TUBING ASSY, COND COIL (M10, M12, M22, M24)		
71	0201G00317	TUBING ASSY, COND COIL (M2, M14)		
71	0201G00318	TUBING ASSY, COND COIL (M4, M16)		
71	0201G00319	TUBING ASSY, COND COIL (M8, M20)		
71	0201G00098	TUBING ASSY, COND COIL 32" (M5, M6, M17, M18)		
71	0201G00083	TUBING ASSY, COND COIL 40" (M7, M9, M11, M19, M21, M23)		
111	0151M00019	REVERSING VALVE (M1, M2, M3, M4, M13, M14, M15, M16)		
111	0151M00021	REVERSING VALVE (M5, M6, M7, M8, M9, M10, M11, M12, M17, M18, M19, M20, M21, M22, M23, M24)		
131	0130M00074	HIGH PRESSURE SWITCH		
141	0130M00075	LOW PRESSURE SWITCH		
181	B1226206	ACCUMULATOR (M1, M2, M3, M4, M13, M14, M15, M16)		
181	B1226207	ACCUMULATOR .875 (M5, M6, M7, M8, M9, M10, M11, M12, M17, M18, M19, M20, M21, M22, M23, M24)		
201	0151G00003	VALVE, TXV R-410A (M1, M2, M3, M4, M13, M14, M15, M16)		
201	0151M00029	VALVE-TXV (M5, M6, M17, M18)		
201	0151M00030	VALVE-TXV (M9, M10, M11, M12, M21, M22, M23, M24)		
211	20485201	BI-FLOW FILTER DRIER (M1, M2, M3, M4, M5, M6, M7, M9, M11, M13, M14, M15, M16, M17, M18, M19, M21, M23)		
221	0230G00005	CRANKCASE HEATER SWITCH (M5, M6, M7, M8, M9, M10, M11, M12, M17, M18, M19, M20, M21, M22, M23, M24)		
231	0130L00017	CRANK CASE HEATER-70W 240V (M11, M12, M23, M24)		
231	0163R00003	HEATER, CRANKCASE 230V 40W (M7, M8, M9, M10, M19, M20, M21, M22)		
231	0163R00002	HEATER, CRANKCASE 230V, 40W (M5, M6, M17, M18)		
241	0121G00148	SINGLE COVER, DOWN DISCHARGE (QTY 2)		
NS	0160M00004	BLANKET, COMPRESSOR (M1, M3, M5)		

# Control Panel / Blower Assembly

Image 1

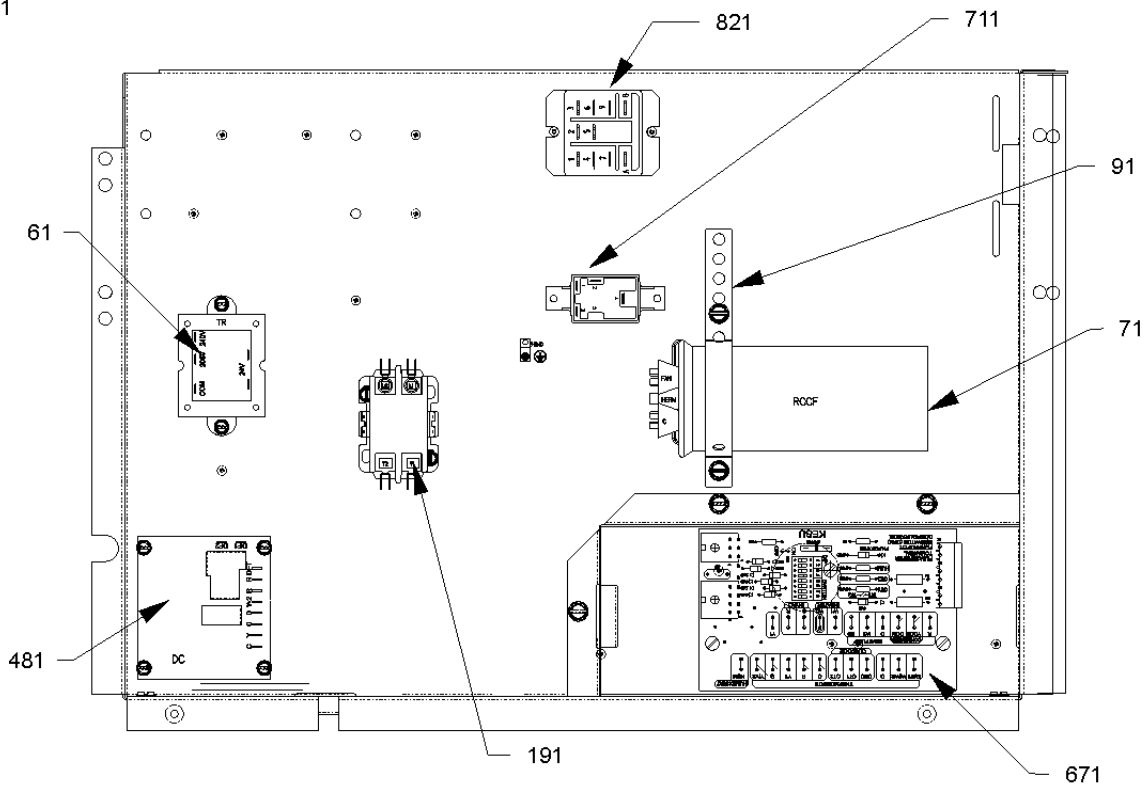
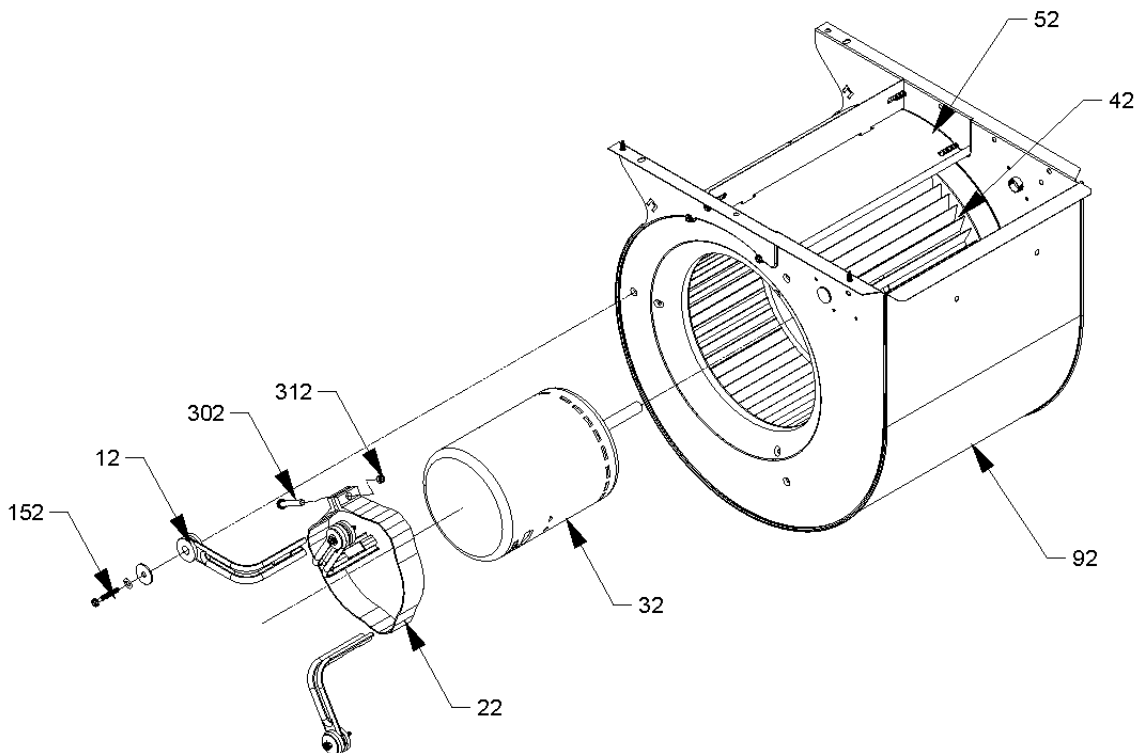


Image 2



# Control Panel / Blower Assembly

## Ref. Part

No: No: Description:

## Ref. Part

No: No: Description:

### Image 1:

61	0130M00138	TRANSFORMER, 208/230, 24V
71	CAP100400440CT	CAP, 10/40 MFD, 440V/ DUAL RD (M11, M12, M23, M24)
71	CAP050400440RTP	CAP, 5/40 MFD/440V/DUAL RD (M1, M2, M3, M4, M13, M14, M15, M16)
71	CAP050450440RTP	CAP, 5/45 MFD/440V/DUAL RD (M5, M6, M7, M8, M17, M18, M19, M20)
71	CAP050300440RS	CAPACITOR 5/30/370V (M9, M10, M21, M22)
91	20520901	CAPACITOR STRAP
191	CONT1P025024V	CONTACTOR 25 AMP, 1P, 24V (M1, M2, M3, M4, M5, M6, M13, M14, M15, M16, M17, M18)
191	CONT1P030024V	CONTACTOR 30 AMP, 1P, 24V (M7, M8, M19, M20)
191	CONT2P040024V	CONTACTOR 40 AMP, 2P, 24V (M9, M10, M11, M12, M21, M22, M23, M24)
481	PCBDM133	PCB, DEFROST CONTROL
671	PCBEM102	PCB, ECM PRIMARY, VSTB (M1, M2, M3, M4, M5, M6, M7, M8, M9, M10, M11, M12)
711	0130M00025	24V RELAY (M9, M10, M11, M12, M21, M22, M23, M24)
821	BT1256505	RELAY, WCK (M21, M22, M23, M24)
NS	0259G00070	WIRE HARNESS, ELECTRIC HEAT (M13, M14, M15, M16, M17, M18, M19, M20, M21, M22, M23, M24)
NS	0259G00071	WIRE HARNESS, ELECTRIC HEAT (M1, M2, M3, M4, M5, M6, M7, M8, M9, M10, M11, M12)
NS	B1378701	WIRE HARNESS, HIGH VOLTAGE (5-PIN ECM) (M1, M2, M3, M4, M5, M6, M7, M8, M9, M10, M11, M12)
NS	B1378700	WIRE HARNESS, LOW VOLTAGE (16-PIN ECM) (M1, M2, M3, M4, M5, M6, M7, M8, M9, M10, M11, M12)

### Expanded Model Nomenclature

M1 - APH1524M41BA
M2 - APH1524M41CA
M3 - APH1530M41BA
M4 - APH1530M41CA
M5 - APH1536M41BA
M6 - APH1536M41CA
M7 - APH1543M41BA
M8 - APH1543M41CA
M9 - APH1549M41BA
M10 - APH1549M41CA
M11 - APH1560M41BA
M12 - APH1560M41CA
M13 - GPH1524M41BA
M14 - GPH1524M41CA
M15 - GPH1530M41BA
M16 - GPH1530M41CA
M17 - GPH1536M41BA
M18 - GPH1536M41CA
M19 - GPH1543M41BA
M20 - GPH1543M41CA
M21 - GPH1549M41BA
M22 - GPH1549M41CA
M23 - GPH1560M41BA
M24 - GPH1560M41CA

### Image 2:

12	B1376857	MOTOR MOUNT ARM (QTY 3)
22	0121M00038	MOTOR MOUNT BAND
32	0131M00637	MOTOR-1 HP PROGRAMMED EON (M11, M12)
32	0131M00632	MOTOR-1/2 HP PROGRAMMED EON (M3, M4, M5, M6)
32	0131M00633	MOTOR-1/2 HP PROGRAMMED EON (M1, M2)
32	0131M00635	MOTOR-3/4 HP PROGRAMMED EON (M7, M8, M9, M10)
32	0131M00634	PROGRAM-EON MOTOR 3/4 HP
32	0131M00461	PROGRAMMED MOTOR (M23)
32	0131M00462	PROGRAMMED MOTOR (M17, M18)
32	0131M00463	PROGRAMMED MOTOR (M19, M20)
32	0131M00464	PROGRAMMED MOTOR (M21)
32	0131M00465	PROGRAMMED MOTOR (M13)
32	0131M00466	PROGRAMMED MOTOR (M15)
32	0131M00616	PROGRAMMED MOTOR (M14)
32	0131M00619	PROGRAMMED MOTOR (M16)
32	0131M00622	PROGRAMMED MOTOR (M22)
32	0131M00625	PROGRAMMED MOTOR (M24)
42	D6723303	BLOWER WHEEL
52	764742	BLOWER BLOCK-OFF
92	0271G00024	BLOWER HOUSING ASSY 10 X 9
152	M0250565	TC SCREW 1.25" (QTY 5)
302	B1393323	MACHINE SCREW HWH 1/4-20 X 1-1/2 BZ
312	B1393800	LOCKNUT, NYLON, INSERT 1/4, 20