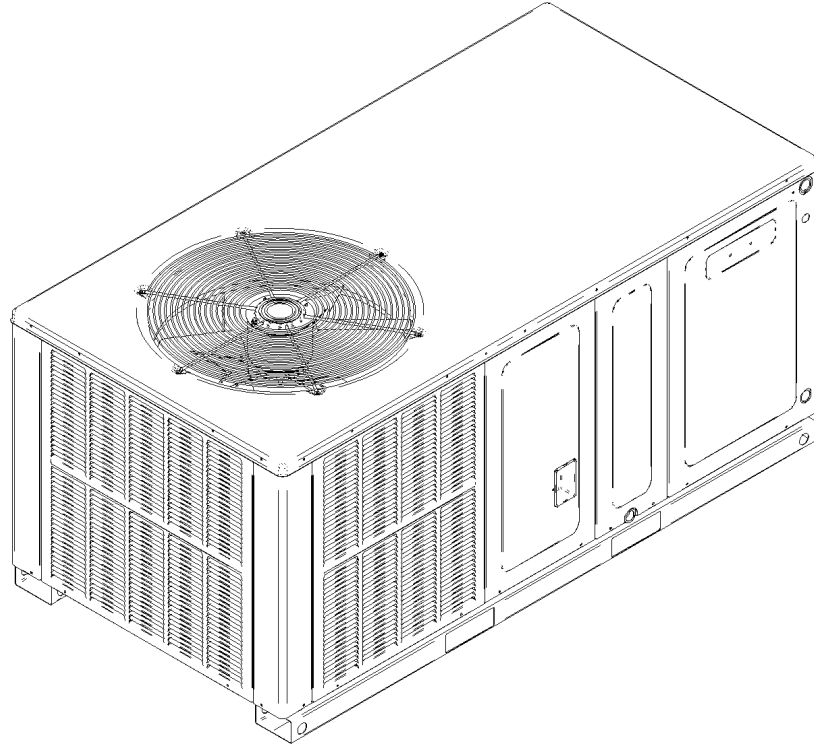


APH14 "H" Model Heat Pump

APH1424H41DA
APH1424H41DB
APH1430H41DA
APH1430H41DB
APH1436H41DA
APH1436H41DB
APH1442H41DA
APH1448H41DA
APH1460H41DA



Amana® is a registered trademark of Maytag Corporation or its related companies and is used under license to Goodman Company, L.P., Houston, TX, USA. All rights reserved.

This manual is to be used by qualified technicians only.

This manual replaces RP-829A.

© 2013-2014 Goodman Company, L.P. ♦ 5151 San Felipe St., Suite 500 ♦ Houston, TX 77056

Important Information

Index

Functional Parts List	3
Illustration and Parts	4 - 11

Views shown are for parts illustrations only, not servicing procedures

Rev A: Residential Package Heater Kit Changes

Text Codes:

AR - As Required

NA - Not Available

NS - Not Shown

00000000 - See Note

QTY - Quantity Example (QTY 3) (If Quantity not shown, Quantity = 1)

M - Model Example (M1) (If M Code not shown, then part is used on all Models)

Expanded Model Nomenclature:

Example M1 - Model#1 M2 - Model#2 M3 - Model#3

Goodman Company, L.P. is not responsible for personal injury or property damage resulting from improper service. Review all service information before beginning repairs.

Warranty service must be performed by an authorized technician, using authorized factory parts. If service is required after the warranty expires, Goodman Company, L.P. also recommends contacting an authorized technician and using authorized factory parts.

Goodman Company, L.P. reserves the right to discontinue, or change at any time, specifications or designs without notice or without incurring obligations.

For assistance within the U.S.A. contact:

Consumer Affairs Department
Goodman Company, L.P.
7401 Security Way
Houston, Texas 77040
877-254-4729-Telephone
713-863-2382-Facsimile

For assistance outside the U.S.A. contact:

International Division
Goodman Company, L.P.
7401 Security Way
Houston, Texas 77040
713-861-2500-Telephone
713-863-2382-Facsimile

Functional Parts

Part

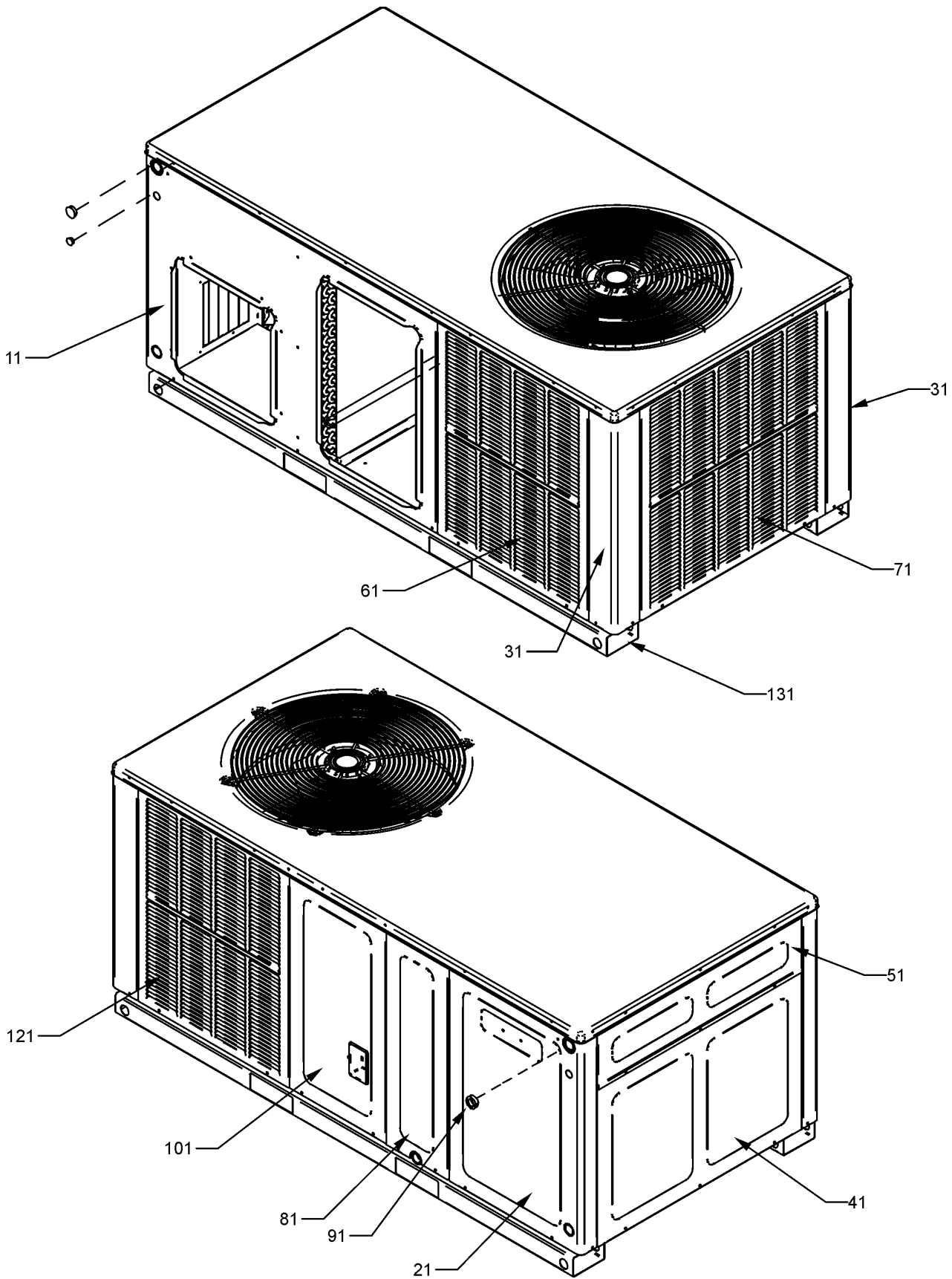
No: Description:

B1368016	BLOWER WHEEL 10 X 8 (M1, M2, M3, M4, M5, M6, M7, M8)
B1368054	BLOWER WHEEL 11 X 8 (M9)
CAP050400440CT	CAPACITOR 5/40/440V/DUAL RD (M1, M2, M3, M4)
CAP050450440CT	CAPACITOR 5/45/440V/DUAL RD (M5, M6, M7, M8)
CAP050700440CT	CAPACITOR 5/70/440V/DUAL RD (M9)
ZP21K5EPFV130	COMPRESSOR 21300, 208/230/60/1 (M1, M2)
ZP25K5EPFV130	COMPRESSOR 25200, 208/230/60/1 (M3, M4)
ZP31K5EPFV130	COMPRESSOR 31100, 208/230/60/1 (M5, M6)
ZP34K5EPFV130	COMPRESSOR 34500, 208/230/60/1 (M7)
ZP39K5EPFV130	COMPRESSOR 39000, 208/230/60/1 (M8)
ZP51K5EPFV130	COMPRESSOR 51000, 208/230/60/1 (M9)
0131M00061	COND MOTOR 1/4 HP, 1 SP, 8 PL (M5, M6)
0131M00429	COND MOTOR 1/4 HP, 1 SP, 6 PL (M7, M8, M9)
0131M00009P	COND MOTOR 1/6 HP, 1 SP, 8 PL (M1, M2, M3, M4)
CONT1P025024V	CONTACTOR 25 AMP, 1P, 24V (M1, M2, M3, M4, M5, M6)
CONT1P030024V	CONTACTOR 30 AMP, 1P, 24V (M7, M8)
CONT2P040024V	CONTACTOR 40 AMP, 2P, 24V (M9)
0130M00101	CONTROL, DEFROST (M7, M9)
0130M00099	CONTROL, DEFROST (M1, M2, M3, M4, M5, M6, M8)
0230G00005	CRANKCASE HEATER SWITCH (M9)
0130M00074	CUT-OUT SWITCH, HIGH PRESSURE
PCBDM133	DEFROST CONTROL BOARD
0150G00005	FAN BLADE (M1, M2, M3, M4)
0150G00004	FAN BLADE (M7, M8, M9)
B1086765	FAN BLADE TYPE 3 (M5, M6)
0163R00003	HEATER, CRANKCASE 230V 40W (M9)
0130M00075	LOW PRESSURE SWITCH
0131M00485	PROGRAMMED MOTOR (M8)
0131M00596	PROGRAMMED MOTOR (M5, M6)
0131M00598	PROGRAMMED MOTOR (M1, M2)
0131M00600	PROGRAMMED MOTOR (M3, M4)
0131M00602	PROGRAMMED MOTOR (M7)
0131M00604	PROGRAMMED MOTOR (M9)
0151R00069	REVERSING VALVE (M1, M2, M3, M4)
0151R00071	REVERSING VALVE (M5, M6, M7, M8, M9)
B1225022	SOLENOID COIL
0130M00138	TRANSFORMER 208/230, 24V

Expanded Model Nomenclature

M1 - APH1424H41DA
M2 - APH1424H41DB
M3 - APH1430H41DA
M4 - APH1430H41DB
M5 - APH1436H41DA
M6 - APH1436H41DB
M7 - APH1442H41DA
M8 - APH1448H41DA
M9 - APH1460H41DA

Cabinet Assembly



Cabinet Assembly

Ref. Part No: No:	Description:	Ref. Part No: No:	Description:
-------------------	--------------	-------------------	--------------

Image 1:

11	0121G00050PDG	DUCT PANEL 27.5" (M1, M2, M3, M4)
11	0121G00051PDG	DUCT PANEL 32.5" (M5, M6, M7)
11	0121G00084PDG	DUCT PANEL 36" (M8, M9)
21	0121G00521DG	CORNER PANEL 27.5" (M1, M2, M3, M4)
21	0121G00522DG	CORNER PANEL 32.5" (M5, M6, M7)
21	0121G00523DG	CORNER PANEL 36" (M8, M9)
31	0121G00047PDG	CORNER POST 27.5" (M1, M2, M3, M4)
31	0121G00048PDG	CORNER POST 32.5" (M5, M6, M7)
31	0121G00082PDG	CORNER POST 36" (M8, M9)
41	0121G00271DG	EXTERNAL BLOWER PANEL 27.5" (M1, M2, M3, M4)
41	0121G00272DG	EXTERNAL BLOWER PANEL 32.5" (M5, M6, M7)
41	0121G00273DG	EXTERNAL BLOWER PANEL 36" (M8, M9)
51	0121G00276DG	EXTERNAL CONTROL BOX PANEL
61	0121G00069PLG	LOUVERED PANEL 4 BANK 27.5" (M1, M2, M3, M4)
61	0121G00070PLG	LOUVERED PANEL 4 BANK 32.5" (M5, M6, M7)
61	0121G00090PLG	LOUVERED PANEL 4 BANK 36" (M8, M9)
71	0121G00072PLG	LOUVERED PANEL 5 BANK 27.5" (M1, M2, M3, M4)
71	0121G00073PLG	LOUVERED PANEL 5 BANK 32.5" (M5, M6, M7)
71	0121G00091PLG	LOUVERED PANEL 5 BANK 36" (M8, M9)
81	0121G00065PDG	EVAP PANEL 8.75" X 27.5" (M1, M2, M3, M4)
81	0121G00066PDG	EVAP PANEL 8.75" X 32.5" (M5, M6, M7)
81	0121G00089PDG	PNL, 36" EXT EVAP RMV (M8, M9)
91	B1392011	GROMMET / HS .62 - .45
101	0121G00062PDG	COMPRESSOR PANEL 13.68" X 27.50" (M1, M2, M3, M4)
101	0121G00060PDG	COMPRESSOR PANEL 8.75" X 32.50" (M5, M6, M7)
101	0121G00087PDG	COMPRESSOR PANEL 8.75" X 36" (M8, M9)
121	0121G00069PLG	LOUVERED PANEL 4 BANK 27.5" (M1, M2, M3, M4)
121	0121G00073PLG	LOUVERED PANEL 5 BANK 32.5" (M5, M6, M7)
121	0121G00091PLG	LOUVERED PANEL 5 BANK 36" (M8, M9)
131	0121G00044PRF	BASEPAN RAIL (QTY 2)

Expanded Model Nomenclature

- | |
|-------------------|
| M1 - APH1424H41DA |
| M2 - APH1424H41DB |
| M3 - APH1430H41DA |
| M4 - APH1430H41DB |
| M5 - APH1436H41DA |
| M6 - APH1436H41DB |
| M7 - APH1442H41DA |
| M8 - APH1448H41DA |
| M9 - APH1460H41DA |

Chassis Assembly

Image 1

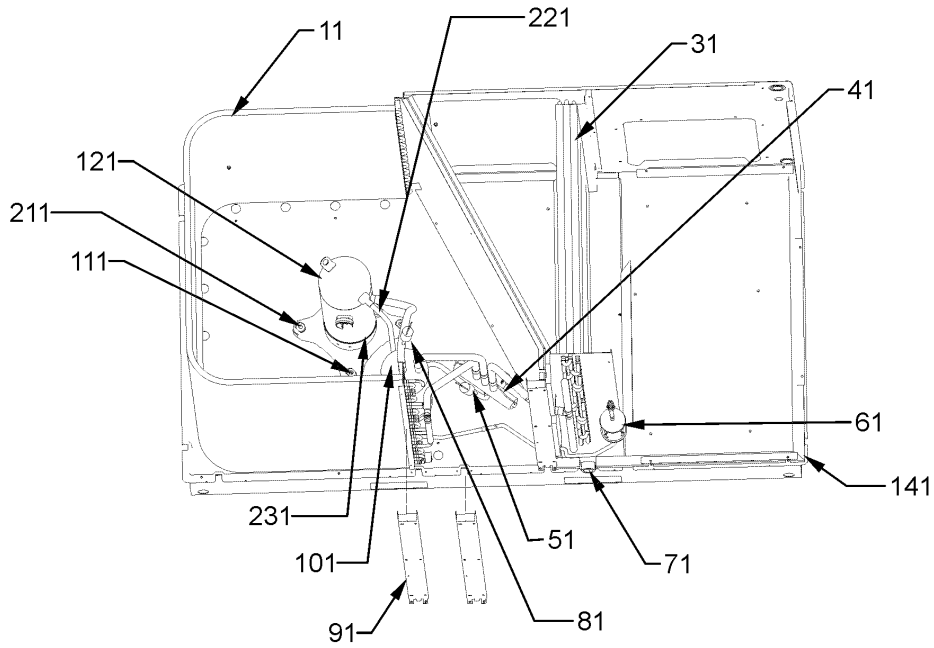


Image 2

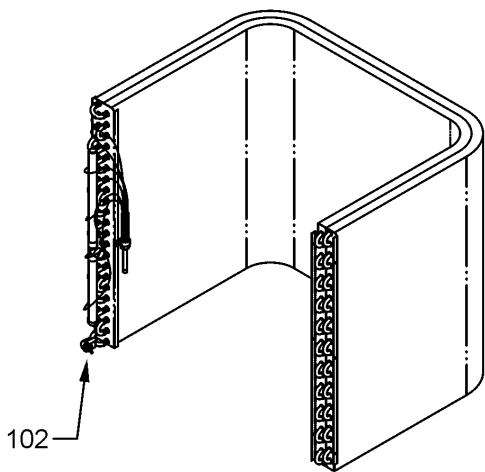
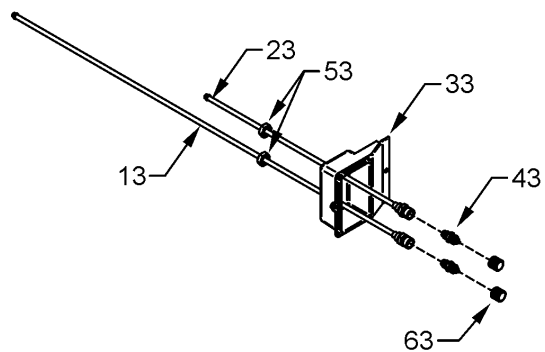


Image 3



Chassis Assembly

Ref. Part No: No:	Description:	Ref. Part No: No:	Description:
Image 1:		Expanded Model Nomenclature	
11	0201G00295	COND COIL TUBING ASSY (M8)	M1 - APH1424H41DA
11	0201G00298	COND COIL TUBING ASSY (M5, M6)	M2 - APH1424H41DB
11	0201G00322	COND COIL TUBING ASSY (M9)	M3 - APH1430H41DA
11	0201G00279	TUBING ASSY, COND COIL (M1, M2, M3, M4)	M4 - APH1430H41DB
11	0201G00294	TUBING ASSY, COND COIL (M7)	M5 - APH1436H41DA
31	0202G00478	EVAP COIL ASSY (M8)	M6 - APH1436H41DB
31	0202G00520	EVAP COIL ASSY (M9)	M7 - APH1442H41DA
31	0202G00481	TUBING ASSY, EVAP COIL (M1, M2)	M8 - APH1448H41DA
31	0202G00483	TUBING ASSY, EVAP COIL (M3, M4)	M9 - APH1460H41DA
31	0202G00516	TUBING ASSY, EVAP COIL (M5, M6)	
31	0202G00517	TUBING ASSY, EVAP COIL (M7)	
41	0151R00069	REVERSING VALVE (M1, M2, M3, M4)	
41	0151R00071	REVERSING VALVE (M5, M6, M7, M8, M9)	
51	0130M00074	CUT-OUT SWITCH, HIGH PRESSURE	
61	B1219204	BI-FLOW FILTER DRIER	
71	0161G00000P	PAN, DRIP	
81	0130M00075	LOW PRESSURE SWITCH	
91	0121G00045P	POST 27.5" (M1, M2, M3, M4)	
91	0121G00079P	POST 32.5" (M5, M6, M7)	
91	0121G00083P	POST 36" (M8, M9)	
101	B1226206	ACCUMULATOR (M1, M2, M3, M4)	
101	B1226207	ACCUMULATOR .875 (M5, M6, M7, M8, M9)	
111	B1339533	COMPRESSOR GROMMET (QTY 4)	
121	ZP21K5EPFV130	COMPRESSOR 21300, 208/230/60/1 (M1, M2)	
121	ZP25K5EPFV130	COMPRESSOR 25200, 208/230/60/1 (M3, M4)	
121	ZP31K5EPFV130	COMPRESSOR 31100, 208/230/60/1 (M5, M6)	
121	ZP34K5EPFV130	COMPRESSOR 34500, 208/230/60/1 (M7)	
121	ZP39K5EPFV130	COMPRESSOR 39000, 208/230/60/1 (M8)	
121	ZP51K5EPFV130	COMPRESSOR 51000, 208/230/60/1 (M9)	
141	0121G00046P	INSULATED ASSY, BASEPAN	
211	M0221641	TF SHOULDER SCREW (QTY 4)	
221	0230G00005	CRANKCASE HEATER SWITCH (M9)	
231	0163R00003	HEATER, CRANKCASE 230V 40W (M9)	
NS	0159G00004	COMPRESSOR SCROLL HARNESS	
NS	0121G00043P	EVAP DRIP SHIELD (M9)	
NS	0128G00052	EVAP DRIP SHIELD (M1, M2, M3, M4, M5, M6, M7, M8)	
NS	0162M00218	FLOWRATOR (M7)	
NS	0162M00219	FLOWRATOR (M5, M6)	
NS	0162M00220	FLOWRATOR (M1, M2)	
NS	0162M00221	FLOWRATOR (M3, M4)	
NS	0162M00021P	FLOWRATOR .047 (M1, M2, M3, M4)	
NS	0162M00098	FLOWRATOR .065 (M7)	
NS	0162M00012P	FLOWRATOR .071 [COND] (M9)	
NS	0162M00166	FLOWRATOR .076 [EVAP] (M8)	
NS	0162M00093	FLOWRATOR .088 (M9)	
NS	0162M00213	FLOWRATOR [COND] (M5, M6)	
NS	0162M00214	FLOWRATOR [COND] (M8)	
NS	B1225022	SOLENOID COIL	
Image 2:			
102	0130M00099	CONTROL, DEFROST (M1, M2, M3, M4, M5, M6, M8)	
102	0130M00101	CONTROL, DEFROST (M7, M9)	
Image 3:			
13	0210G00031P	PROCESS TUBE ASSY-SUCTION	
23	0210G00389	PROCESS TUBE ASSY-LIQUID	
33	0161G00008	ACCESS-FITTING BOX	
43	B1373315	ACCESS FITTING (QTY 2)	
53	0163G00000P	FASTEST FITTING NUT (QTY 2)	
63	0163M00175	CAP WITH O-RING (QTY 2)	

Top Panel and Control Box Assembly

Image 1

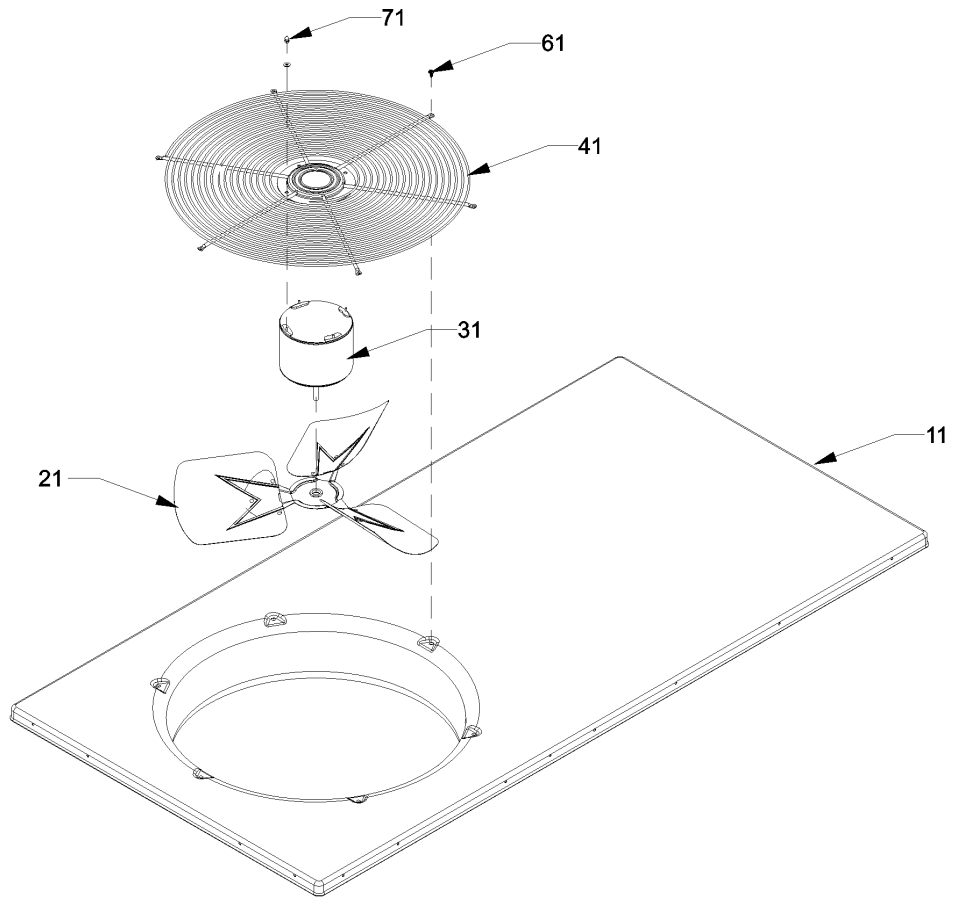
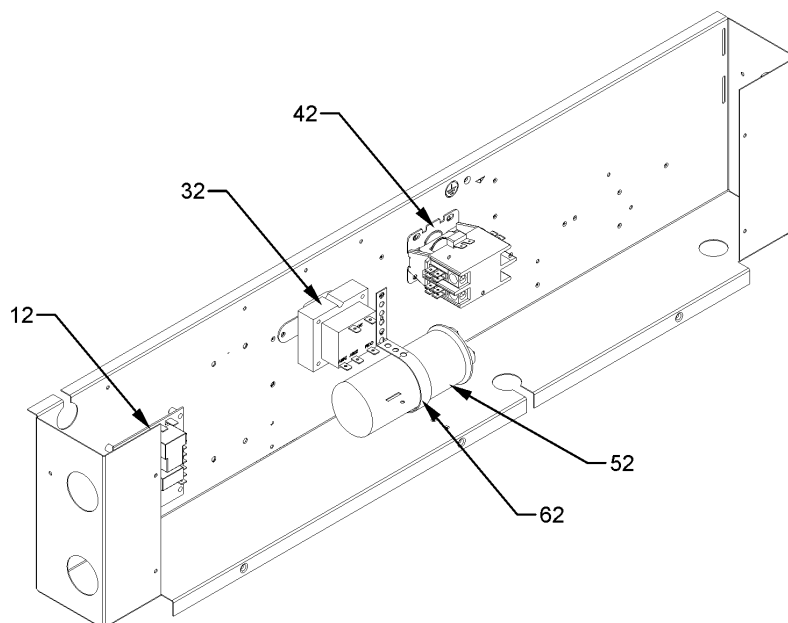


Image 2



Top Panel and Control Box Assembly

Ref. Part No: No:	Description:	Ref. Part No: No:	Description:
-------------------	--------------	-------------------	--------------

Image 1:

11	0121G00274DG	TOP PANEL PAINTED
21	0150G00004	FAN BLADE (M7, M8, M9)
21	0150G00005	FAN BLADE (M1, M2, M3, M4)
21	B1086765	FAN BLADE TYPE 3 (M5, M6)
31	0131M00061	COND MOTOR 1/4 HP, 1 SP, 8 PL (M5, M6)
31	0131M00429	COND MOTOR 1/4 HP, 1 SP, 6 PL (M7, M8, M9)
31	0131M00009P	COND MOTOR 1/6 HP, 1 SP, 8 PL (M1, M2, M3,
41	0152G00003	FAN GRILLE
61	M0221817	SMALL SCREW (QTY 6)
71	0163M00006P	ACORN NUT 5/16 HEX BLACK (QTY 4)
NS	17788000083F	PVC CONDUIT 8.25"

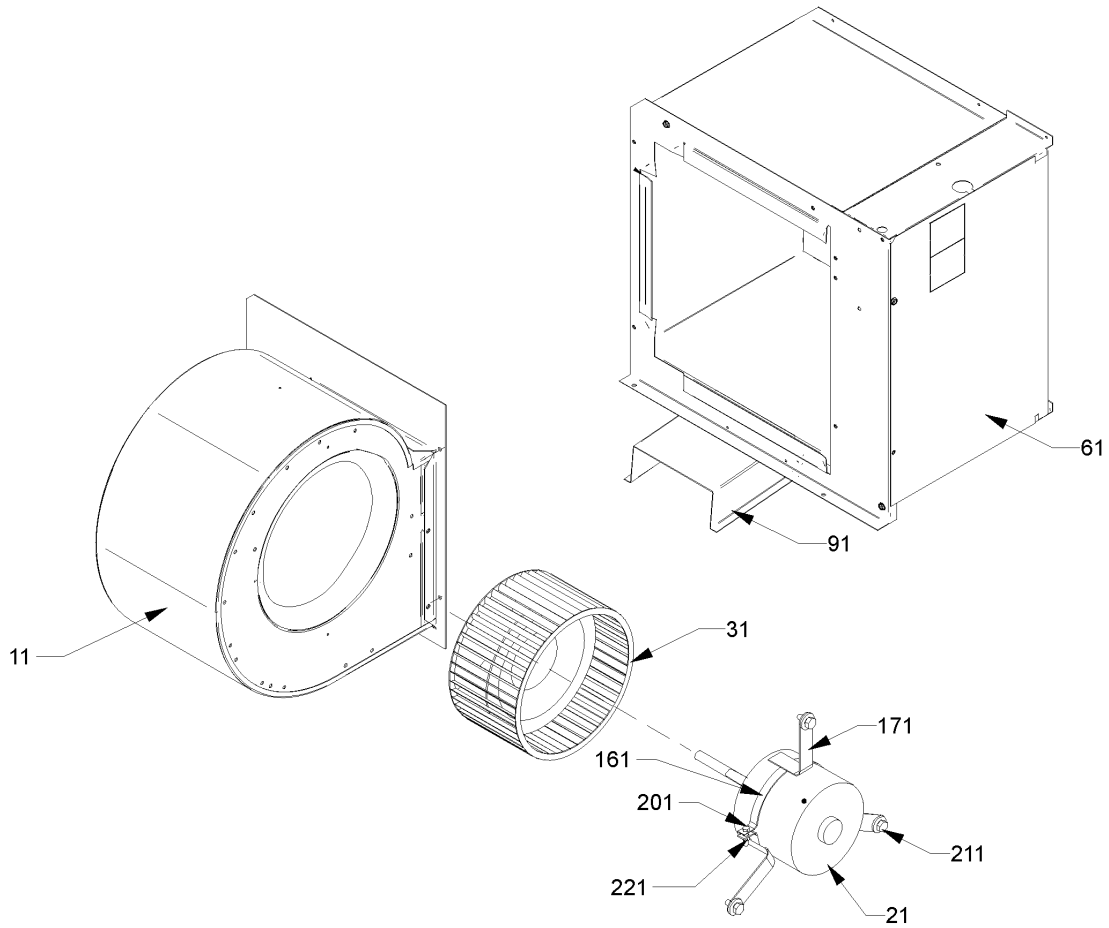
Image 2:

12	PCBDM133	DEFROST CONTROL BOARD
32	0130M00138	TRANSFORMER 208/230, 24V
42	CONT1P025024V	CONTACTOR 25 AMP, 1P, 24V (M1, M2, M3, M4, M5, M6)
42	CONT1P030024V	CONTACTOR 30 AMP, 1P, 24V (M7, M8)
42	CONT2P040024V	CONTACTOR 40 AMP, 2P, 24V (M9)
52	CAP050400440CT	CAPACITOR 5/40/440V/DUAL RD (M1, M2, M3, M4)
52	CAP050450440CT	CAPACITOR 5/45/440V/DUAL RD (M5, M6, M7, M8)
52	CAP050700440CT	CAPACITOR 5/70/440V/DUAL RD (M9)
62	20520901	CAPACITOR STRAP
NS	B1392012	GROMMET / HS 1.0 - .79
NS	0259G00003	WIRE HARNESS, ELECTRIC HEAT

Expanded Model Nomenclature

M1 - APH1424H41DA
M2 - APH1424H41DB
M3 - APH1430H41DA
M4 - APH1430H41DB
M5 - APH1436H41DA
M6 - APH1436H41DB
M7 - APH1442H41DA
M8 - APH1448H41DA
M9 - APH1460H41DA

Blower Assembly



Blower Assembly

Ref. Part No:	No:	Description:	Ref. Part No:	No:	Description:
Image 1:					
11	10324248	BLOWER HOUSING 10 X 8 (M1, M2, M3, M4, M5, M6, M7, M8)			
11	0271G00017	BLOWER HOUSING 11 X 8 (M9)			
21	0131M00485	PROGRAMMED MOTOR (M8)			
21	0131M00596	PROGRAMMED MOTOR (M5, M6)			
21	0131M00598	PROGRAMMED MOTOR (M1, M2)			
21	0131M00600	PROGRAMMED MOTOR (M3, M4)			
21	0131M00602	PROGRAMMED MOTOR (M7)			
21	0131M00604	PROGRAMMED MOTOR (M9)			
31	B1368016	BLOWER WHEEL 10 X 8 (M1, M2, M3, M4, M5, M6, M7, M8)			
31	B1368054	BLOWER WHEEL 11 X 8 (M9)			
61	0121G00039P	HEATER KIT COVER			
91	0121G00040P	BLOWER SUPPORT			
161	0121M00038	MOTOR MOUNT BAND			
171	B1376853	MOTOR MOUNT ARM (M1, M2, M3, M4, M5, M6, M7, M8)			
171	B1376857	MOTOR MOUNT ARM (M9)			
201	B1393323	MACHINE SCREW HWH 1/4-20 X 1-1/2 BZ			
211	M0250565	TC SCREW 1.25" (QTY 3)			
221	B1393800	LOCKNUT, NYLON, INSERT 1/4, 20			
NS	C6121810	BLOWER CUT-OFF (M1, M2, M3, M4, M5, M6, M7, M8)			
NS	2964700	BLOWER CUT-OFF 11 X 8 (M9)			

Expanded Model Nomenclature

M1 - APH1424H41DA
M2 - APH1424H41DB
M3 - APH1430H41DA
M4 - APH1430H41DB
M5 - APH1436H41DA
M6 - APH1436H41DB
M7 - APH1442H41DA
M8 - APH1448H41DA
M9 - APH1460H41DA