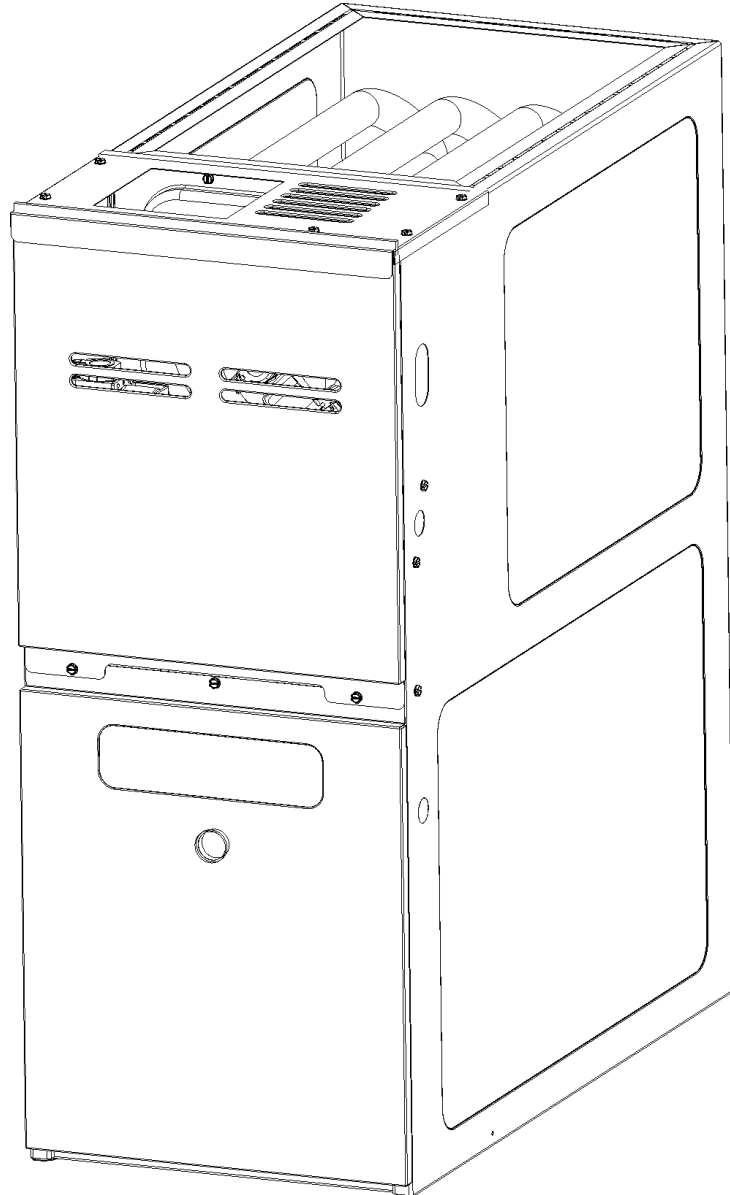


## AMH8 80% Upflow Hybrid Furnace

AMH80403ANBA  
AMH80403ANBB  
AMH80403AXBA  
AMH80403AXBB  
AMH80603ANBA  
AMH80603ANBB  
AMH80603AXBA  
AMH80603AXBB  
AMH80604BNBA  
AMH80604BNBB  
AMH80604BXBA  
AMH80604BXBB  
AMH80803BNBA  
AMH80803BNBB  
AMH80803BXBA  
AMH80803BXBB  
AMH80804BNBA  
AMH80804BNBB  
AMH80804BXBA  
AMH80804BXBB  
AMH80805CNBA  
AMH80805CNBB  
AMH80805CXBA  
AMH80805CXBB  
AMH81005CNBA  
AMH81005CNBB  
AMH81005CXBA  
AMH81005CXBB  
AMH81205DNBA  
AMH81205DXBA



TX 77056

Amana is a registered trademark of Maytag Corporation or its related companies and is used under license to Goodman Company, L.P., Houston, TX. All rights reserved.

This manual is to be used by qualified technicians only.

This manual replaces RP-672.

© 2012-2013 Goodman Company, L.P. ♦ 5151 San Felipe St., Suite 500 ♦ Houston, TX 77056

# Important Information

---

## Index

Functional Parts List .....	3
Illustration and Parts .....	4 - 11

*Views shown are for parts illustrations only, not servicing procedures.*

### Text Codes:

AR - As Required

NA - Not Available

NS - Not Shown

00000000 - See Note

QTY - Quantity Example (QTY 3) (If Quantity not shown, Quantity = 1)

M - Model Example (M1) (If M Code not shown, then part is used on all Models)

### Expanded Model Nomenclature:

Example M1 - Model#1 M2 - Model#2 M3 - Model#3
---

Goodman Company, L.P. is not responsible for personal injury or property damage resulting from improper service. Review all service information before beginning repairs.

Warranty service must be performed by an authorized technician, using authorized factory parts. If service is required after the warranty expires, Goodman Company, L.P. also recommends contacting an authorized technician and using authorized factory parts.

Goodman Company, L.P. reserves the right to discontinue, or change at any time, specifications or designs without notice or without incurring obligations.

For assistance within the U.S.A. contact:

Consumer Affairs Department  
Goodman Company, L.P.  
7401 Security Way  
Houston, Texas 77040  
877-254-4729-Telephone  
713-863-2382-Facsimile

For assistance outside the U.S.A. contact:

International Division  
Goodman Company, L.P.  
7401 Security Way  
Houston, Texas 77040  
713-861-2500-Telephone  
713-863-2382-Facsimile

# Functional Parts

## Part

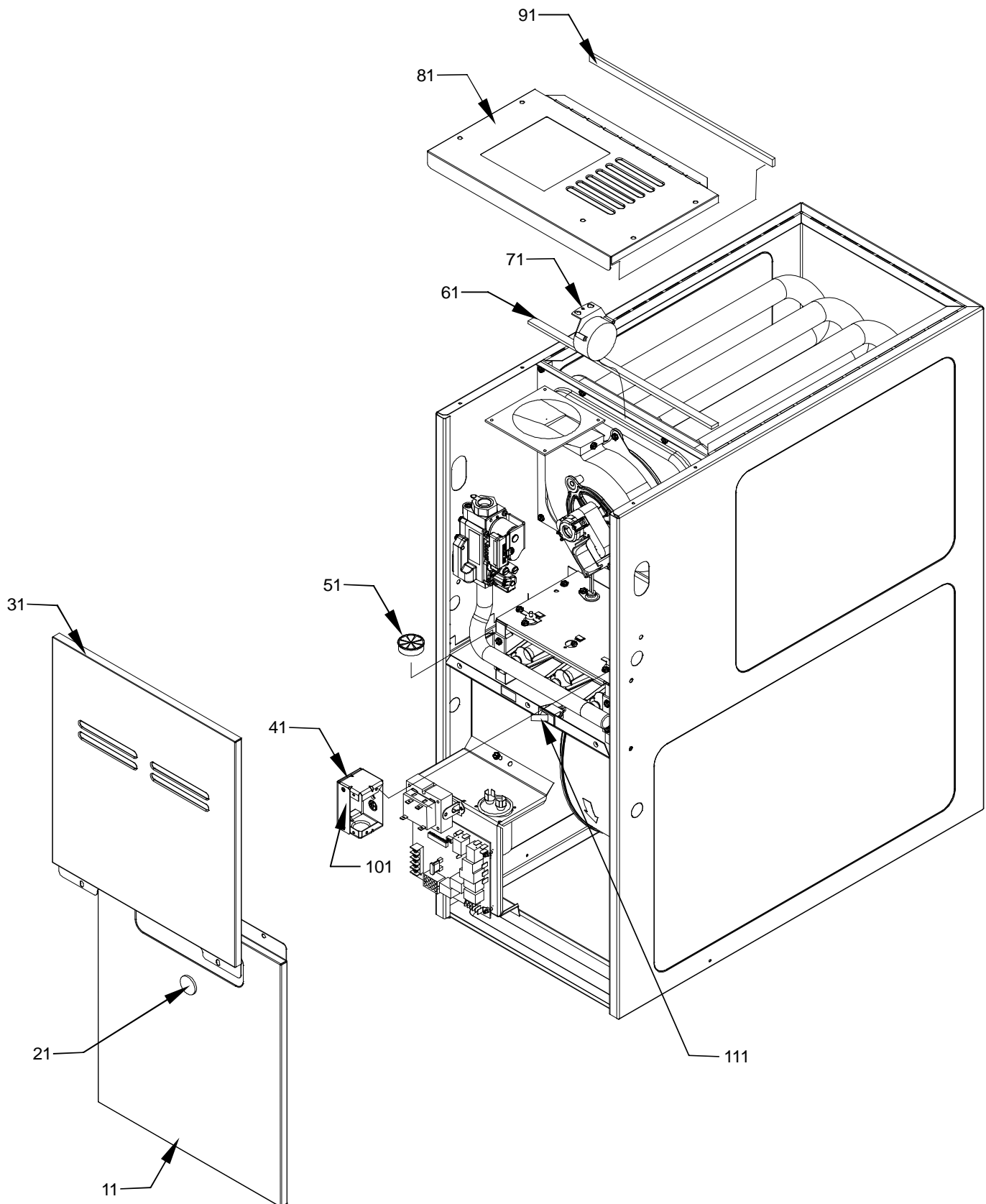
## No: Description:

Part No:	Description:	Expanded Model Nomenclature
0131F00022	BLOWER MOTOR 1/2 HP, 4 SP, 6 PL (M9, M10, M11, M12, M17, M18, M19, M20, M21, M22, M23, M24, M25, M26, M27, M28)	M1 - AMH80403ANBA M2 - AMH80403ANBB
0131F00020	BLOWER MOTOR 1/3 HP, 4 SP, 6 PL (M13, M14, M15, M16)	M3 - AMH80403AXBA M4 - AMH80403AXBB
20046618	BLOWER MOTOR 3/4 HP (M29, M30)	M5 - AMH80603ANBA
0131F00027	BLOWER MOTOR, 1/3HP, 4SP, 6PL (M2, M4)	M6 - AMH80603ANBB
0131F00021	BLOWER MOTOR, 1/3HP, 4SP, 6PL (M1, M3, M5, M6, M7, M8)	M7 - AMH80603AXBA M8 - AMH80603AXBB
B1368034	BLOWER WHEEL 10 X 6 (M1, M2, M3, M4, M5, M6, M7, M8)	M9 - AMH80604BNBA
B1368058	BLOWER WHEEL 10 X 8 (M13, M14, M15, M16)	M10 - AMH80604BNBB M11 - AMH80604BXBA
B1368016	BLOWER WHEEL 10 X 8 (M9, M10, M11, M12, M17, M18, M19, M20)	M12 - AMH80604BXBB
B1368000	BLOWER WHEEL 11 X 10 (M29, M30)	M13 - AMH80803BNBA M14 - AMH80803BNBB
CAP125000370RPP	CAP, 12.5 MFD/370V/ RD (M1, M2, M3, M4, M5, M6, M7, M8, M13, M14, M15, M16)	M15 - AMH80803BXBA M16 - AMH80803BXBB
CAP200000370CP	CAP, 20 MFD/370V/ RD (M9, M10, M11, M12, M17, M18, M19, M20, M21, M22, M23, M24, M25, M26, M27, M28)	M17 - AMH80804BNBA M18 - AMH80804BNBB
CAP250000370RPP	CAP, 25 MFD/370V/ RD (M29, M30)	M19 - AMH80804BXBA M20 - AMH80804BXBB
0130F00010	FLAME SENSOR	M21 - AMH80805CNBA
B1370818	INTERLOCK SWITCH	M22 - AMH80805CNBB
20162901	LIMIT (M1, M2, M3, M4)	M23 - AMH80805CXBA
10123529	MANUAL RESET LIMIT (QTY 2)	M24 - AMH80805CXBB
PCBBF132	PCB 2STAGE HYBRID FURNACE CNTL	M25 - AMH81005CNBA
0130F00042	PRESSURE SWITCH (M1, M3, M5, M7, M13, M15, M17, M19, M21, M23, M25, M27, M29, M30)	M26 - AMH81005CNBB M27 - AMH81005CXBA
0130F00041	PRESSURE SWITCH (M9, M11)	M28 - AMH81005CXBB
B1370179	PRESSURE SWITCH (M6, M8, M10, M12, M22, M24)	M29 - AMH81205DNBA
B1370158	PRESSURE SWITCH -0.70" WC (M2, M4, M14, M16, M18, M20, M26, M28)	M30 - AMH81205DXBA
20162903	PRIMARY LIMIT - BLUE (M21, M22, M23, M24, M29, M30)	
0130F00038	PRIMARY LIMIT - LT BLUE 120°	
20162904	PRIMARY LIMIT-TEMPERATURE CONTROL (M5, M6, M7, M8, M9, M10, M11, M12, M13, M14, M15, M16, M17, M18, M19, M20, M25, M26, M27, M28)	
0130F00008	SINI IGNITOR	
0130M00140	TRANSFORMER,(120V TO 24V,40VA,	
0151M00028	VALVE,GAS(HW)VR92	
0131M00002	VENT MOTOR	
0150M00035	WHEEL, BLOWER 10 X 10 (M21, M22, M23, M24, M25, M26, M27, M28)	

## SPECIAL PARTS

0161F00006 AMANA NAMEPLATE

# Cabinet



# Cabinet

**Ref. Part  
No: No:**

**Description:**

**Ref. Part  
No: No:**

**Description:**

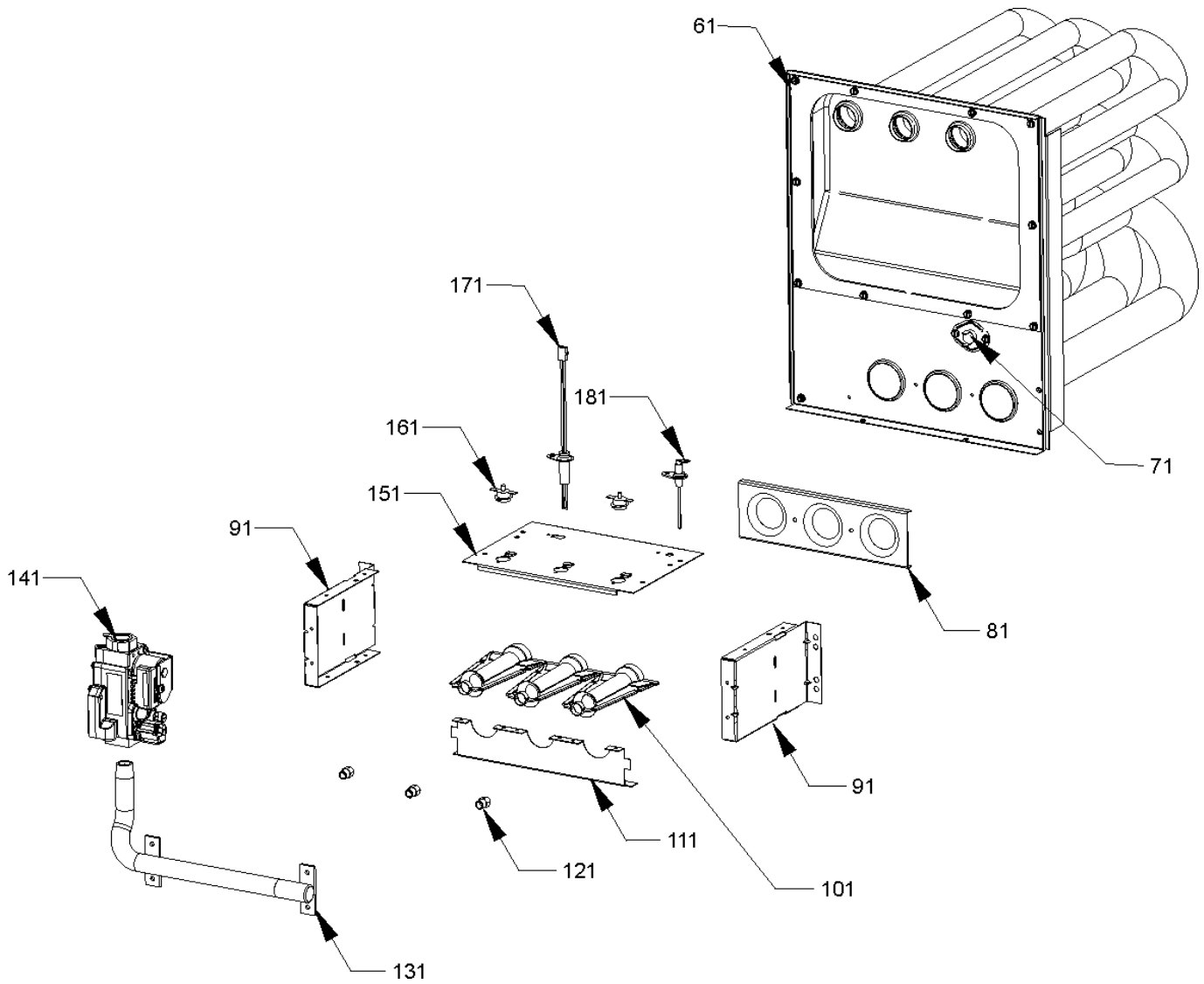
*Image 1:*

11	0121F00122LG	BLOWER ACCESS DOOR 14" (M1, M2, M3, M4, M5, M6, M7, M8)
11	0121F00123LG	BLOWER ACCESS DOOR 17.5" (M9, M10, M11, M12, M13, M14, M15, M16, M17, M18, M19, M20)
11	0121F00124LG	BLOWER ACCESS DOOR 21" (M21, M22, M23, M24, M25, M26, M27, M28)
11	0121F00125LG	BLOWER ACCESS DOOR 24.5" (M29, M30)
21	B1392139	VIEW PORT BUSHING-BLOWER DOOR
31	0121F00118LG	CONTROL ACCESS DOOR 14" (M1, M2, M3, M4, M5, M6, M7, M8)
31	0121F00119DG	CONTROL ACCESS DOOR 17.5" (M9, M10, M11, M12, M13, M14, M15, M16, M17, M18, M19, M20)
31	0121F00120LG	CONTROL ACCESS DOOR 21" (M21, M22, M23, M24, M25, M26, M27, M28)
31	0121F00121LG	CONTROL ACCESS DOOR 24.5" (M29, M30)
41	4014502	J-BOX
51	B1392147	UNIVERSAL BUSHING WITH SLICE
61	A3468601	PRESSURE SWITCH HOSE
71	0130F00041	PRESSURE SWITCH (M9, M11)
71	0130F00042	PRESSURE SWITCH (M1, M3, M5, M7, M13, M15, M17, M19, M21, M23, M25, M27, M29, M30)
71	B1370179	PRESSURE SWITCH (M6, M8, M10, M12, M22, M24)
71	B1370158	PRESSURE SWITCH -0.70" WC (M2, M4, M14, M16, M18, M20, M26, M28)
81	0121F00141DG	TOP 14" (M1, M2, M3, M4, M5, M6, M7, M8)
81	0121F00142DG	TOP 17.5" (M9, M10, M11, M12, M13, M14, M15, M16, M17, M18, M19, M20)
81	0121F00143DG	TOP 21" (M21, M22, M23, M24, M25, M26, M27, M28)
81	0121F00463DG	TOP, FURNACE 24.5" (M29, M30)
91	B13926111	SEAL STRIP, 1/8 X 1/2 X 14 (M1, M2, M3, M4, M5, M6, M7, M8)
91	B13926112	SEAL STRIP, 1/8 X 1/2 X 17.5 (M9, M10, M11, M12, M13, M14, M15, M16, M17, M18, M19, M20)
91	B13926113	SEAL STRIP, 1/8 X 1/2 X 21 (M21, M22, M23, M24, M25, M26, M27, M28)
91	B13926114	SEAL STRIP, 1/8 X 1/2 X 24.5 (M29, M30)
101	4015502	J-BOX COVER
111	B1370818	INTERLOCK SWITCH
NS	0161F00006	AMANA NAMEPLATE
NS	0270K00015	SOLID BOTTOM 14" CASE (M1, M2, M3, M4, M5, M6, M7, M8)
NS	0270K00016	SOLID BOTTOM 17.5" CASE (M9, M10, M11, M12, M13, M14, M15, M16, M17, M18, M19, M20)
NS	1819002	SOLID BOTTOM 21" CASE (M21, M22, M23, M24, M25, M26, M27, M28)
NS	0270K00018	SOLID BOTTOM 24.5" CASE (M29, M30)

Expanded Model Nomenclature

M1 - AMH80403ANBA
M2 - AMH80403ANBB
M3 - AMH80403AXBA
M4 - AMH80403AXBB
M5 - AMH80603ANBA
M6 - AMH80603ANBB
M7 - AMH80603AXBA
M8 - AMH80603AXBB
M9 - AMH80604BNBA
M10 - AMH80604BNBB
M11 - AMH80604BXBA
M12 - AMH80604BXBB
M13 - AMH80803BNBA
M14 - AMH80803BNBB
M15 - AMH80803BXBA
M16 - AMH80803BXBB
M17 - AMH80804BNBA
M18 - AMH80804BNBB
M19 - AMH80804BXBA
M20 - AMH80804BXBB
M21 - AMH80805CNBA
M22 - AMH80805CNBB
M23 - AMH80805CXBA
M24 - AMH80805CXBB
M25 - AMH81005CNBA
M26 - AMH81005CNBB
M27 - AMH81005CXBA
M28 - AMH81005CXBB
M29 - AMH81205DNBA
M30 - AMH81205DXBA

# Heat Exchanger Assy



# Heat Exchanger Assy

Ref. Part  
No: No:

Description:

Ref. Part  
No: No:

Description:

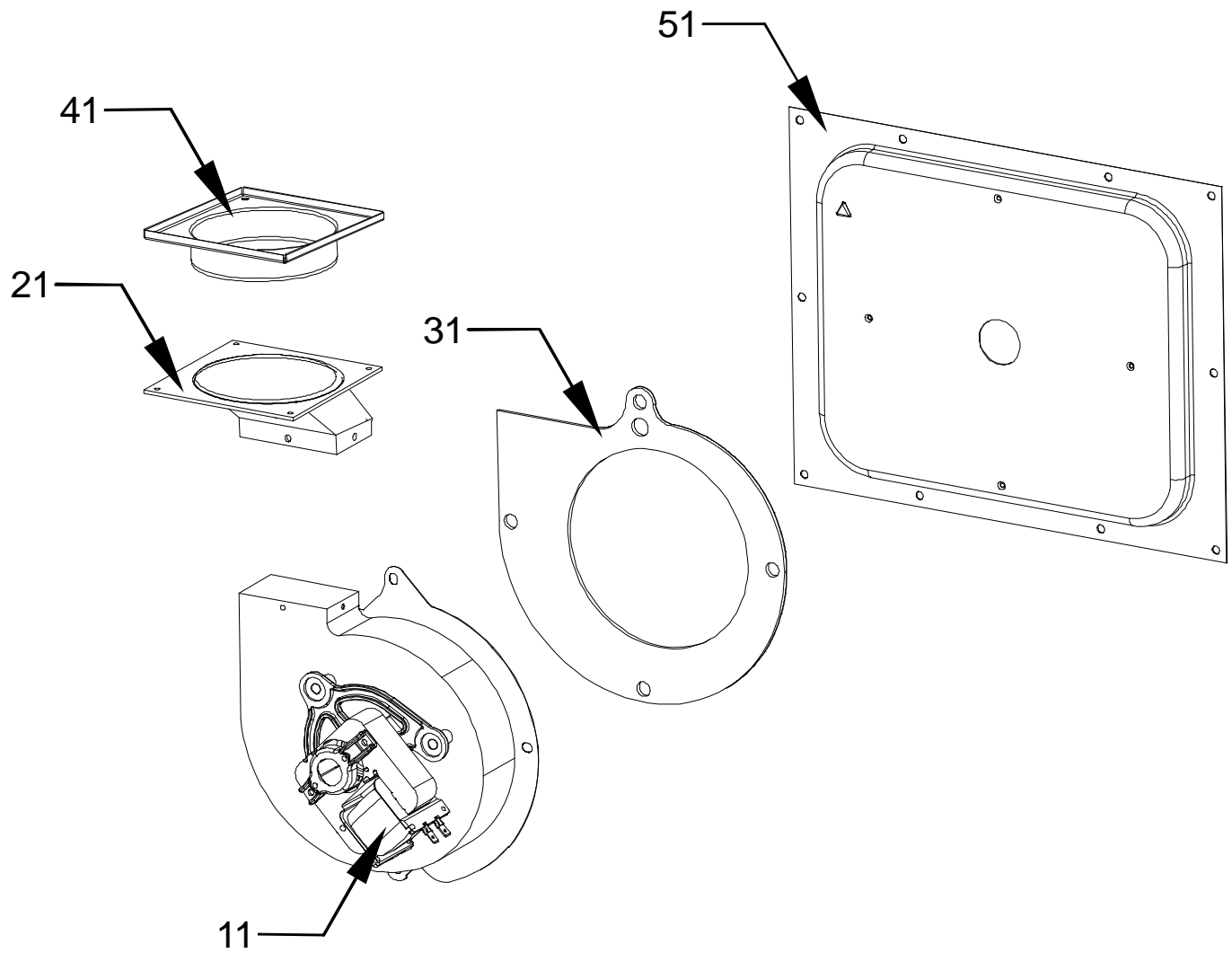
Image 1:

61	0270F00931	HEAT EXCHANGER ASSY (M1, M2, M3, M4)
61	0270F00932	HEAT EXCHANGER ASSY (M5, M6, M7, M8)
61	0270F00933	HEAT EXCHANGER ASSY (M9, M10, M11, M12)
61	0270F00934	HEAT EXCHANGER ASSY (M13, M14, M15, M16, M17, M18, M19, M20)
61	0270F00935	HEAT EXCHANGER ASSY (M21, M22, M23, M24)
61	0270F00936	HEAT EXCHANGER ASSY (M25, M26, M27, M28)
61	0270F00937	HEAT EXCHANGER ASSY (M29, M30)
71	20162901	LIMIT (M1, M2, M3, M4)
71	20162903	PRIMARY LIMIT - BLUE (M21, M22, M23, M24, M29, M30)
71	20162904	PRIMARY LIMIT-TEMPERATURE CONTROL (M5, M6, M7, M8, M9, M10, M11, M12, M13, M14, M15, M16, M17, M18, M19, M20, M25, M26, M27, M28)
81	4028000	ORIFICE SHIELD 2 CELL (M1, M2, M3, M4)
81	4028001	ORIFICE SHIELD 3 CELL (M5, M6, M7, M8, M9, M10, M11, M12)
81	4028002	ORIFICE SHIELD 4 CELL (M13, M14, M15, M16, M17, M18, M19, M20, M21, M22, M23, M24)
81	4028003	ORIFICE SHIELD 5 CELL (M25, M26, M27, M28)
81	4028004	ORIFICE SHIELD 6 CELL (M29, M30)
91	0121F00146	BURNER BOX SIDE (QTY 2)
101	B4022700	INSHOT BURNER ASSY 3" (QTY A/R)
111	0121F00167	BURNER BRACKET 2B (M1, M2, M3, M4)
111	0121F00168	BURNER BRACKET 3B (M5, M6, M7, M8, M9, M10, M11, M12)
111	0121F00169	BURNER BRACKET 4B (M13, M14, M15, M16, M17, M18, M19, M20, M21, M22, M23, M24)
111	0121F00170	BURNER BRACKET 5B (M25, M26, M27, M28)
111	0121F00171	BURNER BRACKET 6B (M29, M30)
121	B4089345	ORIFICE (QTY A/R)
131	0120F00006	MANIFOLD (M1, M2, M3, M4)
131	0120F00007	MANIFOLD (M5, M6, M7, M8, M9, M10, M11, M12)
131	0120F00008	MANIFOLD (M13, M14, M15, M16, M17, M18, M19, M20, M21, M22, M23, M24)
131	0120F00009	MANIFOLD (M25, M26, M27, M28)
131	0120F00010	MANIFOLD (M29, M30)
141	0151M00028	VALVE,GAS(HW)VR92
151	0121F00162	BURNER BOX TOP 2 CELL (M1, M2, M3, M4)
151	0121F00163	BURNER BOX TOP 3 CELL (M5, M6, M7, M8, M9, M10, M11, M12)
151	0121F00164	BURNER BOX TOP 4 CELL (M13, M14, M15, M16, M17, M18, M19, M20, M21, M22, M23, M24)
151	0121F00165	BURNER BOX TOP 5 CELL (M25, M26, M27, M28)
151	0121F00166	BURNER BOX TOP 6 CELL (M29, M30)
161	10123529	MANUAL RESET LIMIT (QTY 2)
171	0130F00008	SINI IGNITOR
181	0130F00010	FLAME SENSOR
NS	0259F00020	HARNESS, WIRE IGNITOR HYBRID
NS	0259F00050	KIT, WIRE HYBRID FURN
NS	0259F00073	WIRE HARNESS ASSY (M21, M22, M23, M24, M25, M26, M27, M28, M29, M30)
NS	0259F00085	WIRE HARNESS ASSY (M1, M2, M3, M4, M5, M6, M7, M8, M9, M10, M11, M12, M13, M14, M15, M16, M17, M18, M19, M20)

Expanded Model Nomenclature

M1 - AMH80403ANBA
M2 - AMH80403ANBB
M3 - AMH80403AXBA
M4 - AMH80403AXBB
M5 - AMH80603ANBA
M6 - AMH80603ANBB
M7 - AMH80603AXBA
M8 - AMH80603AXBB
M9 - AMH80604BNBA
M10 - AMH80604BNBB
M11 - AMH80604BXBA
M12 - AMH80604BXBB
M13 - AMH80803BNBA
M14 - AMH80803BNBB
M15 - AMH80803BXBA
M16 - AMH80803BXBB
M17 - AMH80804BNBA
M18 - AMH80804BNBB
M19 - AMH80804BXBA
M20 - AMH80804BXBB
M21 - AMH80805CNBA
M22 - AMH80805CNBB
M23 - AMH80805CXBA
M24 - AMH80805CXBB
M25 - AMH81005CNBA
M26 - AMH81005CNBB
M27 - AMH81005CXBA
M28 - AMH81005CXBB
M29 - AMH81205DNBA
M30 - AMH81205DXBA

# Collector Box Assy





# Collector Box Assy

Ref. Part No: No:	Description:	Ref. Part No: No:	Description:
-------------------	--------------	-------------------	--------------

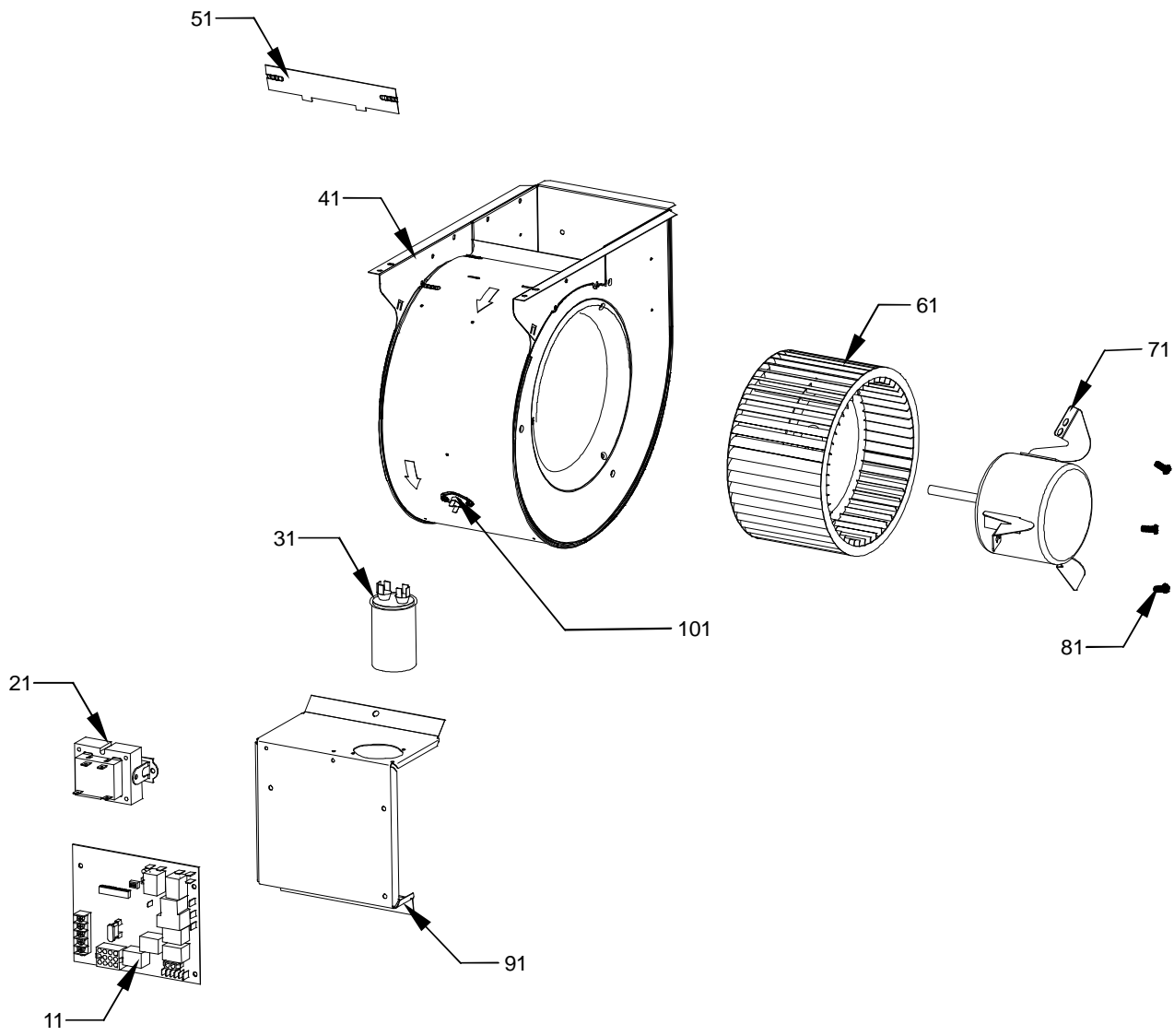
Image 1:

11	0131M00002	VENT MOTOR
21	0128F00006	CHIMNEY TRANSITION BOTTOM
31	0154F00003	VENT MOTOR GASKET 14" (M1, M2, M3, M4, M5, M6, M7, M8)
31	0154F00004	VENT MOTOR GASKET 17.5" (M9, M10, M11, M12, M13, M14, M15, M16, M17, M18, M19, M20)
31	0154F00005	VENT MOTOR GASKET 21" (M21, M22, M23, M24, M25, M26, M27, M28)
31	0154F00006	VENT MOTOR GASKET 24.5" (M29, M30)
41	4023500	CHIMNEY TRANSITION TOP
51	0121F00327	14" COLLECTOR BOX 1.125" DIA (M1, M3)
51	0121F00335	14" FLUE COLLECTOR BOX 1.250" (M5, M7)
51	0121F00328	17.5" COLLECTOR BOX 1.250" DIA (M9, M11)
51	0121F00331	17.5" COLLECTOR BOX 1.500" DIA (M13, M15, M17, M19)
51	0121F00333	21" COLLECTOR BOX 1.75" DIA (M22, M24, M25, M26, M27, M28)
51	0121F00336	21" FLUE COLLECTOR BOX 1.50" (M21, M23)
51	0121F00330	24.5" COLLECTOR BOX 2.125" DIA (M29, M30)
51	0121F00126	FLUE COLLECTOR BOX KIT 14" 1.25 DIA (M2, M4)
51	0121F00198	FLUE COLLECTOR BOX KIT 14" 1.75 DIA (M6, M8)
51	0121F00128	FLUE COLLECTOR BOX KIT 17.5" 1.75 DIA (M10, M12, M14, M16, M18, M20)

Expanded Model Nomenclature

M1 - AMH80403ANBA
M2 - AMH80403ANBB
M3 - AMH80403AXBA
M4 - AMH80403AXBB
M5 - AMH80603ANBA
M6 - AMH80603ANBB
M7 - AMH80603AXBA
M8 - AMH80603AXBB
M9 - AMH80604BNBA
M10 - AMH80604BNBB
M11 - AMH80604BXBA
M12 - AMH80604BXBB
M13 - AMH80803BNBA
M14 - AMH80803BNBB
M15 - AMH80803BXBA
M16 - AMH80803BXBB
M17 - AMH80804BNBA
M18 - AMH80804BNBB
M19 - AMH80804BXBA
M20 - AMH80804BXBB
M21 - AMH80805CNBA
M22 - AMH80805CNBB
M23 - AMH80805CXBA
M24 - AMH80805CXBB
M25 - AMH81005CNBA
M26 - AMH81005CNBB
M27 - AMH81005CXBA
M28 - AMH81005CXBB
M29 - AMH81205DNBA
M30 - AMH81205DXBA

# Blower and Control Panel



# Blower and Control Panel

**Ref. Part  
No: No:**

**Description:**

**Ref. Part  
No: No:**

**Description:**

*Image 1:*

11	PCBBF132	PCB 2STAGE HYBRID FURNACE CNTL
21	0130M00140	TRANSFORMER,(120V TO 24V,40VA,
31	CAP125000370RPP	CAP, 12.5 MFD/370V/ RD (M1, M2, M3, M4, M5, M6, M7, M8, M13, M14, M15, M16)
31	CAP200000370CP	CAP, 20 MFD/370V/ RD (M9, M10, M11, M12, M17, M18, M19, M20, M21, M22, M23, M24, M25, M26, M27, M28)
31	CAP250000370RPP	CAP, 25 MFD/370V/ RD (M29, M30)
41	2539307	BLOWER HOUSING 10 X 10 (M21, M22, M23, M24, M25, M26, M27, M28, M29, M30)
41	2539305	BLOWER HOUSING 10 X 6 (M1, M2, M3, M4, M5, M6, M7, M8)
41	2539306	BLOWER HOUSING 10 X 8 (M9, M10, M11, M12, M13, M14, M15, M16, M17, M18, M19, M20)
51	764741F	BLOWER BLOCK-OFF 10 X 10 (M21, M22, M23, M24, M25, M26, M27, M28, M29, M30)
51	764740	BLOWER BLOCK-OFF 10 X 8 (M9, M10, M11, M12, M13, M14, M15, M16, M17, M18, M19, M20)
51	764739	BLOWER CUT-OFF 10 X 6 (M1, M2, M3, M4, M5, M6, M7, M8)
61	B1368034	BLOWER WHEEL 10 X 6 (M1, M2, M3, M4, M5, M6, M7, M8)
61	B1368016	BLOWER WHEEL 10 X 8 (M9, M10, M11, M12, M17, M18, M19, M20)
61	B1368058	BLOWER WHEEL 10 X 8 (M13, M14, M15, M16)
61	B1368000	BLOWER WHEEL 11 X 10 (M29, M30)
61	0150M00035	WHEEL, BLOWER 10 X 10 (M21, M22, M23, M24, M25, M26, M27, M28)
71	0131F00022	BLOWER MOTOR 1/2 HP, 4 SP, 6 PL (M9, M10, M11, M12, M17, M18, M19, M20, M21, M22, M23, M24, M25, M26, M27, M28)
71	0131F00020	BLOWER MOTOR 1/3 HP, 4 SP, 6 PL (M13, M14, M15, M16)
71	20046618	BLOWER MOTOR 3/4 HP (M29, M30)
71	0131F00021	BLOWER MOTOR, 1/3HP, 4SP, 6PL (M1, M3, M5, M6, M7, M8)
71	0131F00027	BLOWER MOTOR, 1/3HP, 4SP, 6PL (M2, M4)
81	M0250558	TC SCREW (QTY 3)
91	1815817	CONTROL MOUNT PANEL
101	0130F00038	PRIMARY LIMIT - LT BLUE 120°

Expanded Model Nomenclature

M1 - AMH80403ANBA
M2 - AMH80403ANBB
M3 - AMH80403AXBA
M4 - AMH80403AXBB
M5 - AMH80603ANBA
M6 - AMH80603ANBB
M7 - AMH80603AXBA
M8 - AMH80603AXBB
M9 - AMH80604BNBA
M10 - AMH80604BNBB
M11 - AMH80604BXBA
M12 - AMH80604BXBB
M13 - AMH80803BNBA
M14 - AMH80803BNBB
M15 - AMH80803BXBA
M16 - AMH80803BXBB
M17 - AMH80804BNBA
M18 - AMH80804BNBB
M19 - AMH80804BXBA
M20 - AMH80804BXBB
M21 - AMH80805CNBA
M22 - AMH80805CNBB
M23 - AMH80805CXBA
M24 - AMH80805CXBB
M25 - AMH81005CNBA
M26 - AMH81005CNBB
M27 - AMH81005CXBA
M28 - AMH81005CXBB
M29 - AMH81205DNBA
M30 - AMH81205DXBA